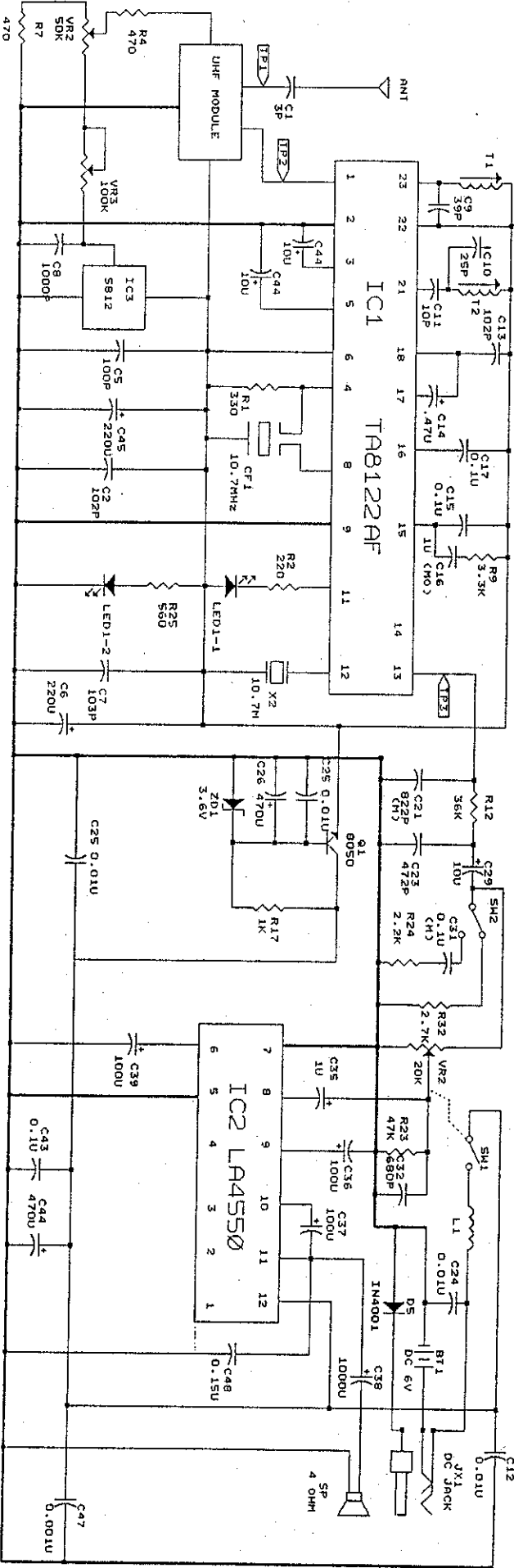


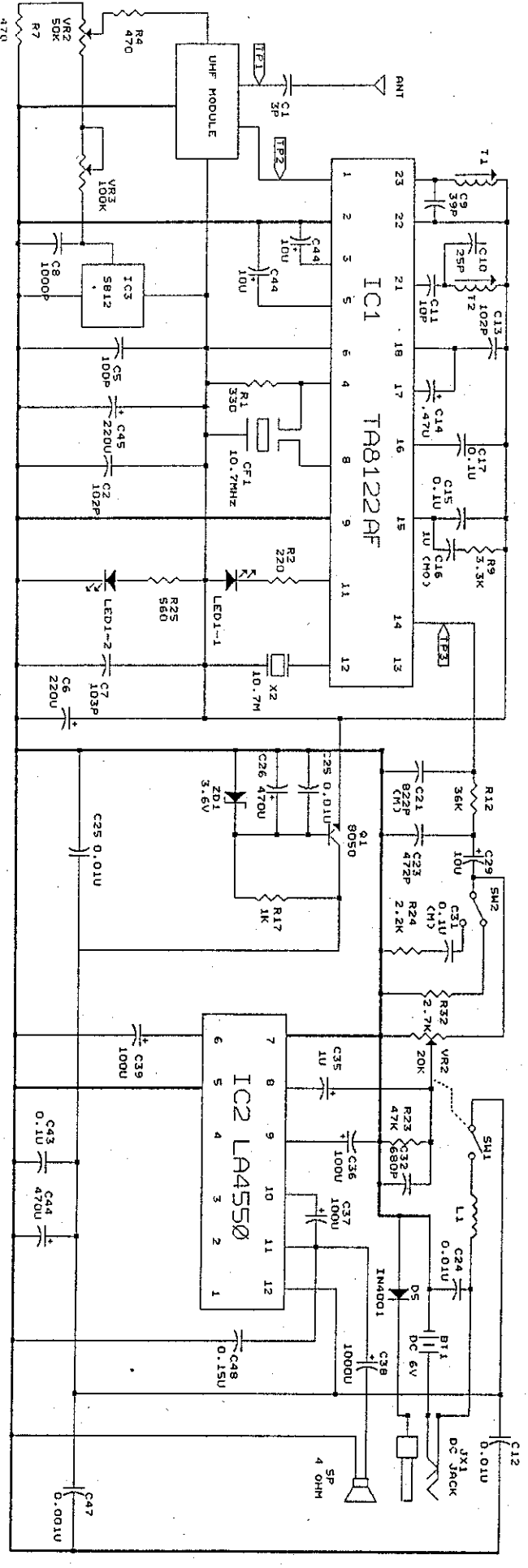
SCHEMATIC OF RS962 R



UNI-ART PRECISE PRODUCTS LTD.
CONFIRMED
 31 MAY 2000
 Issued By *D. J. ...*
 DEVELOPMENT ENGINEERING DEPT. (GZ)

ISSUE NO.	DESCRIPTION/REVISION	CHK. BY	APP. BY	DATE
DESCRIPTION: SCHEMATIC OF RS962 R GENERAL TOLERANCE: ±0.1 ANGULAR: UNLESS OTHERWISE SPEC.				
MATERIAL: FINISH: DRAWN BY: <i>D. J. ...</i> CHECKED BY: <i>D. J. ...</i> DATE: <i>31 MAY 2000</i>				

SCHEMATIC OF RS962 L



UNI-ART PRECISE PRODUCTS LTD.
CONFIRMED
 31 MAY 2000
 Issued By *[Signature]*
 DEVELOPMENT ENGINEERING DEPT. (GZ)

UNI-ART PRECISE PRODUCTS LTD.	PROJECT NAME
DESCRIPTION:	SCALE:
SCHEMATIC OF RS962 L	REV
MATERIALS:	DATE
FINISH:	ISSUE NO.
GENERAL TOLERANCE:	DESCRPTION/REVISION
LINEAR: ±0.1	CHK. BY
ANGULAR: UNLESS OTHERWISE SPEC.	APP. BY
UNLESS OTHERWISE SPEC.	DATE