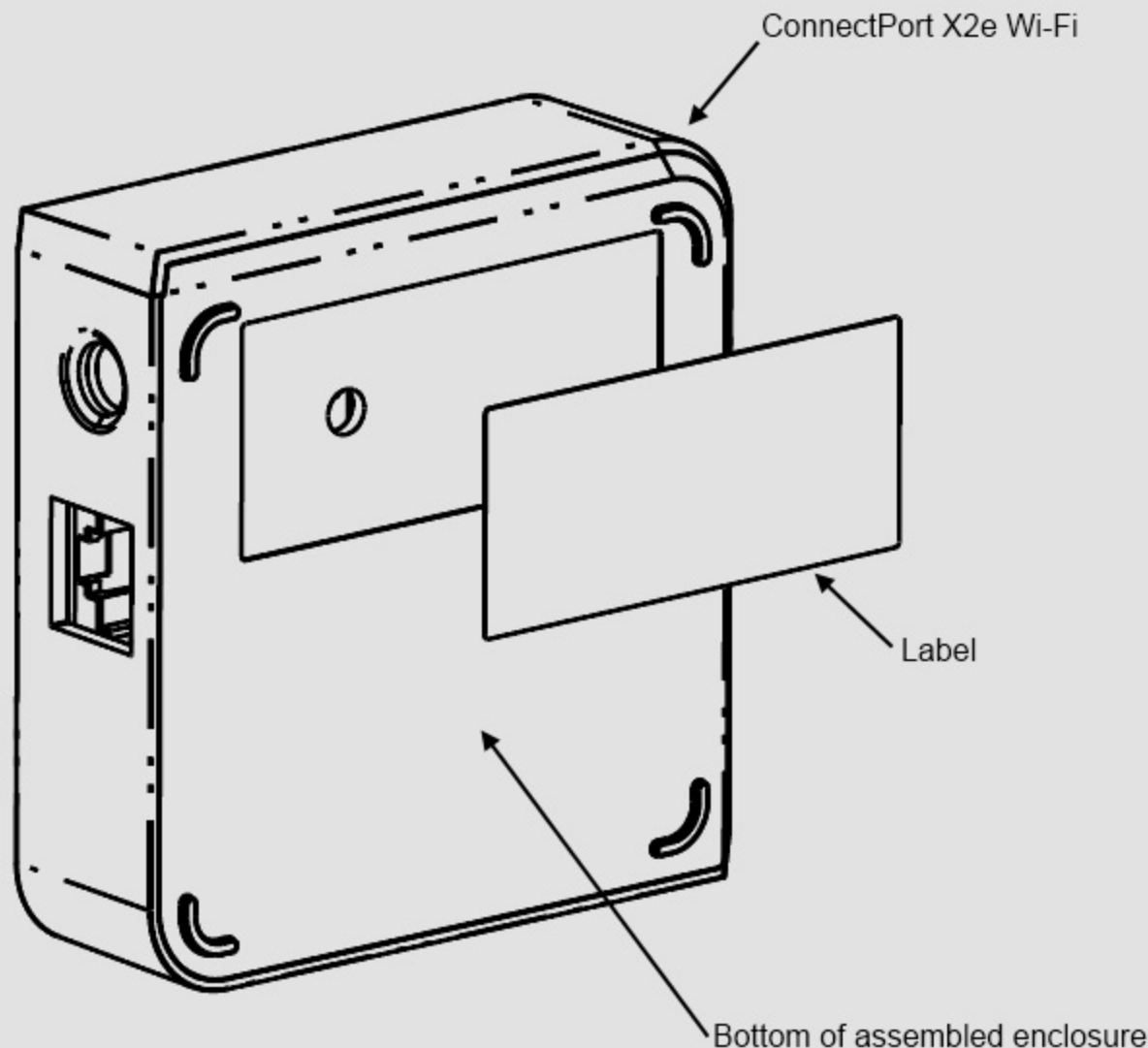


Digi International
Model: ConnectPort X2e Wi-Fi
FCC ID: MCQ-X2EWIFI IC: 1846A-X2EWIFI



Sample label with standard XBee module:



Sample label with XBee PRO module:



Material: Thermal transfer film, polyester coated
Adhesive: Permanent tackified acrylic adhesive
Background color: Silver
Text color: Black