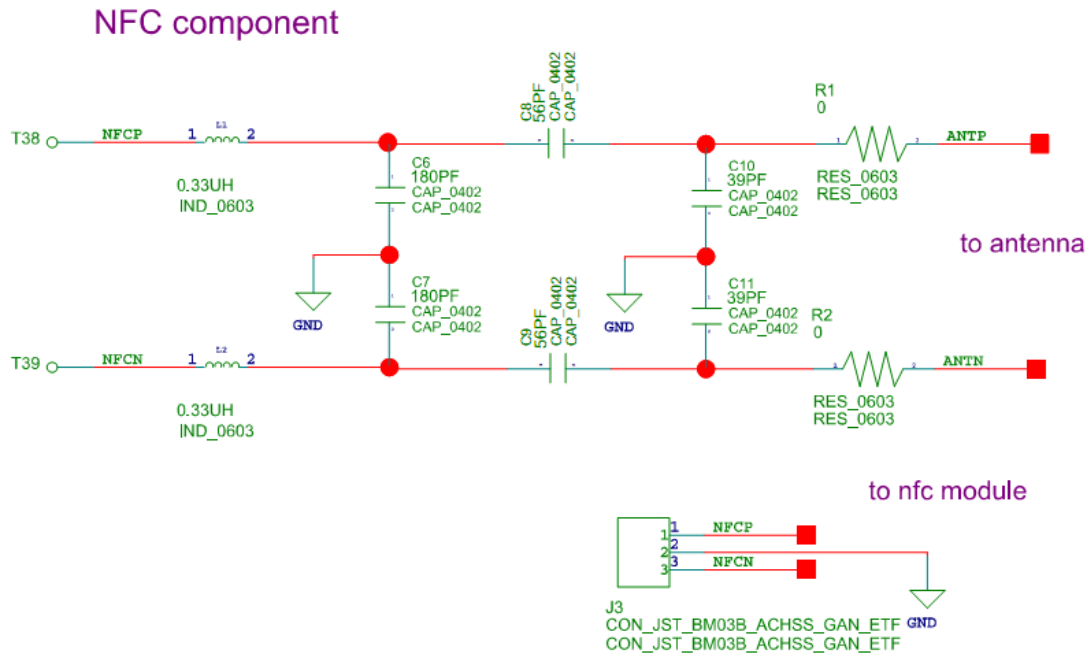


3. Schematics:

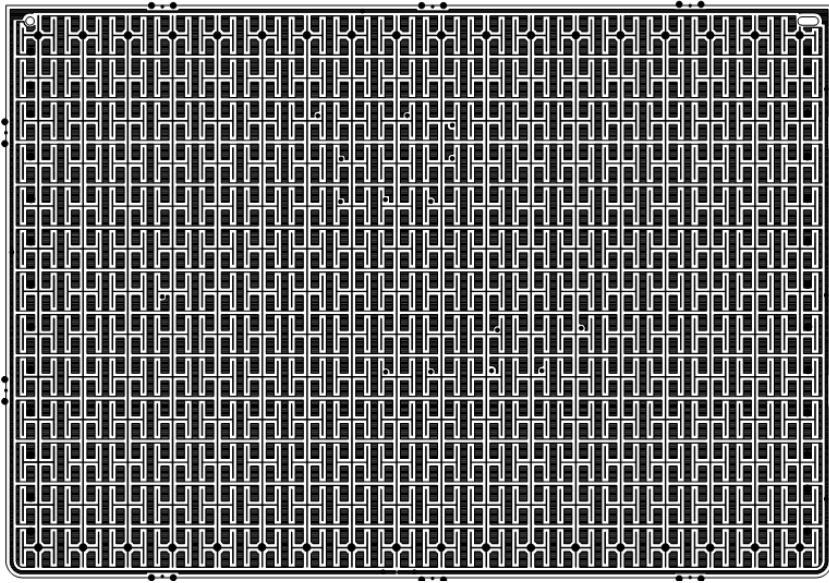


TM-02751-001, LENOVO T SERIES + NFC

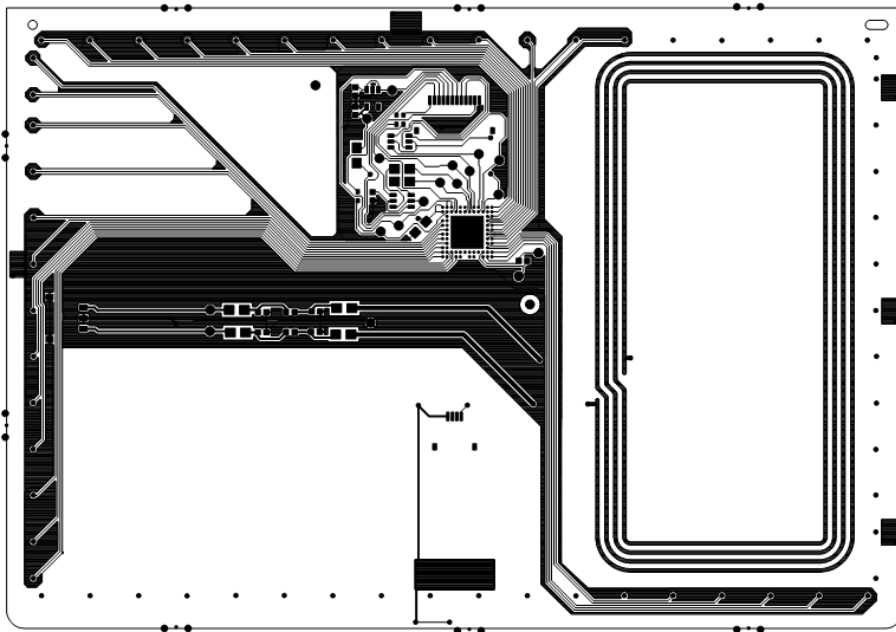
4. BOM

Part	Description	Quantity
L1, L2	0603 330nH +/- 5% 450mA	2
C6, C7	0402 180pF +/-1% 50V	2
C10, C11	0402 39pF +/-1% 50V	2
C8, C9	0402 56pF +/-1% 50V	2
R1, R2	0402 0ohm +/-1% 50V	2
ANTENNA connector	BM03B-ACHKS-GAN-TF(HF)	1
Antenna PCB	TM-02751-001	1
Antenna Cable	J13-03-001(HF)	1
FERRITE SHEET	FERRITE-SHEET, TDK, IBF-10	1

5. PCB Layer



Top layer



Bottom layer