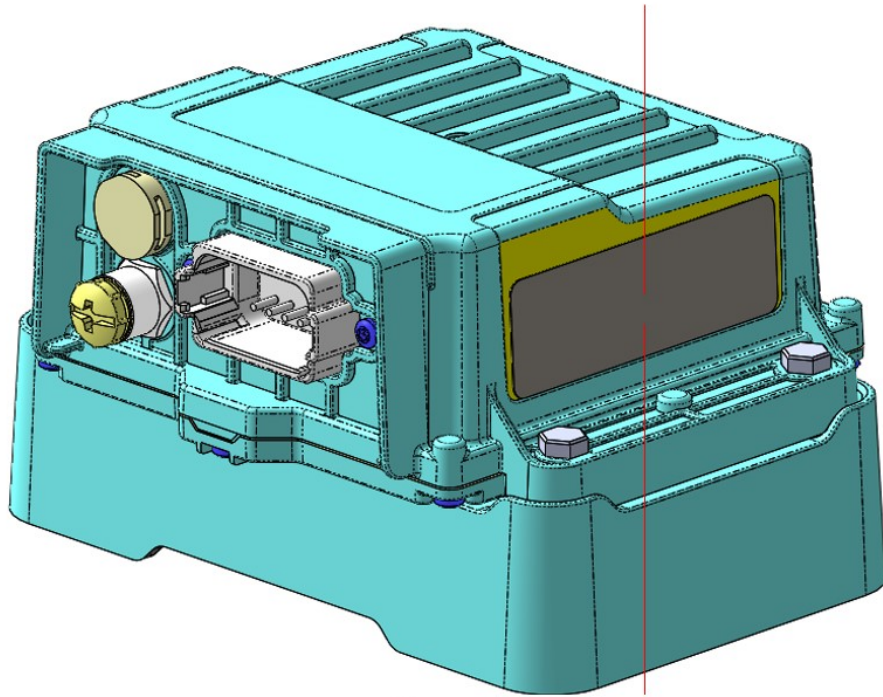


TP2 Product Label Position

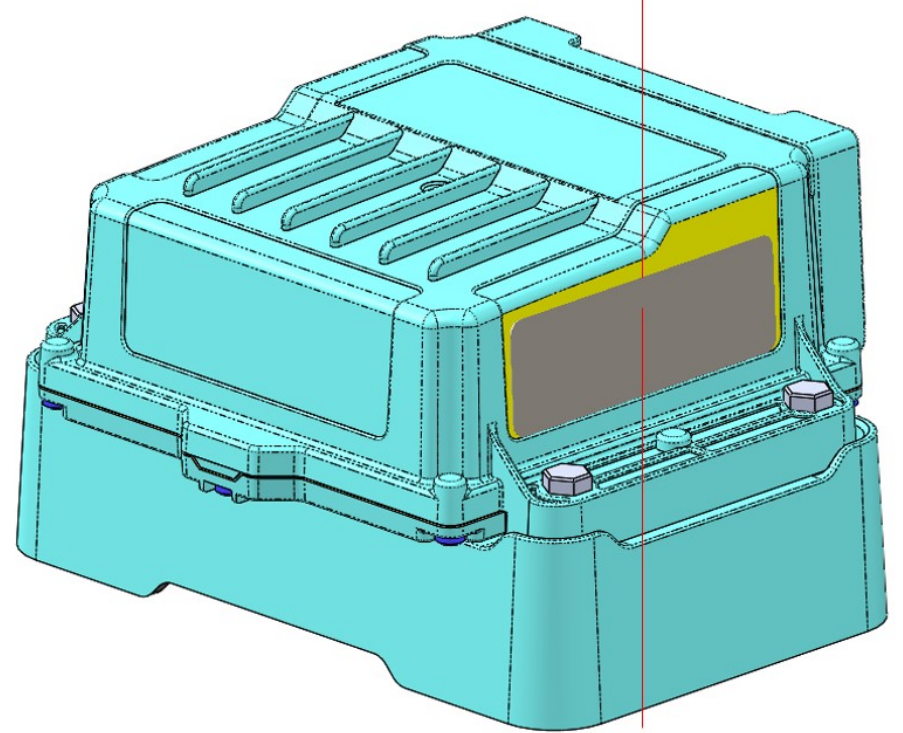
Product Label position



Model : PCI-TP2	Modelo : PCI-TP2V2	2D Code
MCN : P22-TP002	ICC ID : XXXXXXXXXXXXXXXXXX	
SN : XXXYYWnnnnnn	FCC ID : LY5-PCITP2V2	
IMEI : XXXXXXXXXXXXXXXXX	IC : 5113A-PCITP2V2	
Input : DC 12V --- 0.5A or 24V --- 0.25A	Class : CAN ICES-3(A)/NMB-3(A)	
MADE IN INDONESIA		

Product label

CE Label position



This device complies with part 15 of the FCC Rules. Operation is subject to the following two conditions: (1) This device may not cause harmful interference, and (2) this device must accept any interference received, including interference that may cause undesired operation.

EU contact address : LHP Europe Srl,
Via del Guercino IT/A, San Giovanni in
Persi, Ceto, BO 40017, Italy

PCI-Peak Limited, 31 Pioneer Road North, Singapore 62475

CE FCC