

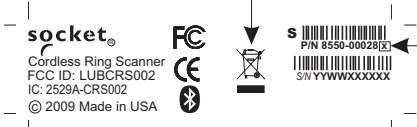
The information contained on this document is proprietary of Socket Mobile, Inc any distribution, duplication, or manipulation of this document is prohibited without written consent from Socket Mobile, Inc.

**Notes: Unless Otherwise Specified**

- 1.) Reference drawing: 6510-00067 for die cut and material specifications.
- 2.) For font types see below font size at vendor discretion. Vendor must choose a size that is clear and readable by the human eye.
- 3.) Artwork should be centered top to bottom and left to right on the label. See below for reference of placing the artwork in relationship to the label.
- 4.) Artwork of the label should be oriented and laid out like Detail A.

Revision placement holder.  
**Placement holder should be replaced with the Revision letter provided by Socket Mobile. See below for barcode info.**

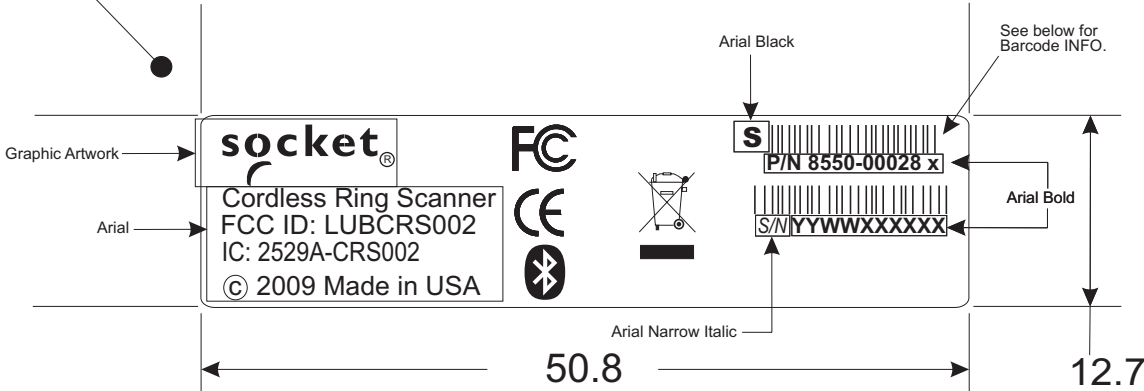
See page 2 for dimension specification for this symbol.



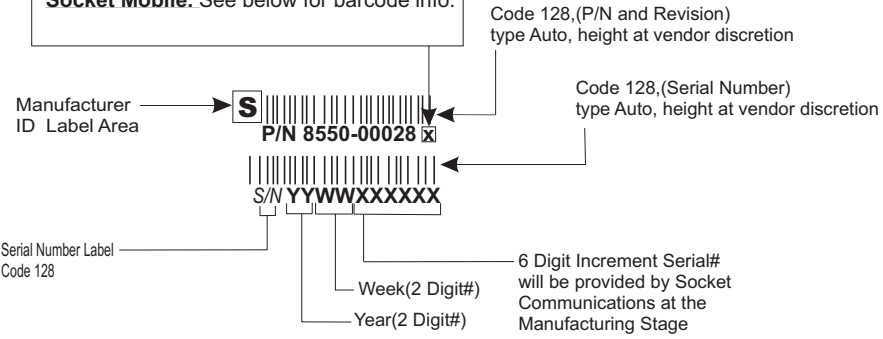
DETAIL A  
 SCALE 1:1  
 REF. ONLY

Place tolerance of the printing +/- 0.3  
 To be printed in NMP production using (min. 300DPI) thermal transfer printer

ORIENTATION MARKER



Revision placement holder.  
**Placement holder should be replaced with the Revision letter provided by Socket Mobile. See below for barcode info.**



DRAWING NOT TO SCALE  
 ALL DIMENSION IN mm



39700 Eureka Drive  
 Newark, CA. 94560  
 PN: (510)933-3000  
 FX: (510)933-3030

Rev.	Description	Date	Approval
Sheet 1 of 2	Original Scale 1 to 1	Drawn	James Rebello 01/26/09
	Original Size A	ENGR	Tom Noggle 01/26/09
	NMP Code	CHK	Tom Noggle 01/26/09
		MKTG	Samantha Chu 01/26/09

Drawing Title	MFG. INSTRUCTION, DWG. CRS3, WRIST UNIT LABEL	Drawing Number	6530-00258	Approved / Date	02/03/09	Rev	A
---------------	---	----------------	------------	-----------------	----------	-----	---

## Design of Marking (Alternative 2)



Crossed-out wheeled bin required according to Art. 10.3 of Directive 2002/96/EC, described in Annex IV

Marking for identification of placing on the market as of 13 August 2005

- The bar is the symbol for marking of new waste (no place holder)
- The bar has to be used in conjunction with the crossed-out wheeled bin. Dimensional relationship shall be maintained when the size is altered. (The bar shall be  $h=0,3a$  or at least 1 mm in height)

## WEEE Symbol

DRAWING NOT  
TO SCALE

Drawing Title CRS3, WRIST UNIT LABEL	Drawing Number 6530-00258	SHEET # 2 of 2	Rev A
---	------------------------------	-------------------	----------