
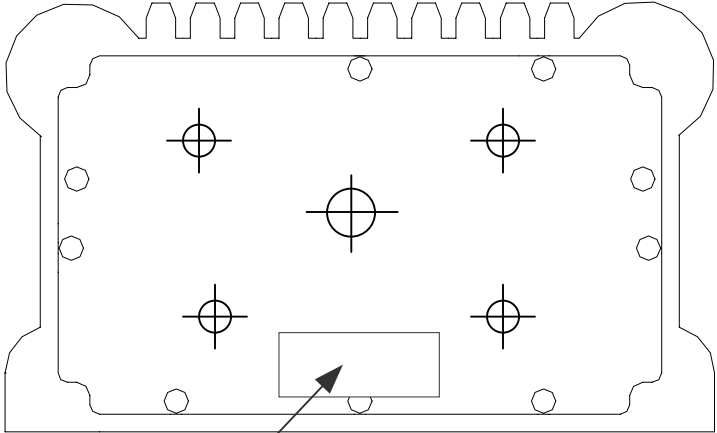



ANNEX 7(b) - FCC & CANADA ID LABEL LOCATION

REV.	ECN	DESCRIPTION	DATE	BY	 8H073A25 SHT 1 & FINAL	
1		Arrow	Mar 01			
					TITLE	
					FCC/IC LABEL LOCATION	
					F.C.F.O.	SCALE:
<p>EUT REAR CHASSIS</p> <p>TOP</p>  <p style="text-align: center;">BOTTOM</p> <p style="margin-left: 100px;">FCC/IC Label 2L073A04</p>						
DRAWN BY AJK 06-Feb-2001		CHECKED BY				8H073A25 SHT 1 & FINAL