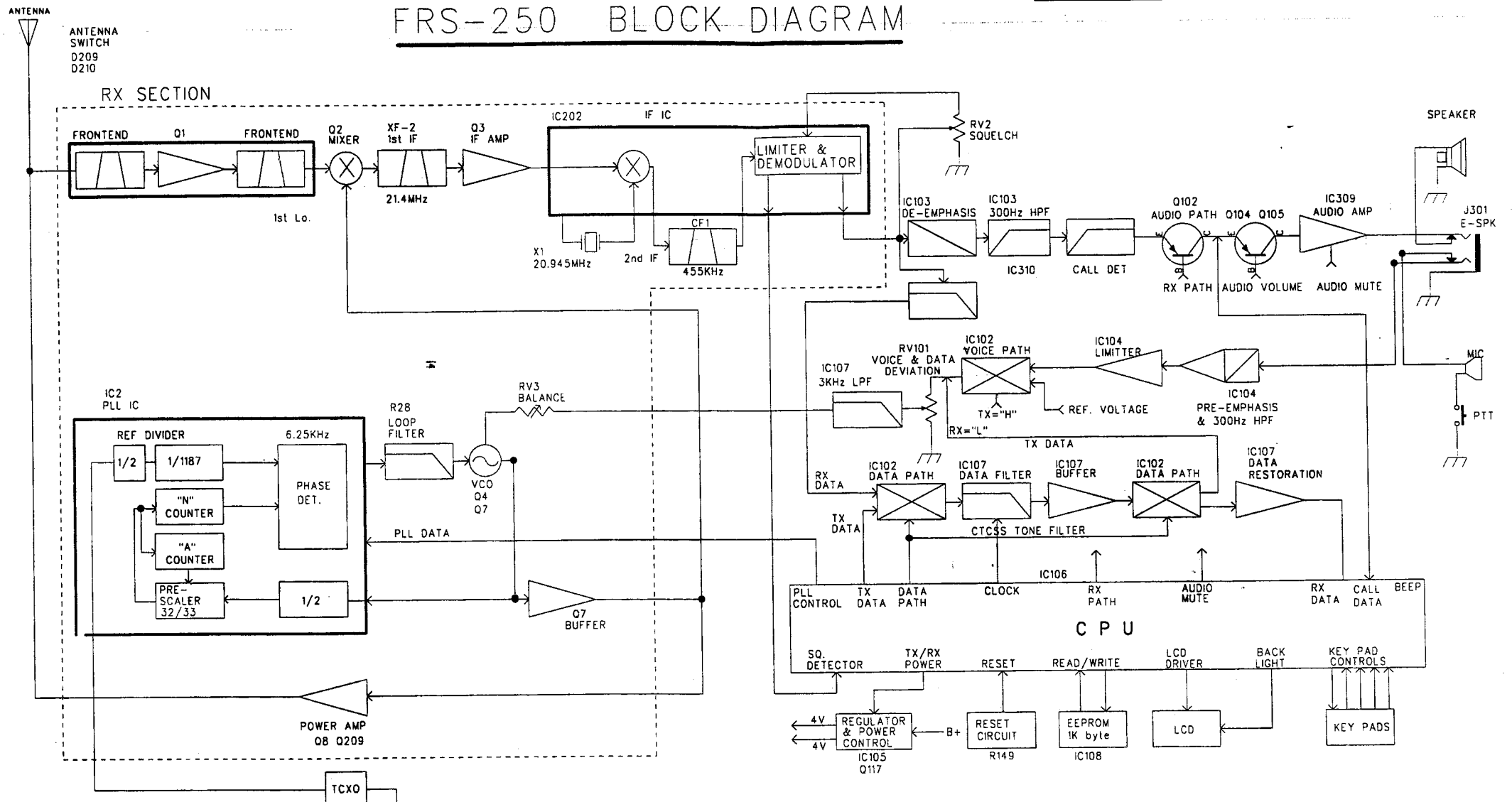


FRS-250 BLOCK DIAGRAM



TOLERANCES UNLESS OTHERWISE SPECIFIED		NAME OR TITLE	maxon MAXON ELECTRONICS CO., LTD. #459-23, KASAN-DONG KUMCHON-KU, SEOUL, KOREA	
ANGULAR	N. A	BLOCK DIAGRAM		
DECIMAL	N. A	FIRST USED IN ASSEMBLY	CB	MATERIAL
		FIRST MADE FOR		END FINISH
		CONTRACT OR CUSTOMER NO.	FRS-250	DO NOT SCALE DRAWING
				DIMENSIONS ARE IN MM. INCH
DRAWN	CHECKED	CHECKED	APPROVED	SCALE
S. Y. PARK				N/A
				DRAWING PART NO.
				3745
				REV
				1.0

HS-2501cc: sch-1 - Thu Oct 21 14:47:05 1999