

LINE DRAWING



MODEL NO.
FF2115HT

CONFORMS TO ANSI/UL STD. 1950

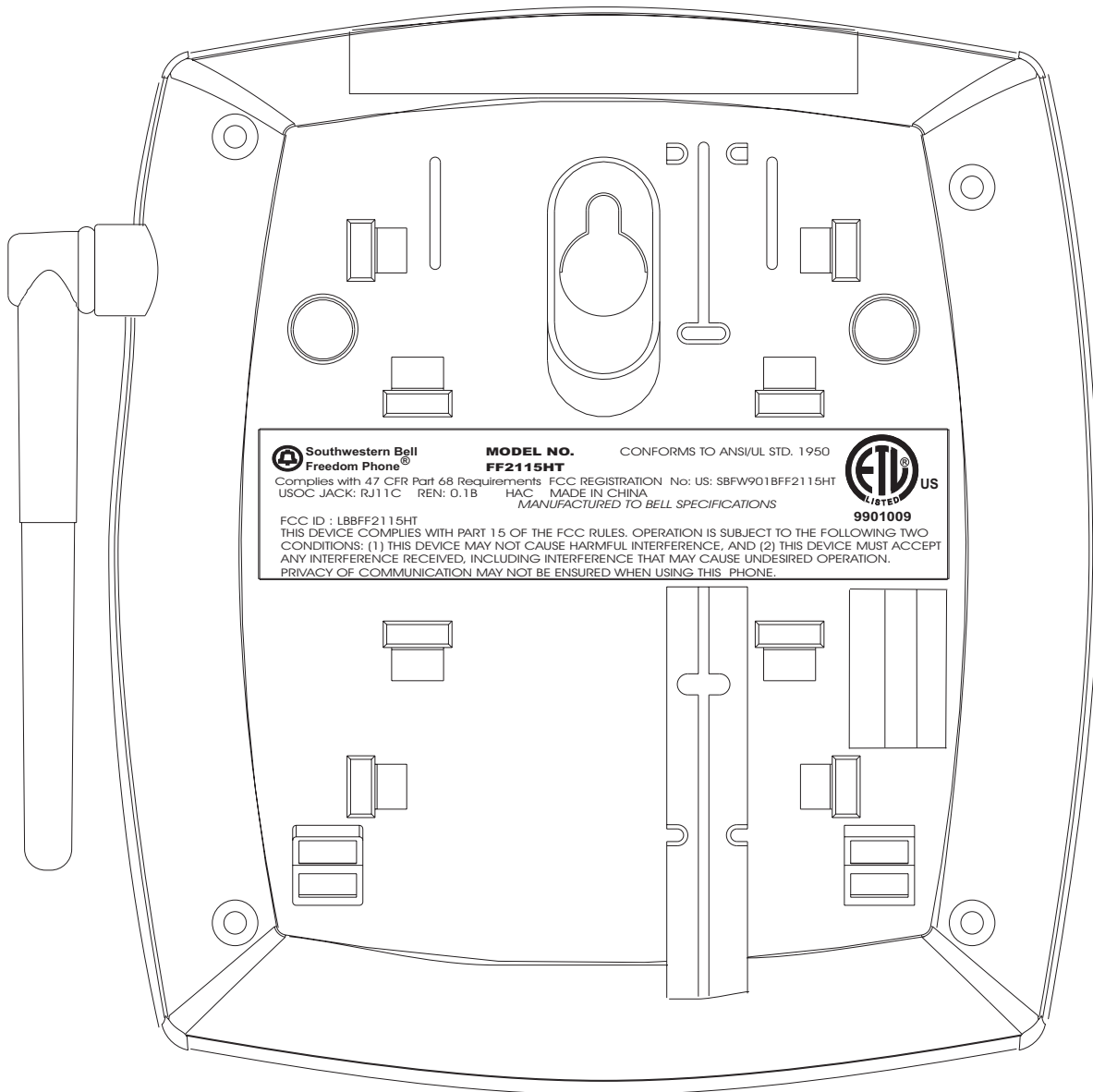


Complies with 47 CFR Part 68 Requirements FCC REGISTRATION No: US: SBFW901BFF2115HT
USOC JACK: RJ11C REN: 0.1B HAC MADE IN CHINA
MANUFACTURED TO BELL SPECIFICATIONS

9901009

FCC ID : LBBFF2115HT

THIS DEVICE COMPLIES WITH PART 15 OF THE FCC RULES. OPERATION IS SUBJECT TO THE FOLLOWING TWO CONDITIONS: (1) THIS DEVICE MAY NOT CAUSE HARMFUL INTERFERENCE, AND (2) THIS DEVICE MUST ACCEPT ANY INTERFERENCE RECEIVED, INCLUDING INTERFERENCE THAT MAY CAUSE UNDESIRABLE OPERATION. PRIVACY OF COMMUNICATION MAY NOT BE ENSURED WHEN USING THIS PHONE.



Southwestern Bell Freedom Phone **MODEL NO. FF2115HT** CONFORMS TO ANSI/UL STD. 1950
Complies with 47 CFR Part 68 Requirements FCC REGISTRATION No: US: SBFW901BFF2115HT
USOC JACK: RJ11C REN: 0.1B HAC MADE IN CHINA
MANUFACTURED TO BELL SPECIFICATIONS

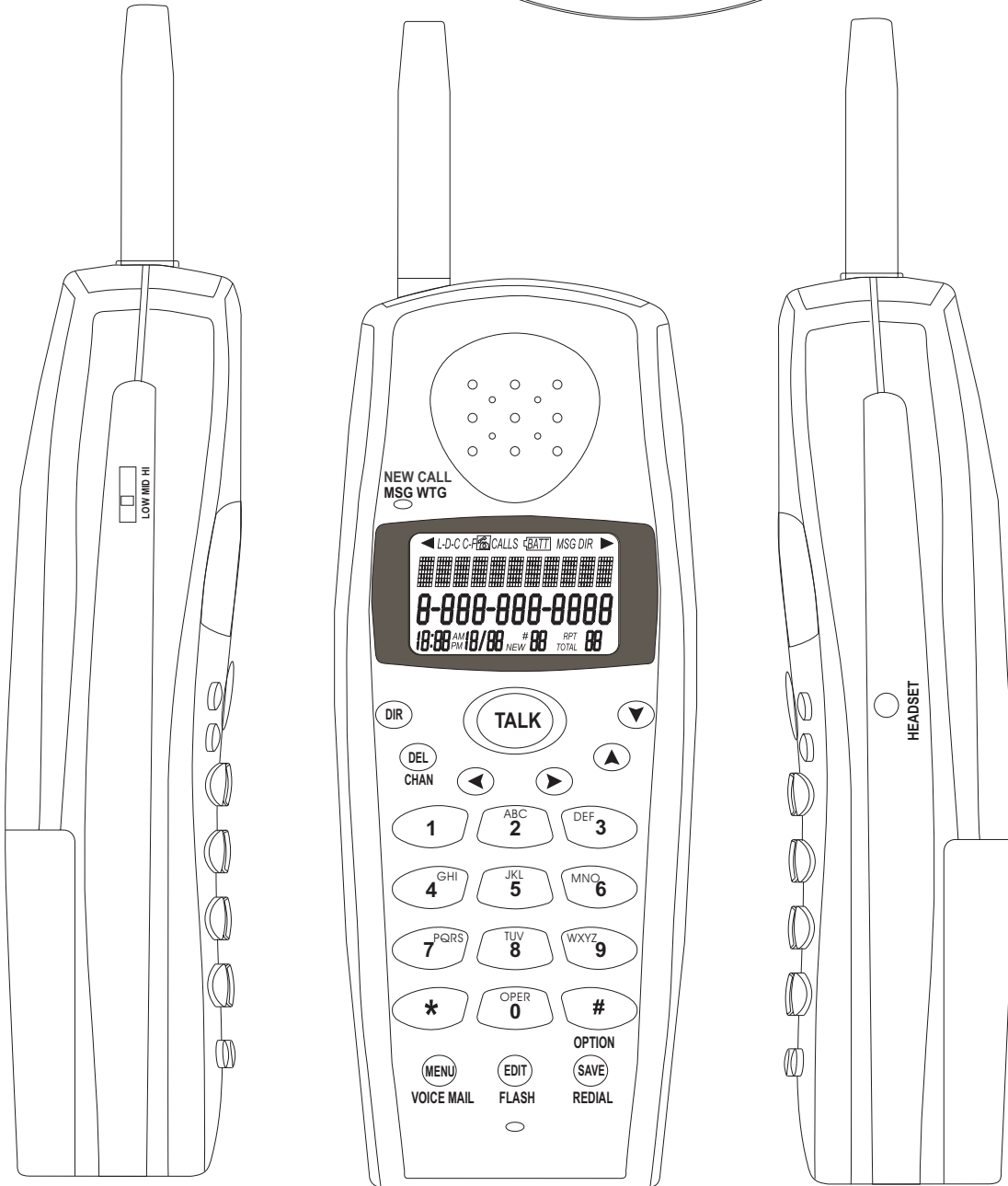
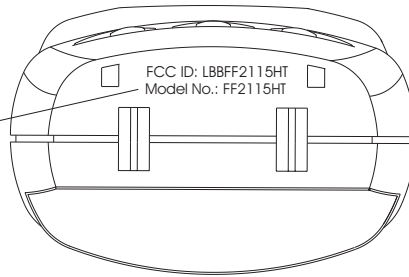
FCC ID : LBBFF2115HT
THIS DEVICE COMPLIES WITH PART 15 OF THE FCC RULES. OPERATION IS SUBJECT TO THE FOLLOWING TWO CONDITIONS: (1) THIS DEVICE MAY NOT CAUSE HARMFUL INTERFERENCE, AND (2) THIS DEVICE MUST ACCEPT ANY INTERFERENCE RECEIVED, INCLUDING INTERFERENCE THAT MAY CAUSE UNDESIRABLE OPERATION. PRIVACY OF COMMUNICATION MAY NOT BE ENSURED WHEN USING THIS PHONE.

LIONDA TECHNOLOGY COMPANY LIMITED
ENGINEERING DEPARTMENT

| | | |
|--|---------------------|----------------------|
| TITLE : FF2115 Base (back & rear view) | | REVISION: |
| DRAWN BY : | CHECKED BY : | APPROVED BY : |
| DATE : August 9, 2002 | DATE : | DATE : |

LINE DRAWING

FCC ID: LBBFF2115HT
Model No.: FF2115HT



LIONDA TECHNOLOGY COMPANY LIMITED
ENGINEERING DEPARTMENT

| | | |
|--|--------------|---------------|
| TITLE : FF2115 handset front and side view | | REVISION : |
| DRAWN BY : | CHECKED BY : | APPROVED BY : |
| DATE : SEPT. 5, 2002 | DATE : | DATE : |