



香港標準及檢定中心
The Hong Kong Standards and Testing Centre Ltd

Date : November 20, 1998

FCC ID: KYISV-283

EXPOSITORY STATEMENT
=====

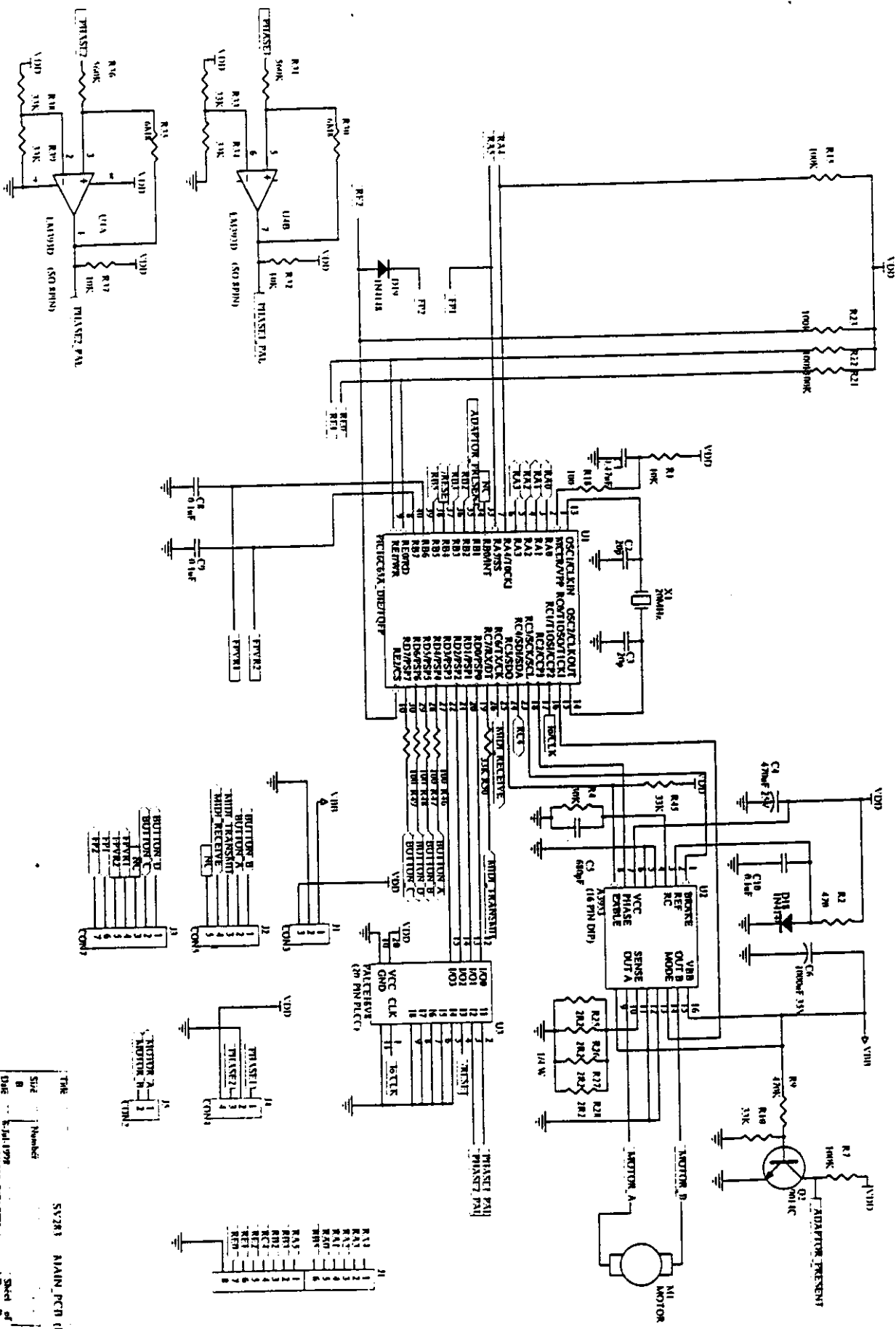
This device under application is Fx Racing Wheel has a 15 pin connector for connection to a personal Computer.

For details of the construction of the Device, please refer to the following documents submitted by the Applicant:

- 1) Circuit Diagram
- 2) PCB Layout



9011M



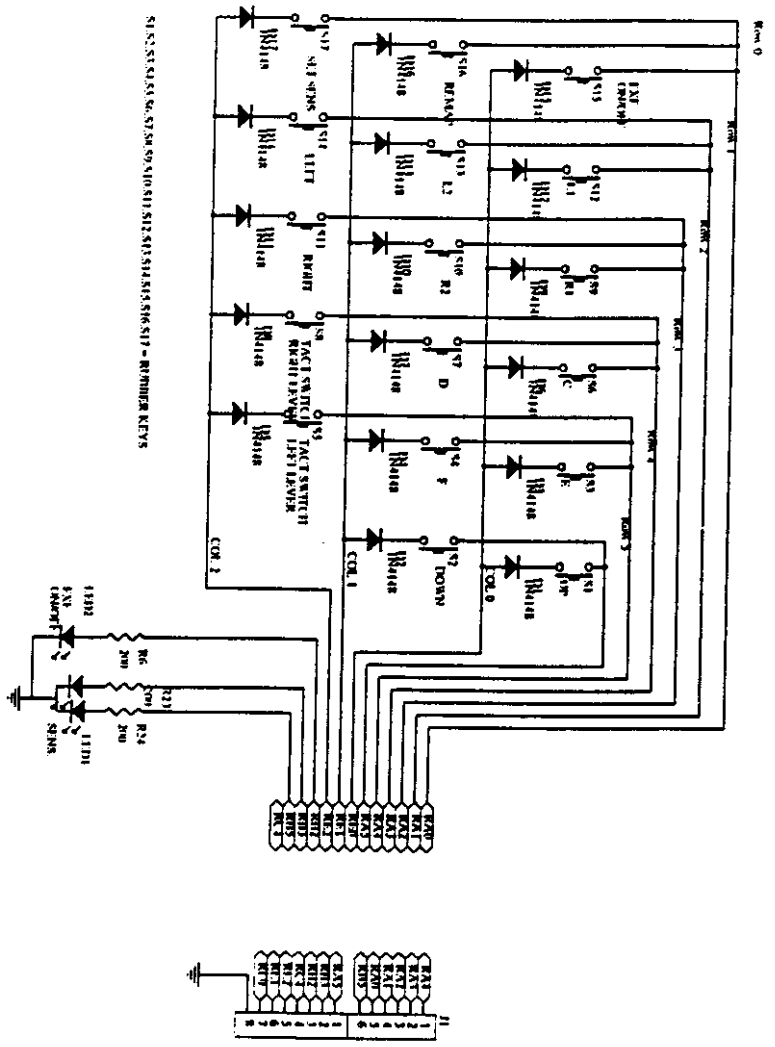
THE
 Size
 B
 Die
 FILE

Number
 S-141197
 C (S-141197) BRS/SCJ

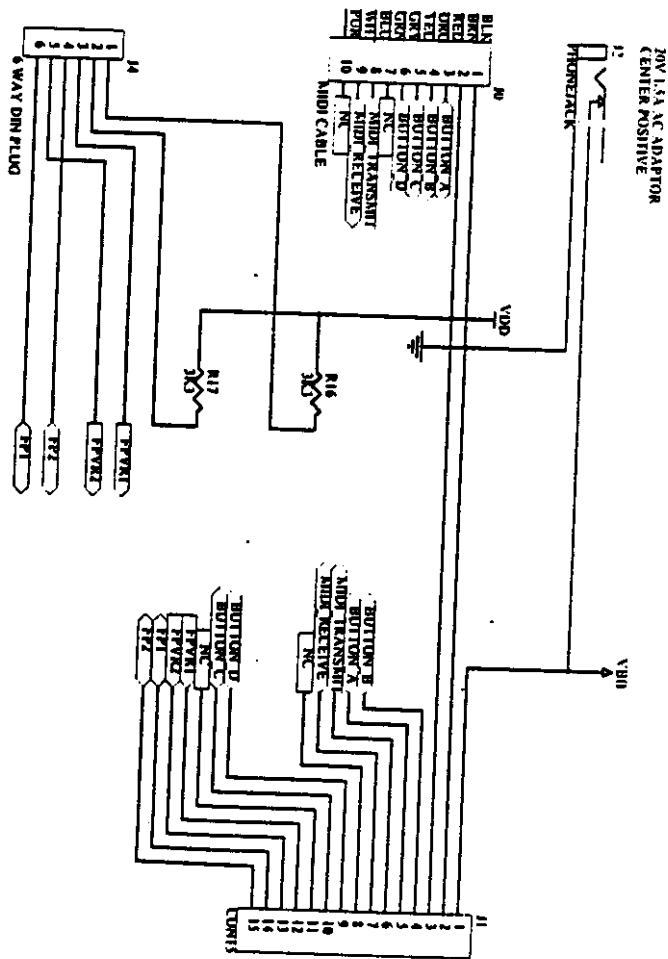
Sheet
 1
 of
 1

Revision
 JASON/PAN
 1/71

WM 1266

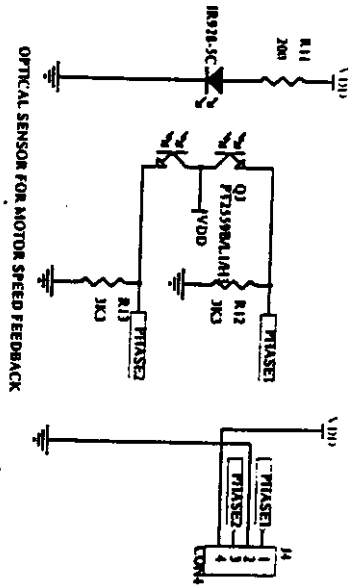


TITLE: SV283 OUTTTON PCB
 NUMBER: 17824000
 DATE: 1/1/80
 DRAWN BY: J. S. [unclear]
 CHECKED BY: [unclear]
 1/1



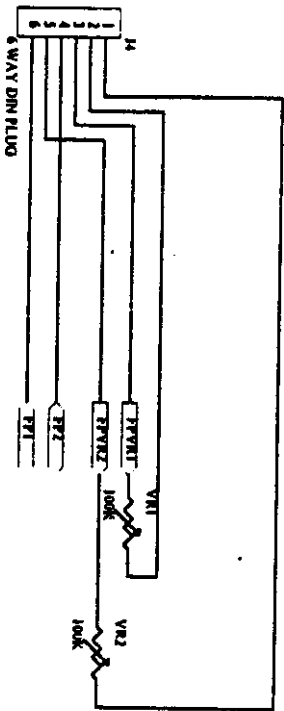
FOOT PEDAL

TITLE		SV283 MIDI PCB	
DATE	21 MAR 1998	DESIGNER	JASON F...
FILE	CSV218V1R FOOT SCH	DRAWN BY	JASON F...
SHEET	1	TOTAL	1



SV283 PHOTO-SENSOR_PCB

DATE	REV	DESCRIPTION	DESIGNED BY
11/15/2018	1	INITIAL PCB	JASON ZHANG
11/15/2018	2	REVISED TO ADD PHOTODIODE	JASON ZHANG



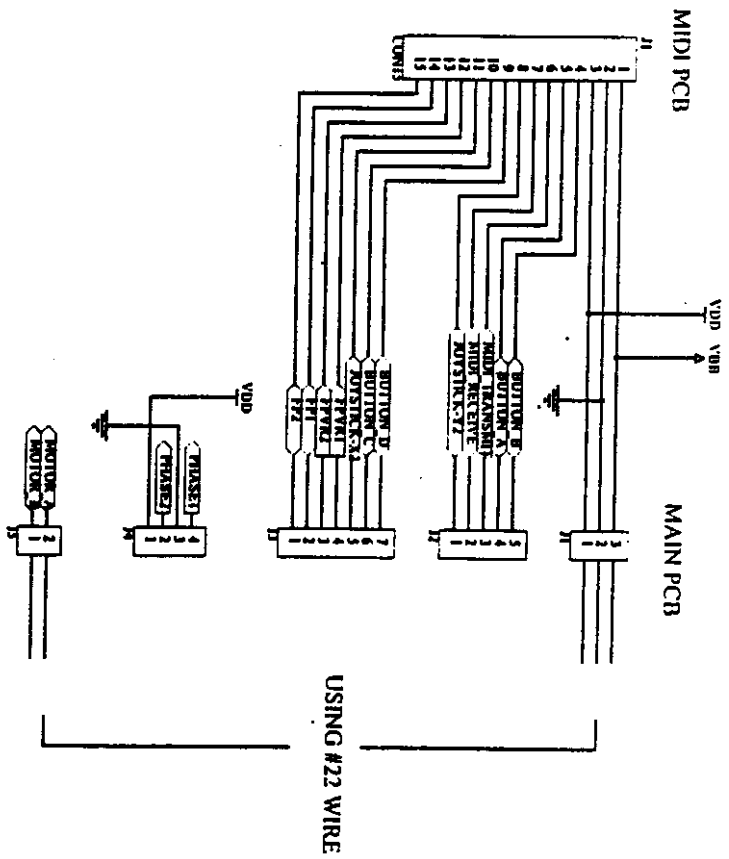
FILE	NUMBER	DATE	DESCRIPTION
100	100	100	100

SWISS FOOT PEDAL

REVISION: CUSTOMER FOOT SCH

DATE: 10/1/83

2113



6041266

DATE	2/27/1998
REV	CISV2A10231015 SCH
DESIGNER	DAVID W. ...
CHECKED	
DATE	
REV	
DESIGNER	
CHECKED	