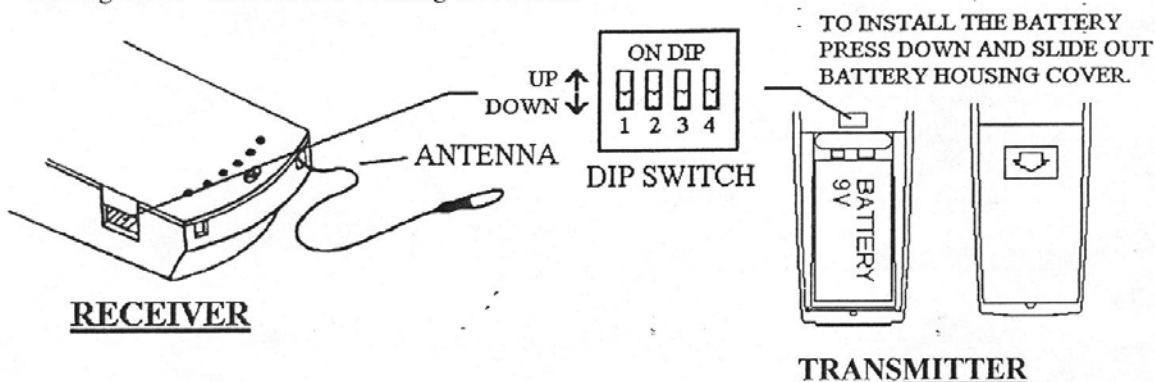


### CODE SWITCH

1. The remote control is operated by a set of transmitter and receiver. Before installing the receiver, set a 4-DIGIT CODE on both units by pushing the dip switches up or down. It is imperative that the code used for both the transmitter and receiver is exactly the SAME, otherwise, the remote control will not work. The code system enables you to operate a second remote control independently. For example, if you have two ceiling fans with 2 sets of remote control, set 2 different codes for each set of transmitter / receiver. Then you can operate each ceiling fan independently.

NOTE : Do Not Use The Code Combinations of 4 "UP"s or 4 "DOWN"s.

2. After setting the code, install a 9-Volt battery (not included) to the transmitter and close the battery housing cover. Proceed with installing the receiver.

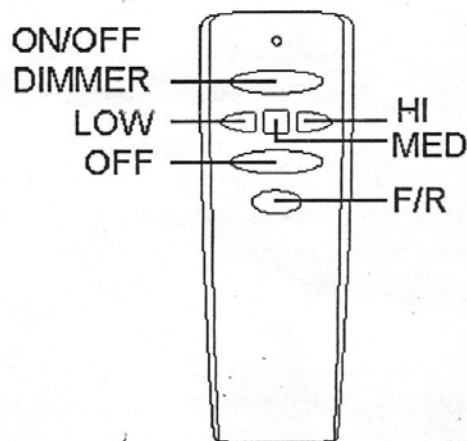


### FUNCTIONS OF TRANSMITTER

#### LIGHT ON/OFF DIMMER:

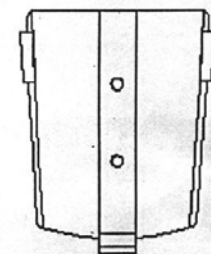
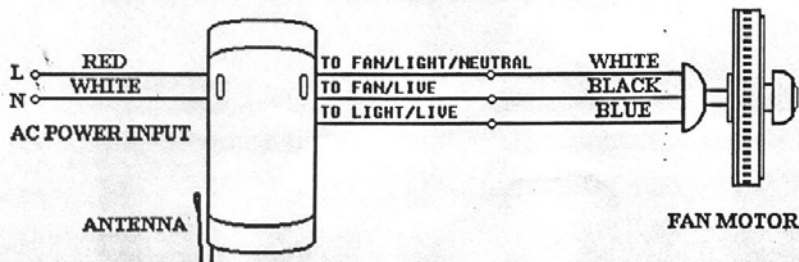
- (1) Press and release immediately to turn on or off the light
- (2) Press and hold to dim or brighten lights to the desired level and release. (Only for the tungsten bulb.)

- HI : Turn on the fan at high speed.
- MED : Turn on the fan at medium speed.
- LOW : Turn on the fan at low speed.
- OFF : Turn off the ceiling fan speed.
- F/R : Press and release to change the airflow direction, upward or downward



*Ceiling Fan Remote Control  
Wiring Connection*

CAUTION: If the Light/Live wire would not be connected with the ceiling fan, the wire must be insulated in case of electric leakage.



Installation of transmitter wall mount holder with two screws.