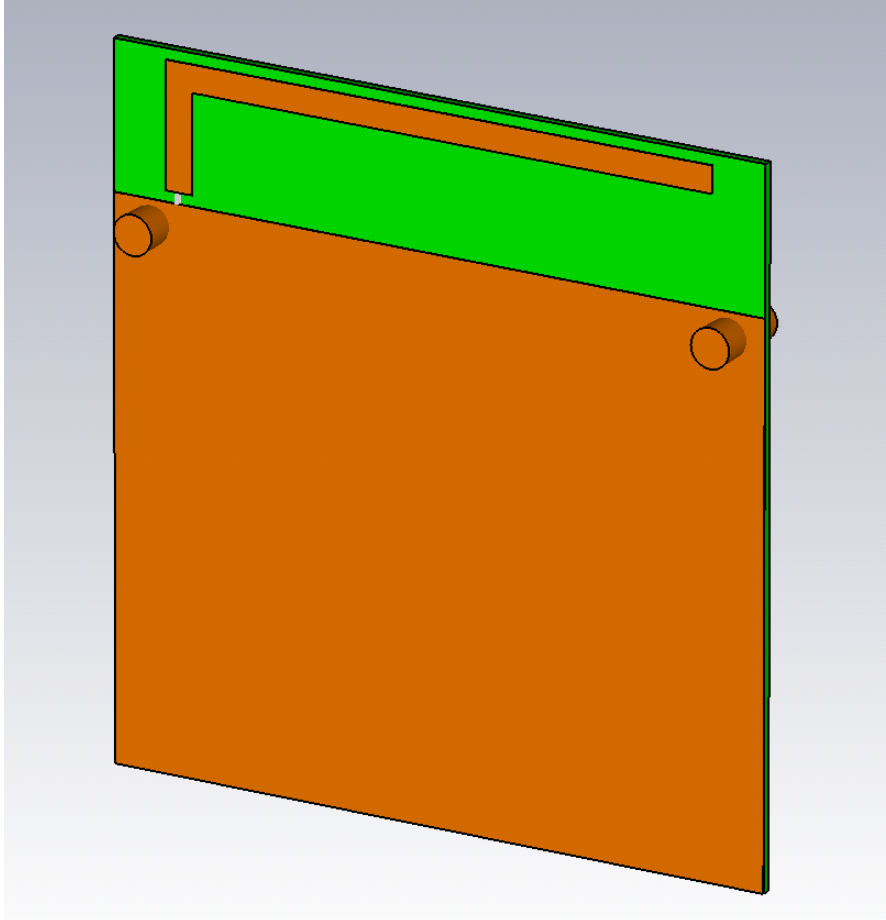


Model: Nevco PCB Trace L Antenna

Trace L Antenna on a 62 mm wide x 64 mm long x 0.813 mm thick PCB with metal screws:

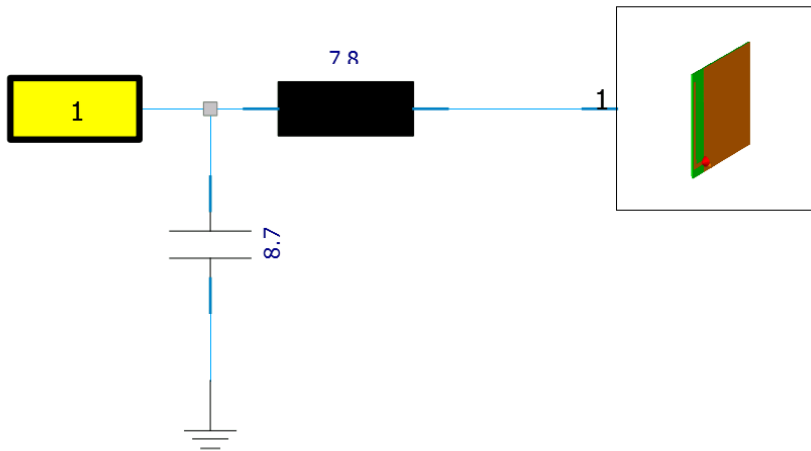


Impedance Matching:

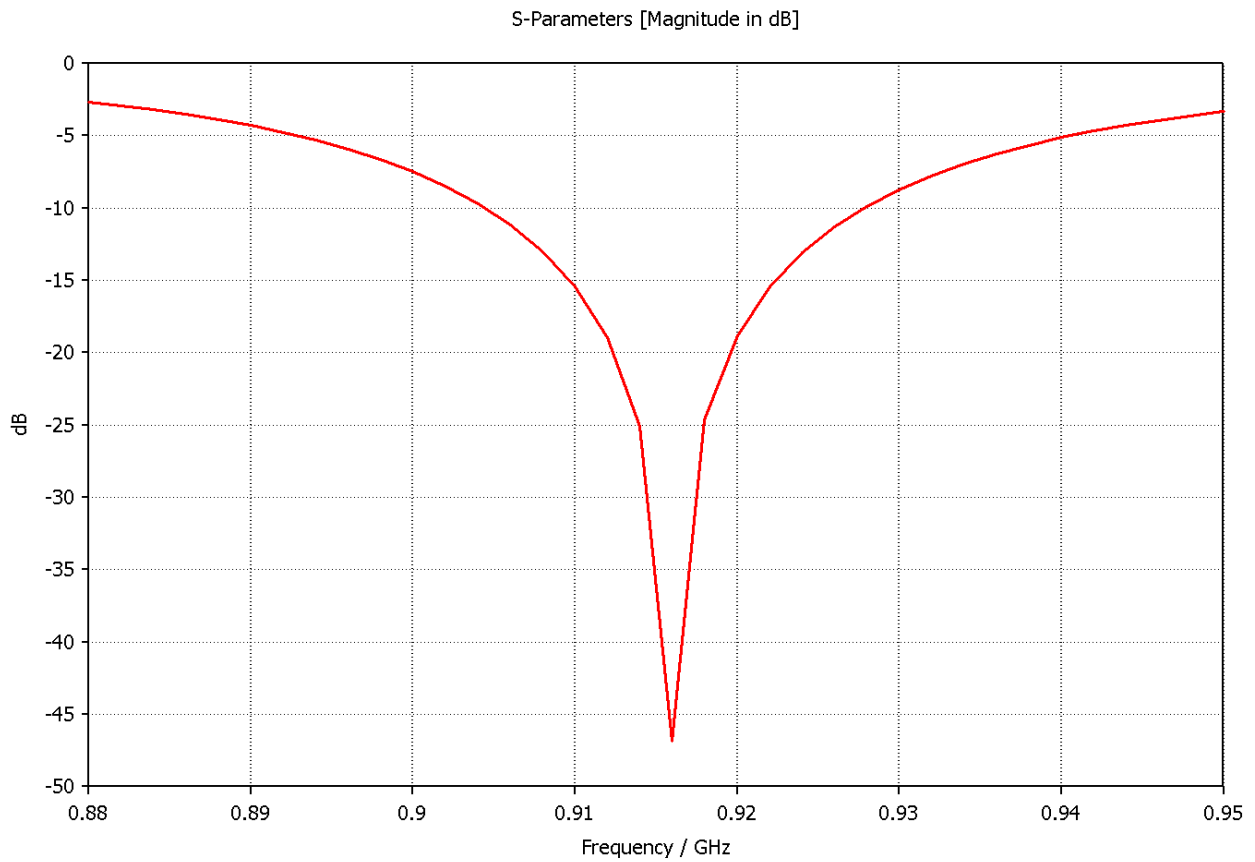
Nevco PCB Trace L Antenna_update

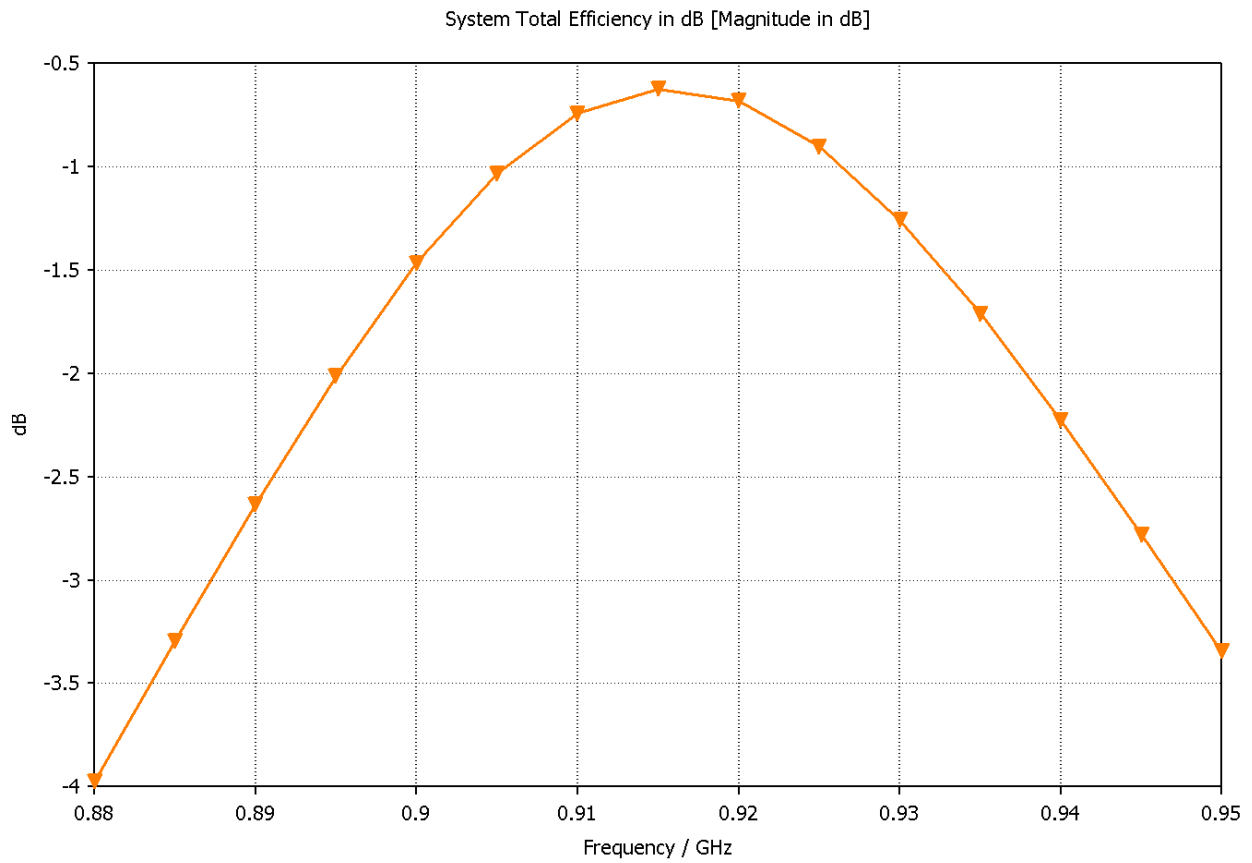
Address: 50 S. Main St. Suite 1100

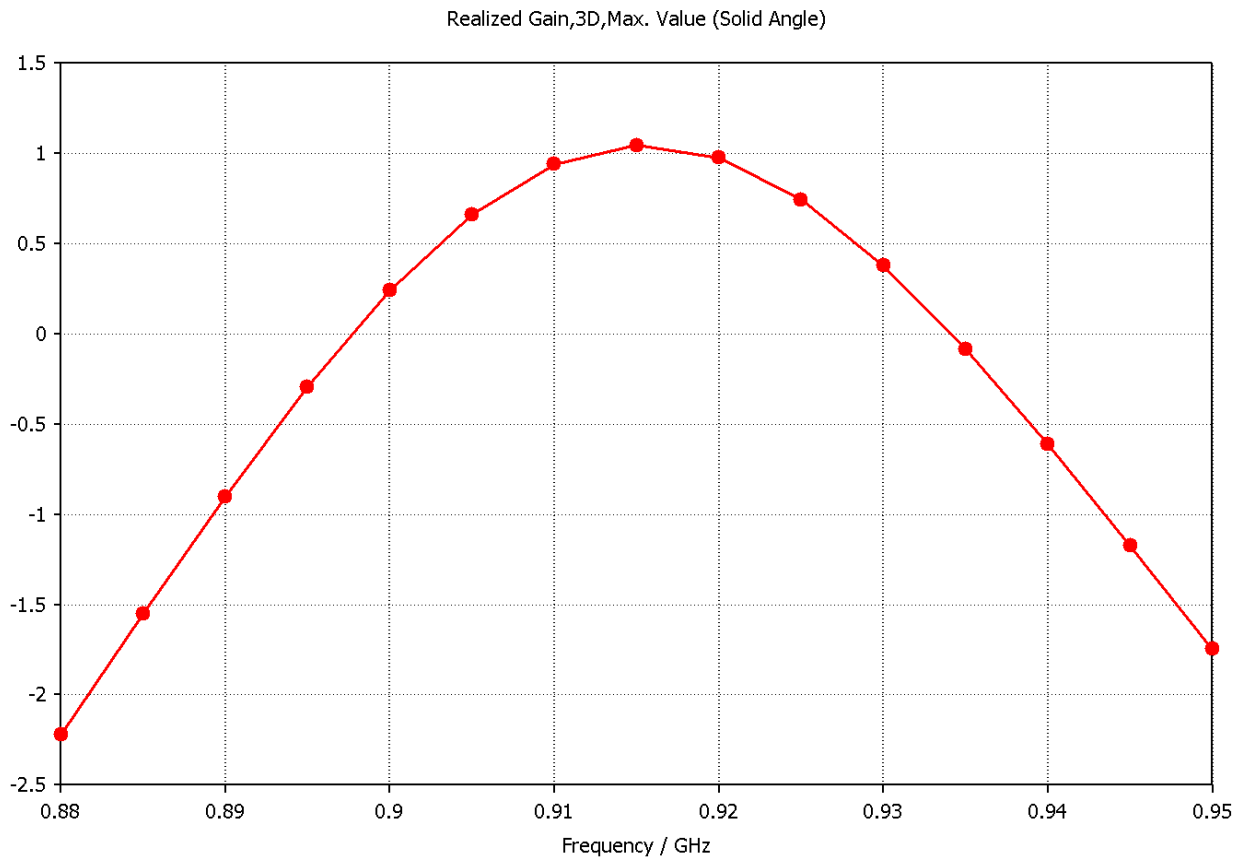
Akron, OH 44308 USA



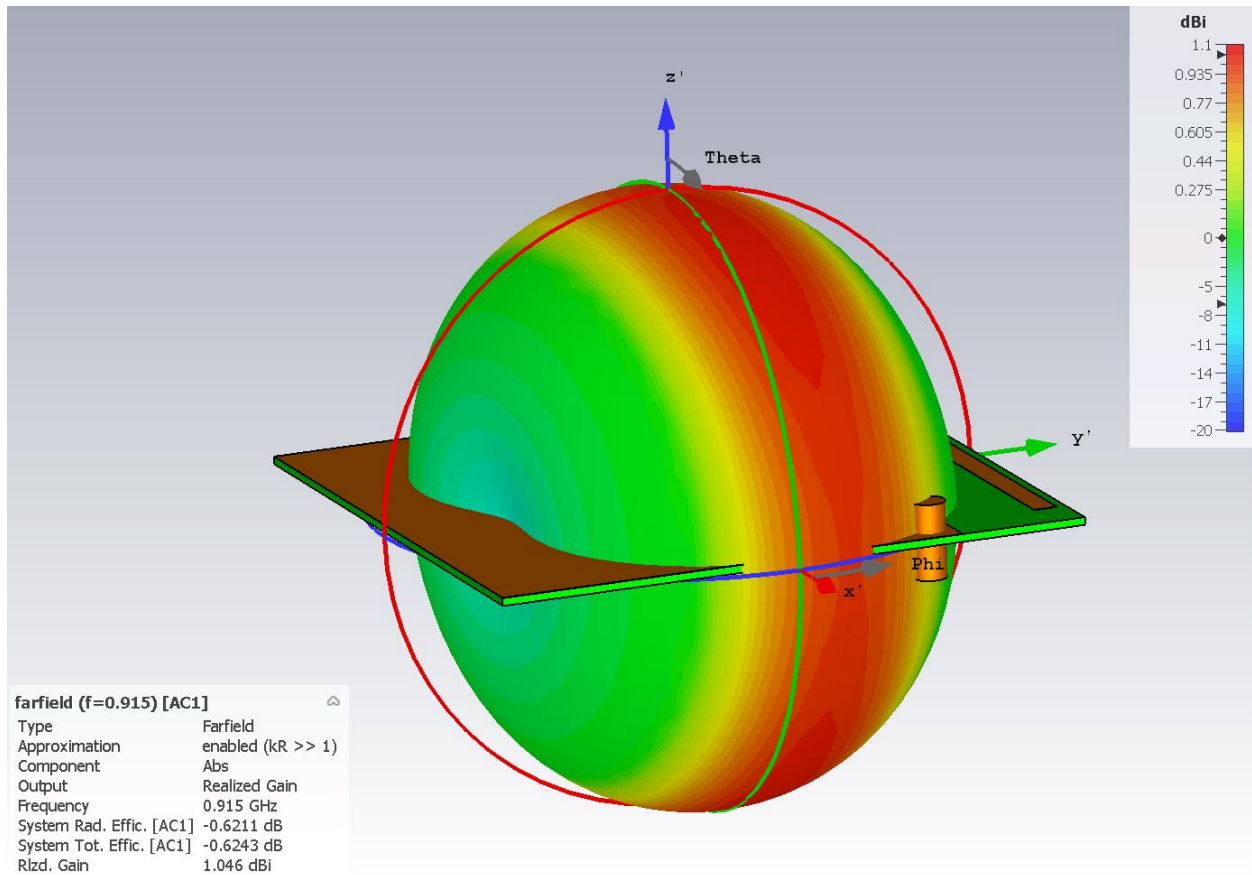
Input Reflection Coefficient:



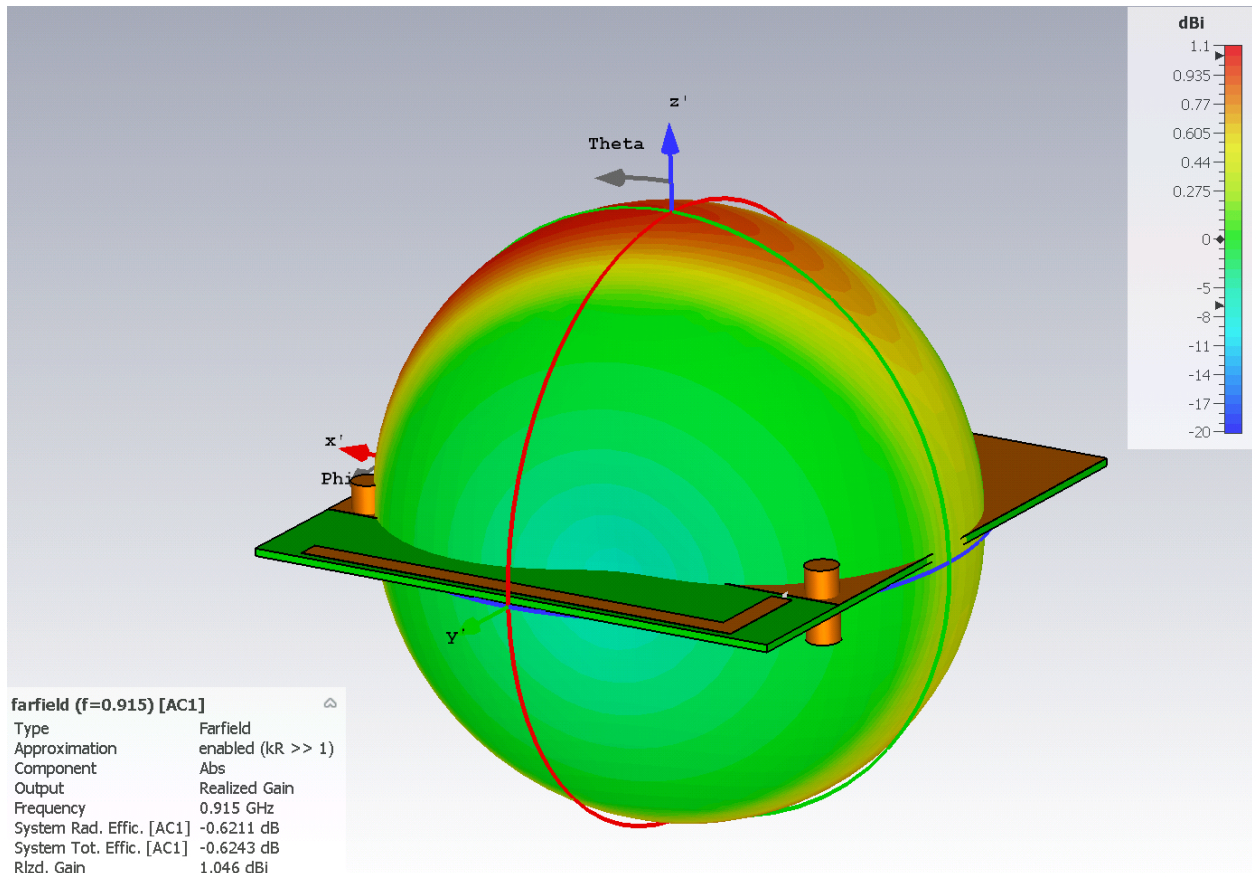




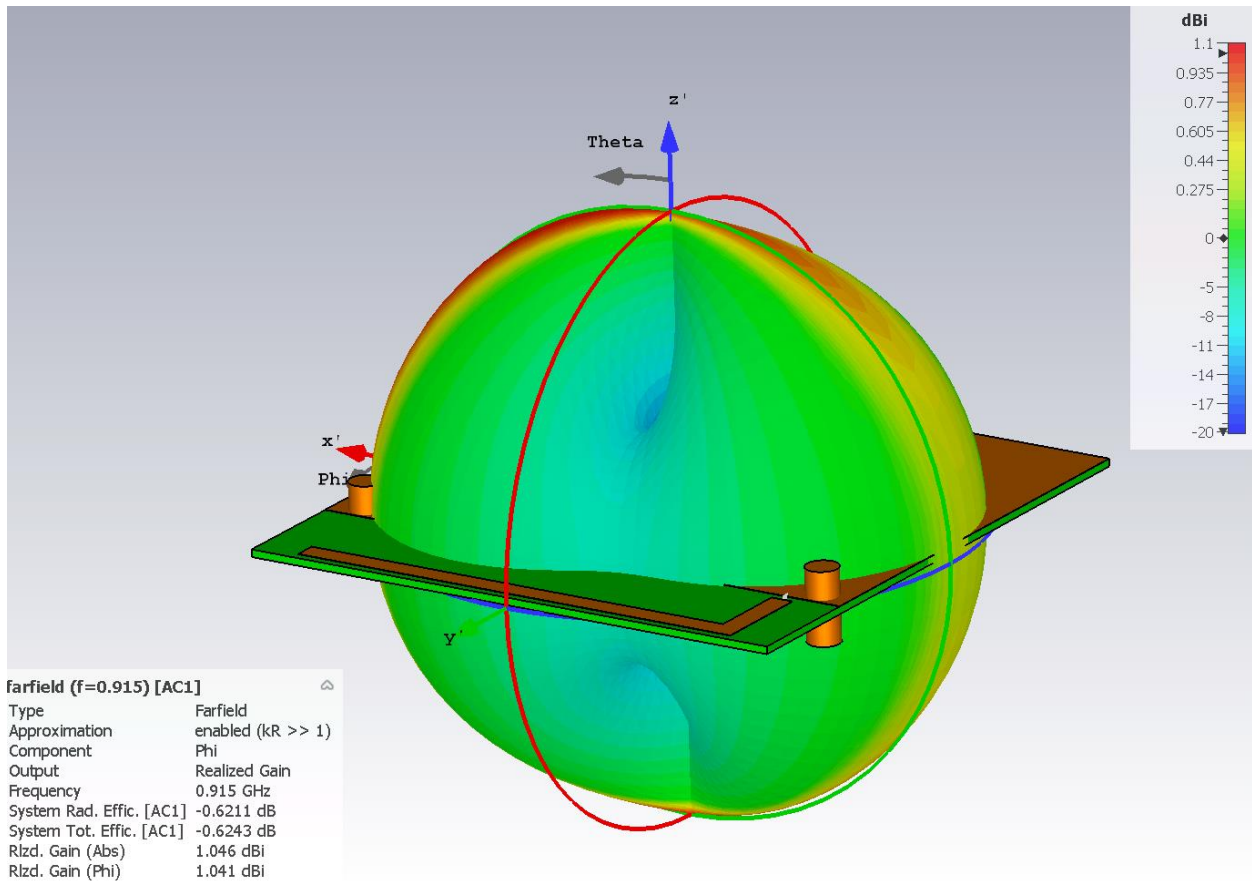
Total Gain:



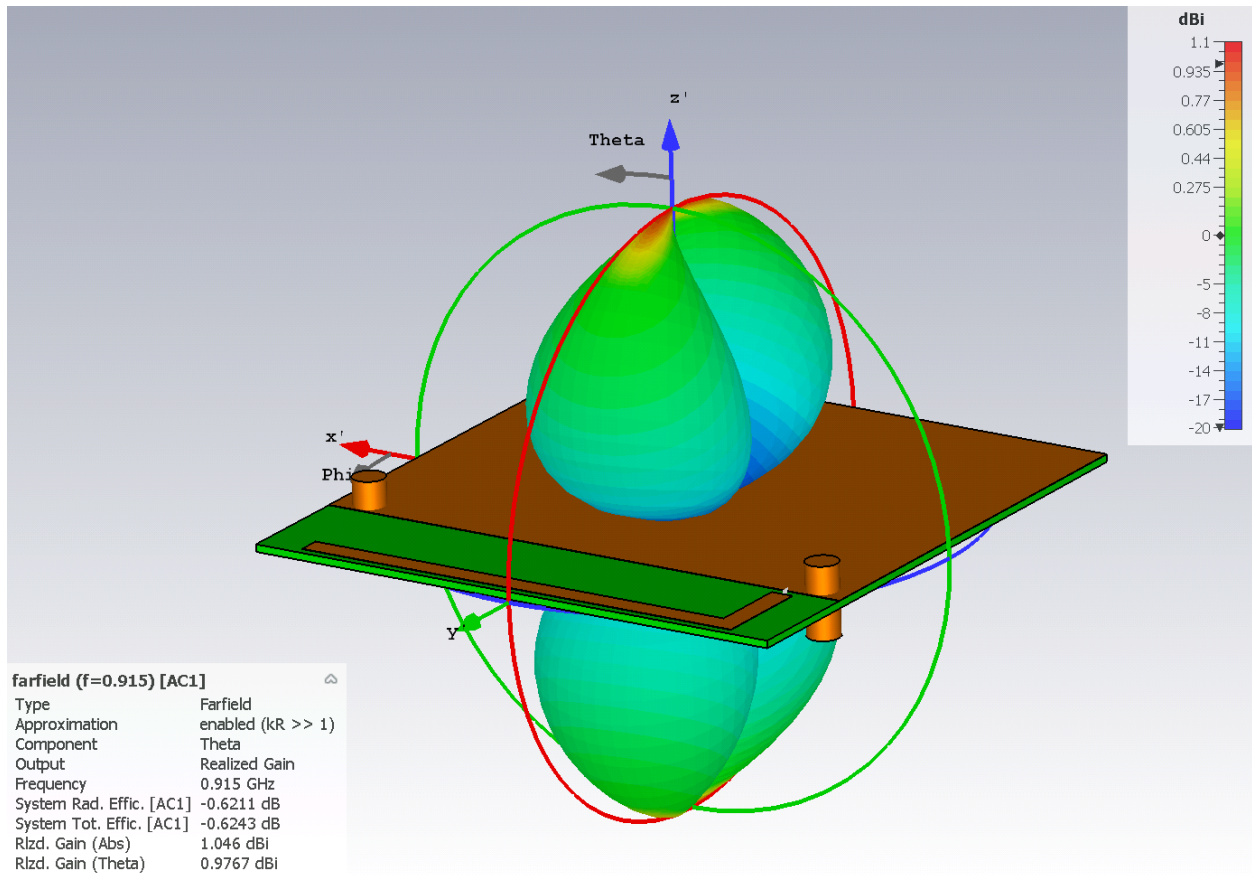
Total Gain (rotated about the z' axis):



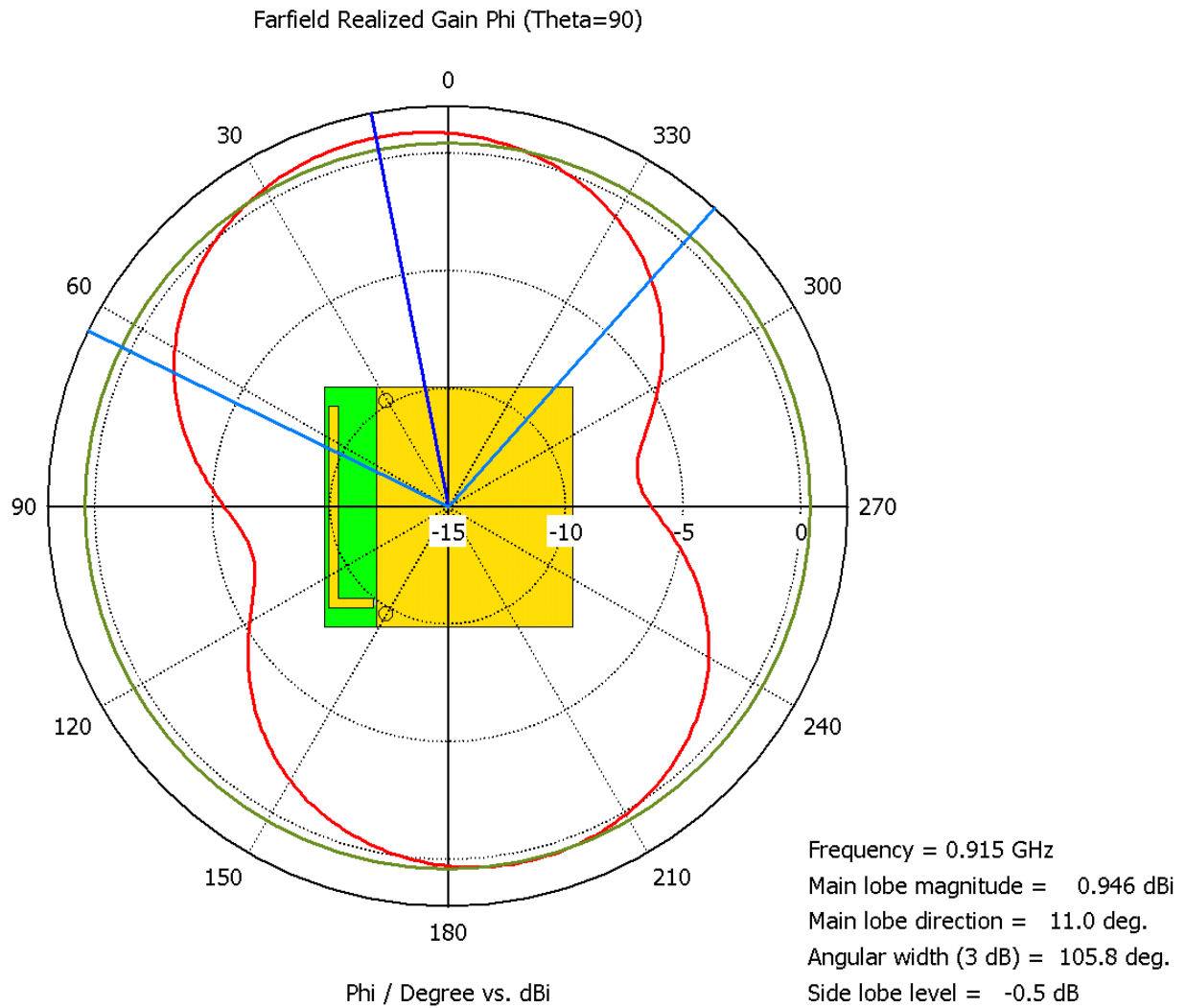
Gain, Phi Polarization:



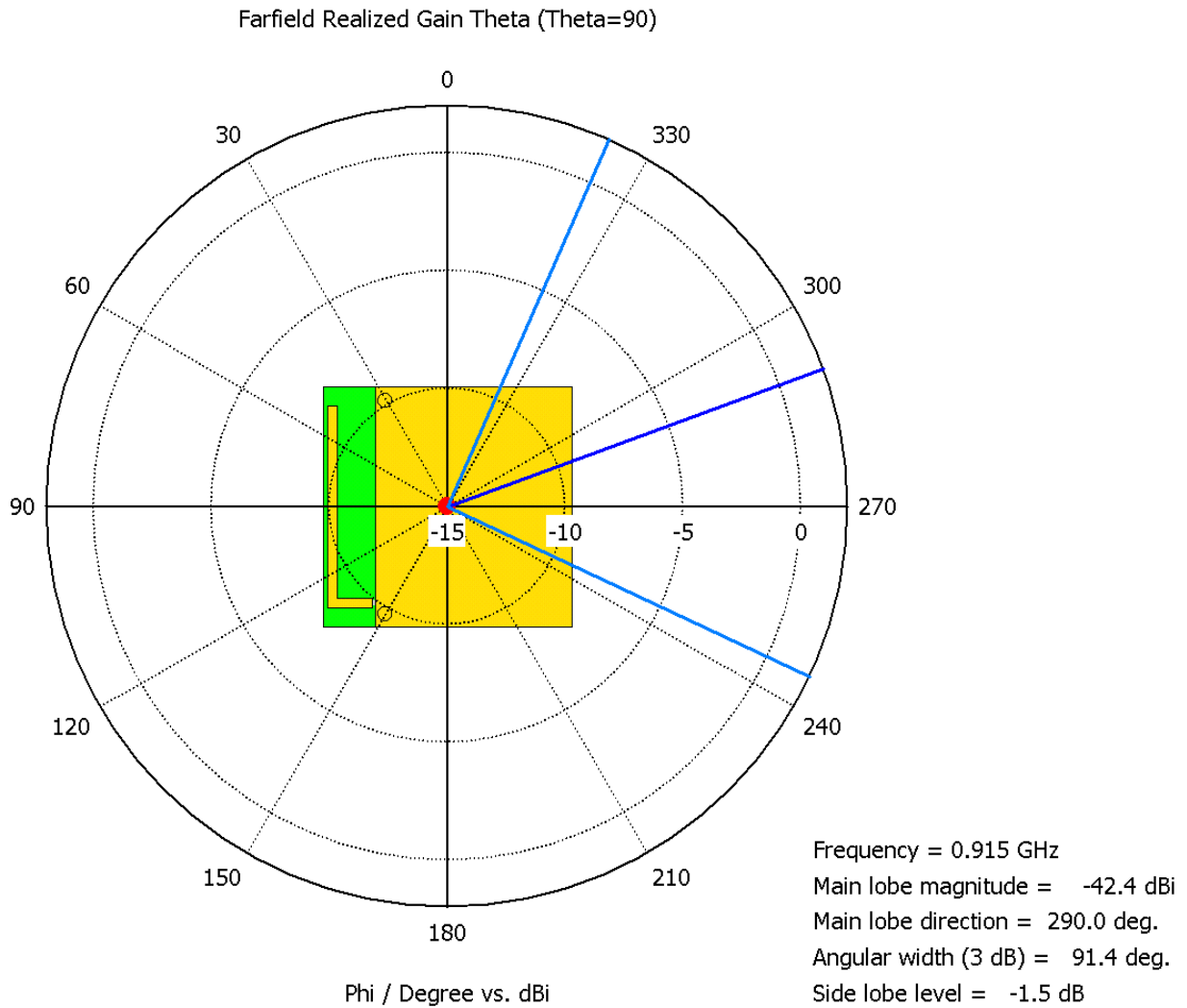
Gain, Theta Polarization:



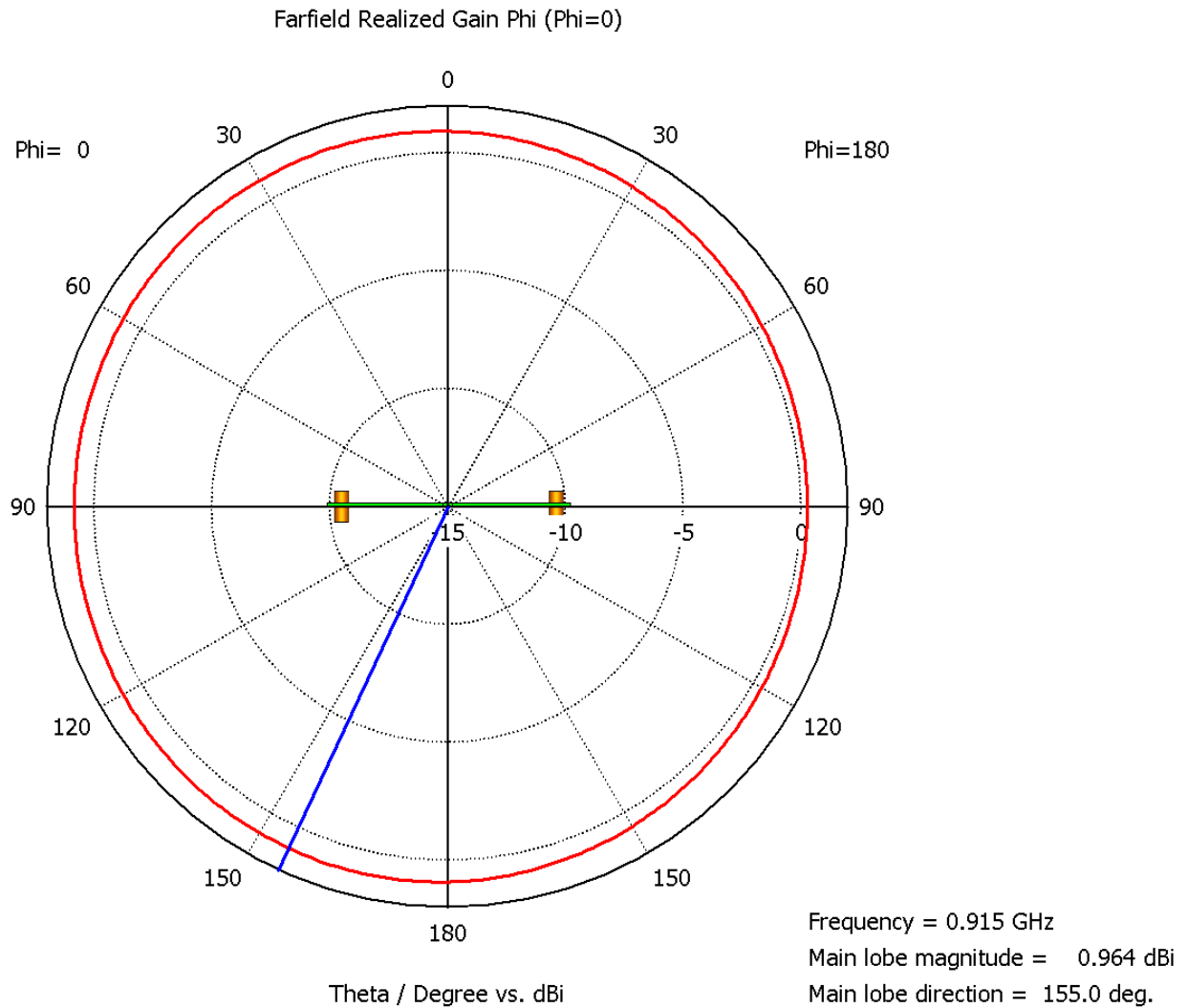
x-y plane (Theta = 90 degrees), Phi Polarization:



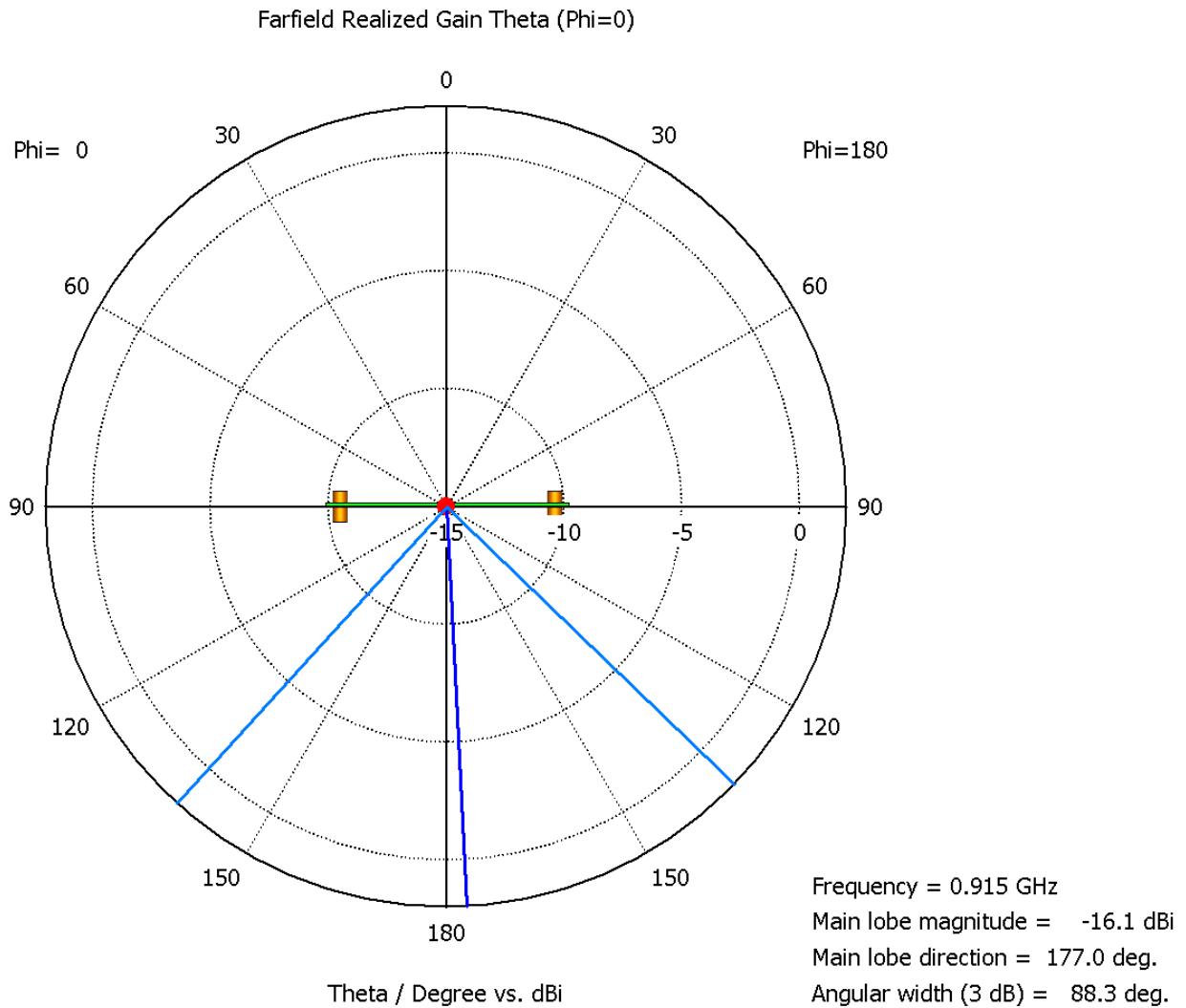
x-y plane (Theta = 90 degrees), Theta Polarization (none):



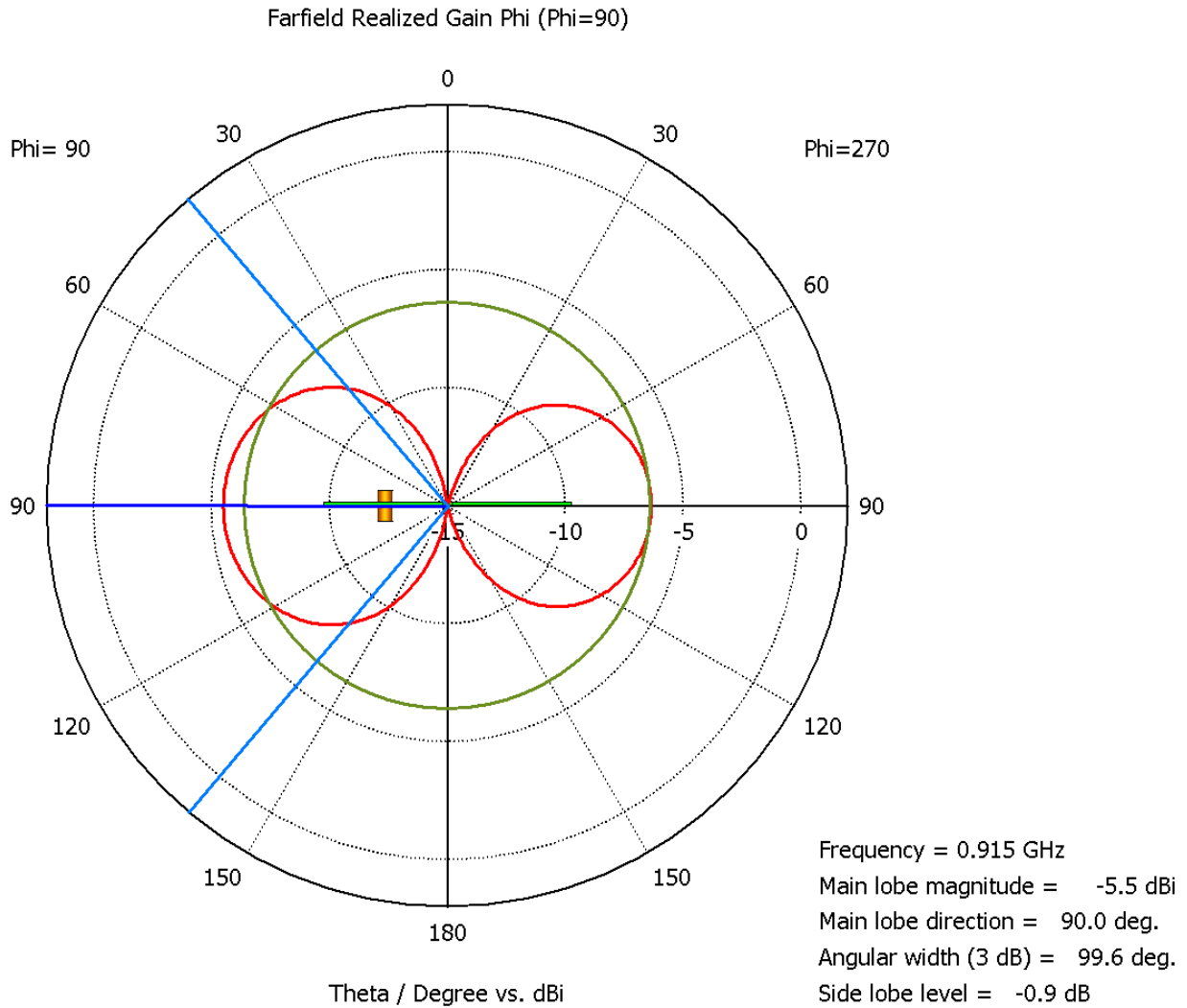
x-z plane (Phi = 0 degrees), Phi Polarization:



x-z plane (Phi = 0 degrees), Theta Polarization:



y-z plane (Phi = 90 degrees), Phi Polarization:



y-z plane (Phi = 90 degrees), Theta Polarization:

