

RFA-02-JP883-P2

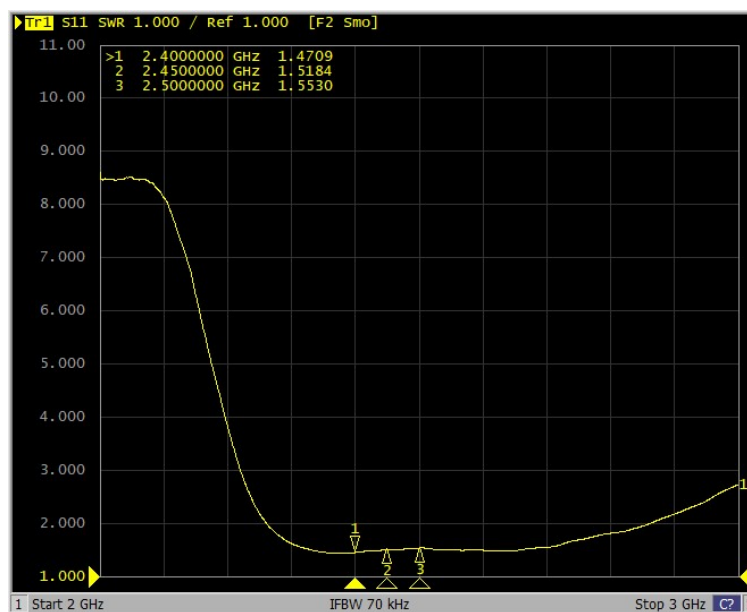
Electrical Specifications

Frequency range	2400-2500 MHz
Peak gain	1.19 dBi
Average gain	-2.97 dBi
VSWR	2.0 : 1 Max.
Polarization	Linear, vertical
Impedance	50 Ω
Connector	IPEX
Cable	\varnothing 1.13 / White / L=120mm

Environmental & Mechanical Characteristics

Temperature	- 10°C to +55°C
Humidity	95% @ 25°C

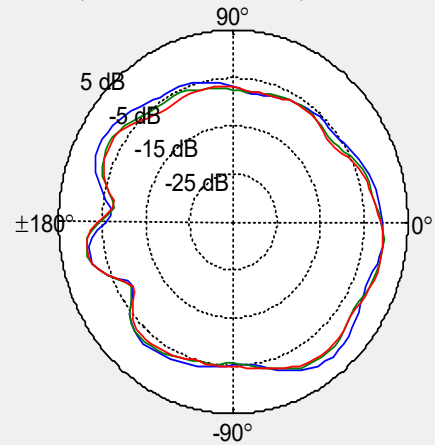
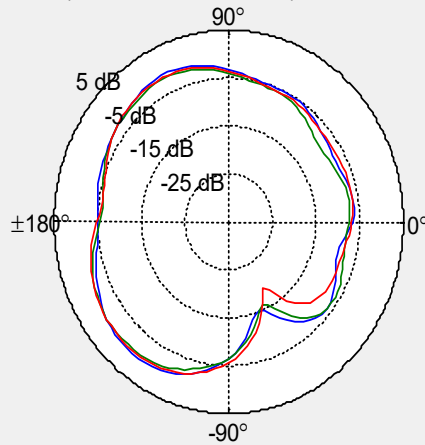
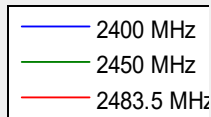
VSWR



Radiation Pattern

2G Band = 2400 - 2500 MHz % 2G BAND

XY Plane (+X = 0°ϕX, +Y = +90°ϕX) / Elevation = 90°ϕX ZX Plane (+Z = 0°ϕX, +X = +90°ϕX) / Azimuth = 0°ϕX



YZ Plane (+Z = 0°ϕX, +Y = +90°ϕX) / Azimuth = 90°ϕX

