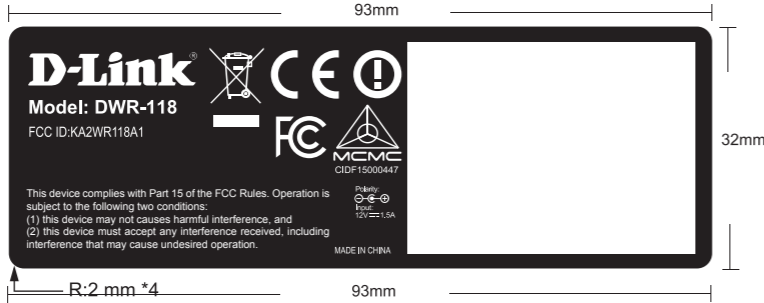
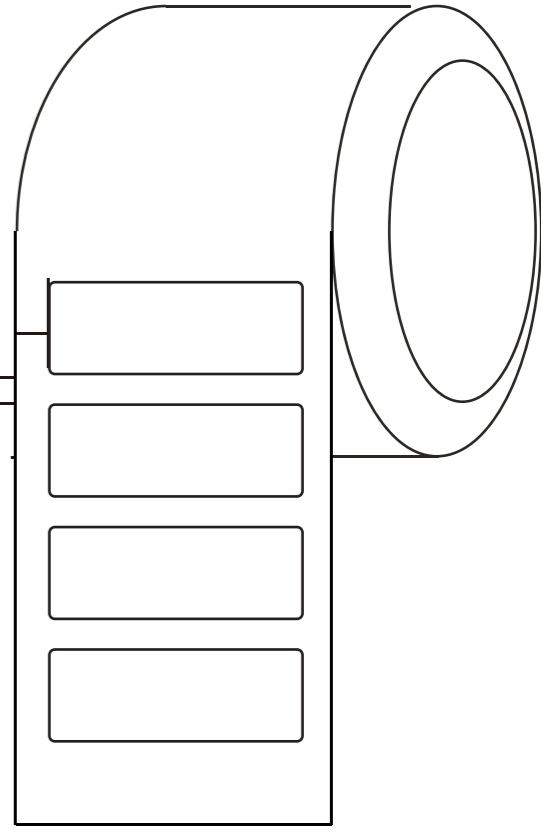
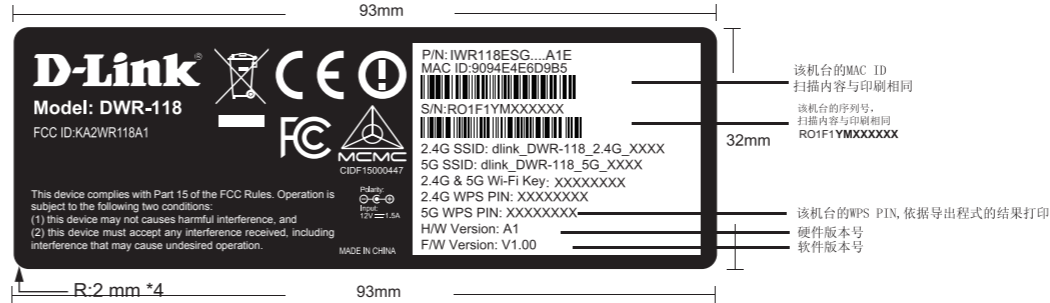


| REV | LOC'T | DESCRIPTION OF CHANGE | CH'G BY | APP.BY | DATE |
|-----|-------|-----------------------|---------|--------|------|
|     |       |                       |         |        |      |
|     |       |                       |         |        |      |

### 1、供应商丝印内容



### 2、工厂列印内容



S/N: RO1F1YM000001  
 RO 1F 1(R歐壹F壹),YM (年月); 000001 (6位流水号)

生产年份 Y

|          |          |          |
|----------|----------|----------|
| 2010 → A | 2020 → 0 | 2030 → A |
| 2011 → B | 2021 → 1 | 2031 → B |
| ↓        | ↓        | ↓        |
| 2019 → J | 2029 → 9 | 2039 → J |

生产月份  
 MONTH: 一月~九月 → 1~9  
 十月~十二月 → A~C

流水序号: SSSSSS  
 SERIAL NO: 000001-999999

流水号, 采取十进位方式编码, 当制造月份码变换时, 此流水号重新归零。

DWR-118  
 P/N: IWR118ESG...A1E  
 S/N: RO1F1YMXXXXXX  
 UPC: 790069420627  
 HW version: A1  
 FW version: V1.00

93\*32mm (R=2)  
 50#白色PET过哑膜  
 条码要求: CODE 128B

来料方式

|              |                                       |              |                   |
|--------------|---------------------------------------|--------------|-------------------|
| 卓翼科技股份有限公司   |                                       | MODEL NO.    | PROJ.CODE         |
| MATERIAL     | DO NOT SCALE DRAWING                  | DESCRIPTION  |                   |
| FINISH/COLOR | TOLERANCES UNLESS OTHERWISE SPECIFIED | PART NO.     | REV.              |
| SCALE        | LINEAR TOL.=<br>ANGULAR TOL.=         | CAD FILE:    |                   |
| DWG DATE     | 莫金秀<br>2015-07-22                     | CHK DATE     | 莫金秀<br>2015-07-22 |
|              |                                       | APP DATE     |                   |
|              |                                       | SHEET 1 OF 1 | A4                |

UNIT IN MM

Label location

