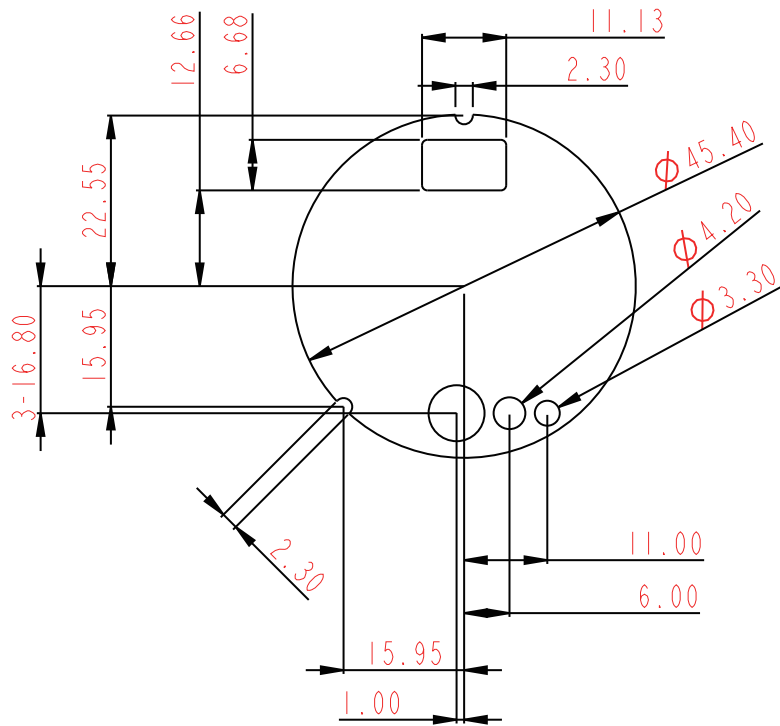
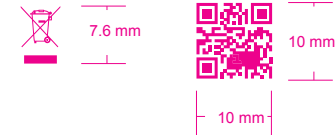
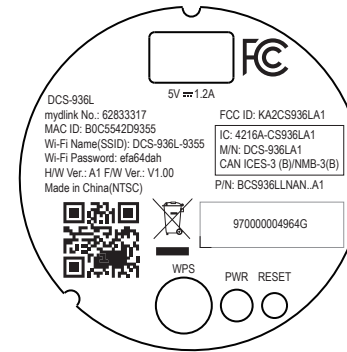


空白料尺寸圖  
outline dimension for blank label



廠內碳帶加印稿



<b>ALPHA</b>		Title: DCS-936L Device Label			
Drawn by: Ario Hsieh	Date: 2016/03/18	Material: 50μ白亮特多龍(PET) Glossy White Polyester Film	Part No.: 970000013210G	Rev.:	Task ID: ART-HQ1601000213
Checked by: Justina Liao	Date: 2016/03/18	Coated: N/A	Unit: mm	Cutting and Printing Tolerance: ±0.3mm Contents Tolerance: ±0.25mm	
Approved by: Justina Liao	Date: 2016/03/18	Adhesive: 壓克力膠 Acrylic	Scale: 1:1	<input checked="" type="checkbox"/> Modified drawing <input type="checkbox"/> Original drawing	



Label Here