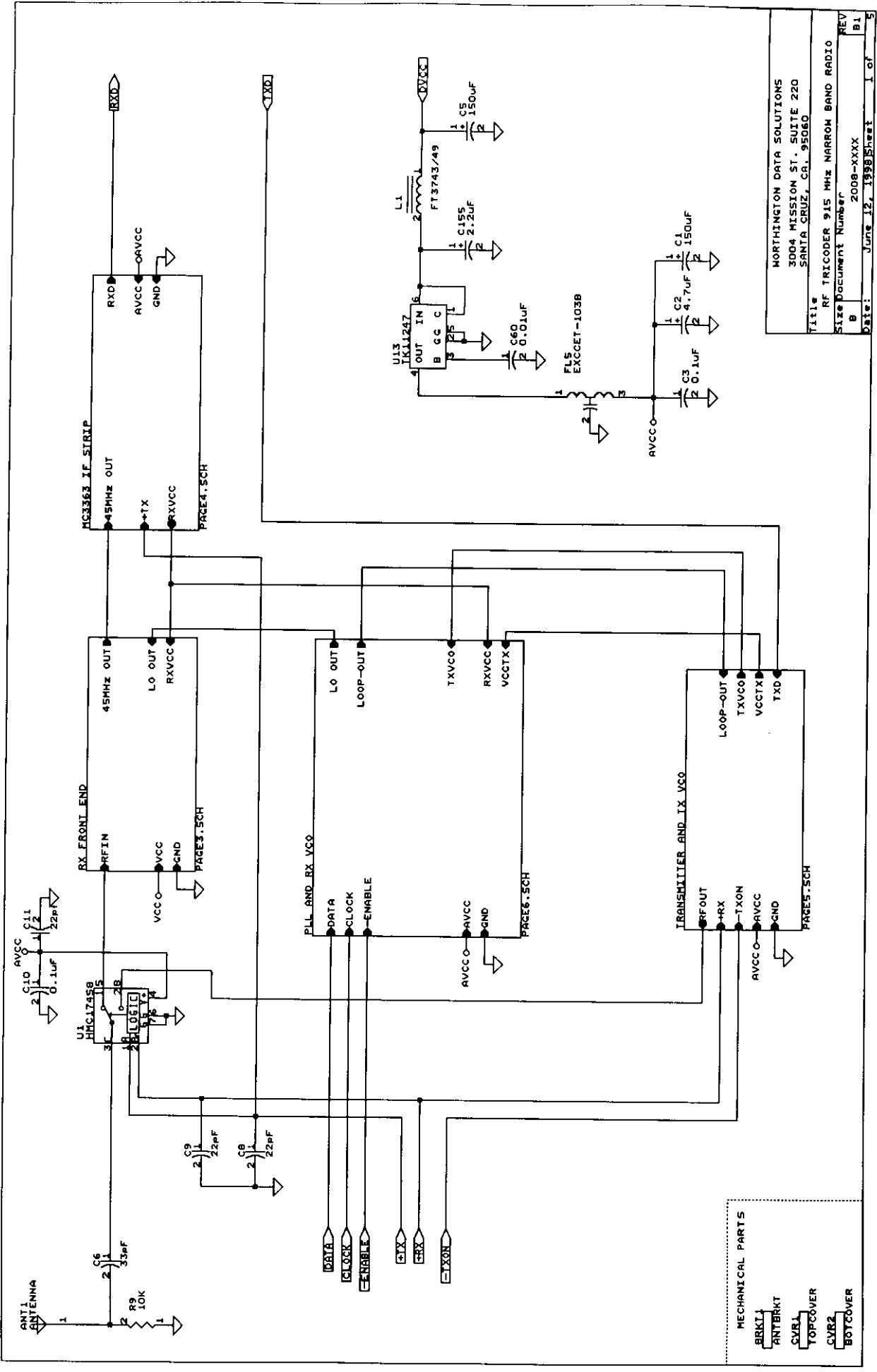


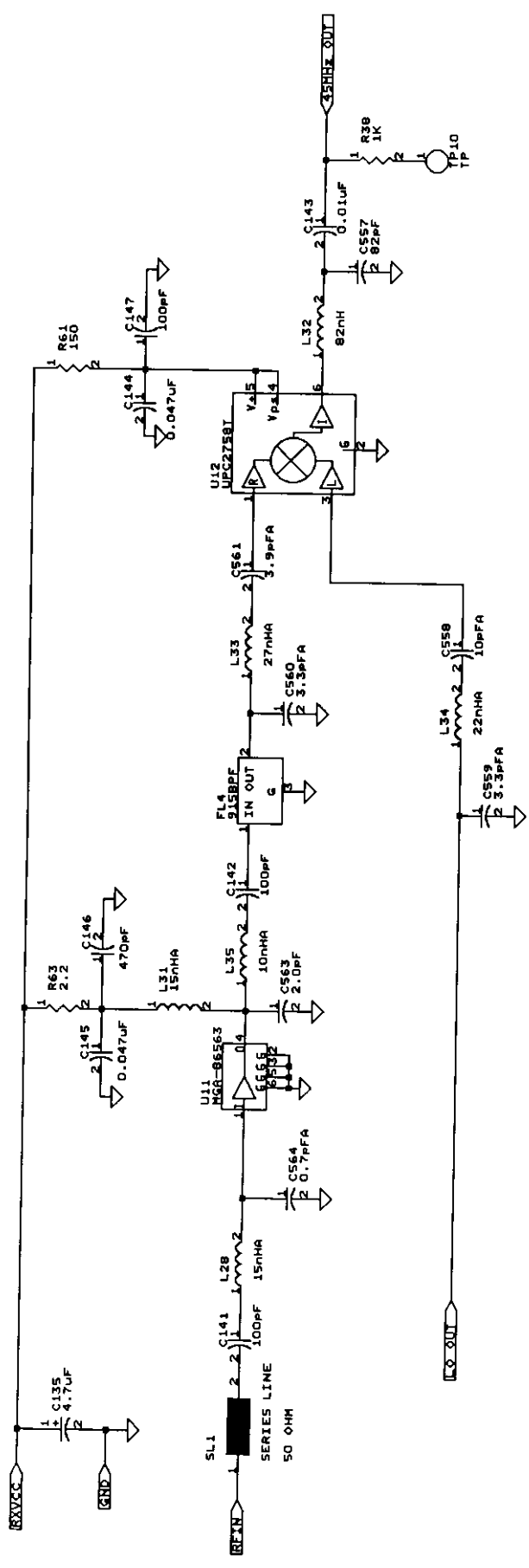
SCHEMATICS

FOOTMELLO1 OCT 09 1998

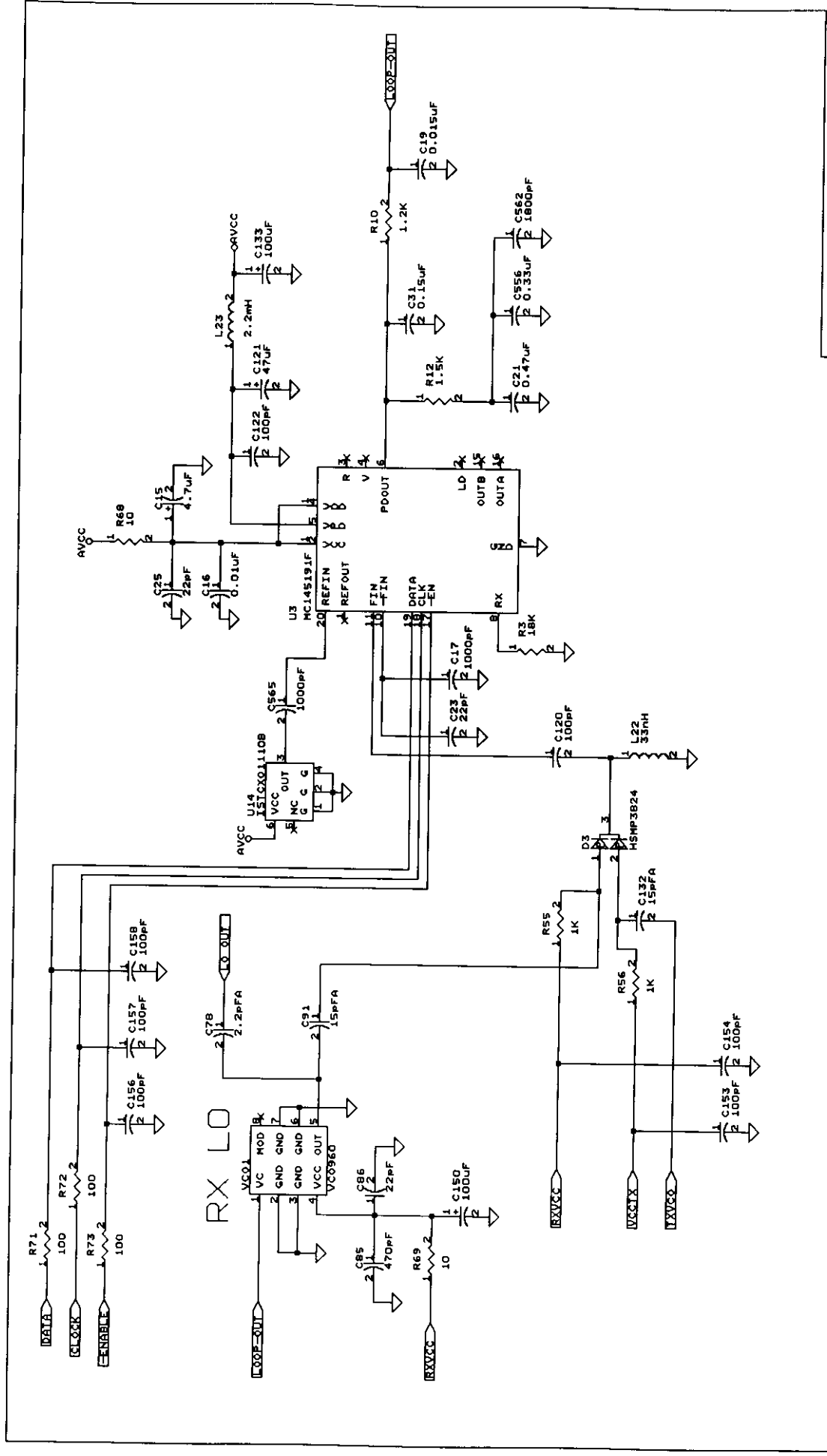


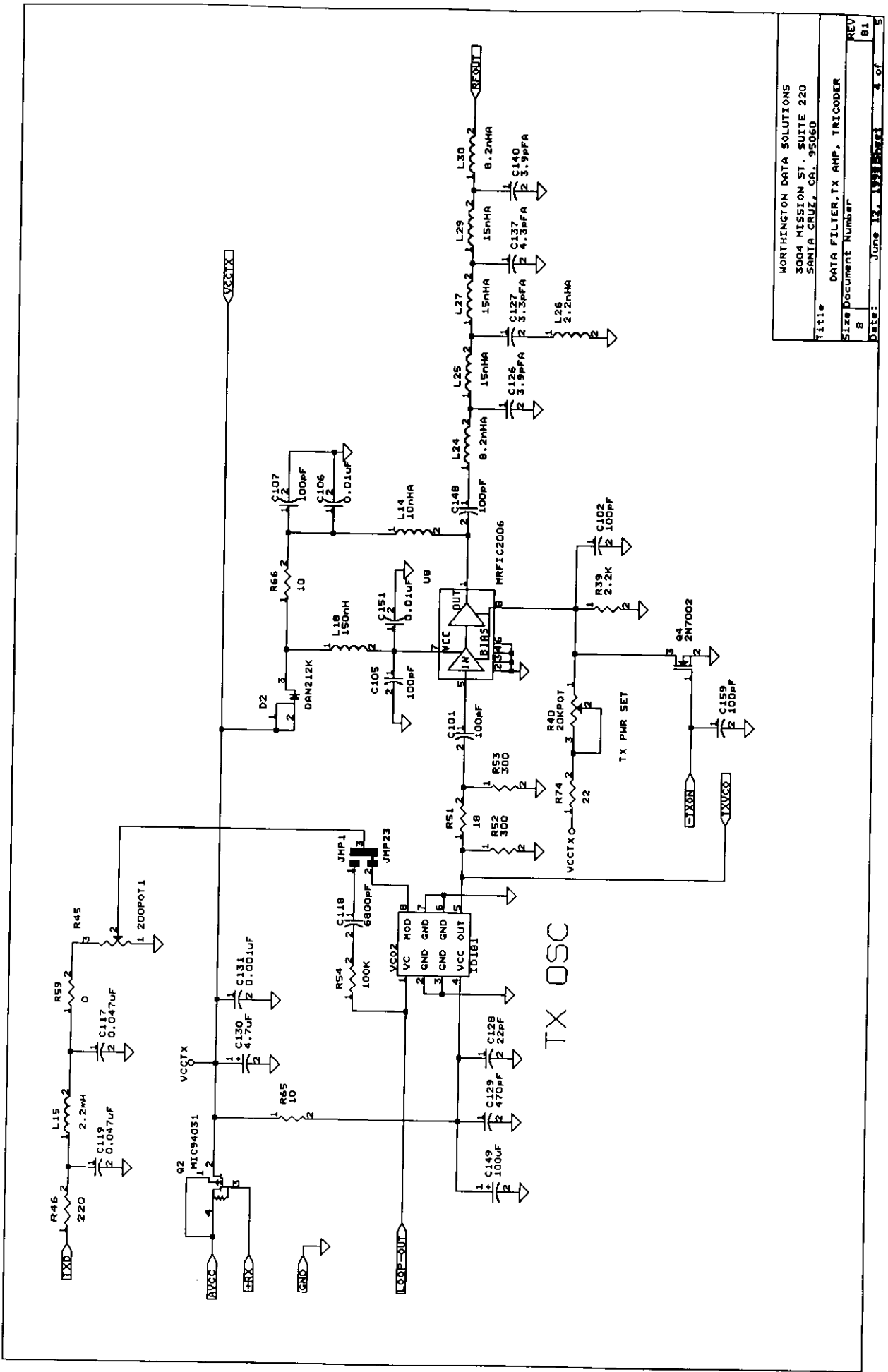
NORTHINGTON DATA SOLUTIONS 3004 MISSION ST., SUITE 220 SANTA CRUZ, CA. 95060	
Title	RF TRICODER 915 MHZ NARROW BAND RADIO
Size	Document Number
REV	B
Date:	June 12, 1998 Sheet 1 of 5

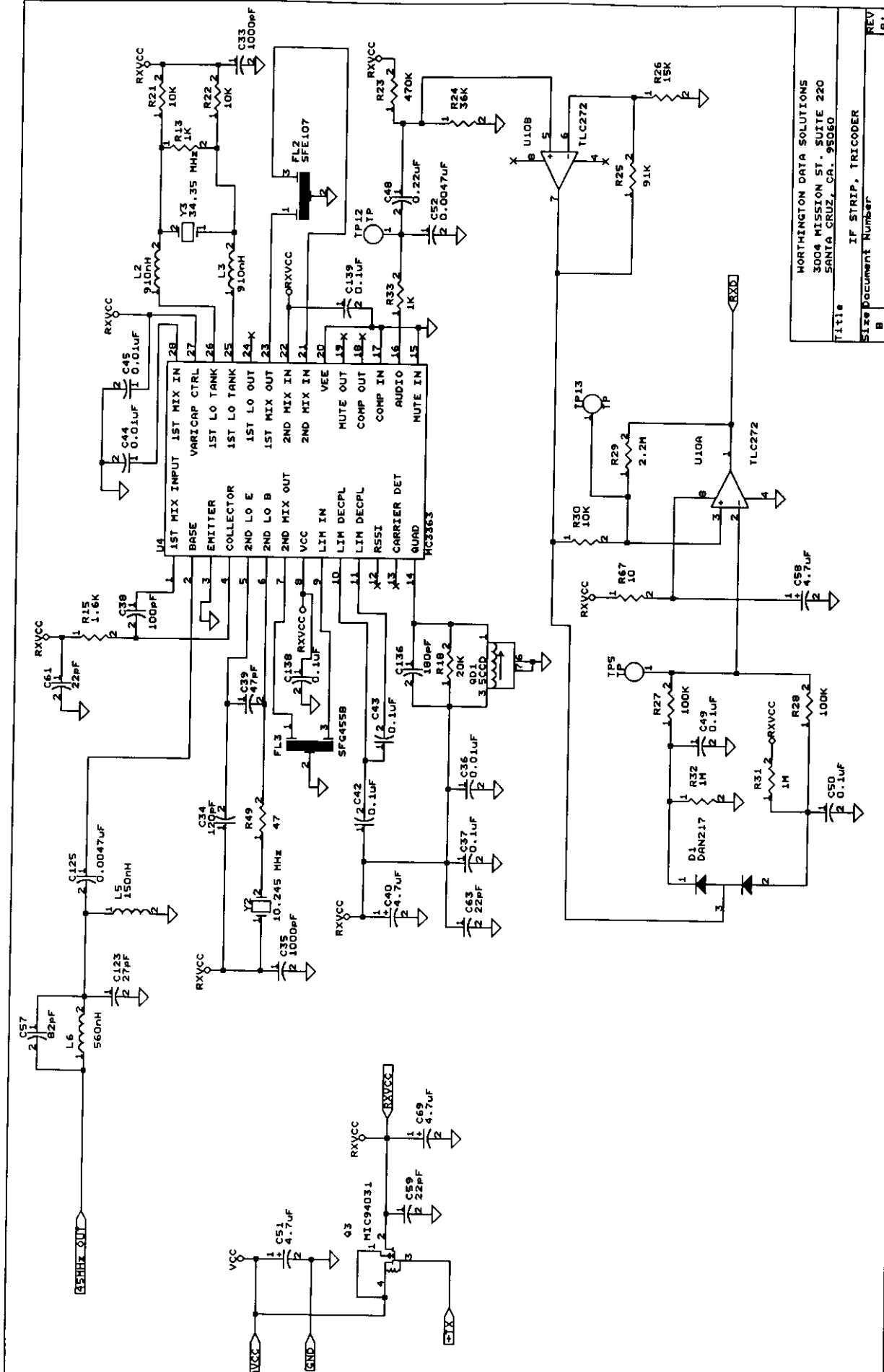
- MECHANICAL PARTS
- BRK1
 - ANTBRKT
 - CVR1
 - TOPCOVER
 - CVR2
 - BOTCOVER



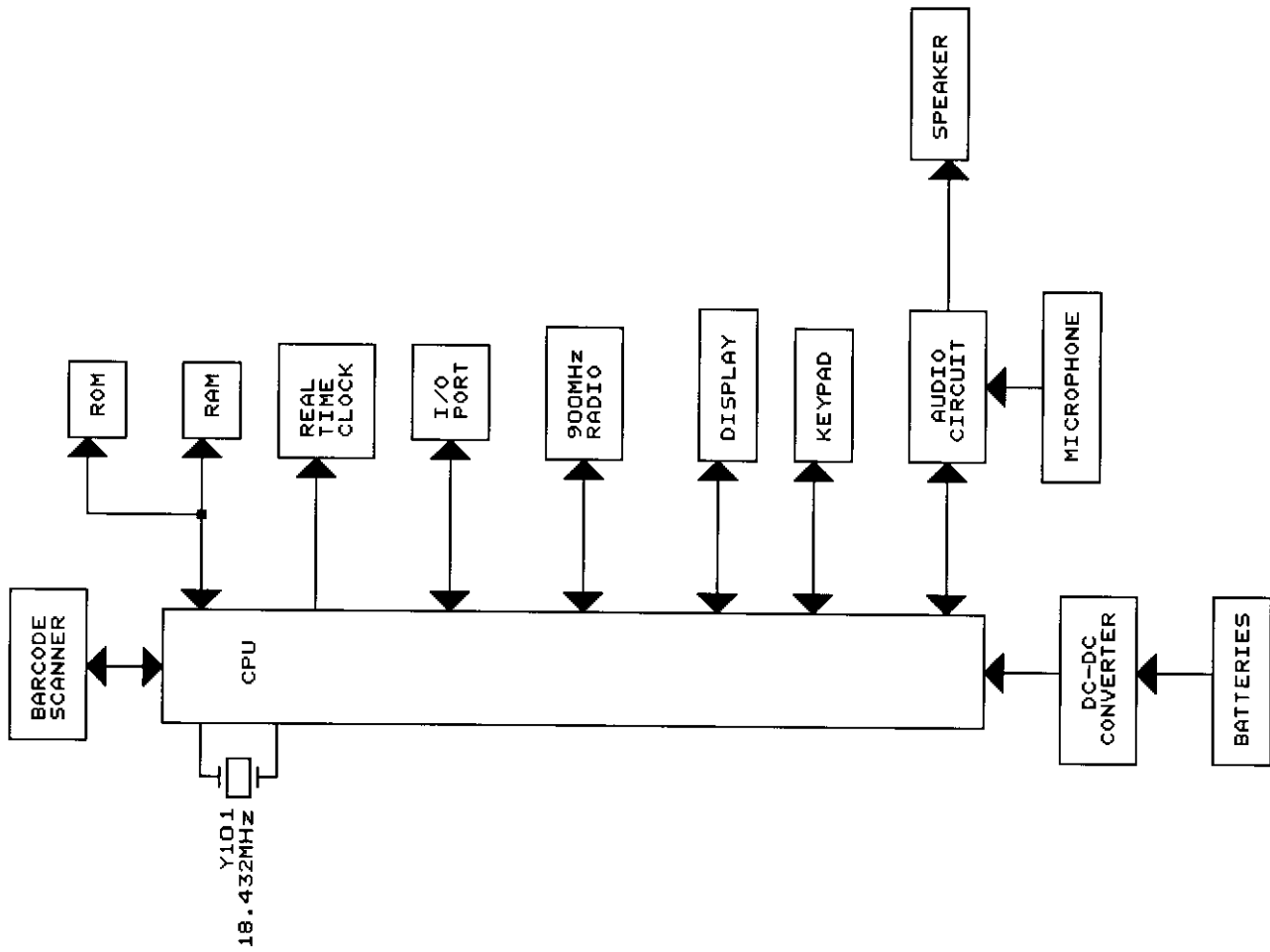
MORTINGTON DATA SOLUTIONS
 3004 MISSION ST., SUITE 220
 SANTA CRUZ, CA. 95060
 Title RX FRONT END, TRICODER
 Size Document Number B
 Date: June 12, 1988 Sheet 2 of 5







HORTHINGTON DATA SOLUTIONS
 3004 MISSION ST. SUITE 220
 SANITA CRUZ, CA. 95060
 Title IF STRIP, TRICODER
 Size Document Number B
 Date: June 12, 1998 Sheet 5 of 5
 REV B1

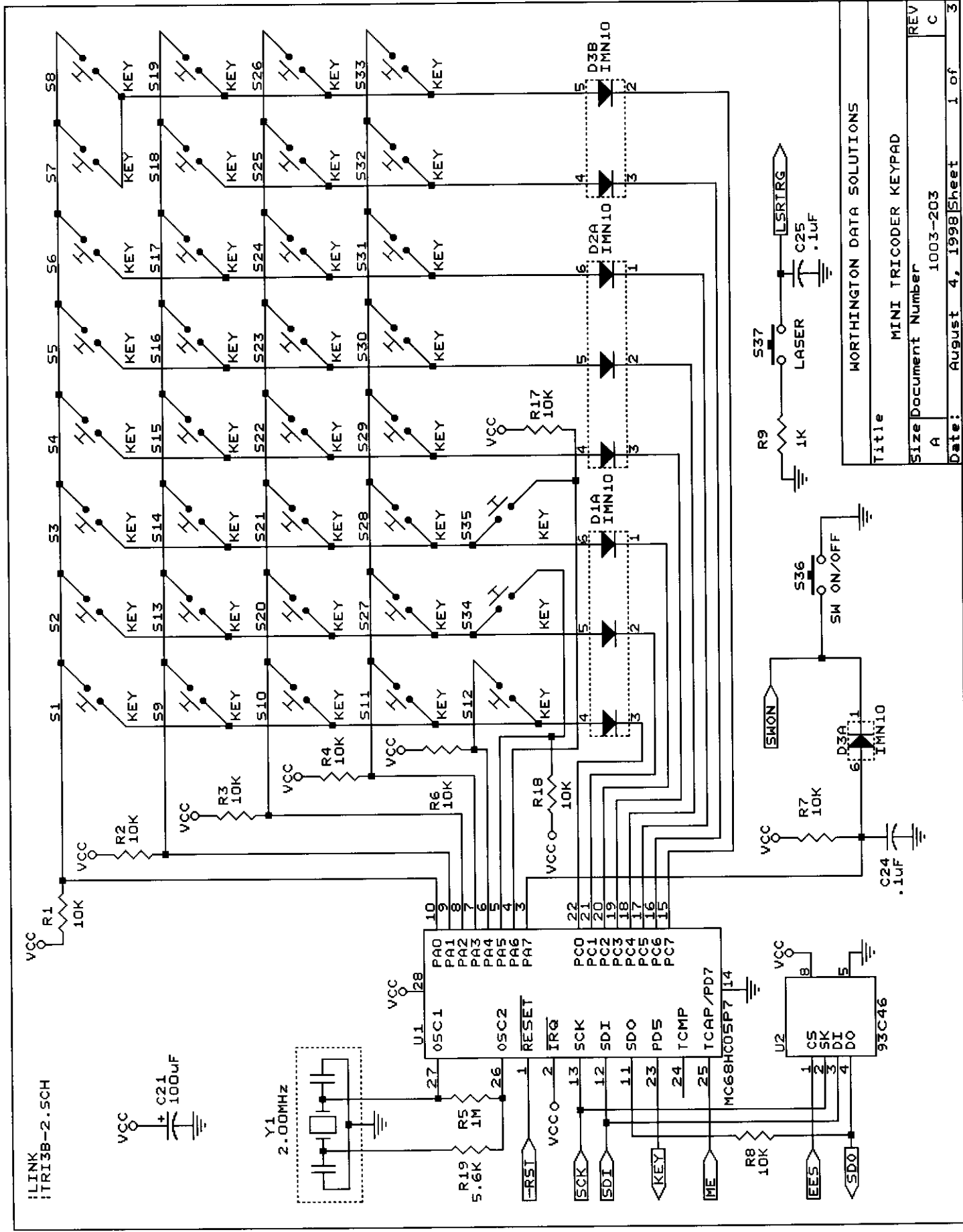


Worthington Data Solutions
 3004 Mission Street, suite 220
 Santa Cruz, CA 95060

Title RF Terminal Block Diagram

Size Document Number A 2011 REV A

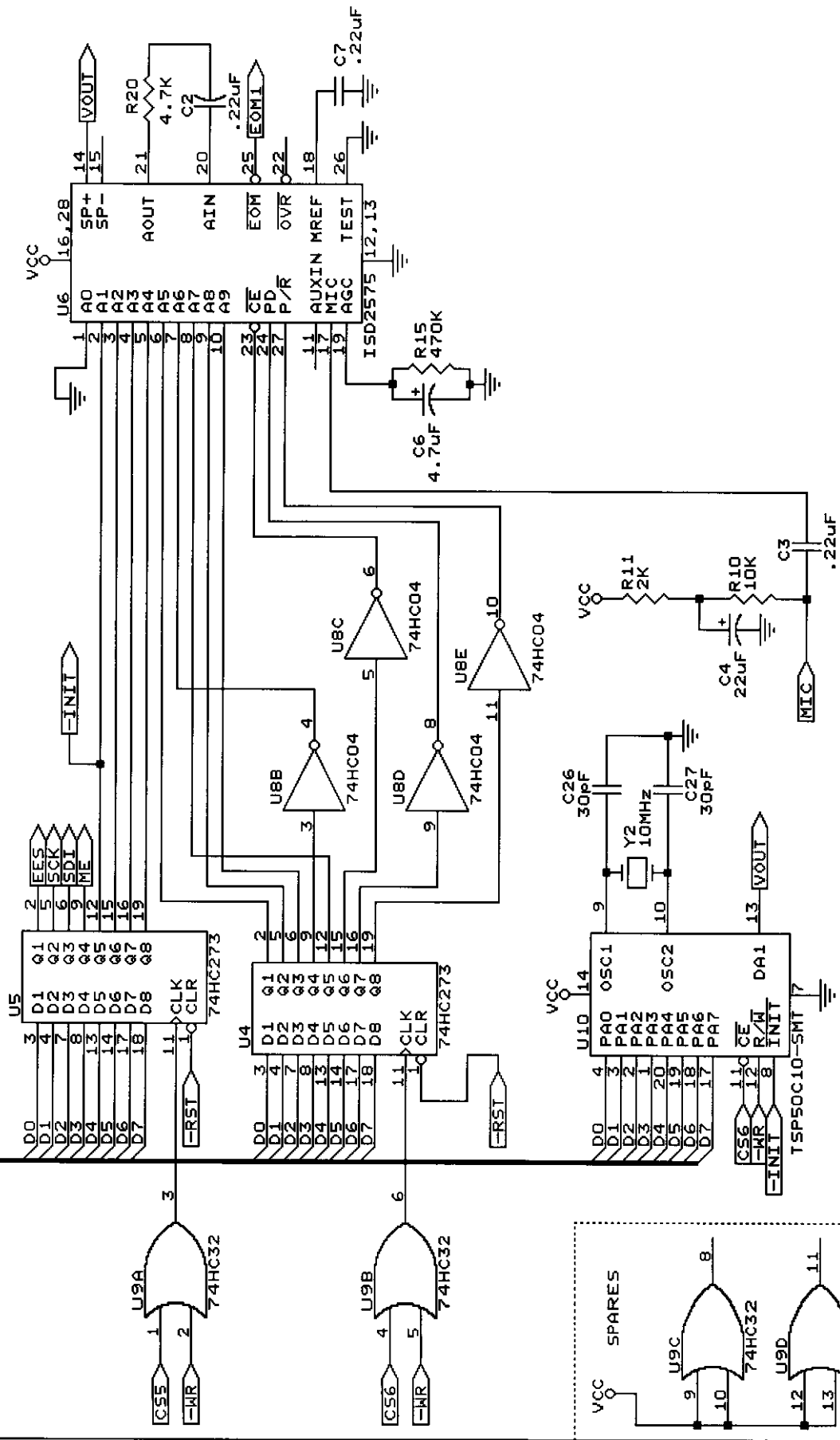
Date: August 21, 1998 Sheet 1 of 1



Title		
MINI TRICODER KEYPAD		
Size Document Number	1003-203	REV
A		C
Date:	August 4, 1998	Sheet 1 of 3

WORTHINGTON DATA SOLUTIONS

DC0..71



MINI TRICODER VOICE OPTION		
Size	Document Number	REV
A	1003-203	C
Date:	June 17, 1998	Sheet 2 of 3

COM1
 COM2
 COM3
 COM4
 COM5
 COM6
 COM7
 COM8
 COM9
 COM10
 COM11
 COM12
 COM13
 COM14
 COM15
 COM16
 COM17
 COM18
 COM19
 COM20
 COM21
 COM22
 COM23
 COM24
 COM25
 COM26
 COM27
 COM28
 COM29
 COM30
 COM31
 COM32
 COM33
 COM34
 COM35
 COM36
 COM37
 COM38
 COM39
 COM40
 COM41
 COM42
 COM43
 COM44
 COM45
 COM46
 COM47
 COM48
 COM49
 COM50
 COM51
 COM52
 COM53
 COM54
 COM55
 COM56
 COM57
 COM58
 COM59
 COM60
 COM61
 COM62
 COM63
 COM64
 COM65
 COM66
 COM67
 COM68
 COM69
 COM70
 COM71
 COM72
 COM73
 COM74
 COM75
 COM76
 COM77
 COM78
 COM79
 COM80
 COM81
 COM82
 COM83
 COM84
 COM85
 COM86
 COM87
 COM88
 COM89
 COM90
 COM91
 COM92
 COM93
 COM94
 COM95
 COM96
 COM97
 COM98
 COM99
 COM100

