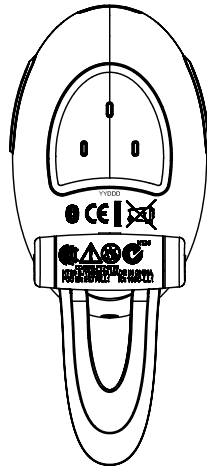
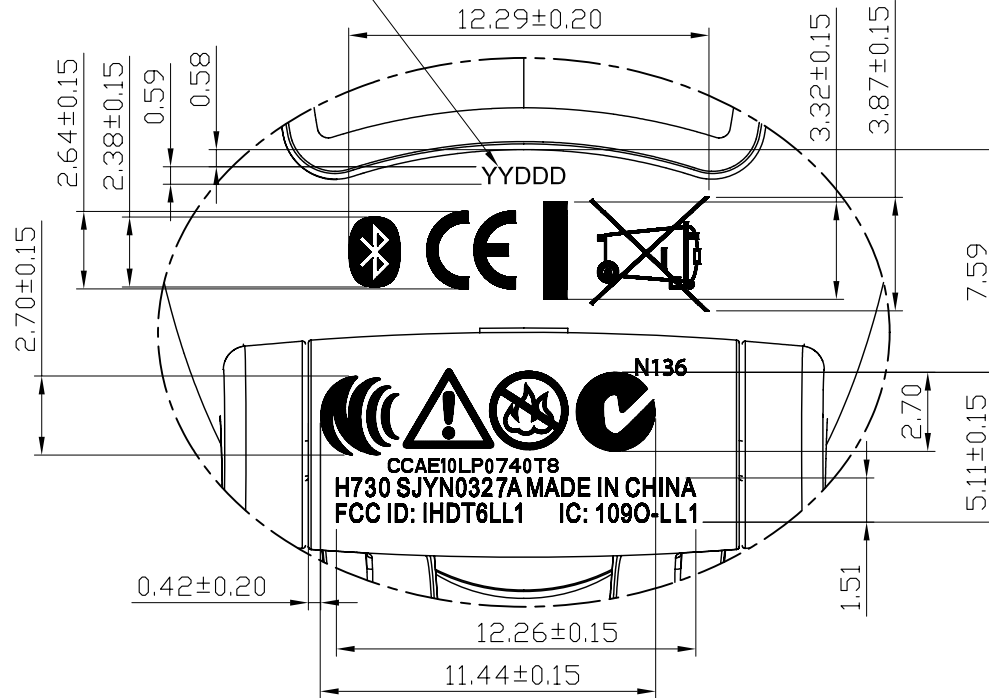


REVISIONS RECORD					
ZONE	DESCRIPTION	REV.	DATE	ECN. NO.	REDACTOR
1	HK500===>HX500	V2	2010.5.12	N/A	Jason luo
2	HK500===>H730 add FCC ID/IC NO.	V3	2010.5.25	N/A	Jason luo
3	Add the CE NO.	V4	2010.6.28	N/A	Jack Cao
4	Change the FCC ID NO.	V5	2010.6.30	N/A	Jack Cao

Laser Eching text:
 YY:Year Code
 DDD:Date Code
 (According the
 WORK ORDER'S DATE)



SALE 1:1



SALE 4:1

SJYN0327A

1.THIS DOCUMENT IS THE SOLE PROPERTY OF CHENG UEI PRECISION INDUSTRY CO., LTD.
 AND SHOULD NOT BE USED IN WHOLE OR IN PART WITHOUT PRIOR WRITTEN PERMISSION.
 2.THE HAZARDOUS SUBSTANCE CONTAINED IN EACH HOMOGENEUS MATERIAL SHALL COMPLY WITH
 THE LASTET VERSION OF FOXLINK'S GREEN PROCUREMENT STANDARD(QQS-ZZ09-13) .
 3.THE RESTRICTED SUBSTANCES NEED TO MEET CUSTOMER'S SPEC REQUEST:12G02897W19

TOLERANCE UNLESS OTHERWISE SPECIFIED (±)	
L ≤ 3 mm	0.05
3 < L ≤ 15 mm	0.08
15 < L ≤ 30 mm	0.1
30 < L ≤ 70 mm	0.15
70 < L ≤ 120 mm	0.2
> 120 mm	0.3
ANGLE (degree)	1.0



CHENG UEI PRECISION INDUSTRY CO.,LTD

■ = CRITICAL DIM	INTENDED USE: MBT-9211	TITLE: REAR_HOUSING BOOM_REAR_HOUSING
● = TOOLING DIM	APPD.: Jasonbin Chen	DWG. NO.: 5881-53E2-1270M2 (5881-53E2-1770M2)
▲ = PROCESS DIM (Cpk)	CHKD.: Ben Woo	SCALE: 1:1
MAT'L.:	DR.: Jack Cao 2010.6.30	PAGE: 1 OF 1
SEE NOTES		UNIT: mm
⊗ = DIMENSION ID		REV.: V5

Drawing name : &dwg_name / Model name : &model_name