



HEARING AID COMPATIBILITY RF EMISSIONS TEST REPORT

FCC ID : IHDT56YN2
Equipment : Mobile Cellular Phone
Brand Name : Motorola
M-Rating : M3
Applicant : Motorola Mobility, LLC
222 W Merchandise Mart Plaza, Suite
1800, Chicago, IL 60654, United States
Manufacturer : Motorola Mobility, LLC
222 W Merchandise Mart Plaza, Suite
1800, Chicago, IL 60654, United States
Standard : FCC 47 CFR §20.19
ANSI C63.19-2011

The product was received on Feb. 25, 2020 and testing was started from Apr. 01 2020 and completed on Apr. 15 2020. We, SPORTON INTERNATIONAL INC., would like to declare that the tested sample has been evaluated in accordance with the test procedures and has been in compliance with the applicable technical standards.

The report must not be used by the client to claim product certification, approval, or endorsement by TAF or any agency of government.

The test results in this report apply exclusively to the tested model / sample. Without written approval of SPORTON INTERNATIONAL INC. EMC & Wireless Communications Laboratory, the test report shall not be reproduced except in full.

Approved by: Cona Huang / Deputy Manager

SPORTON INTERNATIONAL INC. EMC & Wireless Communications Laboratory
No. 52, Huaya 1st Rd., Guishan Dist., Taoyuan City, Taiwan (R.O.C.)



Table of Contents

1. General Information..... 4

2. Testing Location..... 5

3. Applied Standards 5

4. RF Audio Interference Level..... 5

5. Air Interface and Operating Mode..... 6

6. Measurement System Specification 7

 6.1 E-Field Probe System..... 7

 6.2 Data Storage and Evaluation..... 8

7. RF Emissions Test Procedure..... 9

8. Test Equipment List12

9. Measurement System Validation13

10. Modulation Interference Factor.....14

11. Low-power Exemption.....15

12. Conducted RF Output Power (Unit: dBm).....17

13. HAC RF Emission Test Results.....18

14. Uncertainty Assessment19

15. References.....21

Appendix A. Plots of System Performance Check

Appendix B. Plots of RF Emission Measurement

Appendix C. DASYS Calibration Certificate

Appendix D. Test Setup Photos



History of this test report

| Report No. | Version | Description | Issued Date |
|------------|---------|-------------------------|---------------|
| HA011614A | Rev. 01 | Initial issue of report | Apr. 20, 2020 |
| | | | |
| | | | |



1. General Information

| Product Feature & Specification | |
|---------------------------------|--|
| Applicant Name | Motorola Mobility, LLC |
| Equipment Name | Mobile Cellular Phone |
| Brand Name | Motorola |
| FCC ID | IHDT56YN2 |
| EUT Stage | Identical Prototype |
| Date Tested | 2020/4/1~2020/4/15 |
| Frequency Band | GSM850: 824.2 MHz ~ 848.8 MHz GSM1900: 1850.2 MHz ~ 1909.8 MHz WCDMA Band II: 1850 MHz ~ 1910 MHz WCDMA Band IV: 1710 MHz ~ 1755 MHz WCDMA Band V: 824 MHz ~ 849 MHz LTE Band 2: 1850 MHz ~ 1910 MHz LTE Band 4: 1710 MHz ~ 1755 MHz LTE Band 5: 824 MHz ~ 849 MHz LTE Band 7: 2500 MHz ~ 2570 MHz LTE Band 12: 699 MHz ~ 716 MHz LTE Band 17: 704 MHz ~ 716 MHz LTE Band 26: 814 MHz ~ 849 MHz LTE Band 38: 2570 MHz ~ 2620 MHz LTE Band 41: 2535 MHz ~ 2655 MHz LTE Band 66: 1710 MHz ~ 1780 MHz WLAN 2.4GHz Band: 2400 MHz ~ 2483.5 MHz WLAN 5.2GHz Band: 5150 MHz ~ 5250 MHz WLAN 5.3GHz Band: 5250 MHz ~ 5350 MHz WLAN 5.6GHz Band: 5470 MHz ~ 5725 MHz WLAN 5.8GHz Band: 5725 MHz ~ 5825 MHz Bluetooth: 2400 MHz ~ 2483.5 MHz NFC : 13.56 MHz |
| Mode | GSM/GPRS/EGPRS RMC/AMR 12.2Kbps HSDPA HSUPA DC-HSDPA LTE: QPSK, 16QAM, 64QAM WLAN: 802.11a/b/g/n/ac HT20/HT40/VHT20/VHT40/VHT80 Bluetooth BR/EDR/LE NFC:ASK |

Reviewed by: Jason Wang

Report Producer: Wan Liu



2. Testing Location

Sporton Lab is accredited to ISO 17025 by Taiwan Accreditation Foundation (TAF code: 1190) and the FCC designation No. TW1190 under the FCC 2.948(e) by Mutual Recognition Agreement (MRA) in FCC test.

| Testing Laboratory | |
|--------------------|---|
| Test Site | SPORTON INTERNATIONAL INC. |
| Test Site Location | No. 52, Huaya 1st Rd., Guishan Dist., Taoyuan City, Taiwan (R.O.C.) TEL: +886-3-327-3456 FAX: +886-3-328-4978 |
| Test Site No. | Sporton Site No.: SAR04-HY |

3. Applied Standards

- FCC CFR47 Part 20.19
- ANSI C63.19-2011
- FCC KDB 285076 D01 HAC Guidance v05
- FCC KDB 285076 D02 T Coil testing v03
- FCC KDB 285076 D03 HAC FAQ v01

4. RF Audio Interference Level

FCC wireless hearing aid compatibility rules ensure that consumers with hearing loss are able to access wireless communications services through a wide selection of handsets without experiencing disabling radio frequency (RF) interference or other technical obstacles.

To define and measure the hearing aid compatibility of handsets, in CFR47 part 20.19 ANSI C63.19 is referenced. A handset is considered hearing aid-compatible for acoustic coupling if it meets a rating of at least M3 under ANSI C63.19, and A handset is considered hearing aid compatible for inductive coupling if it meets a rating of at least T3. According to ANSI C63.19 2011 version, for acoustic coupling, the RF electric field emissions of wireless communication devices should be measured and rated according to the emission level as below.

| Emission Categories | E-field emissions | |
|---------------------|-------------------|-------------------|
| | <960Mhz | >960Mhz |
| M1 | 50 to 55 dB (V/m) | 40 to 45 dB (V/m) |
| M2 | 45 to 50 dB (V/m) | 35 to 40 dB (V/m) |
| M3 | 40 to 45 dB (V/m) | 30 to 35 dB (V/m) |
| M4 | <40 dB (V/m) | <30 dB (V/m) |

Table 5.1 Telephone near-field categories in linear units



5. Air Interface and Operating Mode

| Air Interface | Band MHz | Type | C63.19 Tested | Simultaneous Transmitter | Name of Voice Service | Power Reduction |
|---------------|----------|------|-------------------|--------------------------|-----------------------|-----------------|
| GSM | GSM850 | VO | Yes | WLAN, BT | CMRS Voice | No |
| | GSM1900 | | | WLAN, BT | | No |
| | EDGE850 | VD | Yes | WLAN, BT | Google Duo | No |
| | EDGE1900 | | | WLAN, BT | | |
| WCDMA | Band II | VO | No ⁽¹⁾ | WLAN, BT | CMRS Voice | No |
| | Band IV | | | WLAN, BT | | No |
| | Band V | | | WLAN, BT | | No |
| | HSPA | VD | No ⁽¹⁾ | WLAN, BT | Google Duo | No |
| LTE (FDD) | Band 2 | VD | No ⁽¹⁾ | WLAN, BT | VoLTE / Google Duo | No |
| | Band 4 | | | WLAN, BT | | No |
| | Band 5 | | | WLAN, BT | | No |
| | Band 7 | | | WLAN, BT | | No |
| | Band 12 | | | WLAN, BT | | No |
| | Band 17 | | | WLAN, BT | | No |
| | Band 26 | | | WLAN, BT | | No |
| | Band 66 | | | WLAN, BT | | No |
| LTE (TDD) | Band 38 | VD | Yes | WLAN, BT | VoLTE / Google Duo | No |
| | Band 41 | | | WLAN, BT | | No |
| Wi-Fi | 2450 | VD | Yes | GSM,WCDMA,LTE | VoWiFi / Google Duo | No |
| | 5200 | | | GSM,WCDMA,LTE | | No |
| | 5300 | | | GSM,WCDMA,LTE | | No |
| | 5500 | | | GSM,WCDMA,LTE | | No |
| | 5800 | | | GSM,WCDMA,LTE | | No |
| BT | 2450 | DT | No | GSM,WCDMA,LTE | NA | No |

Type Transport:
 VO= Voice only
 DT= Digital Transport only (no voice)
 VD= CMRS and IP Voice Service over Digital Transport

Remark:

- The air interface is exempted from testing by low power exemption that its average antenna input power plus its MIF is ≤ 17 dBm, and is rated as M4.
- The device have similar frequency in some LTE bands: LTE 38/41, since the supported frequency spans for the smaller LTE bands are completely cover by the larger LTE bands, therefore, only larger LTE bands were required to be tested for hearing-aid compliance.

6. Measurement System Specification

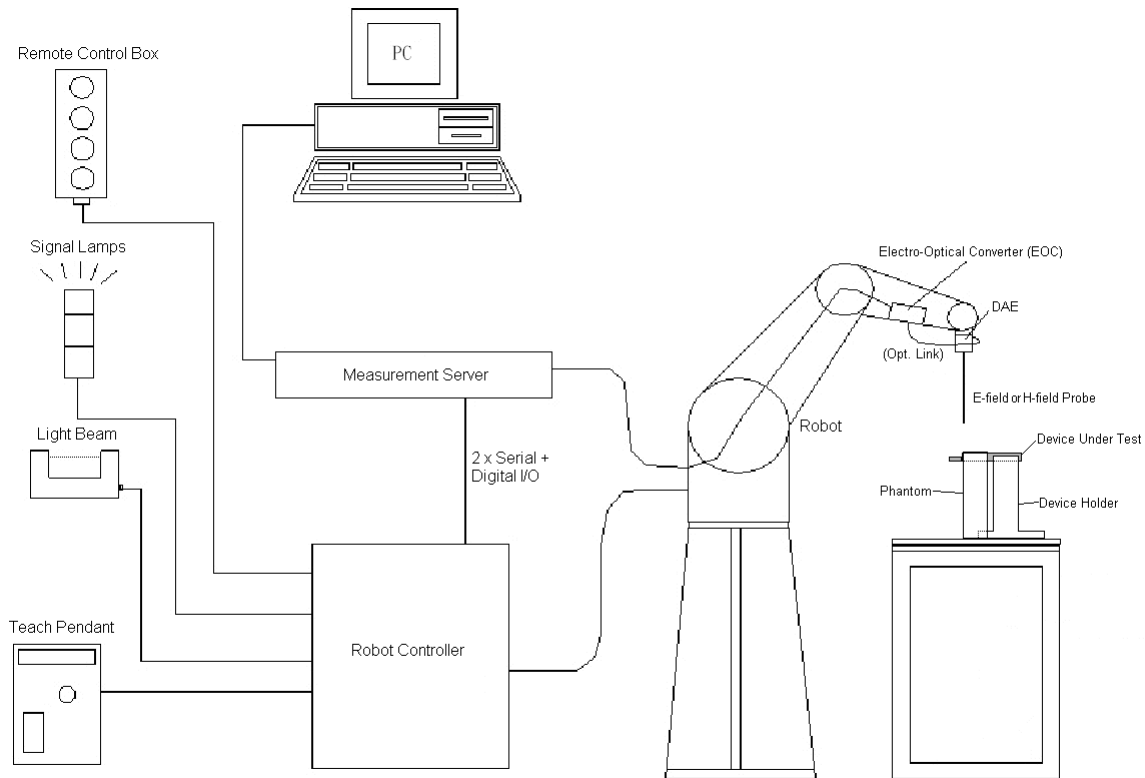


Fig 5.1 System Configurations

6.1 E-Field Probe System

E-Field Probe Specification

<ER3DV6>

| | |
|----------------------|--|
| Construction | One dipole parallel, two dipoles normal to probe axis Built-in shielding against static charges |
| Calibration | In air from 100 MHz to 3.0 GHz (absolute accuracy $\pm 6.0\%$, $k=2$) |
| Frequency | 100 MHz to 6 GHz; Linearity: ± 2.0 dB (100 MHz to 3 GHz) |
| Directivity | ± 0.2 dB in air (rotation around probe axis) ± 0.4 dB in air (rotation normal to probe axis) |
| Dynamic Range | 2 V/m to 1000 V/m (M3 or better device readings fall well below diode compression point) |
| Linearity | ± 0.2 dB |
| Dimensions | Overall length: 330 mm (Tip: 16 mm) Tip diameter: 8 mm (Body: 12 mm) Distance from probe tip to dipole centers: 2.5 mm |



Fig 5.2 Photo of E-field Probe

Probe Tip Description:

HAC field measurements take place in the close near field with high gradients. Increasing the measuring distance from the source will generally decrease the measured field values (in case of the validation dipole approx. 10% per mm).

6.2 Data Storage and Evaluation

The DASYS software stores the assessed data from the data acquisition electronics as raw data (in microvolt readings from the probe sensors), together with all the necessary software parameters for the data evaluation (probe calibration data, and device frequency and modulation data) in measurement files.

| | | |
|----------------------------|---------------------------|---|
| Probe parameters : | - Sensitivity | Norm _i , a _{i0} , a _{i1} , a _{i2} |
| | - Conversion factor | ConvF _i |
| | - Diode compression point | dcp _i |
| Device parameters : | - Frequency | f |
| | - Crest factor | cf |
| Media parameters : | - Conductivity | σ |
| | - Density | ρ |

The formula for each channel can be given as :

$$V_i = U_i + U_i^2 \cdot \frac{cf}{dcp_i}$$

with V_i = compensated signal of channel i , ($i = x, y, z$)
 U_i = input signal of channel i , ($i = x, y, z$)
 cf = crest factor of exciting field (DASY parameter)
 dcp_i = diode compression point (DASY parameter)

From the compensated input signals, the primary field data for each channel can be evaluated :

$$\text{E-field Probes : } E_i = \sqrt{\frac{V_i}{\text{Norm}_i \cdot \text{ConvF}}}$$

with V_i = compensated signal of channel i , ($i = x, y, z$)
 Norm_i = sensor sensitivity of channel i , ($i = x, y, z$), $\mu\text{V}/(\text{V}/\text{m})^2$ for E-field Probes
 ConvF = sensitivity enhancement in solution
 f = carrier frequency [GHz]
 E_i = electric field strength of channel i in V/m

The RSS value of the field components gives the total field strength (Hermitian magnitude) :

$$E_{\text{tot}} = \sqrt{E_x^2 + E_y^2 + E_z^2}$$

The primary field data are used to calculate the derived field units.



7. RF Emissions Test Procedure

Referenced from ANSI C63.19 -2011 section 5.5.1

- a. Confirm the proper operation of the field probe, probe measurement system, and other instrumentation and the positioning system.
- b. Position the WD in its intended test position.
- c. Set the WD to transmit a fixed and repeatable combination of signal power and modulation characteristic that is representative of the worst case (highest interference potential) encountered in normal use. Transiently occurring start-up, changeover, or termination conditions, or other operations likely to occur less than 1% of the time during normal operation, may be excluded from consideration.
- d. The center sub-grid shall be centered on the T-Coil mode perpendicular measurement point or the acoustic output, as appropriate. Locate the field probe at the initial test position in the 50 mm by 50 mm grid, which is contained in the measurement plane, refer to illustrated in Figure 8.2. If the field alignment method is used, align the probe for maximum field reception.
- e. Record the reading at the output of the measurement system.
- f. Scan the entire 50 mm by 50 mm region in equality spaced increments and record the reading at each measurement point, The distance between measurement points shall be sufficient to assure the identification of the maximum reading.
- g. Identify the five contiguous sub-grids around the center sub-grid whose maximum reading is the lowest of all available choices. This eliminates the three sub-grids with the maximum readings. Thus, the six areas to be used to determine the WD's highest emissions are identified.
- h. Identify the maximum reading within the non-excluded sub-grids identified in step g).
 - i. Indirect measurement method
 - j. The RF audio interference level in dB (V/m) is obtained by adding the MIF (in dB) to the maximum steady-state rms field-strength reading, in dB (V/m)
- k. Compare this RF audio interference level with the categories in ANSI C63.19-2011 clause 8 and record the resulting WD category rating.
- l. For the T-Coil perpendicular measurement location is ≥ 5.0 mm from the center of the acoustic output, then two different 50 mm by 50 mm areas may need to be scanned, the first for the microphone mode assessment and the second for the T-Coil assessment.
- m. The second for the T-Coil assessment, with the grid shifted so that it is centered on the perpendicular measurement point. Record the WD category rating.

Test Instructions

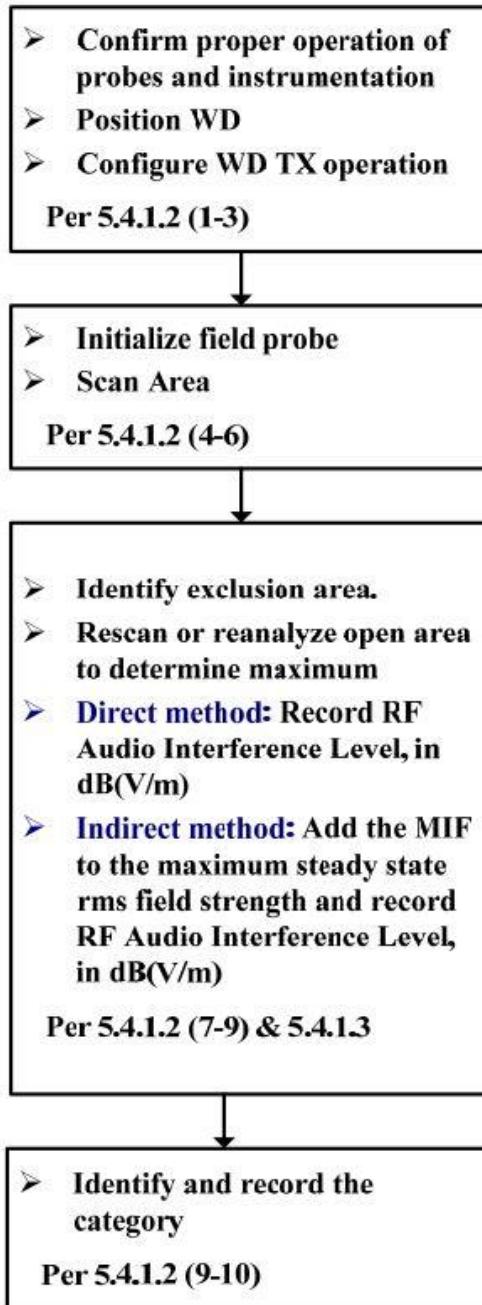


Figure 8.1 RF Emissions Flow Chart

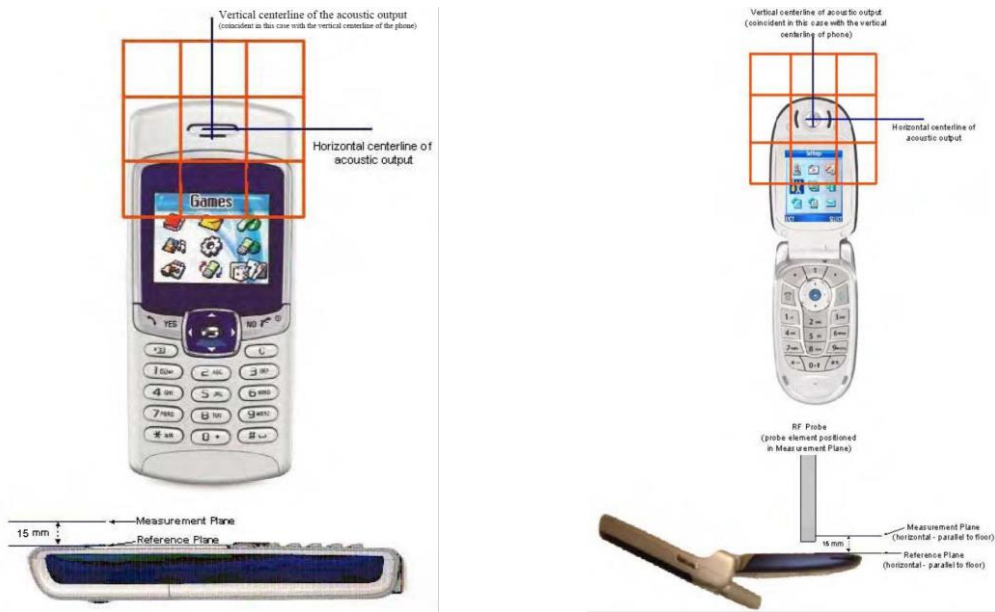


Fig 8.2 EUT reference and plane for HAC RF emission measurements

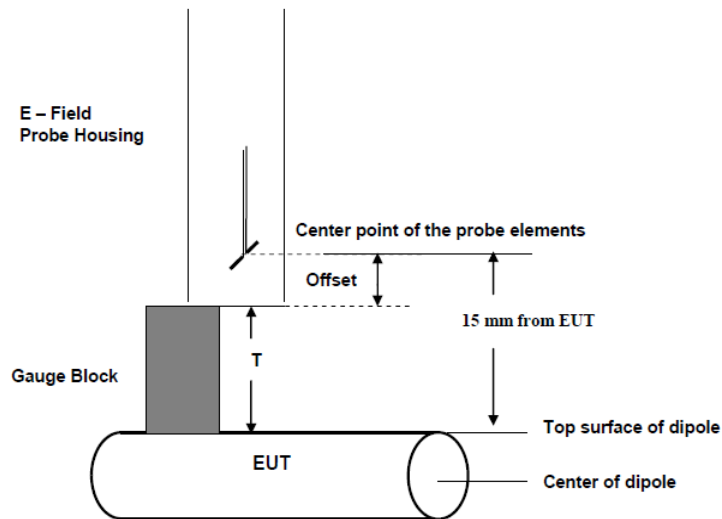


Fig. 8.3 Gauge block with E-field probe

**8. Test Equipment List**

| Manufacturer | Name of Equipment | Type/Model | Serial Number | Calibration | |
|---------------|------------------------------|------------|---------------|---------------|---------------|
| | | | | Last Cal. | Due Date |
| SPEAG | 835MHz Calibration Dipole | CD835V3 | 1045 | Sep. 19, 2018 | Sep. 17, 2020 |
| SPEAG | 1880MHz Calibration Dipole | CD1880V3 | 1038 | Sep. 19, 2018 | Sep. 17, 2020 |
| SPEAG | 2450MHz Calibration Dipole | CD2450V3 | 1186 | Jan. 30, 2019 | Jan. 28, 2021 |
| SPEAG | 2600Mhz Calibration Dipole | CD2600V3 | 1010 | Mar. 14, 2019 | Mar. 13, 2020 |
| SPEAG | Isotropic E-Field Probe | EF3DV3 | 4047 | Jan. 24, 2020 | Jan. 23, 2021 |
| SPEAG | Data Acquisition Electronics | DAE4 | 1311 | Aug. 27, 2019 | Aug. 26, 2020 |
| Testo | Hygro meter | 608-H1 | 45207528 | Nov. 18, 2019 | Nov. 17, 2020 |
| R&S | Base Station | CMW500 | 115793 | Jun. 04, 2019 | Jun. 03, 2020 |
| R&S | Base Station | CMU200 | 117591 | Dec. 09, 2019 | Dec. 08, 2020 |
| SPEAG | Test Arch Phantom | N/A | N/A | NCR | NCR |
| SPEAG | Phone Positioner | N/A | N/A | NCR | NCR |
| R&S | Signal Generator | SAM100A | 101091 | Jul. 03, 2019 | Jul. 02, 2020 |
| Anritsu | Power Meter | ML2495A | 1419002 | May. 29, 2019 | May. 28, 2020 |
| Anritsu | Power Sensor | MA2411B | 13399124 | May. 29, 2019 | May. 28, 2020 |
| ATM | Dual Directional Coupler | C122H-10 | P610410z-02 | NCR | NCR |
| Woken | Attenuator | WK0602-XX | N/A | NCR | NCR |
| Agilent | Spectrum Analyzer | E4408B | MY44211028 | Aug. 27, 2019 | Aug. 26, 2020 |
| Mini-Circuits | Power Amplifier | ZVE-8G+ | 6418 | Oct. 16, 2019 | Oct. 15, 2020 |
| Mini-Circuits | Power Amplifier | ZHL-42W+ | 715701915 | May. 10, 2019 | May. 09, 2020 |

Note:

1. NCR: "No-Calibration Required"
2. Referring to KDB 865664 D01v01r04, the dipole calibration interval can be extended to 3 years with justification. The dipoles are also not physically damaged, or repaired during the interval.
3. The justification data of dipole CD835V3, SN: 1045, CD1880V3, SN: 1038, CD2450V3, SN: 1186, can be found in appendix C. The return loss is < -20dB, within 20% of prior calibration, the impedance is within 5 ohm of prior calibration.

9. Measurement System Validation

Each DASY system is equipped with one or more system validation kits. These units, together with the predefined measurement procedures within the DASY software, enable the user to conduct the system performance check and system validation. System validation kit includes a dipole, tripod holder to fix it underneath the test Arch and a corresponding distance holder.

The system performance check verifies that the system operates within its specifications. System and operator errors can be detected and corrected. It is recommended that the system performance check be performed prior to any usage of the system in order to guarantee reproducible results. The system performance check uses normal HAC measurements in a simplified setup with a well characterized source. This setup was selected to give a high sensitivity to all parameters that might fail or vary over time. The system check does not intend to replace the calibration of the components, but indicates situations where the system uncertainty is exceeded due to drift or failure.

<Test Setup>

1. In the simplified setup for system evaluation, the EUT is replaced by a calibrated dipole and the power source is replaced by a continuous wave which comes from a signal generator.
2. The center point of the probe element(s) is 15mm from the closest surface of the dipole elements.
3. The calibrated dipole must be placed beneath the arch phantom. The equipment setup is shown below:
4. The output power on dipole port must be calibrated to 20dBm (100mW) before dipole is connected.

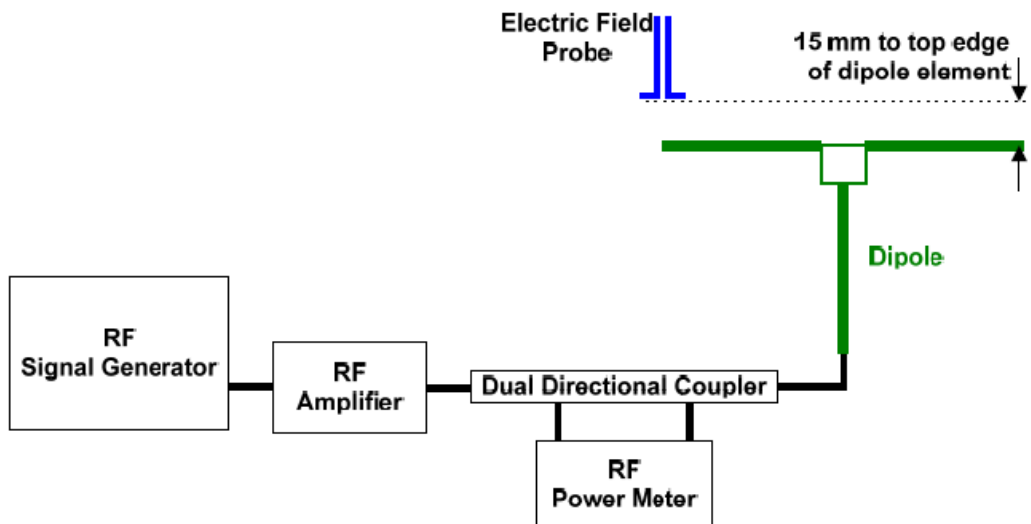


Fig. 7.1 Setup Diagram

<Validation Results>

Comparing to the original E-field value provided by SPEAG, the verification data should be within its specification of 25 %. Table 6.1 shows the target value and measured value. The table below indicates the system performance check can meet the variation criterion and the plots can be referred to appendix A of this report.

$$\text{Deviation} = ((\text{Average E-field Value}) - (\text{Target value})) / (\text{Target value}) * 100\%$$

| Frequency (MHz) | Input Power (dBm) | Target Value (V/m) | E-Field above high end (V/m) | E-Field above low end (V/m) | Average Value (V/m) | Deviation (%) | Date |
|-----------------|-------------------|--------------------|------------------------------|-----------------------------|---------------------|---------------|--------------|
| 835 | 20 | 108.8 | 110.2 | 107.9 | 109.05 | 0.23 | Apr 01, 2020 |
| 1880 | 20 | 89.5 | 86.42 | 85.7 | 86.06 | -3.84 | Apr 01, 2020 |
| 2450 | 20 | 84.1 | 85.31 | 85.25 | 85.28 | 1.40 | Apr 15, 2020 |
| 2600 | 20 | 84.5 | 82.4 | 82.48 | 82.44 | -2.44 | Apr 01, 2020 |



10. Modulation Interference Factor

The HAC Standard ANSI C63.19-2011 defines a new scaling using the Modulation Interference Factor (MIF). For any specific fixed and repeatable modulated signal, a modulation interference factor (MIF, expressed in dB) may be developed that relates its interference potential to its steady-state rms signal level or average power level. This factor is a function only of the audio-frequency amplitude modulation characteristics of the signal and is the same for field-strength and conducted power measurements. It is important to emphasize that the MIF is valid only for a specific repeatable audio-frequency amplitude modulation characteristic. Any change in modulation characteristic requires determination and application of a new MIF

The Modulation Interference factor (MIF, in dB) is added to the measured average E-field (in dBV/m) and converts it to the RF Audio Interference level (in dBV/m). This level considers the audible amplitude modulation components in the RF E-field. CW fields without amplitude modulation are assumed to not interfere with the hearing aid electronics. Modulations without time slots and low fluctuations at low frequencies have low MIF values, TDMA modulations with narrow transmission and repetition rates of few 100 Hz have high MIF values and give similar classifications as ANSI C63.19-2011.

ER3D, EF3D and EU2D E-field probes have a bandwidth <10 kHz and can therefore not evaluate the RF envelope in the full audio band. DASY52 is therefore using the indirect measurement method according to ANSI C63.19-2011 which is the primary method. These near field probes read the averaged E-field measurement. Especially for the new high peak-to-average (PAR) signal types, the probes shall be linearized by PMR calibration in order to not overestimate the field reading. Probe Modulation Response (PMR) calibration linearizes the probe response over its dynamic range for specific modulations which are characterized by their UID and result in an uncertainty specified in the probe calibration certificate. The MIF is characteristic for a given waveform envelope and can be used as a constant conversion factor if the probe has been PMR calibrated.

The evaluation method for the MIF is defined in ANSI C63.19-2011 section D.7. An RMS demodulated RF signal is fed to a spectral filter (similar to an A weighting filter) and forwarded to a temporal filter acting as a quasi-peak detector. The averaged output of these filtering is scaled to a 1 kHz 80% AM signal as reference. MIF measurement requires additional instrumentation and is not well suited for evaluation by the end user with reasonable uncertainty. It may alternatively be determined through analysis and simulation, because it is constant and characteristic for a communication signal. DASY52 uses well-defined signals for PMR calibration. The MIF of these signals has been determined by simulation and it is automatically applied.

The MIF measurement uncertainty is estimated as follows, declared by HAC equipment provider SPEAG, for modulation frequencies from slotted waveforms with fundamental frequency and at least 2 harmonics within 10 kHz:

- 1. 0.2 dB for MIF: -7 to +5 dB
2. 0.5 dB for MIF: -13 to +11 dB
3. 1 dB for MIF: > -20 dB

MIF values applied in this test report were provided by the HAC equipment provider of SPEAG, and the worst values for all air interface are listed below to be determine the Low-power Exemption.

Table with 3 columns: UID, Communication System Name, MIF(dB). Rows include GSM-FDD, EDGE-FDD, UMTS-FDD, LTE-FDD, LTE-TDD, IEEE 802.11b WiFi, IEEE 802.11g WiFi, IEEE 802.11n, IEEE 802.11a/h WiFi, and IEEE 802.11ac WiFi.



11. Low-power Exemption

<Max Tune-up Limit>

| Frequency Band | | Average Power (dBm) | |
|----------------|------------|---------------------|----|
| GSM | GSM850 | 33.5 | |
| | EDGE850 | 28 | |
| | GSM1900 | 30.5 | |
| | EDGE1900 | 27 | |
| WCDMA | Band II | 24 | |
| | Band IV | 24 | |
| | Band V | 24 | |
| | HSPA | 23 | |
| FDD LTE | Band 2 | 24 | |
| | Band 4/66 | 24 | |
| | Band 5/26 | 24 | |
| | Band 7 | 24 | |
| | Band 12/17 | 24 | |
| TDD LTE | Band 38/41 | QPSK | 24 |
| | | 16QAM | 23 |
| | | 64QAM | 22 |

| Frequency Band | Average Power (dBm) |
|----------------|---------------------|
| 2.4GHz WLAN | 18 |
| 5GHz WLAN | 19.5 |



<Low Power Exemption>

| Air Interface | Max Average Antenna Input Power (dBm) | Worst Case MIF (dB) | Power + MIF(dB) | C63.19 test required |
|---------------|---------------------------------------|---------------------|-----------------|----------------------|
| GSM850 | 33.5 | 3.63 | 37.13 | Yes |
| EDGE850 | 28 | 3.75 | 31.75 | Yes ⁽¹⁾ |
| GSM1900 | 30.5 | 3.63 | 34.13 | Yes |
| EDGE1900 | 27 | 3.75 | 30.75 | Yes ⁽¹⁾ |
| WCDMA | 24 | -25.43 | -1.43 | No |
| WCDMA - HSPA | 23 | -20.39 | 2.61 | No |
| LTE - FDD | 24 | -9.76 | 14.24 | No |
| LTE - TDD | 24 | -1.44 | 22.56 | Yes |
| 2.4GHz WLAN | 18 | 0.12 | 18.12 | Yes |
| 5GHz WLAN | 19.5 | -3.15 | 16.35 | No |

General Note:

1. EDGE data modes is not necessary due the GSM Voice mode is the worst case.
2. According to ANSI C63.19 2011-version, for the air interface technology of a device is exempt from testing when its average antenna input power plus its MIF is ≤ 17 dBm for any of its operating modes.
3. HAC RF rating is M4 for the air interface which meets the low power exemption.



12. Conducted RF Output Power (Unit: dBm)

| Average Antenna Input Power(dBm) | | | | | | |
|----------------------------------|--------|-------|-------|---------|--------|--------|
| Band | GSM850 | | | GSM1900 | | |
| Channel | 128 | 189 | 251 | 512 | 661 | 810 |
| Frequency (MHz) | 824.2 | 836.4 | 848.8 | 1850.2 | 1880.0 | 1909.8 |
| GSM (GMSK, 1 Tx slot) | 33.04 | 33.12 | 33.15 | 30.25 | 30.12 | 30.35 |

<TDD LTE Band 41>

| BW [MHz] | Modulation | RB Size | RB Offset | Power Low Ch. / Freq. | Power Low Middle Ch. / Freq. | Power Middle Ch. / Freq. | Power High Middle Ch. / Freq. | Power High Ch. / Freq. |
|-----------------|------------|---------|-----------|-----------------------|------------------------------|--------------------------|-------------------------------|------------------------|
| Channel | | | | 39750 | 40185 | 40620 | 41055 | 41490 |
| Frequency (MHz) | | | | 2506 | 2549.5 | 2593 | 2636.5 | 2680 |
| 20 | QPSK | 1 | 0 | 22.56 | 22.63 | 22.67 | 22.42 | 22.55 |

| 2.4GHz WLAN | Mode | Channel | Frequency (MHz) | Average power (dBm) |
|-------------|---------------|---------|-----------------|---------------------|
| | 802.11g 6Mbps | 1 | 2412 | 17.22 |
| | | 6 | 2437 | 17.15 |
| | | 11 | 2462 | 17.18 |



13. HAC RF Emission Test Results

| Plot No. | Air Interface | Mode | Channel | Average Antenna Input Power (dBm) | MIF | E-Field (dBV/m) | Margin to FCC M3 limit (dB) | E-Field M Rating |
|----------|---------------|---------------|---------|-----------------------------------|-------|-----------------|-----------------------------|------------------|
| 1 | GSM850 | GSM Voice | 128 | 33.04 | 3.63 | 37.71 | 7.29 | M4 |
| 2 | GSM850 | GSM Voice | 189 | 33.12 | 3.63 | 37.53 | 7.47 | M4 |
| 3 | GSM850 | GSM Voice | 251 | 33.15 | 3.63 | 37.21 | 7.79 | M4 |
| 4 | GSM1900 | GSM Voice | 512 | 30.25 | 3.63 | 27.56 | 7.44 | M4 |
| 5 | GSM1900 | GSM Voice | 661 | 30.12 | 3.63 | 26.17 | 8.83 | M4 |
| 6 | GSM1900 | GSM Voice | 810 | 30.35 | 3.63 | 25.75 | 9.25 | M4 |
| 7 | LTE Band 41 | 20M_QPSK_1_0 | 40140 | 22.56 | -1.44 | 20.29 | 14.71 | M4 |
| 8 | LTE Band 41 | 20M_QPSK_1_0 | 40390 | 22.63 | -1.44 | 23.31 | 11.69 | M4 |
| 9 | LTE Band 41 | 20M_QPSK_1_0 | 40640 | 22.67 | -1.44 | 21.37 | 13.63 | M4 |
| 10 | LTE Band 41 | 20M_QPSK_1_0 | 40890 | 22.42 | -1.44 | 24.31 | 10.69 | M4 |
| 11 | LTE Band 41 | 20M_QPSK_1_0 | 41140 | 22.55 | -1.44 | 23.17 | 11.83 | M4 |
| 12 | WLAN2.4GHz | 802.11g 6Mbps | 1 | 17.22 | 0.12 | 33.36 | 1.64 | M3 |
| 13 | WLAN2.4GHz | 802.11g 6Mbps | 6 | 17.15 | 0.12 | 33.38 | 1.62 | M3 |
| 14 | WLAN2.4GHz | 802.11g 6Mbps | 11 | 17.18 | 0.12 | 33.59 | 1.41 | M3 |

Remark:

- 1. The HAC measurement system applies MIF value onto the measured RMS E-field, which is indirect method in ANSI C63.19 2011 version, and reports the RF audio interference level.
- 2. Phone Condition: Mute on; Backlight off; Max Volume

Test Engineer : Bevis Chang.



14. Uncertainty Assessment

The component of uncertainty may generally be categorized according to the methods used to evaluate them. The evaluation of uncertainty by the statistical analysis of a series of observations is termed a Type A evaluation of uncertainty. The evaluation of uncertainty by means other than the statistical analysis of a series of observation is termed a Type B evaluation of uncertainty. Each component of uncertainty, however evaluated, is represented by an estimated standard deviation, termed standard uncertainty, which is determined by the positive square root of the estimated variance.

The combined standard uncertainty of the measurement result represents the estimated standard deviation of the result. It is obtained by combining the individual standard uncertainties of both Type A and Type B evaluation using the usual “root-sum-squares” (RSS) methods of combining standard deviations by taking the positive square root of the estimated variances. Expanded uncertainty is a measure of uncertainty that defines an interval about the measurement result within which the measured value is confidently believed to lie. It is obtained by multiplying the combined standard uncertainty by a coverage factor. For purpose of this document, a coverage factor two is used, which corresponds to confidence interval of about 95 %. The DASY uncertainty Budget is showed in Table 12.1.

The judgment of conformity in the report is based on the measurement results excluding the measurement uncertainty.



| Error Description | Uncertainty Value (±%) | Probability Distribution | Divisor | Ci (E) | Standard Uncertainty (E) |
|------------------------------------|------------------------|--------------------------|---------|--------|--------------------------|
| Measurement System | | | | | |
| Probe Calibration | 5.1 | Normal | 1 | 1 | ± 5.1 % |
| Axial Isotropy | 4.7 | Rectangular | √3 | 1 | ± 2.7 % |
| Sensor Displacement | 16.5 | Rectangular | √3 | 1 | ± 9.5 % |
| Boundary Effects | 2.4 | Rectangular | √3 | 1 | ± 1.4 % |
| Phantom Boundary Effects | 7.2 | Rectangular | √3 | 1 | ± 4.1 % |
| Linearity | 4.7 | Rectangular | √3 | 1 | ± 2.7 % |
| Scaling with PMR Calibration | 10.0 | Rectangular | √3 | 1 | ± 5.77 % |
| System Detection Limit | 1.0 | Rectangular | √3 | 1 | ± 0.6 % |
| Readout Electronics | 0.3 | Normal | 1 | 1 | ± 0.3 % |
| Response Time | 0.8 | Rectangular | √3 | 1 | ± 0.5 % |
| Integration Time | 2.6 | Rectangular | √3 | 1 | ± 1.5 % |
| RF Ambient Conditions | 3.0 | Rectangular | √3 | 1 | ± 1.7 % |
| RF Reflections | 12.0 | Rectangular | √3 | 1 | ± 6.9 % |
| Probe Positioner | 1.2 | Rectangular | √3 | 1 | ± 0.7 % |
| Probe Positioning | 4.7 | Rectangular | √3 | 1 | ± 2.7 % |
| Extrap. and Interpolation | 1.0 | Rectangular | √3 | 1 | ± 0.6 % |
| Test Sample Related | | | | | |
| Device Positioning Vertical | 4.7 | Rectangular | √3 | 1 | ± 2.7 % |
| Device Positioning Lateral | 1.0 | Rectangular | √3 | 1 | ± 0.6 % |
| Device Holder and Phantom | 2.4 | Rectangular | √3 | 1 | ± 1.4 % |
| Power Drift | 5.0 | Rectangular | √3 | 1 | ± 2.9 % |
| Phantom and Setup Related | | | | | |
| Phantom Thickness | 2.4 | Rectangular | √3 | 1 | ± 1.4 % |
| Combined Standard Uncertainty | | | | | ± 16.30 % |
| Coverage Factor for 95 % | | | | | K = 2 |
| Expanded Std. Uncertainty on Power | | | | | ± 32.6 % |
| Expanded Std. Uncertainty on Field | | | | | ± 16.3 % |

Table 12.1 Uncertainty Budget of HAC free field assessment

Remark:

Worst-Case uncertainty budget for HAC free field assessment according to ANSIC63.19 [1], [2]. The budget is valid for the frequency range 700 MHz - 3 GHz and represents a worst case analysis.



15. References

- [1] ANSI C63.19-2011, "American National Standard for Methods of Measurement of Compatibility between Wireless Communications Devices and Hearing Aids", 27 May 2011.
- [2] FCC KDB 285076 D01v05, "Equipment Authorization Guidance for Hearing Aid Compatibility", Sep 2017
- [3] FCC KDB 285076 D02v03, "Guidance for performing T-Coil tests for air interfaces supporting voice over IP (e.g., LTE and WiFi) to support CMRS based telephone services", Sep 2017
- [4] FCC KDB 285076 D03v01, "Hearing aid compatibility frequently asked questions", Sep 2017
- [5] SPEAG DASY System Handbook