



FCC Test Report

APPLICANT : Motorola Mobility LLC
EQUIPMENT : Mobile Cellular Phone
BRAND NAME : Motorola
MODEL NAME : 10714
FCC ID : IHDT56WC6
STANDARD : FCC 47 CFR FCC Part 15 Subpart B
CLASSIFICATION : Certification

The product was received on Jun. 12, 2017 and testing was completed on Jul. 01, 2017. We, Sporton International (KunShan) INC., would like to declare that the tested sample has been evaluated in accordance with the test procedures given in ANSI C63.4-2014 and has been in compliance with the applicable technical standards.

The test results in this report apply exclusively to the tested model / sample. Without written approval of Sporton International (KunShan) INC., the test report shall not be reproduced except in full.

Prepared by: James Huang / Manager



Approved by: Jones Tsai / Manager

Sporton International (KunShan) INC.
No.3-2, Pingxiang Road, Kunshan Development Zone, Jiangsu, China



TABLE OF CONTENTS

REVISION HISTORY..... 3

SUMMARY OF TEST RESULT 4

1. GENERAL DESCRIPTION 5

 1.1. Applicant..... 5

 1.2. Manufacturer 5

 1.3. Product Feature of Equipment Under Test 5

 1.4. Product Specification of Equipment Under Test 6

 1.5. Specification of Accessory 7

 1.6. Modification of EUT 7

 1.7. Test Location 8

 1.8. Applicable Standards 8

2. TEST CONFIGURATION OF EQUIPMENT UNDER TEST 9

 2.1. Test Mode 9

 2.2. Connection Diagram of Test System 10

 2.3. Support Unit used in test configuration and system 11

 2.4. EUT Operation Test Setup 11

3. TEST RESULT 12

 3.1. Test of Radiated Emission Measurement 12

4. LIST OF MEASURING EQUIPMENT 16

5. UNCERTAINTY OF EVALUATION 17

APPENDIX A. SETUP PHOTOGRAPHS

APPENDIX B. PRODUCT EQUALITY DECLARATION

APPENDIX C. ORIGINAL REPORT



SUMMARY OF TEST RESULT

Report Section	FCC Rule	Description	Limit	Result	Remark
3.1	15.109	Radiated Emission	< 15.109 limits	PASS	Under limit 7.22 dB at 194.700 MHz



1. General Description

1.1. Applicant

Motorola Mobility LLC
222 W, Merchandise Mart Plaza, Chicago IL 60654 USA

1.2. Manufacturer

Motorola Mobility LLC
222 W, Merchandise Mart Plaza, Chicago IL 60654 USA

1.3. Product Feature of Equipment Under Test

Product Feature	
Equipment	Mobile Cellular Phone
Brand Name	Motorola
Model Name	10714
FCC ID	IHDT56WC6
EUT supports Radios application	GSM/GPRS/EGPRS/WCDMA/HSPA/DC-HSDPA/HSPA+/LTE WLAN 2.4GHz 802.11b/g/n HT20 Bluetooth v3.0 + EDR/Bluetooth v4.0 LE/ Bluetooth v4.1 LE/Bluetooth v4.2 LE
IMEI Code	Radiation: 355641080084033/355641080084041
HW Version	WKGMA1A4-3
SW Version	woods- userdebug 7.0 NMA25.27 314 intcfg,test-keys
EUT Stage	Identical Prototype

Remark:

1. The above EUT's information was declared by manufacturer. Please refer to the specifications or user's manual for more detailed description.
2. This is a variant report for 10714. The product equality declaration could be referred to Appendix B. Based on the original test reports, only the worst cases of Radiated Emission were verified for the differences. All other test cases were performed on original report which can be referred to Sporton Report Number FC711913.



1.4. Product Specification of Equipment Under Test

Standards-related Product Specification	
Tx Frequency	GSM850: 824.2 MHz ~ 848.8 MHz GSM1900: 1850.2 MHz ~ 1909.8MHz WCDMA Band V: 826.4 MHz ~ 846.6 MHz WCDMA Band II: 1852.4 MHz ~ 1907.6 MHz LTE Band 5 : 824.7 MHz ~ 848.3 MHz LTE Band 7 : 2502.5 MHz ~ 2567.5 MHz LTE Band 38 : 2572.5 MHz ~ 2617.5 MHz 802.11b/g/n: 2412 MHz ~ 2462 MHz Bluetooth: 2402 MHz ~ 2480 MHz
Rx Frequency	GSM850: 869.2 MHz ~ 893.8 MHz GSM1900: 1930.2 MHz ~ 1989.8 MHz WCDMA Band V: 871.4 MHz ~ 891.6 MHz WCDMA Band II: 1932.4 MHz ~ 1987.6 MHz LTE Band 5 : 869.7 MHz ~ 893.3 MHz LTE Band 7: 2622.5 MHz ~ 2687.5 MHz LTE Band 38: 2572.5 MHz ~ 2617.5 MHz 802.11b/g/n: 2412 MHz ~ 2462 MHz Bluetooth: 2402 MHz ~ 2480 MHz GPS : 1.57542 GHz FM : 88 MHz ~ 108 MHz
Antenna Type	WWAN : PIFA Antenna WLAN : PIFA Antenna Bluetooth : PIFA Antenna GPS: PIFA Antenna FM: External headset Antenna
Type of Modulation	GSM: GMSK GPRS: GMSK EDGE(MCS 0-4): GMSK / (MCS 5-9): 8PSK WCDMA : BPSK (Uplink) HSDPA/DC-HSDPA : QPSK (Uplink) HSUPA : QPSK (Uplink) HSPA+ : 16QAM DC-HSDPA : 64QAM LTE: QPSK / 16QAM / 64QAM(Downlink only) 802.11b : DSSS (DBPSK / DQPSK / CCK) 802.11g/n : OFDM (BPSK / QPSK / 16QAM / 64QAM) Bluetooth LE : GFSK Bluetooth (1Mbps) : GFSK Bluetooth (2Mbps) : $\pi/4$ -DQPSK Bluetooth (3Mbps) : 8-DPSK GPS : BPSK FM

1.5. Specification of Accessory

Specification of Accessory			
AC Adapter IN	Brand Name	Motorola (AcBel)	Model Name C-P45 SPN5952A
	Power Rating	I/P: 100-240 Vac, 130mA, O/P: 5 Vdc, 1000mA	
AC Adapter US	Brand Name	Motorola (AcBel)	Model Name C-P56 SPN5947A
	Power Rating	I/P: 100-240 Vac, 130mA, O/P: 5 Vdc, 1000mA	
AC Adapter EU	Brand Name	Motorola (AcBel)	Model Name C-P57 SPN5948A
	Power Rating	I/P: 100-240 Vac, 130mA, O/P: 5 Vdc, 1000mA	
AC Adapter UK	Brand Name	Motorola (AcBel)	Model Name C-P58 SPN5950A
	Power Rating	I/P: 100-240 Vac, 130mA, O/P: 5 Vdc, 1000mA	
AC Adapter AU	Brand Name	Motorola (AcBel)	Model Name C-P59 SPN5957A
	Power Rating	I/P: 100-240 Vac, 130mA, O/P: 5 Vdc, 1000mA	
Battery 1	Brand Name	Motorola (ATL)	Model Name GK40
	Power Rating	3.8Vdc,2685/2800mAh (Min/Typ)	Type Li-ion
Battery 2	Brand Name	Motorola (Sunwoda)	Model Name GK40
	Power Rating	3.8Vdc,2685/2800mAh (Min/Typ)	Type Li-ion
Earphone	Brand Name	Motorola(hetong)	Model Name PY-13A1602-01KC39
	Signal Line Type	1.4 meter, non-shielded cable, without ferrite core	
USB Cable	Brand Name	Motorola (Sai Bao)	Model Name SYD-A015A
	Signal Line Type	1.0 meter, shielded cable, without ferrite core	

1.6. Modification of EUT

No modifications are made to the EUT during all test items.



1.7. Test Location

Test Site	Sporton International (KunShan) INC.	
Test Site Location	No.3-2, Pingxiang Road, Kunshan Development Zone, Jiangsu, China TEL: +86-0512-5790-0158 FAX: +86-0512-5790-0958	
Test Site No.	Sporton Site No.	FCC Registration No.
	03CH02-KS	418269

Note: The test site complies with ANSI C63.4 2014 requirement.

1.8. Applicable Standards

According to the specifications of the manufacturer, the EUT must comply with the requirements of the following standards:

- ♦ FCC 47 CFR FCC Part 15 Subpart B
- ♦ ANSI C63.4-2014

Remark:

1. All test items were verified and recorded according to the standards and without any deviation during the test.
2. For FCC 15 Subpart B - Unintentional Radiators, device supporting USB interface or similar peripherals (defined as the Section 15.3 (r) Peripheral device) acting as a peripheral for personal computers shall be authorized as “The Class B personal computers and peripherals” per the Section 15.101 (a) Equipment authorization of unintentional radiators.
3. For other Unintentional Radiators features of this EUT, test reports are be issued separately.
Per the Note of the Section 15.101, when device supports features (USB, FM Radio, digital devices...etc) more than one category of authorization, type of authorization shall be appropriately chosen for FCC 15B compliance rule, and the Section 15.101 (b), only those receivers that operate (tune) within the frequency range of 30-960 MHz, CB receivers and radar detectors are subject to the authorizations shown in paragraph (a) of the Section 15.101. However, receivers indicated as being subject to Declaration of Conformity that are contained within a transceiver, the transmitter portion of which is subject to certification, shall be authorized under the verification procedure.



2. Test Configuration of Equipment Under Test

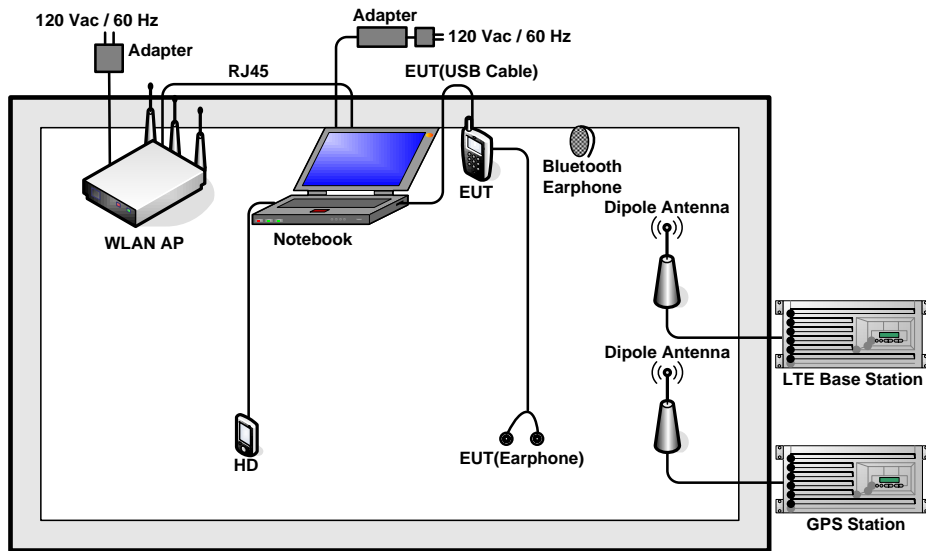
2.1. Test Mode

The EUT has been associated with peripherals pursuant to ANSI C63.4-2014 and configuration operated in a manner tended to maximize its emission characteristics in a typical application.

Frequency range investigated: conduction (150 kHz to 30 MHz), radiation (30MHz to the 5th harmonic of the highest fundamental frequency or to 40 GHz, whichever is lower).

Test Items	Function Type
Radiated Emissions	Mode 1 : LTE Band 5 Idle + Bluetooth Idle + WLAN Idle + Earphone + USB Cable(Data Link with Notebook) + Battery 2 + GPS Rx + SIM1

2.2. Connection Diagram of Test System



2.3. Support Unit used in test configuration and system

Item	Equipment	Trade Name	Model Name	FCC ID	Data Cable	Power Cord
1.	LTE Base Station	Anritsu	MT8820C	N/A	N/A	Unshielded, 1.8 m
2.	GPS Station	ADIVIC	MP9000	N/A	N/A	Unshielded, 1.8 m
3.	WLAN AP	TP-LINK	TL-WDR5600	N/A	N/A	Unshielded, 1.8 m
4.	Notebook	Dell	Latitude3440	N/A	N/A	AC I/P: Unshielded, 1.8 m DC O/P: Shielded, 1.8 m
5.	Bluetooth Earphone	Lenovo	LBH301	QTLBH-106	N/A	N/A
6.	Hard Disk	Lenovo	F310	FCC DoC	Shielded, 0.5 m	N/A
7.	SD Card	SanDisk	Uitra	N/A	N/A	N/A

2.4. EUT Operation Test Setup

The EUT was in LTE idle mode during the testing. The EUT was synchronized to the BCCH, and is in continuous receiving mode by setting system simulator's paging reorganization.

At the same time, the EUT was attached to the Bluetooth earphone or WLAN AP, and the following programs installed in the EUT were programmed during the test.

1. Data application is transferred between Notebook and EUT via USB cable.
2. Turn on GPS function to make the EUT receive continuous signals from GPS station.



3. Test Result

3.1. Test of Radiated Emission Measurement

3.1.1. Limit of Radiated Emission

The emissions from an unintentional radiator shall not exceed the field strength levels specified in the following table:

Frequency (MHz)	Field Strength (microvolts/meter)	Measurement Distance (meters)
30 – 88	100	3
88 – 216	150	3
216 - 960	200	3
Above 960	500	3

3.1.2. Measuring Instruments

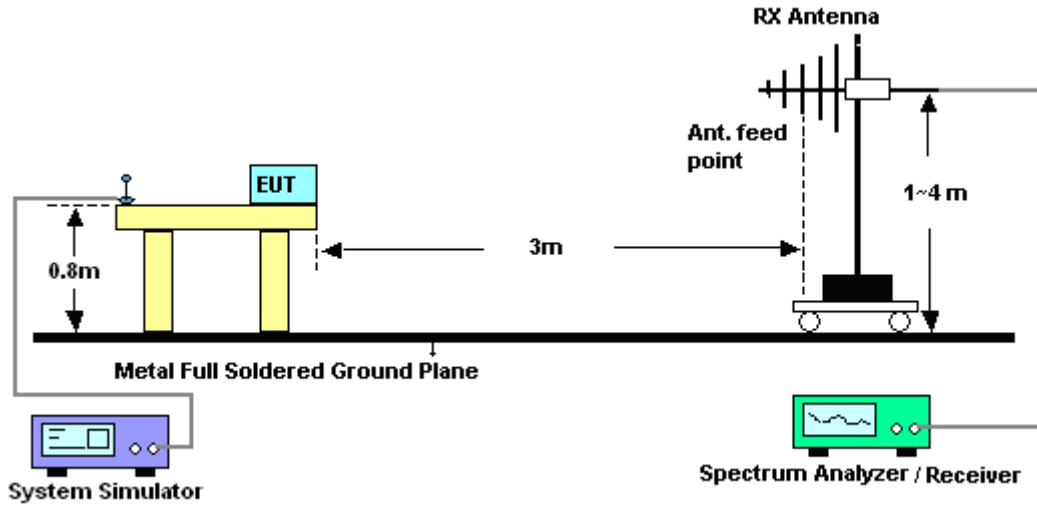
The measuring equipment is listed in the section 4 of this test report.

3.1.3. Test Procedures

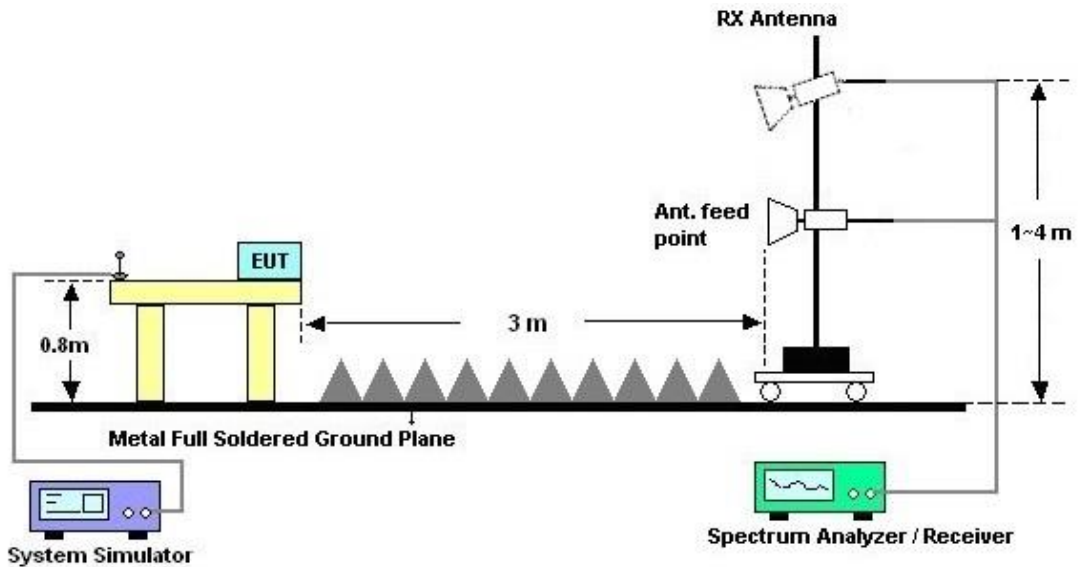
1. The EUT was placed on a turntable with 0.8 meter above ground.
2. The EUT was set 3 meters from the interference receiving antenna, which was mounted on the top of a variable height antenna tower.
3. The table was rotated 360 degrees to determine the position of the highest radiation.
4. The antenna is a Bi-Log antenna and its height is adjusted between one to four meters above ground to find the maximum value of the field strength for both horizontal polarization and vertical polarization of the antenna.
5. For each suspected emission, the EUT was arranged to its worst case and then tune the antenna tower (from 1 m to 4 m) and turntable (from 0 degree to 360 degrees) to find the maximum reading.
6. Set the test-receiver system to Peak Detect Function and specified bandwidth with Maximum Hold Mode (RBW=120kHz/VBW=300kHz for frequency below 1GHz; RBW=1MHz VBW=3MHz (Peak), RBW=1MHz/VBW=10Hz (Average) for frequency above 1GHz).
7. If the emission level of the EUT in peak mode was 3 dB lower than the limit specified, peak values of EUT will be reported. Otherwise, the emission will be repeated by using the quasi-peak method and reported.
8. Emission level (dBµV/m) = 20 log Emission level (µV/m)
9. Corrected Reading: Antenna Factor + Cable Loss + Read Level - Preamp Factor = Level

3.1.4. Test Setup of Radiated Emission

For radiated emissions from 30MHz to 1GHz



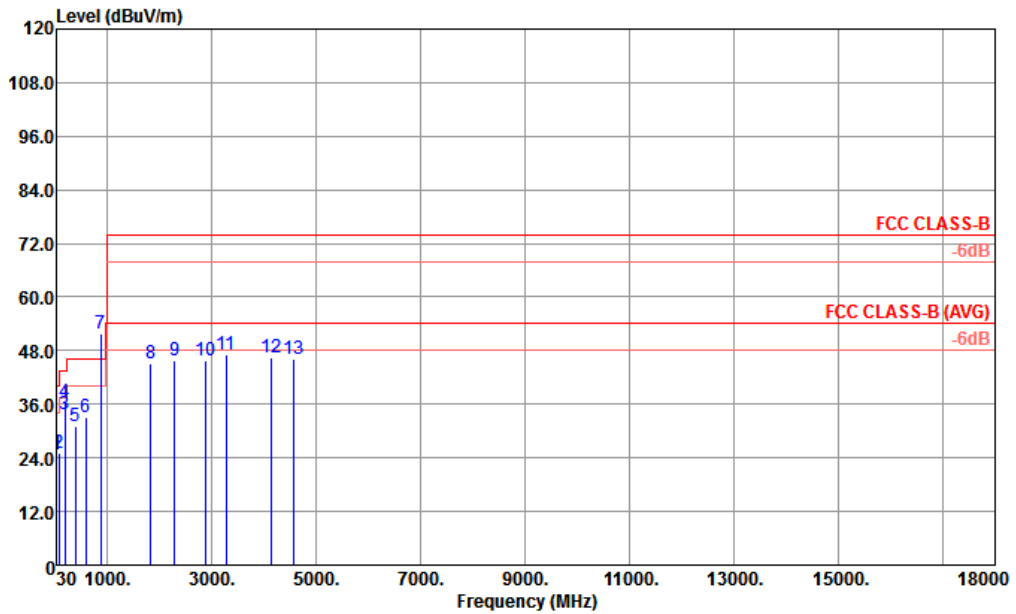
For radiated emissions above 1GHz





3.1.5. Test Result of Radiated Emission

Test Mode :	Mode 1	Temperature :	21~22°C
Test Engineer :	Carl Ni	Relative Humidity :	41~42%
Test Distance :	3m	Polarization :	Horizontal
Function Type :	LTE Band 5 Idle + Bluetooth Idle + WLAN Idle + Earphone + USB Cable(Data Link with Notebook) + Battery 2 + GPS Rx + SIM1		
Remark :	#7 is system simulator signal which can be ignored.		

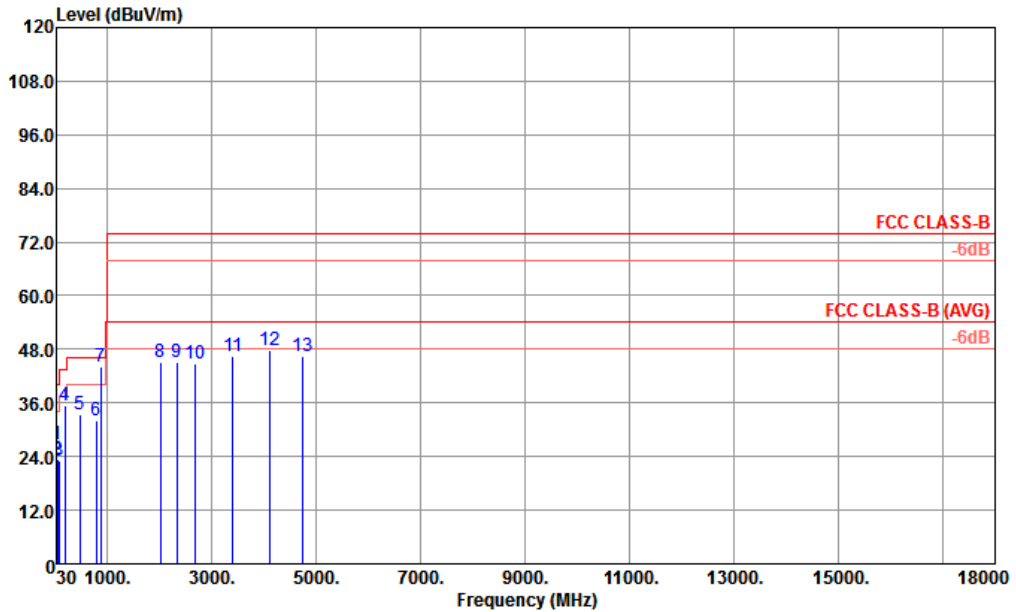


Site : 03CH02-KS
 Condition : FCC CLASS-B 3m 02 LF ANT HORIZONTAL
 Project : (FC) 761213
 Mode : 1
 IMEI : 355641080084033 355641080084041 #3

	Freq	Level	Over	Limit	ReadAntenna	Cable	Preamp	A/Pos	T/Pos	Remark	
	MHz	dBuV/m	dB	dBuV/m	dBuV	dB/m	dB	dB	cm	deg	
1	41.61	24.68	-15.32	40.00	35.29	21.33	0.13	32.07	---	---	Peak
2	85.35	24.91	-15.09	40.00	41.02	15.70	0.21	32.02	---	---	Peak
3	187.68	33.78	-9.72	43.50	48.86	16.21	0.39	31.68	---	---	Peak
4	194.70	36.28	-7.22	43.50	51.60	15.94	0.40	31.66	100	0	Peak
5	397.30	31.14	-14.86	46.00	35.61	25.25	0.91	30.63	---	---	Peak
6	598.90	33.14	-12.86	46.00	37.15	24.60	0.90	29.51	---	---	Peak
7 *	883.80	51.96			50.59	27.36	1.60	27.59	---	---	Peak
8	1832.00	45.06	-28.94	74.00	45.25	29.20	4.57	33.96	---	---	Peak
9	2298.00	45.70	-28.30	74.00	41.27	30.98	5.70	32.25	---	---	Peak
10	2892.00	45.69	-28.31	74.00	40.43	32.05	2.90	29.69	---	---	Peak
11	3285.00	47.24	-26.76	74.00	38.56	33.16	6.01	30.49	---	---	Peak
12	4140.00	46.57	-27.43	74.00	35.69	35.24	6.53	30.89	---	---	Peak
13	4569.00	46.29	-27.71	74.00	37.42	35.55	5.06	31.74	---	---	Peak



Test Mode :	Mode 1	Temperature :	21~22°C
Test Engineer :	Carl Ni	Relative Humidity :	41~42%
Test Distance :	3m	Polarization :	Vertical
Function Type :	LTE Band 5 Idle + Bluetooth Idle + WLAN Idle + Earphone + USB Cable(Data Link with Notebook) + Battery 2 + GPS Rx + SIM1		
Remark :	#7 is system simulator signal which can be ignored.		



Site : 03CH02-KS
 Condition : FCC CLASS-B 3m 02 LF ANT VERTICAL
 Project : (FC) 761213
 Mode : 1
 IMEI : 355641080084033 355641080084041 #3

	Freq	Level	Over	Limit	ReadAntenna	Cable	Preamp	A/Pos	T/Pos	Remark	
	MHz	dBUV/m	dB	dBUV/m	dBuV	dB/m	dB	dB	cm	deg	
1	41.61	26.88	-13.12	40.00	37.49	21.33	0.13	32.07	---	---	Peak
2	50.52	23.39	-16.61	40.00	39.66	15.60	0.15	32.02	---	---	Peak
3	85.62	23.17	-16.83	40.00	39.28	15.70	0.21	32.02	---	---	Peak
4	196.05	35.57	-7.93	43.50	50.87	15.94	0.41	31.65	100	0	Peak
5	479.90	33.38	-12.62	46.00	39.06	23.62	0.92	30.22	---	---	Peak
6	792.80	32.16	-13.84	46.00	32.43	26.53	1.45	28.25	---	---	Peak
7 !	880.30	44.21			42.91	27.35	1.57	27.62	---	---	Peak
8	2022.00	45.14	-28.86	74.00	43.03	30.25	4.61	32.75	---	---	Peak
9	2340.00	45.02	-28.98	74.00	39.83	31.09	5.64	31.54	---	---	Peak
10	2696.00	44.82	-29.18	74.00	40.50	31.62	3.11	30.41	---	---	Peak
11	3414.00	46.62	-27.38	74.00	37.66	33.31	5.94	30.29	---	---	Peak
12	4125.00	47.65	-26.35	74.00	36.86	35.22	6.46	30.89	---	---	Peak
13	4737.00	46.57	-27.43	74.00	37.85	35.41	5.83	32.52	---	---	Peak



4. List of Measuring Equipment

Instrument	Manufacturer	Model No.	Serial No.	Characteristics	Calibration Date	Test Date	Due Date	Remark
EMI Test Receiver	R&S	ESR7	101403	9kHz~7GHz; Max 30dBm	Aug. 09, 2016	Jul. 01, 2017	Aug. 08, 2017	Radiation (03CH02-KS)
EXA Spectrum Analyzer	Keysight	N9010A	MY55150208	10Hz-44G, MAX 30dB	Apr. 18, 2017	Jul. 01, 2017	Apr. 17, 2018	Radiation (03CH02-KS)
Bilog Antenna	TeseQ	CBL6112D	37879	30MHz~2GHz	Aug. 20, 2016	Jul. 01, 2017	Aug. 19, 2017	Radiation (03CH02-KS)
Double Ridge Horn Antenna	ETS-Lindgren	3117	75957	1GHz~18GHz	Oct. 22, 2016	Jul. 01, 2017	Oct. 21, 2017	Radiation (03CH02-KS)
Amplifier	SONOMA	310N	187289	9KHz-1GHz	Aug. 09, 2016	Jul. 01, 2017	Aug. 08, 2017	Radiation (03CH02-KS)
Amplifier	Agilent	8449B	3008A02384	1-26.5GHz Gain 30dB	Oct. 13, 2016	Jul. 01, 2017	Oct. 12, 2017	Radiation (03CH02-KS)
AC Power Source	Chroma	61601	61601000247 3	N/A	NCR	Jul. 01, 2017	NCR	Radiation (03CH02-KS)
Turn Table	MF	MF7802	N/A	0~360 degree	NCR	Jul. 01, 2017	NCR	Radiation (03CH02-KS)
Antenna Mast	MF	MF7802	N/A	1 m~4 m	NCR	Jul. 01, 2017	NCR	Radiation (03CH02-KS)

NCR: No Calibration Required



5. Uncertainty of Evaluation

Uncertainty of Radiated Emission Measurement (30 MHz ~ 1000 MHz)

Measuring Uncertainty for a Level of Confidence of 95% ($U = 2Uc(y)$)	5.2dB
---	-------

Uncertainty of Radiated Emission Measurement (1GHz ~ 18GHz)

Measuring Uncertainty for a Level of Confidence of 95% ($U = 2Uc(y)$)	4.7dB
---	-------



Appendix B. Product Equality Declaration



Appendix C. Original report

Please refer to Sporton Report Number FC711913 which is issued separately.