



# FCC Test Report

**APPLICANT** : Motorola Mobility LLC  
**EQUIPMENT** : Mobile Cellular Phone  
**BRAND NAME** : Motorola  
**MODEL NAME** : 10713  
**FCC ID** : IHDT56WC5  
**STANDARD** : FCC 47 CFR FCC Part 15 Subpart B  
**CLASSIFICATION** : Certification

The product was received on Apr. 27, 2017 and testing was completed on Jun. 05, 2017. We, Sporton International (KunShan) INC., would like to declare that the tested sample has been evaluated in accordance with the test procedures given in ANSI C63.4-2014 and has been in compliance with the applicable technical standards.

The test results in this report apply exclusively to the tested model / sample. Without written approval of Sporton International (KunShan) INC., the test report shall not be reproduced except in full.

Prepared by: James Huang / Manager



Approved by: Jones Tsai / Manager

**Sporton International (KunShan) INC.**  
**No.3-2, Pingxiang Road, Kunshan Development Zone, Jiangsu, China**



# TABLE OF CONTENTS

**REVISION HISTORY..... 3**

**SUMMARY OF TEST RESULT ..... 4**

**1. GENERAL DESCRIPTION ..... 5**

    1.1. Applicant..... 5

    1.2. Manufacturer ..... 5

    1.3. Product Feature of Equipment Under Test ..... 5

    1.4. Product Specification of Equipment Under Test ..... 6

    1.5. Specification of Accessory ..... 7

    1.6. Modification of EUT ..... 7

    1.7. Test Location ..... 8

    1.8. Applicable Standards ..... 8

**2. TEST CONFIGURATION OF EQUIPMENT UNDER TEST ..... 9**

    2.1. Test Mode ..... 9

    2.2. Connection Diagram of Test System ..... 10

    2.3. Support Unit used in test configuration and system ..... 11

    2.4. EUT Operation Test Setup ..... 11

**3. TEST RESULT ..... 12**

    3.1. Test of AC Conducted Emission Measurement ..... 12

    3.2. Test of Radiated Emission Measurement ..... 16

**4. LIST OF MEASURING EQUIPMENT ..... 20**

**5. UNCERTAINTY OF EVALUATION ..... 21**

**APPENDIX A. SETUP PHOTOGRAPHS**



### REVISION HISTORY

REPORT NO.	VERSION	DESCRIPTION	ISSUED DATE
FC742708-01	Rev. 01	Initial issue of report	Jul. 07, 2017



### SUMMARY OF TEST RESULT

Report Section	FCC Rule	Description	Limit	Result	Remark
3.1	15.107	AC Conducted Emission	< 15.107 limits	PASS	Under limit 13.06 dB at 0.442 MHz
3.2	15.109	Radiated Emission	< 15.109 limits	PASS	Under limit 5.05 dB at 181.320 MHz



# 1. General Description

## 1.1. Applicant

Motorola Mobility LLC  
222 W, Merchandise Mart Plaza, Chicago IL 60654 USA

## 1.2. Manufacturer

Motorola Mobility LLC  
222 W, Merchandise Mart Plaza, Chicago IL 60654 USA

## 1.3. Product Feature of Equipment Under Test

Product Feature	
Equipment	Mobile Cellular Phone
Brand Name	Motorola
Model Name	10713
FCC ID	IHDT56WC5
EUT supports Radios application	GSM/GPRS/EGPRS/WCDMA/HSPA/DC-HSDPA/HSPA+/ LTE/NFC/WLAN 2.4GHz 802.11b/g/n HT20 Bluetooth v3.0 + EDR/Bluetooth v4.0 LE/ Bluetooth v4.1 LE/Bluetooth v4.2 LE
IMEI Code	Conduction: 355638080036682 Radiation: 355638080037649
HW Version	WKGMA1A4-3
SW Version	woods- userdebug 7.0 NMA25.27 314 intcfg,test-keys
EUT Stage	Identical Prototype

**Remark:** The above EUT's information was declared by manufacturer. Please refer to the specifications or user's manual for more detailed description.



### 1.4. Product Specification of Equipment Under Test

Standards-related Product Specification	
<b>Tx Frequency</b>	GSM850: 824.2 MHz ~ 848.8 MHz GSM1900: 1850.2 MHz ~ 1909.8MHz WCDMA Band V: 826.4 MHz ~ 846.6 MHz WCDMA Band II: 1852.4 MHz ~ 1907.6 MHz LTE Band 5 : 824.7 MHz ~ 848.3 MHz LTE Band 7 : 2502.5 MHz ~ 2567.5 MHz LTE Band 38 : 2572.5 MHz ~ 2617.5 MHz 802.11b/g/n: 2412 MHz ~ 2462 MHz Bluetooth: 2402 MHz ~ 2480 MHz NFC : 13.56 MHz
<b>Rx Frequency</b>	GSM850: 869.2 MHz ~ 893.8 MHz GSM1900: 1930.2 MHz ~ 1989.8 MHz WCDMA Band V: 871.4 MHz ~ 891.6 MHz WCDMA Band II: 1932.4 MHz ~ 1987.6 MHz LTE Band 5 : 869.7 MHz ~ 893.3 MHz LTE Band 7: 2622.5 MHz ~ 2687.5 MHz LTE Band 38: 2572.5 MHz ~ 2617.5 MHz 802.11b/g/n: 2412 MHz ~ 2462 MHz Bluetooth: 2402 MHz ~ 2480 MHz GPS : 1.57542 GHz FM : 88 MHz ~ 108 MHz NFC : 13.56 MHz
<b>Antenna Type</b>	WWAN : PIFA Antenna WLAN : PIFA Antenna Bluetooth : PIFA Antenna GPS: PIFA Antenna FM: External headset Antenna NFC : PIFA Antenna
<b>Type of Modulation</b>	GSM: GMSK GPRS: GMSK EDGE(MCS 0-4): GMSK / (MCS 5-9): 8PSK WCDMA : BPSK (Uplink) HSDPA/DC-HSDPA : QPSK (Uplink) HSUPA : QPSK (Uplink) HSPA+ : 16QAM DC-HSDPA : 64QAM LTE: QPSK / 16QAM / 64QAM(Downlink only) 802.11b : DSSS (DBPSK / DQPSK / CCK) 802.11g/n : OFDM (BPSK / QPSK / 16QAM / 64QAM) Bluetooth LE : GFSK Bluetooth (1Mbps) : GFSK Bluetooth (2Mbps) : $\pi/4$ -DQPSK Bluetooth (3Mbps) : 8-DPSK GPS : BPSK FM : FM NFC: ASK



### 1.5. Specification of Accessory

Specification of Accessory				
AC Adapter(EU)	Brand Name	Motorola (Chenyang)	Model Name	C-P57 SPN5985A
	Power Rating	I/P: 100-240 Vac, 130mA, O/P: 5.0Vdc, 1000mA		
AC Adapter(US)	Brand Name	Motorola (Chenyang)	Model Name	C-P56 SPN5987A
	Power Rating	I/P: 100-240 Vac, 130mA, O/P: 5.0Vdc, 1000mA		
AC Adapter(UK)	Brand Name	Motorola (Chenyang)	Model Name	C-P58 SPN5981A
	Power Rating	I/P: 100-240 Vac, 130mA, O/P: 5.0Vdc, 1000mA		
AC Adapter(IN)	Brand Name	Motorola (Chenyang)	Model Name	C-P45 SPN5982A
	Power Rating	I/P: 100-240 Vac, 130mA, O/P: 5.0Vdc, 1000mA		
AC Adapter(AU)	Brand Name	Motorola (Chenyang)	Model Name	C-P59 SPN5983A
	Power Rating	I/P: 100-240 Vac, 130mA, O/P: 5.0Vdc, 1000mA		
Battery	Brand Name	Motorola (ATL)	Model Name	GK40
	Power Rating	3.8Vdc,2685/2800mAh (Min/Typ)	Type	Li-ion
Earphone	Brand Name	Motorola (Tenji)	Model Name	TJ101247P
	Signal Line Type	1.32 meter, non-shielded cable, without ferrite core		
USB Cable	Brand Name	Motorola (Liqi)	Model Name	LQ-02300032
	Signal Line Type	1.0 meter, shielded cable, without ferrite core		

### 1.6. Modification of EUT

No modifications are made to the EUT during all test items.



### 1.7. Test Location

<b>Test Site</b>	Sporton International (KunShan) INC.		
<b>Test Site Location</b>	No.3-2, Pingxiang Road, Kunshan Development Zone, Jiangsu, China TEL: +86-0512-5790-0158 FAX: +86-0512-5790-0958		
<b>Test Site No.</b>	<b>Sporton Site No.</b>		<b>FCC Registration No.</b>
	CO01-KS	03CH02-KS	418269

**Note:** The test site complies with ANSI C63.4 2014 requirement.

### 1.8. Applicable Standards

According to the specifications of the manufacturer, the EUT must comply with the requirements of the following standards:

- ♦ FCC 47 CFR FCC Part 15 Subpart B
- ♦ ANSI C63.4-2014

**Remark:**

1. All test items were verified and recorded according to the standards and without any deviation during the test.
2. For FCC 15 Subpart B - Unintentional Radiators, device supporting USB interface or similar peripherals (defined as the Section 15.3 (r) Peripheral device) acting as a peripheral for personal computers shall be authorized as “The Class B personal computers and peripherals” per the Section 15.101 (a) Equipment authorization of unintentional radiators.
3. For other Unintentional Radiators features of this EUT, test reports are be issued separately. Per the Note of the Section 15.101, when device supports features (USB, FM Radio, digital devices...etc) more than one category of authorization, type of authorization shall be appropriately chosen for FCC 15B compliance rule, and the Section 15.101 (b), only those receivers that operate (tune) within the frequency range of 30-960 MHz, CB receivers and radar detectors are subject to the authorizations shown in paragraph (a) of the Section 15.101. However, receivers indicated as being subject to Declaration of Conformity that are contained within a transceiver, the transmitter portion of which is subject to certification, shall be authorized under the verification procedure.



## 2. Test Configuration of Equipment Under Test

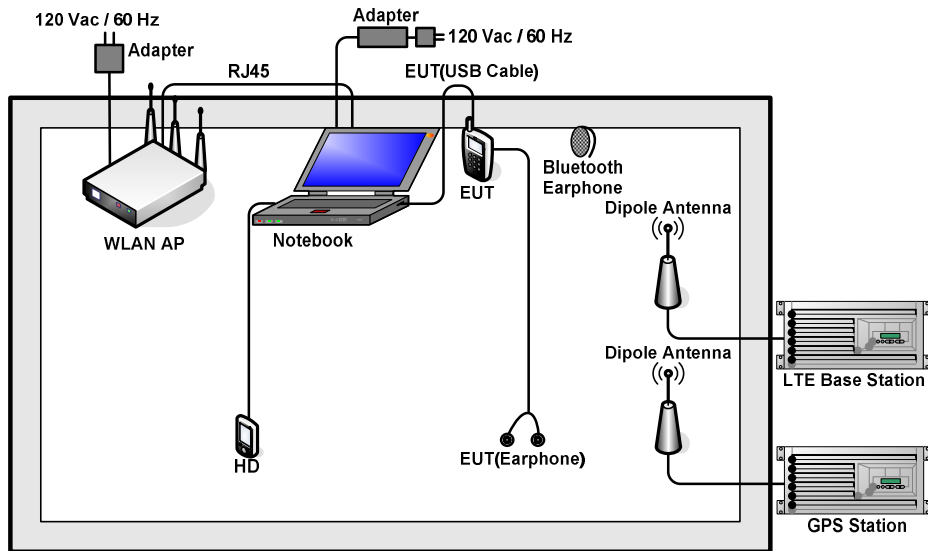
### 2.1. Test Mode

The EUT has been associated with peripherals pursuant to ANSI C63.4-2014 and configuration operated in a manner tended to maximize its emission characteristics in a typical application.

Frequency range investigated: conduction (150 kHz to 30 MHz), radiation (30MHz to the 5th harmonic of the highest fundamental frequency or to 40 GHz, whichever is lower).

Test Items	Function Type
AC Conducted Emission	Mode 1: LTE Band 5 Idle + Bluetooth Idle + WLAN Idle + Earphone + USB Cable (Data Link with Notebook) + Battery + GPS Rx
Radiated Emissions	Mode 1: LTE Band 5 Idle + Bluetooth Idle + WLAN Idle + Earphone + USB Cable (Data Link with Notebook) + Battery + GPS Rx

## 2.2. Connection Diagram of Test System





### 2.3. Support Unit used in test configuration and system

Item	Equipment	Trade Name	Model Name	FCC ID	Data Cable	Power Cord
1.	LTE Base Station	Anritsu	MT8820C	N/A	N/A	Unshielded, 1.8 m
2.	GPS Station	ADIVIC	MP9000	N/A	N/A	Unshielded, 1.8 m
3.	WLAN AP	D-Link	DIR-855	KA2DIR855A2	N/A	Unshielded, 1.8 m
4.	WLAN AP	TP-Link	TL-WDR5600	N/A	N/A	Unshielded, 1.8 m
5.	Notebook	Lenovo	G480	N/A	N/A	AC I/P: Unshielded, 1.8 m DC O/P: Shielded, 1.8 m
6.	Bluetooth Earphone	Lenovo	LBH308	N/A	N/A	N/A
7.	Bluetooth Earphone	Lenovo	LBH301	N/A	N/A	N/A
8.	Hard Disk	Lenovo	F310	FCC DoC	Shielded, 0.5 m	N/A
9.	SD Card	Kingston	8GB	N/A	N/A	N/A
10.	SD Card	SanDisk	Uitra	N/A	N/A	N/A

### 2.4. EUT Operation Test Setup

The EUT was in LTE idle mode during the testing. The EUT was synchronized to the BCCH, and is in continuous receiving mode by setting system simulator’s paging reorganization.

At the same time, the EUT was attached to the Bluetooth earphone or WLAN AP, and the following programs installed in the EUT were programmed during the test.

1. Data application is transferred between Notebook and EUT via USB cable.
2. Turn on GPS function to make the EUT receive continuous signals from GPS station.



### 3. Test Result

#### 3.1. Test of AC Conducted Emission Measurement

##### 3.1.1 Limits of AC Conducted Emission

For equipment that is designed to be connected to the public utility (AC) power line, the radio frequency voltage that is conducted back onto the AC power line on any frequency or frequencies within the band 150 kHz to 30 MHz shall not exceed the limits in the following table.

Frequency of emission (MHz)	Conducted limit (dBuV)	
	Quasi-peak	Average
0.15-0.5	66 to 56*	56 to 46*
0.5-5	56	46
5-30	60	50

\*Decreases with the logarithm of the frequency.

##### 3.1.2 Measuring Instruments

The measuring equipment is listed in the section 4 of this test report.

##### 3.1.3 Test Procedure

1. The EUT was placed 0.4 meter from the conducting wall of the shielding room was kept at least 80 centimeters from any other grounded conducting surface.
2. Connect EUT to the power mains through a line impedance stabilization network (LISN).
3. All the support units are connecting to the other LISN.
4. The LISN provides 50 ohm coupling impedance for the measuring instrument.
5. The FCC states that a 50 ohm, 50 microhenry LISN should be used.
6. Both sides of AC line were checked for maximum conducted interference.
7. The frequency range from 150 kHz to 30 MHz was searched.
8. Set the test-receiver system to Peak Detect Function and specified bandwidth (IF Bandwidth = 9kHz) with Maximum Hold Mode. Then measurement is also conducted by Average Detector and Quasi-Peak Detector Function respectively.

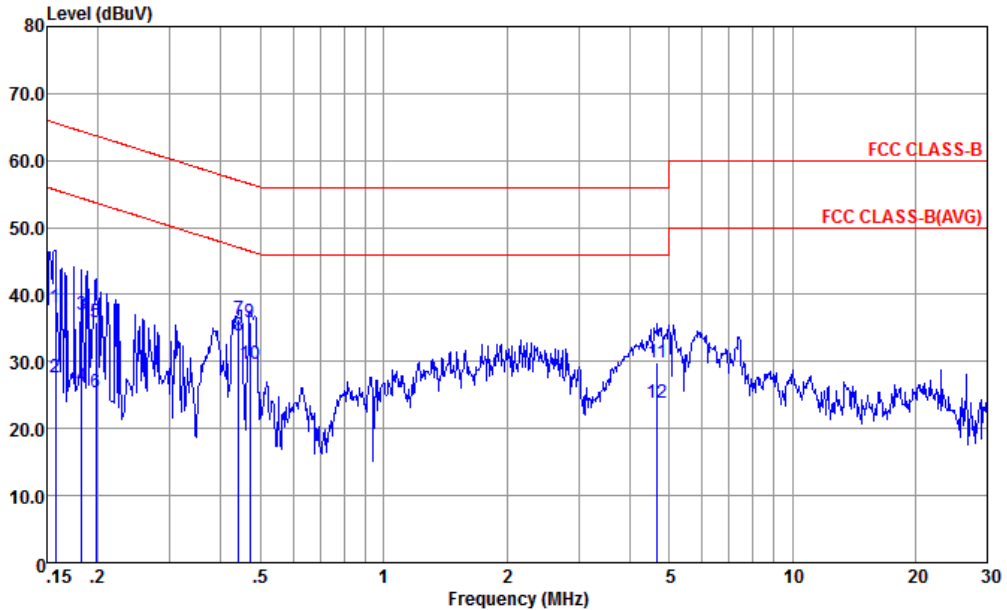
### 3.1.4 Test Setup





3.1.5 Test Result of AC Conducted Emission

Test Mode :	Mode 1	Temperature :	22~24°C
Test Engineer :	Amos Zhang	Relative Humidity :	42~46%
Test Voltage :	120Vac / 60Hz	Phase :	Line
Function Type :	LTE Band 5 Idle + Bluetooth Idle + WLAN Idle + Earphone + USB Cable (Data Link with Notebook) + Battery + GPS Rx		

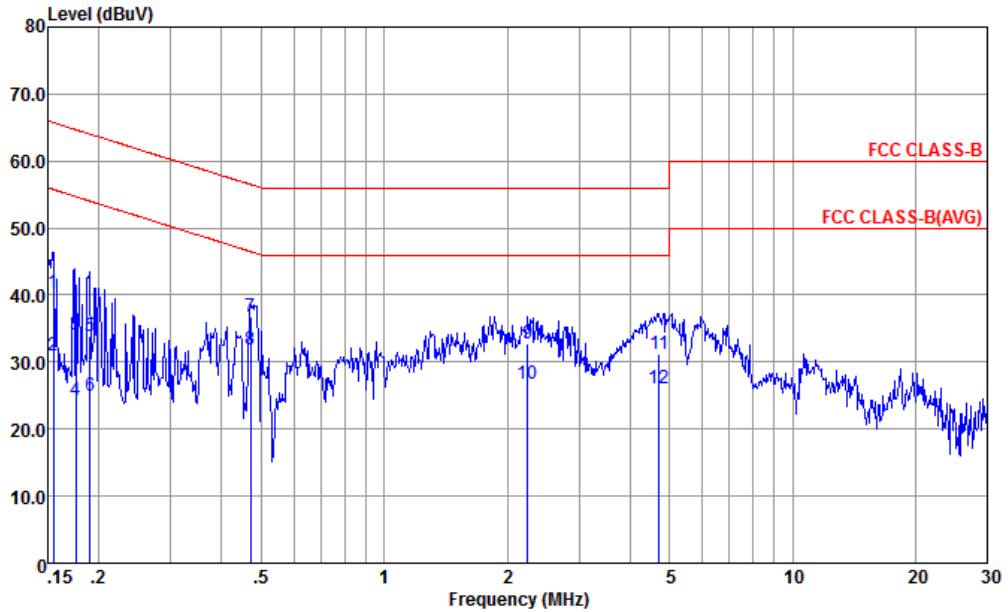


Site : C001-KS  
 Condition : FCC CLASS-B LISN-L-161017-060103 LINE  
 Project : (FC) 742608-01  
 mode : Mode 1  
 : 355638080036682 #10

	Freq	Level	Over Limit	Limit Line	Read Level	LISN Factor	Cable Loss	Remark
	MHz	dBuV	dB	dBuV	dBuV	dB	dB	
1	0.157	38.19	-27.41	65.60	27.31	0.50	10.38	QP
2	0.157	27.69	-27.91	55.60	16.81	0.50	10.38	Average
3	0.182	37.01	-27.37	64.38	26.30	0.36	10.35	QP
4	0.182	26.31	-28.07	54.38	15.60	0.36	10.35	Average
5	0.198	35.91	-27.80	63.71	25.30	0.28	10.33	QP
6	0.198	25.51	-28.20	53.71	14.90	0.28	10.33	Average
7	0.442	36.26	-20.76	57.02	25.80	0.27	10.19	QP
8 *	0.442	33.96	-13.06	47.02	23.50	0.27	10.19	Average
9	0.471	35.86	-20.63	56.49	25.40	0.27	10.19	QP
10	0.471	29.56	-16.93	46.49	19.10	0.27	10.19	Average
11	4.672	29.75	-26.25	56.00	19.30	0.21	10.24	QP
12	4.672	23.75	-22.25	46.00	13.30	0.21	10.24	Average



Test Mode :	Mode 1	Temperature :	22~24°C
Test Engineer :	Amos Zhang	Relative Humidity :	42~46%
Test Voltage :	120Vac / 60Hz	Phase :	Neutral
Function Type :	LTE Band 5 Idle + Bluetooth Idle + WLAN Idle + Earphone + USB Cable (Data Link with Notebook) + Battery + GPS Rx		



Site : CO01-KS  
 Condition : FCC CLASS-B LISN-N-161017-060103 NEUTRAL  
 Project : (FC) 742608-01  
 mode : Mode 1  
 : 355638080036682 #10

	Freq	Level	Over Limit	Limit Line	Read Level	LISN Factor	Cable Loss	Remark
	MHz	dBuV	dB	dBuV	dBuV	dB	dB	
1	0.155	40.33	-25.41	65.74	29.60	0.34	10.39	QP
2	0.155	30.93	-24.81	55.74	20.20	0.34	10.39	Average
3	0.176	34.20	-30.49	64.69	23.51	0.33	10.36	QP
4	0.176	24.30	-30.39	54.69	13.61	0.33	10.36	Average
5	0.190	33.88	-30.14	64.02	23.21	0.33	10.34	QP
6	0.190	24.98	-29.04	54.02	14.31	0.33	10.34	Average
7	0.471	36.87	-19.62	56.49	26.30	0.38	10.19	QP
8 *	0.471	31.77	-14.72	46.49	21.20	0.38	10.19	Average
9	2.249	32.80	-23.20	56.00	22.19	0.41	10.20	QP
10	2.249	26.80	-19.20	46.00	16.19	0.41	10.20	Average
11	4.721	31.22	-24.78	56.00	20.60	0.38	10.24	QP
12	4.721	26.12	-19.88	46.00	15.50	0.38	10.24	Average



### 3.2. Test of Radiated Emission Measurement

#### 3.2.1. Limit of Radiated Emission

The emissions from an unintentional radiator shall not exceed the field strength levels specified in the following table:

Frequency (MHz)	Field Strength (microvolts/meter)	Measurement Distance (meters)
30 – 88	100	3
88 – 216	150	3
216 - 960	200	3
Above 960	500	3

#### 3.2.2. Measuring Instruments

The measuring equipment is listed in the section 4 of this test report.

#### 3.2.3. Test Procedures

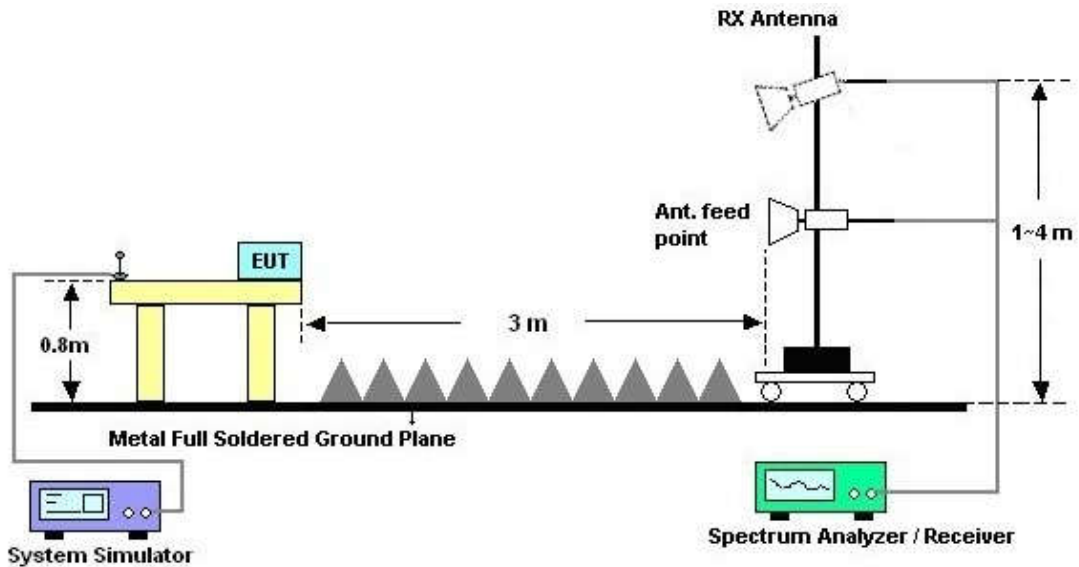
1. The EUT was placed on a turntable with 0.8 meter above ground.
2. The EUT was set 3 meters from the interference receiving antenna, which was mounted on the top of a variable height antenna tower.
3. The table was rotated 360 degrees to determine the position of the highest radiation.
4. The antenna is a Bi-Log antenna and its height is adjusted between one to four meters above ground to find the maximum value of the field strength for both horizontal polarization and vertical polarization of the antenna.
5. For each suspected emission, the EUT was arranged to its worst case and then tune the antenna tower (from 1 m to 4 m) and turntable (from 0 degree to 360 degrees) to find the maximum reading.
6. Set the test-receiver system to Peak Detect Function and specified bandwidth with Maximum Hold Mode (RBW=120kHz/VBW=300kHz for frequency below 1GHz; RBW=1MHz VBW=3MHz (Peak), RBW=1MHz/VBW=10Hz (Average) for frequency above 1GHz).
7. If the emission level of the EUT in peak mode was 3 dB lower than the limit specified, peak values of EUT will be reported. Otherwise, the emission will be repeated by using the quasi-peak method and reported.
8. Emission level (dBµV/m) = 20 log Emission level (µV/m)
9. Corrected Reading: Antenna Factor + Cable Loss + Read Level - Preamp Factor = Level

### 3.2.4. Test Setup of Radiated Emission

For radiated emissions from 30MHz to 1GHz



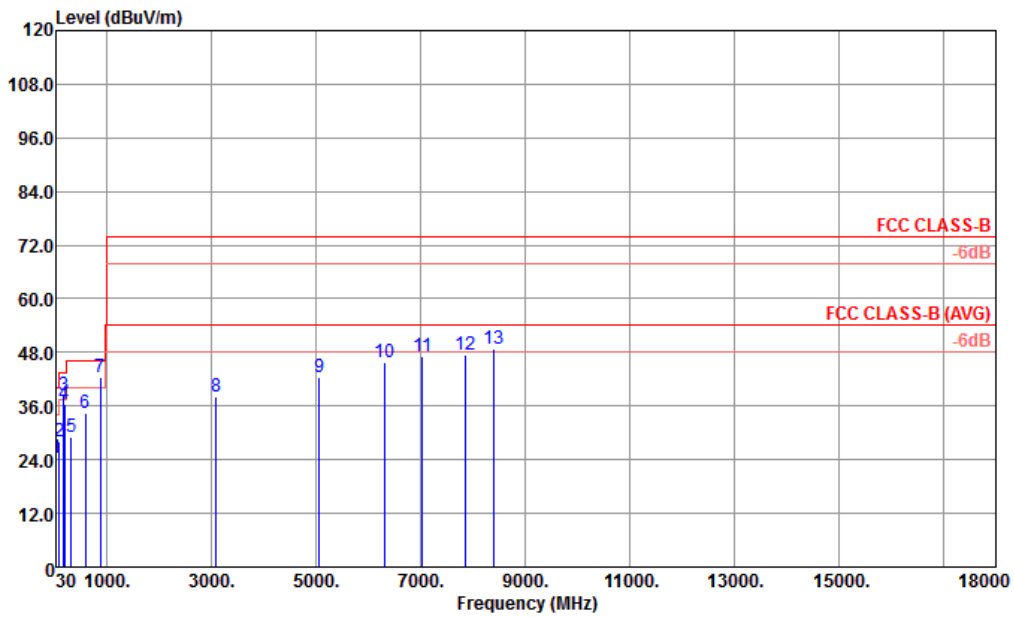
For radiated emissions above 1GHz





3.2.5. Test Result of Radiated Emission

Test Mode :	Mode 1	Temperature :	22~23°C
Test Engineer :	Maker Qi	Relative Humidity :	41~42%
Test Distance :	3m	Polarization :	Horizontal
Function Type :	LTE Band 5 Idle + Bluetooth Idle + WLAN Idle + Earphone + USB Cable (Data Link with Notebook) + Battery + GPS Rx		
Remark :	#7 is system simulator signal which can be ignored.		

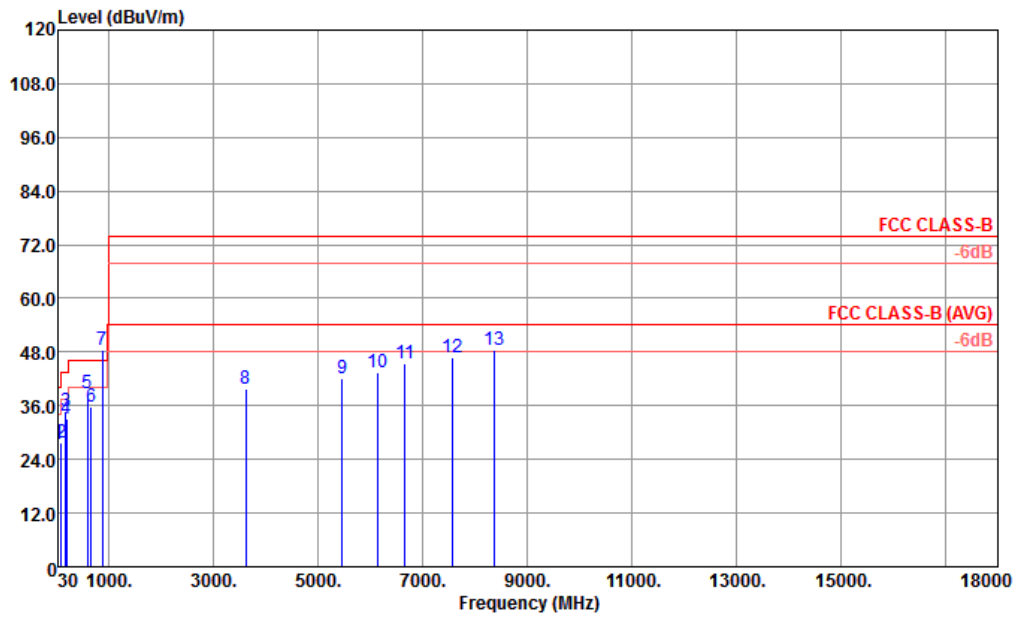


Site : 03CH02-KS  
 Condition : FCC CLASS-B 3m 966-04 LF ANT HORIZONTAL  
 Project : (FC)742708-01  
 Mode : 1  
 IMEI : 355638080037649 #3  
 battery : 36%  
 : PC/NB USB Data Link to EUT(EMMC)

	Freq	Level	Over	Limit	ReadAntenna	Cable	Preamp	A/Pos	T/Pos	Remark	Pol/Phas	
	MHz	dBuV/m	dB	dBuV/m	dBuV	dB/m	dB	dB	cm	deg		
1	30.00	24.26	-15.74	40.00	28.56	26.30	0.50	31.10	---	---	Peak	HORIZONTAL
2	90.14	28.06	-15.44	43.50	40.84	16.90	0.92	30.60	---	---	Peak	HORIZONTAL
3 !	181.32	38.45	-5.05	43.50	51.84	16.30	1.34	31.03	100	218	Peak	HORIZONTAL
4	195.87	36.36	-7.14	43.50	49.90	15.83	1.71	31.08	---	---	Peak	HORIZONTAL
5	327.79	29.24	-16.76	46.00	38.44	20.49	1.81	31.50	---	---	Peak	HORIZONTAL
6	597.45	34.35	-11.65	46.00	37.93	25.46	2.46	31.50	---	---	Peak	HORIZONTAL
7 !	883.60	42.56			41.62	28.90	3.17	31.13	---	---	Peak	HORIZONTAL
8	3096.00	38.26	-35.74	74.00	38.67	26.57	5.49	32.47	---	---	Peak	HORIZONTAL
9	5064.00	42.57	-31.43	74.00	36.56	31.21	6.91	32.11	---	---	Peak	HORIZONTAL
10	6328.00	45.77	-28.23	74.00	36.70	33.43	7.94	32.30	---	---	Peak	HORIZONTAL
11	7040.00	47.24	-26.76	74.00	36.27	34.68	8.36	32.07	---	---	Peak	HORIZONTAL
12	7872.00	47.40	-26.60	74.00	34.84	35.80	8.65	31.89	---	---	Peak	HORIZONTAL
13	8392.00	48.93	-25.07	74.00	35.33	36.36	9.00	31.76	---	---	Peak	HORIZONTAL



Test Mode :	Mode 1	Temperature :	22~23°C
Test Engineer :	Maker Qi	Relative Humidity :	41~42%
Test Distance :	3m	Polarization :	Vertical
Function Type :	LTE Band 5 Idle + Bluetooth Idle + WLAN Idle + Earphone + USB Cable (Data Link with Notebook) + Battery + GPS Rx		
Remark :	#7 is system simulator signal which can be ignored.		



Site : 03CH02-KS  
 Condition : FCC CLASS-B 3m 966-04 LF ANT VERTICAL  
 Project : (FC)742708-01  
 Mode : 1  
 IMEI : 355638080037649 #3  
 battery : 36%  
 : PC/NB USB Data Link to EUT(EMMC)

	Freq	Level	Over	Limit	ReadAntenna	Cable	Preamp	A/Pos	T/Pos	Remark	Pol/Phas	
	MHz	dBuV/m	dB	dBuV/m	dBuV	dB/m	dB	dB	cm	deg		
1	30.00	27.26	-12.74	40.00	31.56	26.30	0.50	31.10	---	---	Peak	VERTICAL
2	90.14	27.67	-15.83	43.50	40.45	16.90	0.92	30.60	---	---	Peak	VERTICAL
3	181.32	34.87	-8.63	43.50	48.26	16.30	1.34	31.03	---	---	Peak	VERTICAL
4	195.87	33.02	-10.48	43.50	46.56	15.83	1.71	31.08	---	---	Peak	VERTICAL
5	597.45	38.64	-7.36	46.00	42.22	25.46	2.46	31.50	107	59	Peak	VERTICAL
6	670.20	35.62	-10.38	46.00	37.23	26.50	2.61	30.72	---	---	Peak	VERTICAL
7 *	880.69	48.43			47.52	28.87	3.18	31.14	---	---	Peak	VERTICAL
8	3616.00	39.73	-34.27	74.00	38.05	28.20	5.71	32.23	---	---	Peak	VERTICAL
9	5472.00	42.12	-31.88	74.00	36.42	30.50	7.37	32.17	---	---	Peak	VERTICAL
10	6144.00	43.45	-30.55	74.00	35.32	32.90	7.72	32.49	---	---	Peak	VERTICAL
11	6672.00	45.44	-28.56	74.00	34.54	34.55	8.27	31.92	---	---	Peak	VERTICAL
12	7576.00	46.70	-27.30	74.00	34.01	35.80	8.56	31.67	---	---	Peak	VERTICAL
13	8376.00	48.52	-25.48	74.00	34.95	36.33	9.01	31.77	---	---	Peak	VERTICAL



## 4. List of Measuring Equipment

Instrument	Manufacturer	Model No.	Serial No.	Characteristics	Calibration Date	Test Date	Due Date	Remark
EMI Receiver	R&S	ESCI7	100768	9kHz~7GHz;	Apr. 20, 2017	Jun. 01, 2017	Apr. 19, 2018	Conduction (CO01-KS)
AC LISN	MessTec	AN3016	060103	9kHz~30MHz	Oct. 13, 2016	Jun. 01, 2017	Oct. 13, 2017	Conduction (CO01-KS)
AC LISN (for auxiliary equipment)	MessTec	AN3016	060105	9kHz~30MHz	Oct. 13, 2016	Jun. 01, 2017	Oct. 13, 2017	Conduction (CO01-KS)
AC Power Source	Chroma	61602	ABP0000008 11	AC 0V~300V, 45Hz~1000Hz	Oct. 13, 2016	Jun. 01, 2017	Oct. 13, 2017	Conduction (CO01-KS)
EMI Test Receiver	R&S	ESR7	101403	9kHz~7GHz; Max 30dBm	Aug. 09, 2016	Jun. 05, 2017	Aug. 08, 2017	Radiation (03CH02-KS)
EXA Spectrum Analyzer	Keysight	N9010A	MY55150208	10Hz-44G,MAX 30dB	Apr. 18, 2017	Jun. 05, 2017	Apr. 17, 2018	Radiation (03CH02-KS)
Bilog Antenna	TeseQ	CBL6112D	37879	30MHz~2GHz	Aug. 20, 2016	Jun. 05, 2017	Aug. 19, 2017	Radiation (03CH02-KS)
Double Ridge Horn Antenna	ETS-Lindgren	3117	75957	1GHz~18GHz	Oct. 22, 2016	Jun. 05, 2017	Oct. 21, 2017	Radiation (03CH02-KS)
Amplifier	SONOMA	310N	187289	9KHz-1GHz	Aug. 09, 2016	Jun. 05, 2017	Aug. 08, 2017	Radiation (03CH02-KS)
Amplifier	Agilent	8449B	3008A02384	1-26.5GHz Gain 30dB	Oct. 13, 2016	Jun. 05, 2017	Oct. 12, 2017	Radiation (03CH02-KS)
AC Power Source	Chroma	61601	61601000247 3	N/A	NCR	Jun. 05, 2017	NCR	Radiation (03CH02-KS)
Turn Table	MF	MF7802	N/A	0~360 degree	NCR	Jun. 05, 2017	NCR	Radiation (03CH02-KS)
Antenna Mast	MF	MF7802	N/A	1 m~4 m	NCR	Jun. 05, 2017	NCR	Radiation (03CH02-KS)

NCR: No Calibration Required



## 5. Uncertainty of Evaluation

### Uncertainty of Conducted Emission Measurement (150 kHz ~ 30 MHz)

Measuring Uncertainty for a Level of Confidence of 95% ( $U = 2Uc(y)$ )	2.3dB
---	-------

### Uncertainty of Radiated Emission Measurement (30 MHz ~ 1000 MHz)

Measuring Uncertainty for a Level of Confidence of 95% ( $U = 2Uc(y)$ )	5.2dB
---	-------

### Uncertainty of Radiated Emission Measurement (1GHz ~ 18GHz)

Measuring Uncertainty for a Level of Confidence of 95% ( $U = 2Uc(y)$ )	4.7dB
---	-------