

# Variant FCC SAR Test Report

APPLICANT : Motorola Mobility LLC  
EQUIPMENT : Mobile Cellular Phone  
BRAND NAME : Motorola  
MODEL NAME : 9846  
FCC ID : IHDT56VF3  
STANDARD : FCC 47 CFR Part 2 (2.1093)  
ANSI/IEEE C95.1-1992  
IEEE 1528-2013

This is a variant report which is only valid together with the original test report. We, SPORTON INTERNATIONAL (SHENZHEN) INC., would like to declare that the tested sample has been evaluated in accordance with the procedures and had been in compliance with the applicable technical standards.

The test results in this report apply exclusively to the tested model / sample. Without written approval of SPORTON INTERNATIONAL (SHENZHEN) INC., the test report shall not be reproduced except in full.

*Mark Qu*

Prepared by: Mark Qu / Manager



Testing Laboratory

2353

Approved by: Jones Tsai / Manager

**SPORTON INTERNATIONAL (SHENZHEN) INC.**  
1F & 2F, Building A, Morning Business Center, No. 4003 ShiGu Rd., Xili Town,  
Nanshan District, Shenzhen, Guangdong, P. R. China



**Table of Contents**

**1. Statement of Compliance ..... 4**

**2. Administration Data ..... 5**

**3. Guidance Applied..... 5**

**4. Equipment Under Test (EUT) Information ..... 6**

    4.1 General Information ..... 6

    4.2 Specification of Accessory ..... 7

    4.3 General LTE SAR Test and Reporting Considerations ..... 8

**5. RF Exposure Limits..... 9**

    5.1 Uncontrolled Environment ..... 9

    5.2 Controlled Environment..... 9

**6. Specific Absorption Rate (SAR).....10**

    6.1 Introduction ..... 10

    6.2 SAR Definition..... 10

**7. System Description and Setup .....11**

    7.1 E-Field Probe ..... 12

    7.2 Data Acquisition Electronics (DAE) ..... 12

    7.3 Phantom..... 13

    7.4 Device Holder..... 14

**8. Measurement Procedures .....15**

    8.1 Spatial Peak SAR Evaluation ..... 15

    8.2 Power Reference Measurement..... 16

    8.3 Area Scan ..... 16

    8.4 Zoom Scan..... 17

    8.5 Volume Scan Procedures ..... 17

    8.6 Power Drift Monitoring..... 17

**9. Test Equipment List .....18**

**10. System Verification .....19**

    10.1 Tissue Simulating Liquids..... 19

    10.2 Tissue Verification ..... 20

    10.3 System Performance Check Results ..... 21

**11. RF Exposure Positions .....22**

    11.1 Ear and handset reference point ..... 22

    11.2 Definition of the cheek position..... 23

    11.3 Definition of the tilt position..... 24

    11.4 Body Worn Accessory ..... 25

    11.5 Wireless Router..... 25

**12. Conducted RF Output Power (Unit: dBm).....26**

**13. Antenna Location .....41**

**14. SAR Test Results .....42**

    14.1 Head SAR ..... 43

    14.2 Hotspot SAR ..... 44

    14.3 Body Worn Accessory SAR..... 45

    14.4 Repeated SAR Measurement ..... 47

**15. Simultaneous Transmission Analysis .....48**

    15.1 Head Exposure Conditions ..... 49

    15.2 Hotspot Exposure Conditions..... 50

    15.3 Body-Worn Accessory Exposure Conditions ..... 51

    15.4 SPLSR Evaluation and Analysis..... 52

**16. Uncertainty Assessment .....53**

**17. References .....56**

**Appendix A. Plots of System Performance Check**

**Appendix B. Plots of High SAR Measurement**

**Appendix C. DASYS Calibration Certificate**

**Appendix D. Test Setup Photos**

**Appendix E. Product Equality Declaration**

**Appendix F. Original Report**





**1. Statement of Compliance**

The maximum results of Specific Absorption Rate (SAR) found during testing for **Motorola Mobility LLC, Mobile Cellular Phone, 9846** are as follows.

Equipment Class	Frequency Band		Highest SAR Summary			Highest Simultaneous Transmission 1g SAR (W/kg)
			Head (Separation 0mm)	Body-worn (Separation 10mm)	Hotspot (Separation 10mm)	
			1g SAR (W/kg)			
Licensed	GSM	GSM850	0.41	0.73	0.73	1.52
		GSM1900	0.52	0.72	0.72	
	WCDMA	Band V	0.31	0.63	0.63	
		Band II	0.69	<b>1.07</b>	<b>1.07</b>	
	LTE	Band 5	0.40	0.70	0.70	
		Band 7	0.79	0.87	0.98	
DSS	Bluetooth	2.4GHz Bluetooth		<0.10		1.29
DTS	WLAN	2.4GHz WLAN	0.19	<0.10	<0.10	1.11
NII		5GHz WLAN	<b>0.83</b>	0.16	0.17	1.52
Date of Testing:			2016/12/18 ~ 2016/12/23			

This device is in compliance with Specific Absorption Rate (SAR) for general population/uncontrolled exposure limits (1.6 W/kg) specified in FCC 47 CFR part 2 (2.1093) and ANSI/IEEE C95.1-1992, and had been tested in accordance with the measurement methods and procedures specified in IEEE 1528-2013 and FCC KDB publications.



## **2. Administration Data**

<b>Testing Site</b>	
<b>Test Site</b>	SPORTON INTERNATIONAL (SHENZHEN) INC.
<b>Test Site Location</b>	1F & 2F, Building A, Morning Business Center, No. 4003 ShiGu Rd., Xili Town, Nanshan District, Shenzhen, Guangdong, P. R. China TEL: +86-755-8637-9589 FAX: +86-755-8637-9595

<b>Applicant</b>	
<b>Company Name</b>	Motorola Mobility LLC
<b>Address</b>	222 W, Merchandise Mart Plaza, Chicago IL 60654 USA

<b>Manufacturer</b>	
<b>Company Name</b>	Motorola Mobility LLC
<b>Address</b>	222 W, Merchandise Mart Plaza, Chicago IL 60654 USA

## **3. Guidance Applied**

The Specific Absorption Rate (SAR) testing specification, method, and procedure for this device is in accordance with the following standards:

- FCC 47 CFR Part 2 (2.1093)
- ANSI/IEEE C95.1-1992
- IEEE 1528-2013
- FCC KDB 865664 D01 SAR Measurement 100 MHz to 6 GHz v01r04
- FCC KDB 865664 D02 SAR Reporting v01r02
- FCC KDB 447498 D01 General RF Exposure Guidance v06
- FCC KDB 648474 D04 SAR Evaluation Considerations for Wireless Handsets v01r03
- FCC KDB 248227 D01 802.11 Wi-Fi SAR v02r02
- FCC KDB 941225 D01 3G SAR Procedures v03r01
- FCC KDB 941225 D05 SAR for LTE Devices v02r05
- FCC KDB 941225 D06 Hotspot Mode SAR v02r01



4. Equipment Under Test (EUT) Information

4.1 General Information

Product Feature & Specification	
Equipment Name	Mobile Cellular Phone
Brand Name	Motorola
Model Name	9846
FCC ID	IHDT56VF3
SN:	NDSB360018
Wireless Technology and Frequency Range	GSM850: 824.2 MHz ~ 848.8 MHz GSM1900: 1850.2 MHz ~ 1909.8 MHz WCDMA Band II: 1852.4 MHz ~ 1907.6 MHz WCDMA Band V: 826.4 MHz ~ 846.6 MHz LTE Band 5: 824 MHz ~ 849 MHz LTE Band 7: 2500 MHz ~ 2570 MHz WLAN 2.4GHz Band: 2412 MHz ~ 2462 MHz WLAN 5.2GHz Band: 5180 MHz ~ 5240 MHz WLAN 5.3GHz Band: 5260 MHz ~ 5320 MHz WLAN 5.5GHz Band: 5500 MHz ~ 5700 MHz WLAN 5.8GHz Band: 5745 MHz ~ 5825 MHz Bluetooth: 2402 MHz ~ 2480 MHz
Mode	<ul style="list-style-type: none"> <li>· GSM/GPRS/EGPRS</li> <li>· RMC/AMR 12.2Kbps</li> <li>· HSDPA</li> <li>· HSUPA</li> <li>· DC-HSDPA</li> <li>· HSPA+ (16QAM uplink is not supported)</li> <li>· LTE: QPSK, 16QAM</li> <li>· 802.11b/g/n HT20</li> <li>· 802.11a/n/ HT20/HT40</li> <li>· Bluetooth v3.0+EDR, Bluetooth v4.0 LE, Bluetooth v4.2 LE</li> </ul>
HW Version	DVT2(V5.0)
SW Version	cedric-userdebug 7.0 NPP25.127 859 intcfg,test-keys
GSM / (E)GPRS Transfer mode	Class B – EUT cannot support Packet Switched and Circuit Switched Network simultaneously but can automatically switch between Packet and Circuit Switched Network.
EUT Stage	Identical Prototype
<b>Remark:</b> <ol style="list-style-type: none"> <li>1. This device supported VoIP in GPRS, EGRPS, WCDMA and LTE (e.g. 3rd party VoIP) and LTE Supports VoLTE operation.</li> <li>2. This device 2.4GHz WLAN/5.2GHz WLAN/5.8GHz WLAN support hotspot operation, and 5.2GHz WLAN/5.8GHz WLAN supports WiFi Direct (GC/GO), and 5.3GHz / 5.5GHz supports WiFi Direct (GC only).</li> <li>3. This device supports GRPS/EGRPS mode up to multi-slot class 12.</li> <li>4. 802.11n-HT40MHz does not support at WLAN 2.4GHz.</li> <li>5. This device does not support DTM operation.</li> <li>6. When hotspot worked, power reduction active at LTE Band 7.</li> <li>7. The device has 2 SIM slots and supports dual SIM dual standby.</li> </ol>	

**4.2 Specification of Accessory**

Specification of Accessory				
AC Adapter 1	Brand Name	Motorola (Salom)	Model Name	SSW-2919EU C-P36 SPN5944A
	Power Rating	I/P: 100-240 Vac, 300mA, O/P: 5.2Vdc, 2000mA		
AC Adapter 2	Brand Name	Motorola (Acbel)	Model Name	C-P35
	Power Rating	I/P: 100-240 Vac, 300mA, O/P: 5.2Vdc, 2000mA		
AC Adapter 3	Brand Name	Motorola (Salom)	Model Name	SSW-2919UMTJ C-P35 SPN5945A
	Power Rating	I/P: 100-240 Vac, 300mA, O/P: 5.2Vdc, 2000mA		
Battery 1	Brand Name	Motorola (ATL)	Model Name	GK40
	Power Rating	3.8Vdc,2800mAh (Min/Typ)	Type	Li-ion
Battery 2	Brand Name	Motorola (Sunwoda)	Model Name	GK40
	Power Rating	3.8Vdc,2800mAh (Min/Typ)	Type	Li-ion
Earphone	Brand Name	Motorola	Model Name	SJYN1181B
	Signal Line Type	1.2 meter, non-shielded cable, without ferrite core		
USB Cable 1	Brand Name	Motorola (Liqi)	Model Name	L25W-051000100AL
	Signal Line Type	1.0 meter, non-shielded cable, without ferrite core		
USB Cable 2	Brand Name	Motorola (Fukangyuan)	Model Name	F25W-051000100A
	Signal Line Type	1.0 meter, non-shielded cable, without ferrite core		



**4.3 General LTE SAR Test and Reporting Considerations**

Summarized necessary items addressed in KDB 941225 D05 v02r05																																							
FCC ID	IHDT56VF3																																						
Equipment Name	Mobile Cellular Phone																																						
Operating Frequency Range of each LTE transmission band	LTE Band 5: 824 MHz ~ 849 MHz LTE Band 7: 2500 MHz ~ 2570 MHz																																						
Channel Bandwidth	LTE Band 5: 1.4MHz, 3MHz, 5MHz, 10MHz LTE Band 7: 5MHz, 10MHz, 15MHz, 20MHz																																						
uplink modulations used	QPSK, and 16QAM																																						
LTE Voice / Data requirements	Voice and Data																																						
LTE MPR permanently built-in by design	<table border="1"> <caption>Table 6.2.3-1: Maximum Power Reduction (MPR) for Power Class 3</caption> <thead> <tr> <th rowspan="2">Modulation</th> <th colspan="6">Channel bandwidth / Transmission bandwidth (RB)</th> <th rowspan="2">MPR (dB)</th> </tr> <tr> <th>1.4 MHz</th> <th>3.0 MHz</th> <th>5 MHz</th> <th>10 MHz</th> <th>15 MHz</th> <th>20 MHz</th> </tr> </thead> <tbody> <tr> <td>QPSK</td> <td>&gt; 5</td> <td>&gt; 4</td> <td>&gt; 8</td> <td>&gt; 12</td> <td>&gt; 16</td> <td>&gt; 18</td> <td>≤ 1</td> </tr> <tr> <td>16 QAM</td> <td>≤ 5</td> <td>≤ 4</td> <td>≤ 8</td> <td>≤ 12</td> <td>≤ 16</td> <td>≤ 18</td> <td>≤ 1</td> </tr> <tr> <td>16 QAM</td> <td>&gt; 5</td> <td>&gt; 4</td> <td>&gt; 8</td> <td>&gt; 12</td> <td>&gt; 16</td> <td>&gt; 18</td> <td>≤ 2</td> </tr> </tbody> </table>	Modulation	Channel bandwidth / Transmission bandwidth (RB)						MPR (dB)	1.4 MHz	3.0 MHz	5 MHz	10 MHz	15 MHz	20 MHz	QPSK	> 5	> 4	> 8	> 12	> 16	> 18	≤ 1	16 QAM	≤ 5	≤ 4	≤ 8	≤ 12	≤ 16	≤ 18	≤ 1	16 QAM	> 5	> 4	> 8	> 12	> 16	> 18	≤ 2
Modulation	Channel bandwidth / Transmission bandwidth (RB)						MPR (dB)																																
	1.4 MHz	3.0 MHz	5 MHz	10 MHz	15 MHz	20 MHz																																	
QPSK	> 5	> 4	> 8	> 12	> 16	> 18	≤ 1																																
16 QAM	≤ 5	≤ 4	≤ 8	≤ 12	≤ 16	≤ 18	≤ 1																																
16 QAM	> 5	> 4	> 8	> 12	> 16	> 18	≤ 2																																
LTE A-MPR	In the base station simulator configuration, Network Setting value is set to NS_01 to disable A-MPR during SAR testing and the LTE SAR tests was transmitting on all TTI frames (Maximum TTI)																																						
Spectrum plots for RB configuration	A properly configured base station simulator was used for the SAR and power measurement; therefore, spectrum plots for each RB allocation and offset configuration are not included in the SAR report.																																						
Power reduction applied to satisfy SAR compliance	Yes, when operating in hotspot mode, LTE Band 7 power reduction applied to satisfy SAR compliance.																																						
LTE Release	R10, Cat 4																																						
CA Support	NO																																						

Transmission (H, M, L) channel numbers and frequencies in each LTE band								
LTE Band 5								
	Bandwidth 1.4 MHz		Bandwidth 3 MHz		Bandwidth 5 MHz		Bandwidth 10 MHz	
	Ch. #	Freq. (MHz)	Ch. #	Freq. (MHz)	Ch. #	Freq. (MHz)	Ch. #	Freq. (MHz)
L	20407	824.7	20415	825.5	20425	826.5	20450	829
M	20525	836.5	20525	836.5	20525	836.5	20525	836.5
H	20643	848.3	20635	847.5	20625	846.5	20600	844
LTE Band 7								
	Bandwidth 5 MHz		Bandwidth 10 MHz		Bandwidth 15 MHz		Bandwidth 20 MHz	
	Ch. #	Freq. (MHz)	Ch. #	Freq. (MHz)	Ch. #	Freq. (MHz)	Ch. #	Freq. (MHz)
L	20775	2502.5	20800	2505	20825	2507.5	20850	2510
M	21100	2535	21100	2535	21100	2535	21100	2535
H	21425	2567.5	21400	2565	21375	2562.5	21350	2560



### 5. RF Exposure Limits

#### 5.1 Uncontrolled Environment

Uncontrolled Environments are defined as locations where there is the exposure of individuals who have no knowledge or control of their exposure. The general population/uncontrolled exposure limits are applicable to situations in which the general public may be exposed or in which persons who are exposed as a consequence of their employment may not be made fully aware of the potential for exposure or cannot exercise control over their exposure. Members of the general public would come under this category when exposure is not employment-related; for example, in the case of a wireless transmitter that exposes persons in its vicinity.

#### 5.2 Controlled Environment

Controlled Environments are defined as locations where there is exposure that may be incurred by persons who are aware of the potential for exposure, (i.e. as a result of employment or occupation). In general, occupational/controlled exposure limits are applicable to situations in which persons are exposed as a consequence of their employment, who have been made fully aware of the potential for exposure and can exercise control over their exposure. The exposure category is also applicable when the exposure is of a transient nature due to incidental passage through a location where the exposure levels may be higher than the general population/uncontrolled limits, but the exposed person is fully aware of the potential for exposure and can exercise control over his or her exposure by leaving the area or by some other appropriate means.

**Limits for Occupational/Controlled Exposure (W/kg)**

Whole-Body	Partial-Body	Hands, Wrists, Feet and Ankles
0.4	8.0	20.0

**Limits for General Population/Uncontrolled Exposure (W/kg)**

Whole-Body	Partial-Body	Hands, Wrists, Feet and Ankles
0.08	1.6	4.0

Whole-Body SAR is averaged over the entire body, partial-body SAR is averaged over any 1gram of tissue defined as a tissue volume in the shape of a cube. SAR for hands, wrists, feet and ankles is averaged over any 10 grams of tissue defined as a tissue volume in the shape of a cube.

## **6. Specific Absorption Rate (SAR)**

### **6.1 Introduction**

SAR is related to the rate at which energy is absorbed per unit mass in an object exposed to a radio field. The SAR distribution in a biological body is complicated and is usually carried out by experimental techniques or numerical modeling. The standard recommends limits for two tiers of groups, occupational/controlled and general population/uncontrolled, based on a person's awareness and ability to exercise control over his or her exposure. In general, occupational/controlled exposure limits are higher than the limits for general population/uncontrolled.

### **6.2 SAR Definition**

The SAR definition is the time derivative (rate) of the incremental energy (dW) absorbed by (dissipated in) an incremental mass (dm) contained in a volume element (dv) of a given density ( $\rho$ ). The equation description is as below:

$$SAR = \frac{d}{dt} \left( \frac{dW}{dm} \right) = \frac{d}{dt} \left( \frac{dW}{\rho dv} \right)$$

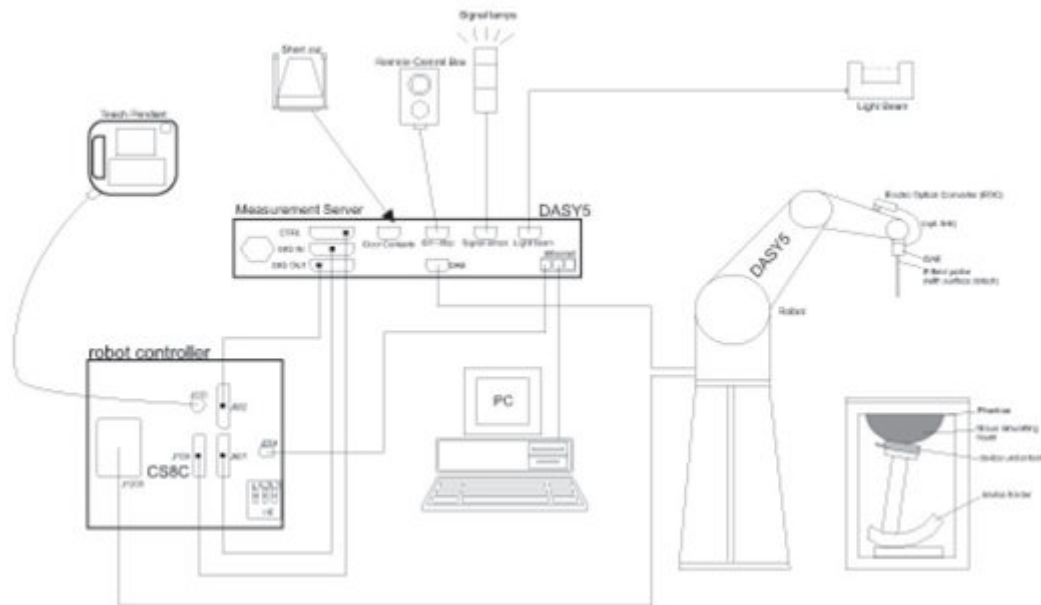
SAR is expressed in units of Watts per kilogram (W/kg)

$$SAR = \frac{\sigma |E|^2}{\rho}$$

Where:  $\sigma$  is the conductivity of the tissue,  $\rho$  is the mass density of the tissue and E is the RMS electrical field strength.

## **7. System Description and Setup**

The DASY system used for performing compliance tests consists of the following items:




- A standard high precision 6-axis robot with controller, teach pendant and software. An arm extension for accommodating the data acquisition electronics (DAE).
- An isotropic Field probe optimized and calibrated for the targeted measurement.
- A data acquisition electronics (DAE) which performs the signal amplification, signal multiplexing, AD-conversion, offset measurements, mechanical surface detection, collision detection, etc. The unit is battery powered with standard or rechargeable batteries. The signal is optically transmitted to the EOC.
- The Electro-optical converter (EOC) performs the conversion from optical to electrical signals for the digital communication to the DAE. To use optical surface detection, a special version of the EOC is required. The EOC signal is transmitted to the measurement server.
- The function of the measurement server is to perform the time critical tasks such as signal filtering, control of the robot operation and fast movement interrupts.
- The Light Beam used is for probe alignment. This improves the (absolute) accuracy of the probe positioning.
- A computer running WinXP or Win7 and the DASY5 software.
- Remote control and teach pendant as well as additional circuitry for robot safety such as warning lamps, etc.
- The phantom, the device holder and other accessories according to the targeted measurement.

**7.1 E-Field Probe**

The SAR measurement is conducted with the dosimetric probe (manufactured by SPEAG).The probe is specially designed and calibrated for use in liquid with high permittivity. The dosimetric probe has special calibration in liquid at different frequency. This probe has a built in optical surface detection system to prevent from collision with phantom.

**<EX3DV4 Probe>**

<b>Construction</b>	Symmetric design with triangular core Built-in shielding against static charges PEEK enclosure material (resistant to organic solvents, e.g., DGBE)	
<b>Frequency</b>	10 MHz – >6 GHz Linearity: ±0.2 dB (30 MHz – 6 GHz)	
<b>Directivity</b>	±0.3 dB in TSL (rotation around probe axis) ±0.5 dB in TSL (rotation normal to probe axis)	
<b>Dynamic Range</b>	10 µW/g – >100 mW/g Linearity: ±0.2 dB (noise: typically <1 µW/g)	
<b>Dimensions</b>	Overall length: 337 mm (tip: 20 mm) Tip diameter: 2.5 mm (body: 12 mm) Typical distance from probe tip to dipole centers: 1 mm	

**7.2 Data Acquisition Electronics (DAE)**

The data acquisition electronics (DAE) consists of a highly sensitive electrometer-grade preamplifier with auto-zeroing, a channel and gain-switching multiplexer, a fast 16 bit AD-converter and a command decoder and control logic unit. Transmission to the measurement server is accomplished through an optical downlink for data and status information as well as an optical uplink for commands and the clock.


The input impedance of the DAE is 200 MOhm; the inputs are symmetrical and floating. Common mode rejection is above 80 dB.



**Fig 5.1 Photo of DAE**


**7.3 Phantom**

**<SAM Twin Phantom>**

<b>Shell Thickness</b>	2 ± 0.2 mm; Center ear point: 6 ± 0.2 mm	
<b>Filling Volume</b>	Approx. 25 liters	
<b>Dimensions</b>	Length: 1000 mm; Width: 500 mm; Height: adjustable feet	
<b>Measurement Areas</b>	Left Hand, Right Hand, Flat Phantom	

The bottom plate contains three pair of bolts for locking the device holder. The device holder positions are adjusted to the standard measurement positions in the three sections. A white cover is provided to tap the phantom during off-periods to prevent water evaporation and changes in the liquid parameters. On the phantom top, three reference markers are provided to identify the phantom position with respect to the robot.

**<ELI Phantom>**

<b>Shell Thickness</b>	2 ± 0.2 mm (sagging: <1%)	
<b>Filling Volume</b>	Approx. 30 liters	
<b>Dimensions</b>	Major ellipse axis: 600 mm Minor axis: 400 mm	

The ELI phantom is intended for compliance testing of handheld and body-mounted wireless devices in the frequency range of 30 MHz to 6 GHz. ELI4 is fully compatible with standard and all known tissue simulating liquids.

### **7.4 Device Holder**

#### **<Mounting Device for Hand-Held Transmitter>**

In combination with the Twin SAM V5.0/V5.0c or ELI phantoms, the Mounting Device for Hand-Held Transmitters enables rotation of the mounted transmitter device to specified spherical coordinates. At the heads, the rotation axis is at the ear opening. Transmitter devices can be easily and accurately positioned according to IEC 62209-1, IEEE 1528, FCC, or other specifications. The device holder can be locked for positioning at different phantom sections (left head, right head, flat). And upgrade kit to Mounting Device to enable easy mounting of wider devices like big smart-phones, e-books, small tablets, etc. It holds devices with width up to 140 mm.



Mounting Device for Hand-Held Transmitters



Mounting Device Adaptor for Wide-Phones

#### **<Mounting Device for Laptops and other Body-Worn Transmitters>**

The extension is lightweight and made of POM, acrylic glass and foam. It fits easily on the upper part of the mounting device in place of the phone positioned. The extension is fully compatible with the SAM Twin and ELI phantoms.



Mounting Device for Laptops

## **8. Measurement Procedures**

The measurement procedures are as follows:

### <Conducted power measurement>

- (a) For WWAN power measurement, use base station simulator to configure EUT WWAN transmission in conducted connection with RF cable, at maximum power in each supported wireless interface and frequency band.
- (b) Read the WWAN RF power level from the base station simulator.
- (c) For WLAN/BT power measurement, use engineering software to configure EUT WLAN/BT continuously transmission, at maximum RF power in each supported wireless interface and frequency band
- (d) Connect EUT RF port through RF cable to the power meter, and measure WLAN/BT output power

### <SAR measurement>

- (a) Use base station simulator to configure EUT WWAN transmission in radiated connection, and engineering software to configure EUT WLAN/BT continuously transmission, at maximum RF power, in the highest power channel.
- (b) Place the EUT in the positions as Appendix D demonstrates.
- (c) Set scan area, grid size and other setting on the DASY software.
- (d) Measure SAR results for the highest power channel on each testing position.
- (e) Find out the largest SAR result on these testing positions of each band
- (f) Measure SAR results for other channels in worst SAR testing position if the reported SAR of highest power channel is larger than 0.8 W/kg

According to the test standard, the recommended procedure for assessing the peak spatial-average SAR value consists of the following steps:

- (a) Power reference measurement
- (b) Area scan
- (c) Zoom scan
- (d) Power drift measurement

### **8.1 Spatial Peak SAR Evaluation**

The procedure for spatial peak SAR evaluation has been implemented according to the test standard. It can be conducted for 1g and 10g, as well as for user-specific masses. The DASY software includes all numerical procedures necessary to evaluate the spatial peak SAR value.

The base for the evaluation is a "cube" measurement. The measured volume must include the 1g and 10g cubes with the highest averaged SAR values. For that purpose, the center of the measured volume is aligned to the interpolated peak SAR value of a previously performed area scan.

The entire evaluation of the spatial peak values is performed within the post-processing engine (SEMCAD). The system always gives the maximum values for the 1g and 10g cubes. The algorithm to find the cube with highest averaged SAR is divided into the following stages:

- (a) Extraction of the measured data (grid and values) from the Zoom Scan
- (b) Calculation of the SAR value at every measurement point based on all stored data (A/D values and measurement parameters)
- (c) Generation of a high-resolution mesh within the measured volume
- (d) Interpolation of all measured values from the measurement grid to the high-resolution grid
- (e) Extrapolation of the entire 3-D field distribution to the phantom surface over the distance from sensor to surface
- (f) Calculation of the averaged SAR within masses of 1g and 10g

**8.2 Power Reference Measurement**

The Power Reference Measurement and Power Drift Measurements are for monitoring the power drift of the device under test in the batch process. The minimum distance of probe sensors to surface determines the closest measurement point to phantom surface. This distance cannot be smaller than the distance of sensor calibration points to probe tip as defined in the probe properties.

**8.3 Area Scan**

The area scan is used as a fast scan in two dimensions to find the area of high field values, before doing a fine measurement around the hot spot. The sophisticated interpolation routines implemented in DASY software can find the maximum found in the scanned area, within a range of the global maximum. The range (in dB0) is specified in the standards for compliance testing. For example, a 2 dB range is required in IEEE standard 1528 and IEC 62209 standards, whereby 3 dB is a requirement when compliance is assessed in accordance with the ARIB standard (Japan), if only one zoom scan follows the area scan, then only the absolute maximum will be taken as reference. For cases where multiple maximums are detected, the number of zoom scans has to be increased accordingly.

Area scan parameters extracted from FCC KDB 865664 D01v01r04 SAR measurement 100 MHz to 6 GHz.

	≤ 3 GHz	> 3 GHz
Maximum distance from closest measurement point (geometric center of probe sensors) to phantom surface	5 ± 1 mm	$\frac{1}{2} \cdot \delta \cdot \ln(2) \pm 0.5$ mm
Maximum probe angle from probe axis to phantom surface normal at the measurement location	30° ± 1°	20° ± 1°
Maximum area scan spatial resolution: $\Delta x_{Area}, \Delta y_{Area}$	≤ 2 GHz: ≤ 15 mm 2 – 3 GHz: ≤ 12 mm	3 – 4 GHz: ≤ 12 mm 4 – 6 GHz: ≤ 10 mm
	When the x or y dimension of the test device, in the measurement plane orientation, is smaller than the above, the measurement resolution must be ≤ the corresponding x or y dimension of the test device with at least one measurement point on the test device.	

### 8.4 Zoom Scan

Zoom scans are used assess the peak spatial SAR values within a cubic averaging volume containing 1 gram and 10 gram of simulated tissue. The zoom scan measures points (refer to table below) within a cube shoes base faces are centered on the maxima found in a preceding area scan job within the same procedure. When the measurement is done, the zoom scan evaluates the averaged SAR for 1 gram and 10 gram and displays these values next to the job's label.

Zoom scan parameters extracted from FCC KDB 865664 D01v01r04 SAR measurement 100 MHz to 6 GHz.

		≤ 3 GHz	> 3 GHz	
Maximum zoom scan spatial resolution: $\Delta x_{Zoom}, \Delta y_{Zoom}$		$\leq 2$ GHz: $\leq 8$ mm 2 – 3 GHz: $\leq 5$ mm*	3 – 4 GHz: $\leq 5$ mm* 4 – 6 GHz: $\leq 4$ mm*	
Maximum zoom scan spatial resolution, normal to phantom surface	uniform grid: $\Delta z_{Zoom}(n)$	$\leq 5$ mm	3 – 4 GHz: $\leq 4$ mm 4 – 5 GHz: $\leq 3$ mm 5 – 6 GHz: $\leq 2$ mm	
	graded grid	$\Delta z_{Zoom}(1)$ : between 1 <sup>st</sup> two points closest to phantom surface	$\leq 4$ mm	3 – 4 GHz: $\leq 3$ mm 4 – 5 GHz: $\leq 2.5$ mm 5 – 6 GHz: $\leq 2$ mm
		$\Delta z_{Zoom}(n>1)$ : between subsequent points	$\leq 1.5 \cdot \Delta z_{Zoom}(n-1)$	
Minimum zoom scan volume	x, y, z	$\geq 30$ mm	3 – 4 GHz: $\geq 28$ mm 4 – 5 GHz: $\geq 25$ mm 5 – 6 GHz: $\geq 22$ mm	
Note: $\delta$ is the penetration depth of a plane-wave at normal incidence to the tissue medium; see draft standard IEEE P1528-2011 for details. * When zoom scan is required and the <i>reported</i> SAR from the <i>area scan based 1-g SAR estimation</i> procedures of KDB 447498 is $\leq 1.4$ W/kg, $\leq 8$ mm, $\leq 7$ mm and $\leq 5$ mm zoom scan resolution may be applied, respectively, for 2 GHz to 3 GHz, 3 GHz to 4 GHz and 4 GHz to 6 GHz.				

### 8.5 Volume Scan Procedures

The volume scan is used for assess overlapping SAR distributions for antennas transmitting in different frequency bands. It is equivalent to an oversized zoom scan used in standalone measurements. The measurement volume will be used to enclose all the simultaneous transmitting antennas. For antennas transmitting simultaneously in different frequency bands, the volume scan is measured separately in each frequency band. In order to sum correctly to compute the 1g aggregate SAR, the EUT remain in the same test position for all measurements and all volume scan use the same spatial resolution and grid spacing. When all volume scan were completed, the software, SEMCAD postprocessor can combine and subsequently superpose these measurement data to calculating the multiband SAR.

### 8.6 Power Drift Monitoring

All SAR testing is under the EUT install full charged battery and transmit maximum output power. In DASy measurement software, the power reference measurement and power drift measurement procedures are used for monitoring the power drift of EUT during SAR test. Both these procedures measure the field at a specified reference position before and after the SAR testing. The software will calculate the field difference in dB. If the power drifts more than 5%, the SAR will be retested.



**9. Test Equipment List**

Manufacturer	Name of Equipment	Type/Model	Serial Number	Calibration	
				Last Cal.	Due Date
SPEAG	835MHz System Validation Kit	D835V2	4d092	Jun. 22, 2016	Jun. 21, 2017
SPEAG	1900MHz System Validation Kit	D1900V2	5d018	Jun. 21, 2016	Jun. 20, 2017
SPEAG	2450MHz System Validation Kit	D2450V2	924	Feb. 24, 2016	Feb. 23, 2017
SPEAG	2600MHz System Validation Kit	D2600V2	1008	Aug. 30, 2016	Aug. 29, 2017
SPEAG	5000MHz System Validation Kit	D5GHzV2	1167	Jul. 27, 2016	Jul. 26, 2017
SPEAG	Data Acquisition Electronics	DAE4	905	Jun. 22, 2016	Jun. 21, 2017
SPEAG	Dosimetric E-Field Probe	EX3DV4	3911	Sep. 29, 2016	Sep. 28, 2017
SPEAG	SAM Twin Phantom	SAM V5.0	1795	NCR	NCR
SPEAG	Phone Positioner	N/A	N/A	NCR	NCR
Anritsu	Radio communication analyzer	MT8820C	6201300653	Jul. 16, 2016	Jul. 15, 2017
Agilent	Wireless Communication Test Set	E5515C	MY50267224	Jul. 16, 2016	Jul. 15, 2017
Agilent	Network Analyzer	E5071C	MY46523671	Oct. 11, 2016	Oct. 10, 2017
Speag	Dielectric Assessment KIT	DAK-3.5	1071	Nov. 23, 2016	Nov. 22, 2017
Agilent	Signal Generator	N5181A	MY50145381	Jan. 12, 2016	Jan. 11, 2017
Anritsu	Power Sensor	MA2411B	1306099	Jan. 12, 2016	Jan. 11, 2017
Anritsu	Power Meter	ML2495A	1349001	Jan. 12, 2016	Jan. 11, 2017
Anritsu	Power Sensor	MA2411B	1207253	Jan. 12, 2016	Jan. 11, 2017
Anritsu	Power Meter	ML2495A	1218010	Jan. 12, 2016	Jan. 11, 2017
R&S	CBT BLUETOOTH TESTER	CBT	100963	Jan. 12, 2016	Jan. 11, 2017
R&S	Spectrum Analyzer	FSP7	101634	Jul. 16, 2016	Jul. 15, 2017
ARRA	Power Divider	A3200-2	NA	Note1	
PASTERNAK	Dual Directional Coupler	PE2214-10	N/A	Note1	
Agilent	Dual Directional Coupler	778D	50422	Note1	
AR	Amplifier	5S1G4	333096	Note1	
mini-circuits	Amplifier	ZVE-3W-83+	162601250	Note1	
MCL	Attenuation1	BW-S10W5	N/A	Note1	
Weinschel	Attenuation2	3M-20	N/A	Note1	
Zhongjilianhe	Attenuation3	MVE2214-03	N/A	Note1	

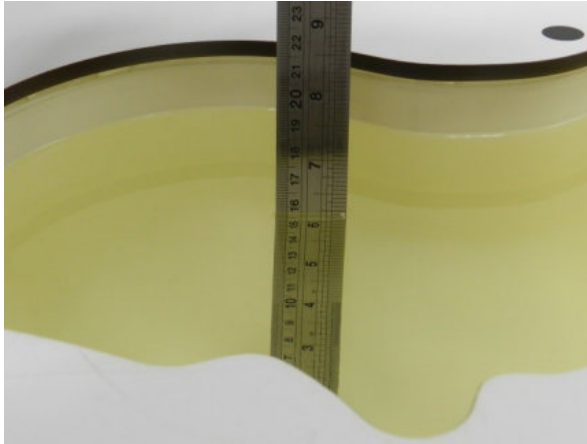
**General Note:**

1. Prior to system verification and validation, the path loss from the signal generator to the system check source and the power meter, which includes the amplifier, cable, attenuator and directional coupler, was measured by the network analyzer. The reading of the power meter was offset by the path loss difference between the path to the power meter and the path to the system check source to monitor the actual power level fed to the system check source.

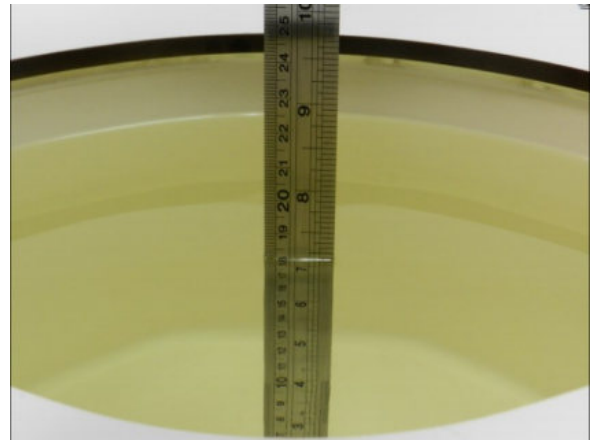
## **10. System Verification**

### **10.1 Tissue Simulating Liquids**

For the measurement of the field distribution inside the SAM phantom with DASY, the phantom must be filled with around 25 liters of homogeneous body tissue simulating liquid. For head SAR testing, the liquid height from the ear reference point (ERP) of the phantom to the liquid top surface is larger than 15 cm, which is shown in Fig. 10.1. For body SAR testing, the liquid height from the center of the flat phantom to the liquid top surface is larger than 15 cm, which is shown in Fig. 10.2.



**Fig 10.1** Photo of Liquid Height for Head SAR



**Fig 10.2** Photo of Liquid Height for Body SAR



**10.2 Tissue Verification**

The following tissue formulations are provided for reference only as some of the parameters have not been thoroughly verified. The composition of ingredients may be modified accordingly to achieve the desired target tissue parameters required for routine SAR evaluation.

Frequency (MHz)	Water (%)	Sugar (%)	Cellulose (%)	Salt (%)	Preventol (%)	DGBE (%)	Conductivity ( $\sigma$ )	Permittivity ( $\epsilon_r$ )
<b>For Head</b>								
835	40.3	57.9	0.2	1.4	0.2	0	0.90	41.5
1800, 1900, 2000	55.2	0	0	0.3	0	44.5	1.40	40.0
2450	55.0	0	0	0	0	45.0	1.80	39.2
2600	54.8	0	0	0.1	0	45.1	1.96	39.0
<b>For Body</b>								
835	50.8	48.2	0	0.9	0.1	0	0.97	55.2
1800, 1900, 2000	70.2	0	0	0.4	0	29.4	1.52	53.3
2450	68.6	0	0	0	0	31.4	1.95	52.7
2600	68.1	0	0	0.1	0	31.8	2.16	52.5

**Simulating Liquid for 5GHz, Manufactured by SPEAG**

Ingredients	(% by weight)
Water	64~78%
Mineral oil	11~18%
Emulsifiers	9~15%
Additives and Salt	2~3%

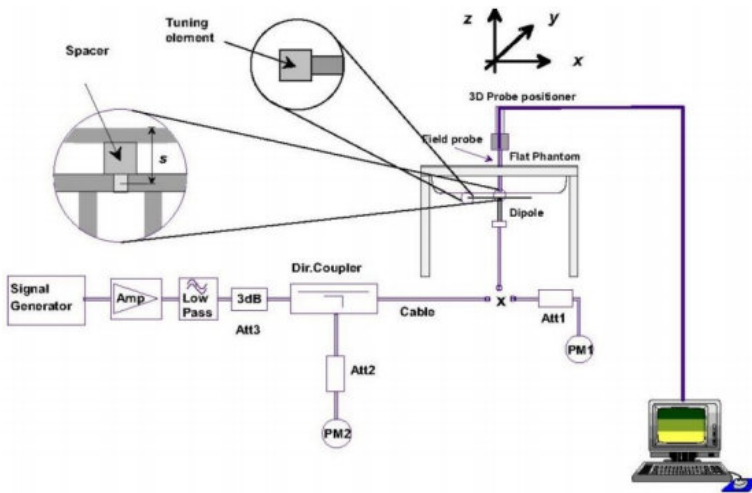
**<Tissue Dielectric Parameter Check Results>**

Frequency (MHz)	Tissue Type	Liquid Temp. (°C)	Conductivity ( $\sigma$ )	Permittivity ( $\epsilon_r$ )	Conductivity Target ( $\sigma$ )	Permittivity Target ( $\epsilon_r$ )	Delta ( $\sigma$ ) (%)	Delta ( $\epsilon_r$ ) (%)	Limit (%)	Date
835	Head	22.6	0.929	41.793	0.90	41.50	3.22	0.71	±5	2016/12/19
1900	Head	22.5	1.455	40.068	1.40	40.00	3.93	0.17	±5	2016/12/18
2450	Head	22.6	1.829	40.081	1.80	39.20	1.61	2.25	±5	2016/12/18
2600	Head	22.7	2.050	38.344	1.96	39.00	4.59	-1.68	±5	2016/12/18
5250	Head	22.5	4.595	36.652	4.71	35.90	-2.44	2.09	±5	2016/12/19
5600	Head	22.6	5.002	36.115	5.07	35.50	-1.34	1.73	±5	2016/12/19
5750	Head	22.7	5.170	35.843	5.22	35.40	-0.96	1.25	±5	2016/12/19
835	Body	22.5	0.994	54.578	0.97	55.20	2.47	-1.13	±5	2016/12/20
1900	Body	22.6	1.532	52.397	1.52	53.30	0.79	-1.69	±5	2016/12/20
2450	Body	22.7	1.991	52.320	1.95	52.70	2.10	-0.72	±5	2016/12/20
2600	Body	22.8	2.209	51.123	2.16	52.50	2.27	-2.62	±5	2016/12/20
5250	Body	22.6	5.370	48.944	5.36	48.90	0.19	0.09	±5	2016/12/23
5600	Body	22.8	5.868	48.274	5.77	48.50	1.70	-0.47	±5	2016/12/23
5750	Body	22.9	6.025	48.112	5.94	48.30	1.43	-0.39	±5	2016/12/23

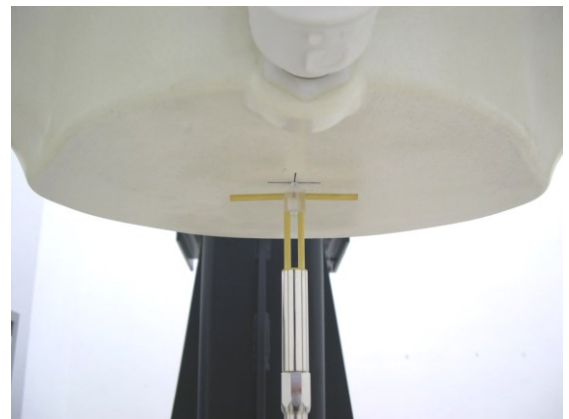
**10.3 System Performance Check Results**

Comparing to the original SAR value provided by SPEAG, the verification data should be within its specification of 10 %. Below table shows the target SAR and measured SAR after normalized to 1W input power. The table below indicates the system performance check can meet the variation criterion and the plots can be referred to Appendix A of this report.

Date	Frequency (MHz)	Tissue Type	Input Power (mW)	Dipole S/N	Probe S/N	DAE S/N	Measured 1g SAR (W/kg)	Targeted 1g SAR (W/kg)	Normalized 1g SAR (W/kg)	Deviation (%)
2016/12/19	835	Head	250	4d092	3911	905	2.44	9.42	9.76	3.61
2016/12/18	1900	Head	250	5d018	3911	905	9.89	40.00	39.56	-1.10
2016/12/18	2450	Head	250	924	3911	905	12.40	52.50	49.6	-5.52
2016/12/18	2600	Head	250	1008	3911	905	14.60	56.80	58.4	2.82
2016/12/19	5250	Head	100	1167	3911	905	7.39	77.10	73.9	-4.15
2016/12/19	5600	Head	100	1167	3911	905	8.16	81.00	81.6	0.74
2016/12/19	5750	Head	100	1167	3911	905	7.40	78.40	74	-5.61
2016/12/20	835	Body	250	4d092	3911	905	2.42	9.59	9.68	0.94
2016/12/20	1900	Body	250	5d018	3911	905	9.83	39.70	39.32	-0.96
2016/12/20	2450	Body	250	924	3911	905	13.70	51.40	54.8	6.61
2016/12/20	2600	Body	250	1008	3911	905	14.30	55.20	57.2	3.62
2016/12/23	5250	Body	100	1167	3911	905	7.90	75.80	79	4.22
2016/12/23	5600	Body	100	1167	3911	905	8.10	78.40	81	3.32
2016/12/23	5750	Body	100	1167	3911	905	7.15	75.90	71.5	-5.80



**Fig 8.3.1 System Performance Check Setup**

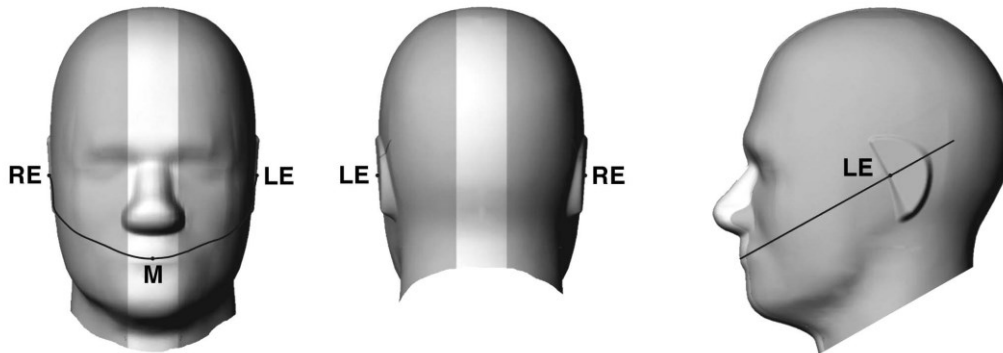


**Fig 8.3.2 Setup Photo**

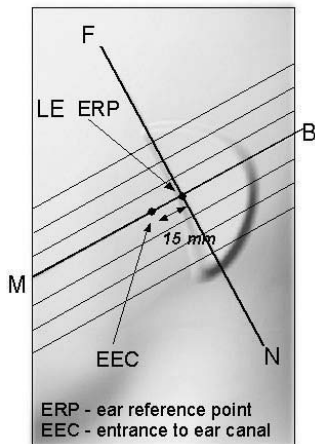
## **11. RF Exposure Positions**

### **11.1 Ear and handset reference point**

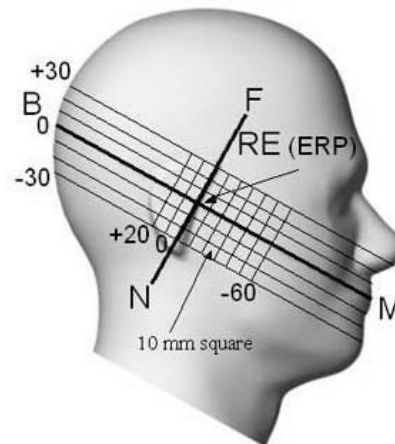
Figure 9.1.1 shows the front, back, and side views of the SAM phantom. The center-of-mouth reference point is labeled “M,” the left ear reference point (ERP) is marked “LE,” and the right ERP is marked “RE.” Each ERP is 15 mm along the B-M (back-mouth) line behind the entrance-to-ear-canal (EEC) point, as shown in Figure 9.1.2 The Reference Plane is defined as passing through the two ear reference points and point M. The line N-F (neck-front), also called the reference pivoting line, is normal to the Reference Plane and perpendicular to both a line passing through RE and LE and the B-M line (see Figure 9.1.3). Both N-F and B-M lines should be marked on the exterior of the phantom shell to facilitate handset positioning. Posterior to the N-F line the ear shape is a flat surface with 6 mm thickness at each ERP, and forward of the N-F line the ear is truncated, as illustrated in Figure 9.1.2. The ear truncation is introduced to preclude the ear lobe from interfering with handset tilt, which could lead to unstable positioning at the cheek.



**Fig 9.1.1 Front, back, and side views of SAM twin phantom**



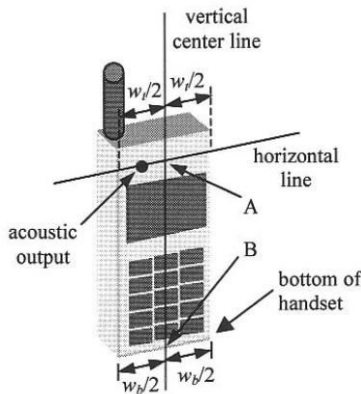
**Fig 9.1.2 Close-up side view of phantom showing the ear region.**



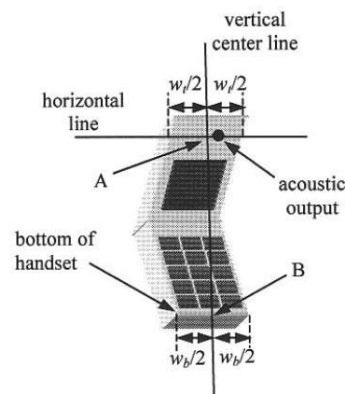
**Fig 9.1.3 Side view of the phantom showing relevant markings and seven cross-sectional plane locations**

**11.2 Definition of the cheek position**

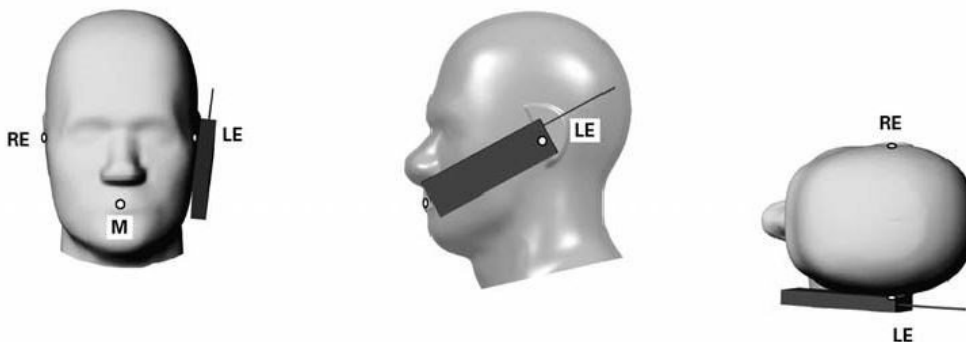
1. Ready the handset for talk operation, if necessary. For example, for handsets with a cover piece (flip cover), open the cover. If the handset can transmit with the cover closed, both configurations must be tested.
2. Define two imaginary lines on the handset—the vertical centerline and the horizontal line. The vertical centerline passes through two points on the front side of the handset—the midpoint of the width  $w_t$  of the handset at the level of the acoustic output (point A in Figure 9.2.1 and Figure 9.2.2), and the midpoint of the width  $w_b$  of the bottom of the handset (point B). The horizontal line is perpendicular to the vertical centerline and passes through the center of the acoustic output (see Figure 9.2.1). The two lines intersect at point A. Note that for many handsets, point A coincides with the center of the acoustic output; however, the acoustic output may be located elsewhere on the horizontal line. Also note that the vertical centerline is not necessarily parallel to the front face of the handset (see Figure 9.2.2), especially for clamshell handsets, handsets with flip covers, and other irregularly-shaped handsets.
3. Position the handset close to the surface of the phantom such that point A is on the (virtual) extension of the line passing through points RE and LE on the phantom (see Figure 9.2.3), such that the plane defined by the vertical centerline and the horizontal line of the handset is approximately parallel to the sagittal plane of the phantom.
4. Translate the handset towards the phantom along the line passing through RE and LE until handset point A touches the pinna at the ERP.
5. While maintaining the handset in this plane, rotate it around the LE-RE line until the vertical centerline is in the plane normal to the plane containing B-M and N-F lines, i.e., the Reference Plane.
6. Rotate the handset around the vertical centerline until the handset (horizontal line) is parallel to the N-F line.
7. While maintaining the vertical centerline in the Reference Plane, keeping point A on the line passing through RE and LE, and maintaining the handset contact with the pinna, rotate the handset about the N-F line until any point on the handset is in contact with a phantom point below the pinna on the cheek. See Figure 9.2.3. The actual rotation angles should be documented in the test report.



**Fig 9.2.1 Handset vertical and horizontal reference lines—“fixed case”**



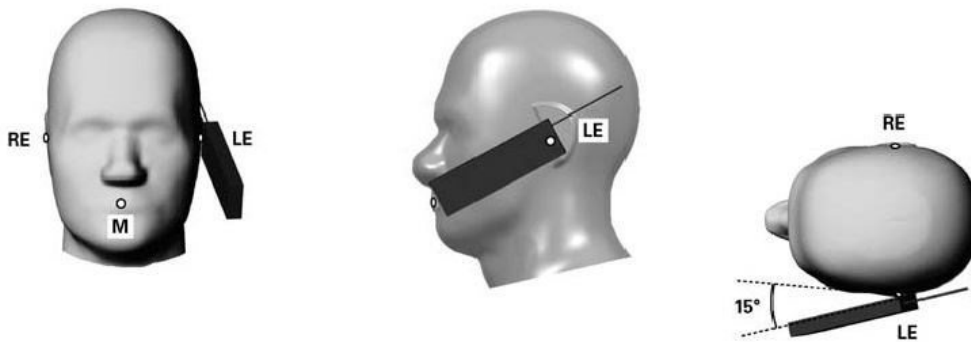
**Fig 9.2.2 Handset vertical and horizontal reference lines—“clam-shell case”**



**Fig 9.2.3 cheek or touch position. The reference points for the right ear (RE), left ear (LE), and mouth (M), which establish the Reference Plane for handset positioning, are indicated.**

**11.3 Definition of the tilt position**

1. Ready the handset for talk operation, if necessary. For example, for handsets with a cover piece (flip cover), open the cover. If the handset can transmit with the cover closed, both configurations must be tested.
2. While maintaining the orientation of the handset, move the handset away from the pinna along the line passing through RE and LE far enough to allow a rotation of the handset away from the cheek by 15°.
3. Rotate the handset around the horizontal line by 15°.
4. While maintaining the orientation of the handset, move the handset towards the phantom on the line passing through RE and LE until any part of the handset touches the ear. The tilt position is obtained when the contact point is on the pinna. See Figure 9.3.1. If contact occurs at any location other than the pinna, e.g., the antenna at the back of the phantom head, the angle of the handset should be reduced. In this case, the tilt position is obtained if any point on the handset is in contact with the pinna and a second point

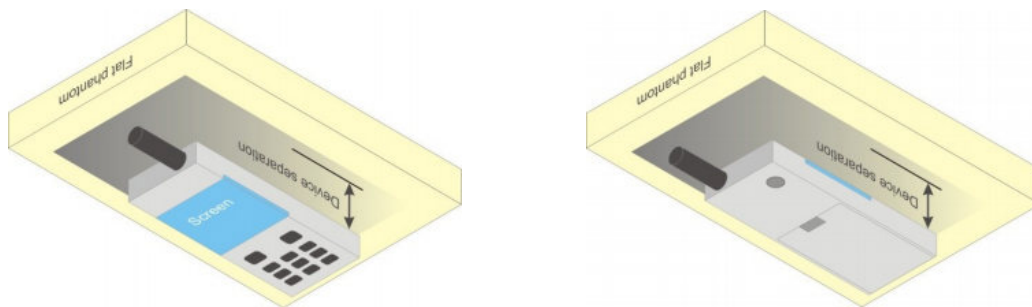


**Fig 9.3.1 Tilt position. The reference points for the right ear (RE), left ear (LE), and mouth (M), which define the Reference Plane for handset positioning, are indicated.**

### **11.4 Body Worn Accessory**

Body-worn operating configurations are tested with the belt-clips and holsters attached to the device and positioned against a flat phantom in a normal use configuration (see Figure 9.4). Per KDB648474 D04v01r03, body-worn accessory exposure is typically related to voice mode operations when handsets are carried in body-worn accessories. The body-worn accessory procedures in FCC KDB 447498 D01v06 should be used to test for body-worn accessory SAR compliance, without a headset connected to it. This enables the test results for such configuration to be compatible with that required for hotspot mode when the body-worn accessory test separation distance is greater than or equal to that required for hotspot mode, when applicable. When the reported SAR for body-worn accessory, measured without a headset connected to the handset is  $> 1.2 \text{ W/kg}$ , the highest reported SAR configuration for that wireless mode and frequency band should be repeated for that body-worn accessory with a handset attached to the handset.

Accessories for body-worn operation configurations are divided into two categories: those that do not contain metallic components and those that do contain metallic components. When multiple accessories that do not contain metallic components are supplied with the device, the device is tested with only the accessory that dictates the closest spacing to the body. Then multiple accessories that contain metallic components are tested with the device with each accessory. If multiple accessories share an identical metallic component (i.e. the same metallic belt-clip used with different holsters with no other metallic components) only the accessory that dictates the closest spacing to the body is tested.



**Fig 9.4 Body Worn Position**

### **11.5 Wireless Router**

Some battery-operated handsets have the capability to transmit and receive user through simultaneous transmission of WIFI simultaneously with a separate licensed transmitter. The FCC has provided guidance in FCC KDB Publication 941225 D06 v02r01 where SAR test considerations for handsets ( $L \times W \geq 9 \text{ cm} \times 5 \text{ cm}$ ) are based on a composite test separation distance of 10mm from the front, back and edges of the device containing transmitting antennas within 2.5cm of their edges, determined from general mixed use conditions for this type of devices. Since the hotspot SAR results may overlap with the body-worn accessory SAR requirements, the more conservative configurations can be considered, thus excluding some body-worn accessory SAR tests.

When the user enables the personal wireless router functions for the handset, actual operations include simultaneous transmission of both the WIFI transmitter and another licensed transmitter. Both transmitters often do not transmit at the same transmitting frequency and thus cannot be evaluated for SAR under actual use conditions due to the limitations of the SAR assessment probes. Therefore, SAR must be evaluated for each frequency transmission and mode separately and spatially summed with the WIFI transmitter according to FCC KDB Publication 447498 D01v06 publication procedures. The "Portable Hotspot" feature on the handset was NOT activated during SAR assessments, to ensure the SAR measurements were evaluated for a single transmission frequency RF signal at a time.



## 12. Conducted RF Output Power (Unit: dBm)

### <GSM Conducted Power>

GSM850 Tx Channel	Burst Average Power (dBm)			Tune-up Limit (dBm)	Frame-Average Power (dBm)			Tune-up Limit (dBm)
	128	189	251		128	189	251	
Frequency (MHz)	824.2	836.4	848.8		824.2	836.4	848.8	
GSM 1 Tx slot	<b>32.72</b>	32.58	32.55	33.50	23.72	23.58	23.55	24.50
GPRS 1 Tx slot	32.71	32.57	32.54	33.50	23.71	23.57	23.54	24.50
GPRS 2 Tx slots	30.41	30.34	30.33	31.00	<b>24.41</b>	24.34	24.33	25.00
GPRS 3 Tx slots	28.35	28.30	28.44	28.70	24.09	24.04	24.18	24.44
GPRS 4 Tx slots	26.86	26.85	27.04	27.50	23.86	23.85	24.04	24.50
EDGE 1 Tx slot	26.08	25.98	26.18	27.00	17.08	16.98	17.18	18.00
EDGE 2 Tx slots	23.92	23.90	24.05	24.50	17.92	17.90	18.05	18.50
EDGE 3 Tx slots	22.12	22.10	22.16	22.70	17.86	17.84	17.90	18.44
EDGE 4 Tx slots	21.10	21.00	21.20	21.50	18.10	18.00	18.20	18.50

**Remark:** The frame-averaged power is linearly scaled the maximum burst averaged power over 8 time slots.

The calculated method are shown as below:

Frame-averaged power = Maximum burst averaged power (1 Tx Slot) - 9 dB

Frame-averaged power = Maximum burst averaged power (2 Tx Slots) - 6 dB

Frame-averaged power = Maximum burst averaged power (3 Tx Slots) - 4.26 dB

Frame-averaged power = Maximum burst averaged power (4 Tx Slots) - 3 dB

GSM1900 Tx Channel	Burst Average Power (dBm)			Tune-up Limit (dBm)	Frame-Average Power (dBm)			Tune-up Limit (dBm)
	512	661	810		512	661	810	
Frequency (MHz)	1850.2	1880	1909.8		1850.2	1880	1909.8	
GSM 1 Tx slot	29.82	29.60	<b>30.17</b>	30.50	20.82	20.60	21.17	21.50
GPRS 1 Tx slot	29.81	29.58	30.16	30.50	20.81	20.58	21.16	21.50
GPRS 2 Tx slots	27.90	27.85	28.13	29.50	21.90	21.85	<b>22.13</b>	23.50
GPRS 3 Tx slots	25.83	25.62	26.25	26.50	21.57	21.36	21.99	22.24
GPRS 4 Tx slots	24.47	24.22	24.86	25.50	21.47	21.22	21.86	22.50
EDGE 1 Tx slot	24.77	24.64	24.81	25.00	15.77	15.64	15.81	16.00
EDGE 2 Tx slots	22.58	22.33	22.68	23.00	16.58	16.33	16.68	17.00
EDGE 3 Tx slots	20.69	20.48	20.78	21.00	16.43	16.22	16.52	16.74
EDGE 4 Tx slots	19.25	19.00	19.30	20.00	16.25	16.00	16.30	17.00

**Remark:** The frame-averaged power is linearly scaled the maximum burst averaged power over 8 time slots.

The calculated method are shown as below:

Frame-averaged power = Maximum burst averaged power (1 Tx Slot) - 9 dB

Frame-averaged power = Maximum burst averaged power (2 Tx Slots) - 6 dB

Frame-averaged power = Maximum burst averaged power (3 Tx Slots) - 4.26 dB

Frame-averaged power = Maximum burst averaged power (4 Tx Slots) - 3 dB

**<WCDMA Conducted Power>**

1. The following tests were conducted according to the test requirements outlines in 3GPP TS 34.121 specification.
2. The procedures in KDB 941225 D01v03r01 are applied for 3GPP Rel. 6 HSPA to configure the device in the required sub-test mode(s) to determine SAR test exclusion.
3. For DC-HSDPA, the device was configured according to the H-Set 12, Fixed Reference Channel (FRC) configuration in Table C.8.1.12 of 3GPP TS 34.121-1, with the primary and the secondary serving HS-DSCH Cell enabled during the power measurement.

A summary of these settings are illustrated below:

**HSDPA Setup Configuration:**

- a. The EUT was connected to Base Station Agilent E5515C referred to the Setup Configuration.
- b. The RF path losses were compensated into the measurements.
- c. A call was established between EUT and Base Station with following setting:
  - i. Set Gain Factors ( $\beta_c$  and  $\beta_d$ ) and parameters were set according to each
  - ii. Specific sub-test in the following table, C10.1.4, quoted from the TS 34.121
  - iii. Set RMC 12.2Kbps + HSDPA mode.
  - iv. Set Cell Power = -86 dBm
  - v. Set HS-DSCH Configuration Type to FRC (H-set 1, QPSK)
  - vi. Select HSDPA Uplink Parameters
  - vii. Set Delta ACK, Delta NACK and Delta CQI = 8
  - viii. Set Ack-Nack Repetition Factor to 3
  - ix. Set CQI Feedback Cycle (k) to 4 ms
  - x. Set CQI Repetition Factor to 2
  - xi. Power Ctrl Mode = All Up bits
- d. The transmitted maximum output power was recorded.

**Table C.10.1.4:  $\beta$  values for transmitter characteristics tests with HS-DPCCH**

Sub-test	$\beta_c$	$\beta_d$	$\beta_d$ (SF)	$\beta_c/\beta_d$	$\beta_{HS}$ (Note 1, Note 2)	CM (dB) (Note 3)	MPR (dB) (Note 3)
1	2/15	15/15	64	2/15	4/15	0.0	0.0
2	12/15 (Note 4)	15/15 (Note 4)	64	12/15 (Note 4)	24/15	1.0	0.0
3	15/15	8/15	64	15/8	30/15	1.5	0.5
4	15/15	4/15	64	15/4	30/15	1.5	0.5

Note 1:  $\Delta_{ACK}, \Delta_{NACK}$  and  $\Delta_{CQI} = 30/15$  with  $\beta_{HS} = 30/15 * \beta_c$ .

Note 2: For the HS-DPCCH power mask requirement test in clause 5.2C, 5.7A, and the Error Vector Magnitude (EVM) with HS-DPCCH test in clause 5.13.1A, and HSDPA EVM with phase discontinuity in clause 5.13.1AA,  $\Delta_{ACK}$  and  $\Delta_{NACK} = 30/15$  with  $\beta_{HS} = 30/15 * \beta_c$ , and  $\Delta_{CQI} = 24/15$  with  $\beta_{HS} = 24/15 * \beta_c$ .

Note 3: CM = 1 for  $\beta_c/\beta_d = 12/15, \beta_{HS}/\beta_c = 24/15$ . For all other combinations of DPCCH, DPDCCH and HS-DPCCH the MPR is based on the relative CM difference. This is applicable for only UEs that support HSDPA in release 6 and later releases.

Note 4: For subtest 2 the  $\beta_c/\beta_d$  ratio of 12/15 for the TFC during the measurement period (TF1, TF0) is achieved by setting the signalled gain factors for the reference TFC (TF1, TF1) to  $\beta_c = 11/15$  and  $\beta_d = 15/15$ .

**Setup Configuration**

**HSUPA Setup Configuration:**

- a. The EUT was connected to Base Station Agilent E5515C referred to the Setup Configuration.
- b. The RF path losses were compensated into the measurements.
- c. A call was established between EUT and Base Station with following setting \* :
  - i. Call Configs = 5.2B, 5.9B, 5.10B, and 5.13.2B with QPSK
  - ii. Set the Gain Factors ( $\beta_c$  and  $\beta_d$ ) and parameters (AG Index) were set according to each specific sub-test in the following table, C11.1.3, quoted from the TS 34.121
  - iii. Set Cell Power = -86 dBm
  - iv. Set Channel Type = 12.2k + HSPA
  - v. Set UE Target Power
  - vi. Power Ctrl Mode= Alternating bits
  - vii. Set and observe the E-TFCl
  - viii. Confirm that E-TFCl is equal to the target E-TFCl of 75 for sub-test 1, and other subtest's E-TFCl
- d. The transmitted maximum output power was recorded.

**Table C.11.1.3:  $\beta$  values for transmitter characteristics tests with HS-DPCCH and E-DCH**

Sub-test	$\beta_c$	$\beta_d$	$\beta_d$ (SF)	$\beta_c/\beta_d$	$\beta_{HS}$ (Note 1)	$\beta_{ec}$	$\beta_{ed}$ (Note 5) (Note 6)	$\beta_{ed}$ (SF)	$\beta_{ed}$ (Codes)	CM (dB) (Note 2)	MPR (dB) (Note 2)	AG Index (Note 6)	E-TFCl
1	11/15 (Note 3)	15/15 (Note 3)	64	11/15 (Note 3)	22/15	209/25	1309/225	4	1	1.0	0.0	20	75
2	6/15	15/15	64	6/15	12/15	12/15	94/75	4	1	3.0	2.0	12	67
3	15/15	9/15	64	15/9	30/15	30/15	$\beta_{ed1}: 47/15$ $\beta_{ed2}: 47/15$	4 4	2	2.0	1.0	15	92
4	2/15	15/15	64	2/15	4/15	2/15	56/75	4	1	3.0	2.0	17	71
5	15/15 (Note 4)	15/15 (Note 4)	64	15/15 (Note 4)	30/15	24/15	134/15	4	1	1.0	0.0	21	81

Note 1:  $\Delta_{ACK}, \Delta_{NACK}$  and  $\Delta_{CQI} = 30/15$  with  $\beta_{hs} = 30/15 * \beta_c$ .

Note 2: CM = 1 for  $\beta_c/\beta_d = 12/15, \beta_{hs}/\beta_c = 24/15$ . For all other combinations of DPDCH, DPCCH, HS- DPCCH, E-DPDCH and E-DPCCH the MPR is based on the relative CM difference.

Note 3: For subtest 1 the  $\beta_c/\beta_d$  ratio of 11/15 for the TFC during the measurement period (TF1, TF0) is achieved by setting the signalled gain factors for the reference TFC (TF1, TF1) to  $\beta_c = 10/15$  and  $\beta_d = 15/15$ .

Note 4: For subtest 5 the  $\beta_c/\beta_d$  ratio of 15/15 for the TFC during the measurement period (TF1, TF0) is achieved by setting the signalled gain factors for the reference TFC (TF1, TF1) to  $\beta_c = 14/15$  and  $\beta_d = 15/15$ .

Note 5: In case of testing by UE using E-DPDCH Physical Layer category 1, Sub-test 3 is omitted according to TS25.306 Table 5.1g.

Note 6:  $\beta_{ed}$  can not be set directly, it is set by Absolute Grant Value.

**Setup Configuration**

**DC-HSDPA 3GPP release 8 Setup Configuration:**

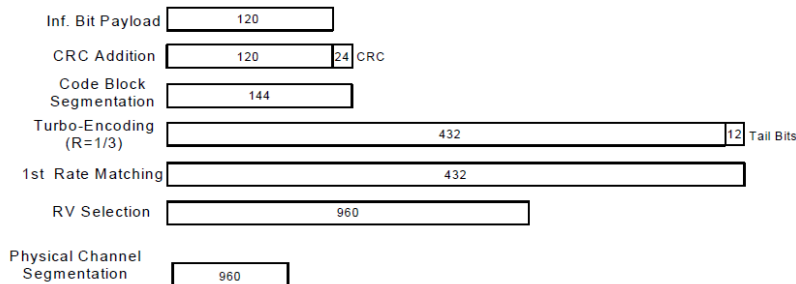
- a. The EUT was connected to Base Station Agilent E5515C referred to the Setup Configuration below
- b. The RF path losses were compensated into the measurements.
- c. A call was established between EUT and Base Station with following setting:
  - i. Set RMC 12.2Kbps + HSDPA mode.
  - ii. Set Cell Power = -25 dBm
  - iii. Set HS-DSCH Configuration Type to FRC (H-set 12, QPSK)
  - iv. Select HSDPA Uplink Parameters
  - v. Set Gain Factors ( $\beta_c$  and  $\beta_d$ ) and parameters were set according to each Specific sub-test in the following table, C10.1.4, quoted from the TS 34.121
    - a). Subtest 1:  $\beta_c/\beta_d=2/15$
    - b). Subtest 2:  $\beta_c/\beta_d=12/15$
    - c). Subtest 3:  $\beta_c/\beta_d=15/8$
    - d). Subtest 4:  $\beta_c/\beta_d=15/4$
  - vi. Set Delta ACK, Delta NACK and Delta CQI = 8
  - vii. Set Ack-Nack Repetition Factor to 3
  - viii. Set CQI Feedback Cycle (k) to 4 ms
  - ix. Set CQI Repetition Factor to 2
  - x. Power Ctrl Mode = All Up bits
- d. The transmitted maximum output power was recorded.

The following tests were conducted according to the test requirements outlines in 3GPP TS 34.121 specification. A summary of these settings are illustrated below:

**C.8.1.12 Fixed Reference Channel Definition H-Set 12**

**Table C.8.1.12: Fixed Reference Channel H-Set 12**

Parameter	Unit	Value
Nominal Avg. Inf. Bit Rate	kbps	60
Inter-TTI Distance	TTI's	1
Number of HARQ Processes	Processes	6
Information Bit Payload ( $N_{INF}$ )	Bits	120
Number Code Blocks	Blocks	1
Binary Channel Bits Per TTI	Bits	960
Total Available SML's in UE	SML's	19200
Number of SML's per HARQ Proc.	SML's	3200
Coding Rate		0.15
Number of Physical Channel Codes	Codes	1
Modulation		QPSK
Note 1: The RMC is intended to be used for DC-HSDPA mode and both cells shall transmit with identical parameters as listed in the table. Note 2: Maximum number of transmission is limited to 1, i.e., retransmission is not allowed. The redundancy and constellation version 0 shall be used.		



**Figure C.8.19: Coding rate for Fixed reference Channel H-Set 12 (QPSK)**

**Setup Configuration**



**<WCDMA Conducted Power>**

Band		WCDMA Band II			Tune-up Limit (dBm)	Tune-up Limit (dBm)	WCDMA Band V			Tune-up Limit (dBm)
Tx Channel		9262	9400	9538			4132	4182	4233	
Rx Channel		9662	9800	9938		4357	4407	4458		
Frequency (MHz)		1852.4	1880	1907.6		826.4	836.4	846.6		
3GPP Rel 99	AMR 12.2Kbps	22.90	22.83	22.61	23.50	23.50	23.00	22.69	22.43	24.00
3GPP Rel 99	RMC 12.2Kbps	<b>22.92</b>	22.84	22.62	23.50	23.50	<b>23.02</b>	22.70	22.44	24.00
3GPP Rel 6	HSDPA Subtest-1	22.08	21.66	21.61	23.00	23.00	22.08	21.72	21.50	23.00
3GPP Rel 6	HSDPA Subtest-2	22.05	21.94	21.63	23.00	23.00	22.01	21.74	21.49	23.00
3GPP Rel 6	HSDPA Subtest-3	21.51	21.45	21.13	22.50	22.50	21.52	21.20	21.01	22.50
3GPP Rel 6	HSDPA Subtest-4	21.60	21.40	21.10	22.50	22.50	21.47	21.15	20.98	22.50
3GPP Rel 8	DC-HSDPA Subtest-1	21.66	21.57	21.27	22.50	22.50	21.70	21.31	21.17	22.50
3GPP Rel 8	DC-HSDPA Subtest-2	21.75	21.56	21.29	22.50	22.50	21.60	21.37	21.21	22.50
3GPP Rel 8	DC-HSDPA Subtest-3	21.74	21.57	21.26	22.00	22.00	21.63	21.44	21.15	22.00
3GPP Rel 8	DC-HSDPA Subtest-4	21.78	21.58	21.29	22.00	22.00	21.69	21.43	21.15	22.00
3GPP Rel 6	HSUPA Subtest-1	21.68	22.45	22.23	23.00	23.00	21.61	21.65	20.50	22.00
3GPP Rel 6	HSUPA Subtest-2	21.56	21.03	21.08	22.00	22.00	21.05	20.45	20.75	21.50
3GPP Rel 6	HSUPA Subtest-3	21.32	20.54	21.14	22.00	22.00	21.04	20.04	19.83	21.50
3GPP Rel 6	HSUPA Subtest-4	21.88	21.64	21.43	22.00	22.00	21.50	20.93	20.92	22.00
3GPP Rel 6	HSUPA Subtest-5	22.60	22.56	22.26	23.00	23.00	22.24	21.92	21.71	23.00



**<LTE Conducted Power>**

**<Full Power Mode>**

**<LTE Band 5>**

BW [MHz]	Modulation	RB Size	RB Offset	Power Low Ch. / Freq.	Power Middle Ch. / Freq.	Power High Ch. / Freq.	Tune-up limit (dBm)	MPR (dB)
Channel				20450	20525	20600		
Frequency (MHz)				829	836.5	844		
10	QPSK	1	0	22.66	22.13	22.67	24.00	0
10	QPSK	1	25	22.67	22.67	23.05		
10	QPSK	1	49	22.13	22.65	22.66		
10	QPSK	25	0	22.02	21.85	22.10	23.00	1
10	QPSK	25	12	21.83	21.82	21.97		
10	QPSK	25	25	21.76	21.79	22.01		
10	QPSK	50	0	21.89	21.79	21.96	23.00	1
10	16QAM	1	0	21.82	21.44	21.54		
10	16QAM	1	25	21.75	21.57	21.75		
10	16QAM	1	49	21.02	21.65	21.62	22.00	2
10	16QAM	25	0	21.00	20.83	21.00		
10	16QAM	25	12	21.11	21.00	21.03		
10	16QAM	25	25	20.76	20.79	20.91	22.00	2
10	16QAM	25	49	20.76	20.79	20.91		
10	16QAM	50	0	20.87	20.70	20.88		
Channel				20425	20525	20625	Tune-up limit (dBm)	MPR (dB)
Frequency (MHz)				826.5	836.5	846.5		
5	QPSK	1	0	22.77	22.10	22.66	24.00	0
5	QPSK	1	12	22.69	22.22	22.67		
5	QPSK	1	24	22.38	22.47	22.40		
5	QPSK	12	0	22.20	21.73	22.01	23.00	1
5	QPSK	12	7	22.18	21.70	21.98		
5	QPSK	12	13	22.08	21.79	21.92		
5	QPSK	25	0	22.12	21.78	21.95	23.00	1
5	16QAM	1	0	21.90	21.46	21.64		
5	16QAM	1	12	22.15	21.54	21.77		
5	16QAM	1	24	21.82	21.56	21.57	22.00	2
5	16QAM	12	0	21.39	20.45	21.02		
5	16QAM	12	7	21.36	20.71	20.98		
5	16QAM	12	13	21.27	20.71	21.02	22.00	2
5	16QAM	12	13	21.27	20.71	21.02		
5	16QAM	25	0	21.01	20.69	21.04		



Channel				20415	20525	20635	Tune-up limit (dBm)	MPR (dB)
Frequency (MHz)				825.5	836.5	847.5		
3	QPSK	1	0	22.73	22.34	22.49	24.00	0
3	QPSK	1	8	22.89	22.54	22.57		
3	QPSK	1	14	22.78	22.31	22.36		
3	QPSK	8	0	22.28	21.71	22.06	23.00	1
3	QPSK	8	4	22.18	21.72	21.96		
3	QPSK	8	7	22.27	21.76	21.95		
3	QPSK	15	0	22.27	21.80	22.05	23.00	1
3	16QAM	1	0	21.89	21.33	21.99		
3	16QAM	1	8	21.91	21.60	22.00		
3	16QAM	1	14	21.83	21.64	21.71	22.00	2
3	16QAM	8	0	21.11	20.74	21.00		
3	16QAM	8	4	21.13	20.87	20.92		
3	16QAM	8	7	21.20	20.90	20.97	22.00	2
3	16QAM	15	0	21.16	20.80	20.97		
Channel				20407	20525	20643	Tune-up limit (dBm)	MPR (dB)
Frequency (MHz)				824.7	836.5	848.3		
1.4	QPSK	1	0	23.00	22.29	22.74	24.00	0
1.4	QPSK	1	3	23.07	22.34	22.78		
1.4	QPSK	1	5	22.82	22.46	22.59		
1.4	QPSK	3	0	23.06	22.48	22.79		
1.4	QPSK	3	1	23.10	22.63	22.87		
1.4	QPSK	3	3	23.00	22.66	22.94	23.00	1
1.4	QPSK	6	0	22.23	21.83	22.06		
1.4	16QAM	1	0	21.96	21.49	21.89	23.00	1
1.4	16QAM	1	3	21.98	21.60	21.87		
1.4	16QAM	1	5	22.01	21.62	21.76		
1.4	16QAM	3	0	22.44	21.58	22.33		
1.4	16QAM	3	1	22.45	21.60	22.20		
1.4	16QAM	3	3	22.39	21.75	22.06	22.00	2
1.4	16QAM	6	0	21.18	20.80	20.84		



**<LTE Band 7>**

BW [MHz]	Modulation	RB Size	RB Offset	Power Low Ch. / Freq.	Power Middle Ch. / Freq.	Power High Ch. / Freq.	Tune-up limit (dBm)	MPR (dB)
Channel				20850	21100	21350		
Frequency (MHz)				2510	2535	2560		
20	QPSK	1	0	23.03	22.86	23.21	24.00	0
20	QPSK	1	49	23.67	23.73	23.30		
20	QPSK	1	99	23.03	22.98	23.04		
20	QPSK	50	0	22.00	22.14	21.99	23.00	1
20	QPSK	50	24	22.09	22.24	22.02		
20	QPSK	50	50	22.04	22.04	21.85		
20	QPSK	100	0	22.09	22.15	21.99	23.00	1
20	16QAM	1	0	21.81	21.58	21.96		
20	16QAM	1	49	21.64	22.06	22.02		
20	16QAM	1	99	21.32	21.58	21.76	22.00	2
20	16QAM	50	0	21.10	21.19	21.04		
20	16QAM	50	24	21.29	21.21	20.95		
20	16QAM	50	50	21.31	21.16	20.90	22.00	2
20	16QAM	100	0	21.23	21.24	20.99		
Channel				20825	21100	21375		
Frequency (MHz)				2507.5	2535	2562.5		
15	QPSK	1	0	23.01	23.28	23.04	24.00	0
15	QPSK	1	37	23.50	23.59	23.21		
15	QPSK	1	74	23.14	23.36	22.96		
15	QPSK	36	0	22.11	22.23	22.06	23.00	1
15	QPSK	36	20	22.11	22.27	21.83		
15	QPSK	36	39	22.10	22.16	21.96		
15	QPSK	75	0	22.19	22.14	21.99	23.00	1
15	16QAM	1	0	21.81	21.91	21.70		
15	16QAM	1	37	22.53	22.49	21.90		
15	16QAM	1	74	22.06	22.09	21.55	22.00	2
15	16QAM	36	0	21.08	21.18	21.15		
15	16QAM	36	20	21.17	21.26	20.79		
15	16QAM	36	39	21.11	21.10	21.02	22.00	2
15	16QAM	75	0	21.11	21.29	21.19		



Channel				20800	21100	21400	Tune-up limit (dBm)	MPR (dB)
Frequency (MHz)				2505	2535	2565		
10	QPSK	1	0	23.10	23.10	22.91	24.00	0
10	QPSK	1	25	23.34	23.39	23.21		
10	QPSK	1	49	23.20	23.18	22.92		
10	QPSK	25	0	22.14	22.26	21.86	23.00	1
10	QPSK	25	12	22.11	22.29	21.95		
10	QPSK	25	25	22.08	22.13	21.91		
10	QPSK	50	0	22.07	22.16	21.79	23.00	1
10	16QAM	1	0	21.14	22.37	21.84		
10	16QAM	1	25	21.76	22.46	22.13		
10	16QAM	1	49	21.50	21.58	21.21	22.00	2
10	16QAM	25	0	21.09	21.14	20.84		
10	16QAM	25	12	21.32	21.35	20.99		
10	16QAM	25	25	21.15	21.17	21.05	22.00	2
10	16QAM	50	0	21.21	21.17	21.02		
Channel				20775	21100	21425	Tune-up limit (dBm)	MPR (dB)
Frequency (MHz)				2502.5	2535	2567.5		
5	QPSK	1	0	22.85	23.22	23.01	24.00	0
5	QPSK	1	12	23.44	23.34	23.23		
5	QPSK	1	24	23.07	23.09	22.75		
5	QPSK	12	0	21.92	22.18	21.86	23.00	1
5	QPSK	12	7	22.10	22.24	21.88		
5	QPSK	12	13	22.06	22.18	21.84		
5	QPSK	25	0	22.07	22.19	21.79	23.00	1
5	16QAM	1	0	22.02	22.25	21.73		
5	16QAM	1	12	21.79	21.51	21.95		
5	16QAM	1	24	21.72	21.41	21.44	22.00	2
5	16QAM	12	0	20.95	21.31	20.99		
5	16QAM	12	7	21.00	21.21	20.97		
5	16QAM	12	13	20.82	21.35	20.84	22.00	2
5	16QAM	25	0	21.07	21.16	20.91		



**<Hotspot Reduced Power Mode>**

**<LTE Band 7>**

BW [MHz]	Modulation	RB Size	RB Offset	Power Low Ch. / Freq.	Power Middle Ch. / Freq.	Power High Ch. / Freq.	Tune-up limit (dBm)	MPR (dB)
Channel				20850	21100	21350		
Frequency (MHz)				2510	2535	2560		
20	QPSK	1	0	22.64	22.48	22.30	23.00	0
20	QPSK	1	49	22.97	22.87	22.76		
20	QPSK	1	99	22.40	22.48	22.30		
20	QPSK	50	0	20.99	20.90	20.84	22.00	1
20	QPSK	50	24	20.95	20.80	20.82		
20	QPSK	50	50	20.83	20.86	20.82		
20	QPSK	100	0	20.90	20.84	20.86	22.00	1
20	16QAM	1	0	20.59	20.68	20.63		
20	16QAM	1	49	21.47	21.22	21.28		
20	16QAM	1	99	20.76	20.72	20.10	21.00	2
20	16QAM	50	0	19.97	19.83	19.83		
20	16QAM	50	24	20.03	19.73	19.89		
20	16QAM	50	50	19.91	19.86	19.92	21.00	2
20	16QAM	100	0	19.89	19.89	19.82		
Channel				20825	21100	21375		
Frequency (MHz)				2507.5	2535	2562.5		
15	QPSK	1	0	22.58	22.69	22.67	23.00	0
15	QPSK	1	37	22.96	22.76	22.83		
15	QPSK	1	74	22.69	22.71	22.39		
15	QPSK	36	0	20.93	20.85	20.77	22.00	1
15	QPSK	36	20	20.93	20.81	20.81		
15	QPSK	36	39	20.88	20.81	20.69		
15	QPSK	75	0	20.94	20.81	20.81	22.00	1
15	16QAM	1	0	20.73	20.73	20.21		
15	16QAM	1	37	21.10	21.06	20.28		
15	16QAM	1	74	20.48	20.60	20.20	21.00	2
15	16QAM	36	0	20.01	19.94	19.70		
15	16QAM	36	20	19.99	19.82	19.97		
15	16QAM	36	39	19.88	19.85	19.74	21.00	2
15	16QAM	75	0	19.92	19.84	19.84		



Channel				20800	21100	21400	Tune-up limit (dBm)	MPR (dB)
Frequency (MHz)				2505	2535	2565		
10	QPSK	1	0	22.38	22.38	22.32	23.00	0
10	QPSK	1	25	22.80	22.58	22.72		
10	QPSK	1	49	22.67	22.53	22.37		
10	QPSK	25	0	20.90	20.74	20.73	22.00	1
10	QPSK	25	12	20.86	20.71	20.71		
10	QPSK	25	25	20.88	20.77	20.60		
10	QPSK	50	0	20.83	20.77	20.77	22.00	1
10	16QAM	1	0	20.46	20.14	20.40		
10	16QAM	1	25	20.82	20.59	20.49		
10	16QAM	1	49	20.72	20.68	20.23	21.00	2
10	16QAM	25	0	19.95	19.75	19.79		
10	16QAM	25	12	19.81	19.75	19.69		
10	16QAM	25	25	19.94	19.65	19.66	21.00	2
10	16QAM	50	0	19.90	19.74	19.86		
Channel				20775	21100	21425	Tune-up limit (dBm)	MPR (dB)
Frequency (MHz)				2502.5	2535	2567.5		
5	QPSK	1	0	22.42	22.34	22.18	23.00	0
5	QPSK	1	12	22.61	22.59	22.43		
5	QPSK	1	24	22.46	22.38	22.18		
5	QPSK	12	0	20.79	20.68	20.63	22.00	1
5	QPSK	12	7	20.73	20.68	20.64		
5	QPSK	12	13	20.75	20.69	20.56		
5	QPSK	25	0	20.88	20.69	20.58	22.00	1
5	16QAM	1	0	21.04	20.60	20.23		
5	16QAM	1	12	20.93	20.58	20.32		
5	16QAM	1	24	20.72	20.59	20.19	21.00	2
5	16QAM	12	0	19.98	19.59	19.57		
5	16QAM	12	7	20.03	19.75	19.57		
5	16QAM	12	13	19.98	19.68	19.47	21.00	2
5	16QAM	25	0	19.94	19.68	19.54		



<WLAN Conducted Power>

<2.4GHz WLAN>

	Mode	Channel	Frequency (MHz)	Data Rate	Average power (dBm)	Tune-Up Limit	Duty Cycle %
2.4GHz WLAN	802.11b	CH 1	2412	1Mbps	16.40	18.00	97.94
		CH 6	2437		17.53	18.00	
		CH 11	2462		16.81	18.00	
	802.11g	CH 1	2412	6Mbps	10.73	12.00	87.04
		CH 6	2437		11.75	12.00	
		CH 11	2462		11.12	12.00	
	802.11n-HT20	CH 1	2412	MCS0	10.61	11.00	86.57
		CH 6	2437		10.51	11.00	
		CH 11	2462		9.29	11.00	



**<5GHz WLAN>**

	Mode	Channel	Frequency (MHz)	Data Rate	Average power (dBm)	Tune-Up Limit	Duty Cycle %
5.2GHz WLAN	802.11a	CH 36	5180	6Mbps	<b>12.96</b>	13.50	87.04
		CH 40	5200		12.73	13.50	
		CH 44	5220		12.86	13.50	
		CH 48	5240		12.56	13.50	
	802.11n-HT20	CH 36	5180	MCS0	12.72	13.50	86.52
		CH 40	5200		12.48	13.50	
		CH 44	5220		12.37	13.50	
		CH 48	5240		12.74	13.50	
	802.11n-HT40	CH 38	5190	MCS0	7.26	8.00	85.93
		CH 46	5230		7.18	8.00	

	Mode	Channel	Frequency (MHz)	Data Rate	Average power (dBm)	Tune-Up Limit	Duty Cycle %
5.3GHz WLAN	802.11a	CH 52	5260	6Mbps	12.63	13.50	87.04
		CH 56	5280		12.43	13.50	
		CH 60	5300		12.72	13.50	
		CH 64	5320		<b>12.78</b>	13.50	
	802.11n-HT20	CH 52	5260	MCS0	12.34	13.50	86.52
		CH 56	5280		12.21	13.50	
		CH 60	5300		12.05	13.50	
		CH 64	5320		12.19	13.50	
	802.11n-HT40	CH 54	5270	MCS0	7.88	9.00	85.93
		CH 62	5310		7.27	9.00	



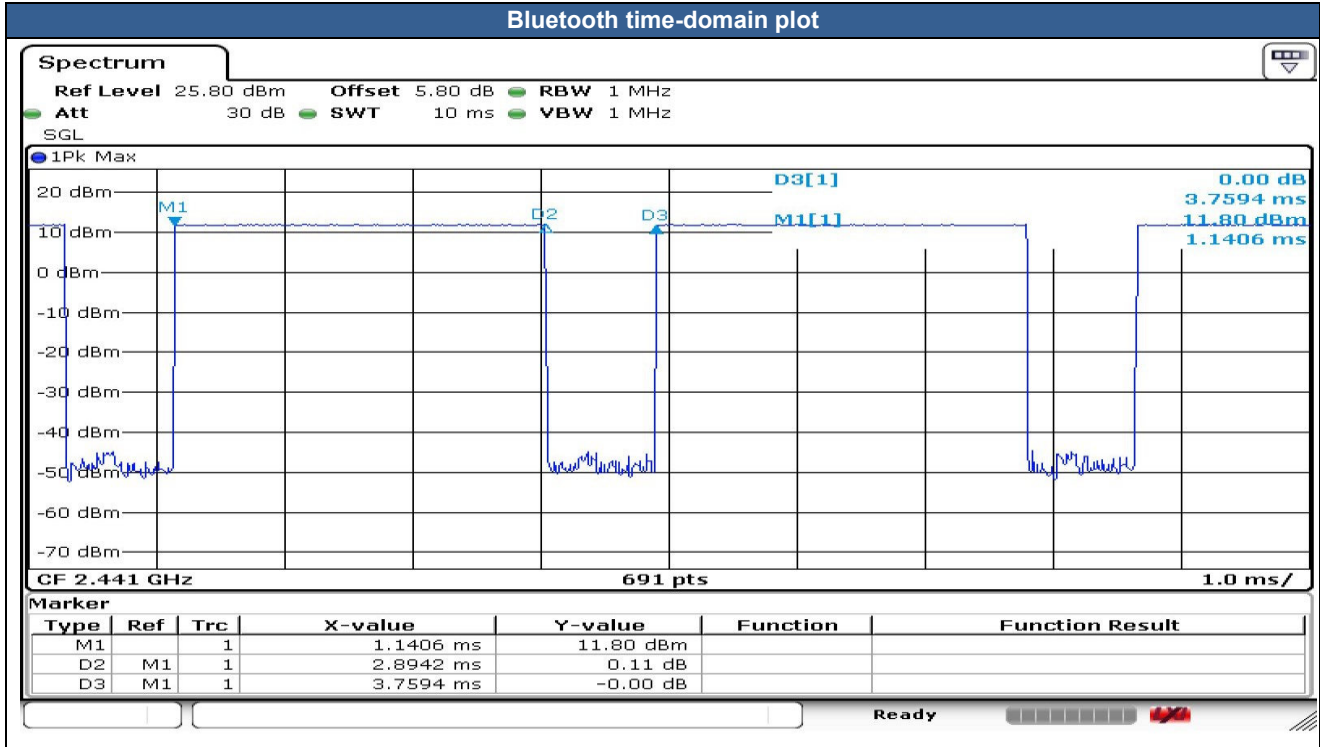
	Mode	Channel	Frequency (MHz)	Data Rate	Average power (dBm)	Tune-Up Limit	Duty Cycle %
5.5GHz WLAN	802.11a	CH 100	5500	6Mbps	10.95	11.50	87.66
		CH 116	5580		10.85	11.50	
		CH 120	5600		11.20	11.50	
		CH 124	5620		10.19	11.50	
		CH 132	5660		10.95	11.50	
		CH 140	5700		11.25	11.50	
	802.11n-HT20	CH 100	5500	MCS0	8.10	9.00	86.87
		CH 116	5580		8.15	9.00	
		CH 120	5600		8.27	9.00	
		CH 124	5620		7.23	9.00	
		CH 132	5660		8.79	9.00	
		CH 140	5700		8.41	9.00	
	802.11n-HT40	CH 102	5510	MCS0	6.75	7.00	85.96
		CH 110	5550		5.94	7.00	
		CH 126	5630		6.23	7.00	
CH 134		5670	5.58		7.00		

	Mode	Channel	Frequency (MHz)	Data Rate	Average power (dBm)	Tune-Up Limit	Duty Cycle %
5.8GHz WLAN	802.11a	CH 149	5745	MCS0	14.69	15.50	87.04
		CH 157	5785		14.24	15.50	
		CH 165	5825		14.94	15.50	
	802.11n-HT20	CH 149	5745	MCS0	13.57	15.00	86.52
		CH 157	5785		14.34	15.00	
		CH 165	5825		13.77	15.00	
	802.11n-HT40	CH 151	5755	MCS0	8.63	9.00	85.93
		CH 159	5795		8.80	9.00	



<2.4GHz Bluetooth>

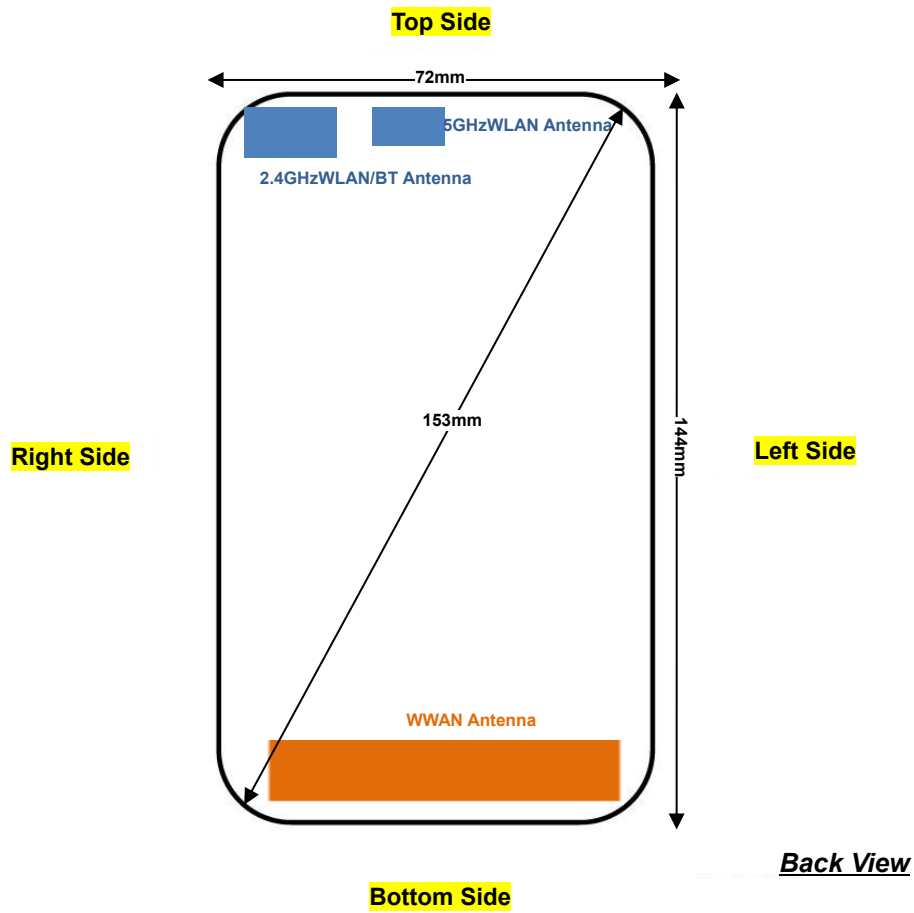
1. For 2.4GHz Bluetooth SAR testing was selected 1Mbps, due to its highest average power.
2. The Bluetooth duty cycle is 77.0 % as following figure, according to 2016 Oct. TCB workshop for Bluetooth SAR scaling need further consideration and the theoretical duty cycle is 83.3%, therefore the actual duty cycle will be scaled up to the theoretical value of Bluetooth reported SAR calculation



Mode	Channel	Frequency (MHz)	Average power (dBm)
			GFSK
Bluetooth 3.0+EDR	CH 00	2402	10.80
	CH 39	2441	11.89
	CH 78	2480	11.10
Tune-up Limit			12.50

Mode	Channel	Frequency (MHz)	Average power (dBm)
			GFSK
Bluetooth v4.0/4.2 with LE	CH 00	2402	10.06
	CH 19	2440	11.83
	CH 39	2480	9.85
Tune-up Limit			12.50

### 13. Antenna Location





## **14. SAR Test Results**

**General Note:**

1. Per KDB 447498 D01v06, the reported SAR is the measured SAR value adjusted for maximum tune-up tolerance.
  - a. Tune-up scaling Factor = tune-up limit power (mW) / EUT RF power (mW), where tune-up limit is the maximum rated power among all production units.
  - b. For SAR testing of WLAN signal with non-100% duty cycle, the measured SAR is scaled-up by the duty cycle scaling factor which is equal to "1/(duty cycle)"
  - c. For WWAN: Reported SAR(W/kg)= Measured SAR(W/kg)\*Tune-up Scaling Factor
  - d. For WLAN: Reported SAR(W/kg)= Measured SAR(W/kg)\* Duty Cycle scaling factor \* Tune-up scaling factor
2. Per KDB 447498 D01v06, for each exposure position, testing of other required channels within the operating mode of a frequency band is not required when the *reported* 1-g or 10-g SAR for the mid-band or highest output power channel is:
  - $\leq 0.8$  W/kg or 2.0 W/kg, for 1-g or 10-g respectively, when the transmission band is  $\leq 100$  MHz
  - $\leq 0.6$  W/kg or 1.5 W/kg, for 1-g or 10-g respectively, when the transmission band is between 100 MHz and 200 MHz
  - $\leq 0.4$  W/kg or 1.0 W/kg, for 1-g or 10-g respectively, when the transmission band is  $\geq 200$  MHz
3. Per KDB 865664 D01v01r04, for each frequency band, repeated SAR measurement is required only when the measured SAR is  $\geq 0.8$ W/kg.



**14.1 Head SAR**

**<GSM SAR>**

Plot No.	Band	Mode	Test Position	Ch.	Freq. (MHz)	Average Power (dBm)	Tune-Up Limit (dBm)	Tune-up Scaling Factor	Power Drift (dB)	Measured 1g SAR (W/kg)	Reported 1g SAR (W/kg)
01	GSM850	GPRS 2 Tx slots	Right Cheek	128	824.2	30.41	31.00	1.146	0.08	0.358	<b>0.410</b>
02	GSM1900	GPRS 2 Tx slots	Left Cheek	810	1909.8	28.13	29.50	1.371	0.09	0.382	<b>0.524</b>

**<WCDMA SAR>**

Plot No.	Band	Mode	Test Position	Ch.	Freq. (MHz)	Average Power (dBm)	Tune-Up Limit (dBm)	Tune-up Scaling Factor	Power Drift (dB)	Measured 1g SAR (W/kg)	Reported 1g SAR (W/kg)
03	WCDMA Band V	RMC 12.2Kbps	Left Cheek	4132	826.4	23.02	24.00	1.253	0.03	0.246	<b>0.308</b>
04	WCDMA Band II	RMC 12.2Kbps	Left Cheek	9262	1852.4	22.92	23.50	1.143	-0.07	0.603	<b>0.689</b>

**<LTE SAR>**

Plot No.	Band	BW (MHz)	Modulation	RB Size	RB offset	Test Position	Ch.	Freq. (MHz)	Average Power (dBm)	Tune-Up Limit (dBm)	Tune-up Scaling Factor	Power Drift (dB)	Measured 1g SAR (W/kg)	Reported 1g SAR (W/kg)
05	LTE Band 5	10M	QPSK	1RB	25Offset	Right Cheek	20525	836.5	22.67	24.00	1.358	0.02	0.293	<b>0.398</b>
06	LTE Band 7	20M	QPSK	1RB	49Offset	Left Cheek	21350	2560	23.30	24.00	1.175	0.01	0.676	<b>0.794</b>

**<WLAN SAR>**

Plot No.	Band	Mode	Test Position	Ch.	Freq. (MHz)	Average Power (dBm)	Tune-Up Limit (dBm)	Tune-up Scaling Factor	Duty Cycle %	Duty Cycle Scaling Factor	Power Drift (dB)	Measured 1g SAR (W/kg)	Reported 1g SAR (W/kg)
07	WLAN 2.4GHz	802.11b 1Mbps	Left Cheek	6	2437	17.53	18	1.114	97.94	1.021	-0.05	0.167	<b>0.190</b>

Plot No.	Band	Mode	Test Position	Ch.	Freq. (MHz)	Average Power (dBm)	Tune-Up Limit (dBm)	Tune-up Scaling Factor	Duty Cycle %	Duty Cycle Scaling Factor	Power Drift (dB)	Measured 1g SAR (W/kg)	Reported 1g SAR (W/kg)
08	WLAN 5.3GHz	802.11a 6Mbps	Right Tilted	64	5320	12.78	13.5	1.180	87.04	1.149	0.04	0.211	<b>0.286</b>
09	WLAN 5.5GHz	802.11a 6Mbps	Left Cheek	116	5580	10.85	11.50	1.161	87.66	1.141	-0.08	0.628	<b>0.832</b>
	WLAN 5.5GHz	802.11a 6Mbps	Left Cheek	140	5700	11.25	11.50	1.059	87.66	1.141	0.13	0.624	0.754
10	WLAN 5.8GHz	802.11a 6Mbps	Left Cheek	165	5825	14.94	15.5	1.138	87.04	1.149	0.01	0.130	<b>0.170</b>



**14.2 Hotspot SAR**

**<GSM SAR>**

Plot No.	Band	Mode	Test Position	Gap (mm)	Ch.	Freq. (MHz)	Average Power (dBm)	Tune-Up Limit (dBm)	Tune-up Scaling Factor	Power Drift (dB)	Measured 1g SAR (W/kg)	Reported 1g SAR (W/kg)
11	GSM850	GPRS 2 Tx slots	Back	10	128	824.2	30.41	31	1.146	0.07	0.633	<b>0.725</b>
12	GSM1900	GPRS 2 Tx slots	Front	10	810	1909.8	28.13	29.5	1.371	0.06	0.528	<b>0.724</b>

**<WCDMA SAR>**

Plot No.	Band	Mode	Test Position	Gap (mm)	Ch.	Freq. (MHz)	Average Power (dBm)	Tune-Up Limit (dBm)	Tune-up Scaling Factor	Power Drift (dB)	Measured 1g SAR (W/kg)	Reported 1g SAR (W/kg)
13	WCDMA Band V	RMC 12.2Kbps	Back	10	4132	826.4	23.02	24.00	1.253	0.07	0.500	<b>0.627</b>
14	WCDMA Band II	RMC 12.2Kbps	Back	10	9262	1852.4	22.92	23.5	1.143	0.02	0.938	<b>1.072</b>
	WCDMA Band II	RMC 12.2Kbps	Back	10	9400	1880	22.84	23.5	1.164	-0.03	0.891	1.037
	WCDMA Band II	RMC 12.2Kbps	Back	10	9538	1907.6	22.62	23.5	1.225	0.06	0.825	1.010

**<LTE SAR>**

Plot No.	Band	BW (MHz)	Modulation	RB Size	RB offset	Test Position	Gap (mm)	Ch.	Freq. (MHz)	Average Power (dBm)	Tune-Up Limit (dBm)	Tune-up Scaling Factor	Power Drift (dB)	Measured 1g SAR (W/kg)	Reported 1g SAR (W/kg)
15	LTE Band 5	10M	QPSK	1RB	25Offset	Back	10	20525	836.5	22.67	24.00	1.358	0.07	0.516	<b>0.701</b>

Plot No.	Band	BW (MHz)	Modulation	RB Size	RB offset	Test Position	Gap (mm)	Power Reduction	Ch.	Freq. (MHz)	Average Power (dBm)	Tune-Up Limit (dBm)	Tune-up Scaling Factor	Power Drift (dB)	Measured 1g SAR (W/kg)	Reported 1g SAR (W/kg)
16	LTE Band 7	20M	QPSK	1RB	49Offset	Bottom Side	10	Hotspot On	21350	2560	22.76	23	1.057	0.08	0.926	<b>0.979</b>
	LTE Band 7	20M	QPSK	1RB	49Offset	Bottom Side	10	Hotspot On	20850	2510	22.97	23	1.007	-0.08	0.896	0.902
	LTE Band 7	20M	QPSK	1RB	49Offset	Bottom Side	10	Hotspot On	21100	2535	22.87	23	1.030	0.03	0.865	0.891

**<WLAN SAR>**

Plot No.	Band	Mode	Test Position	Gap (mm)	Ch.	Freq. (MHz)	Average Power (dBm)	Tune-Up Limit (dBm)	Tune-up Scaling Factor	Duty Cycle %	Duty Cycle Scaling Factor	Power Drift (dB)	Measured 1g SAR (W/kg)	Reported 1g SAR (W/kg)
17	WLAN 2.4GHz	802.11b 1Mbps	Back	10	6	2437	17.53	18	1.114	97.94	1.021	0.04	0.033	<b>0.038</b>

Plot No.	Band	Mode	Test Position	Gap (mm)	Ch.	Freq. (MHz)	Average Power (dBm)	Tune-Up Limit (dBm)	Tune-up Scaling Factor	Duty Cycle %	Duty Cycle Scaling Factor	Power Drift (dB)	Measured 1g SAR (W/kg)	Reported 1g SAR (W/kg)
18	WLAN 5.2GHz	802.11a 6Mbps	Top Side	10	36	5180	12.96	13.5	1.132	87.04	1.149	-0.01	0.131	<b>0.170</b>
19	WLAN 5.8GHz	802.11a 6Mbps	Back	10	165	5825	14.94	15.5	1.138	87.04	1.149	0.06	0.024	<b>0.031</b>



**14.3 Body Worn Accessory SAR**

**<GSM SAR>**

Plot No.	Band	Mode	Test Position	Gap (mm)	Ch.	Freq. (MHz)	Average Power (dBm)	Tune-Up Limit (dBm)	Tune-up Scaling Factor	Power Drift (dB)	Measured 1g SAR (W/kg)	Reported 1g SAR (W/kg)
11	GSM850	GPRS 2 Tx slots	Back	10	128	824.2	30.41	31	1.146	0.07	0.633	<b>0.725</b>
12	GSM1900	GPRS 2 Tx slots	Front	10	810	1909.8	28.13	29.5	1.371	0.06	0.528	<b>0.724</b>

**<WCDMA SAR>**

Plot No.	Band	Mode	Test Position	Gap (mm)	Ch.	Freq. (MHz)	Average Power (dBm)	Tune-Up Limit (dBm)	Tune-up Scaling Factor	Power Drift (dB)	Measured 1g SAR (W/kg)	Reported 1g SAR (W/kg)
13	WCDMA Band V	RMC 12.2Kbps	Back	10	4132	826.4	23.02	24.00	1.253	0.07	0.500	<b>0.627</b>
14	WCDMA Band II	RMC 12.2Kbps	Back	10	9262	1852.4	22.92	23.5	1.143	0.02	0.938	<b>1.072</b>
	WCDMA Band II	RMC 12.2Kbps	Back	10	9400	1880	22.84	23.5	1.164	-0.03	0.891	1.037
	WCDMA Band II	RMC 12.2Kbps	Back	10	9538	1907.6	22.62	23.5	1.225	0.06	0.825	1.010

**<LTE SAR>**

Plot No.	Band	BW (MHz)	Modulation	RB Size	RB offset	Test Position	Gap (mm)	Ch.	Freq. (MHz)	Average Power (dBm)	Tune-Up Limit (dBm)	Tune-up Scaling Factor	Power Drift (dB)	Measured 1g SAR (W/kg)	Reported 1g SAR (W/kg)
15	LTE Band 5	10M	QPSK	1RB	25Offset	Back	10	20525	836.5	22.67	24.00	1.358	0.07	0.516	<b>0.701</b>

Plot No.	Band	BW (MHz)	Modulation	RB Size	RB offset	Test Position	Gap (mm)	Ch.	Freq. (MHz)	Average Power (dBm)	Tune-Up Limit (dBm)	Tune-up Scaling Factor	Power Drift (dB)	Measured 1g SAR (W/kg)	Reported 1g SAR (W/kg)
20	LTE Band 7	20M	QPSK	1RB	49Offset	Front	10	21100	2535	23.73	24	1.064	-0.03	0.819	<b>0.872</b>
	LTE Band 7	20M	QPSK	1RB	49Offset	Front	10	20850	2510	23.67	24	1.079	0.04	0.735	0.793
	LTE Band 7	20M	QPSK	1RB	49Offset	Front	10	21350	2560	23.3	24	1.175	-0.03	0.730	0.858



<WLAN SAR>

Plot No.	Band	Mode	Test Position	Gap (mm)	Ch.	Freq. (MHz)	Average Power (dBm)	Tune-Up Limit (dBm)	Tune-up Scaling Factor	Duty Cycle %	Duty Cycle Scaling Factor	Power Drift (dB)	Measured 1g SAR (W/kg)	Reported 1g SAR (W/kg)
17	WLAN 2.4GHz	802.11b 1Mbps	Back	10	6	2437	17.53	18	1.114	97.94	1.021	0.04	0.033	<b>0.038</b>

Plot No.	Band	Mode	Test Position	Gap (mm)	Ch.	Freq. (MHz)	Average Power (dBm)	Tune-Up Limit (dBm)	Tune-up Scaling Factor	Duty Cycle %	Duty Cycle Scaling Factor	Power Drift (dB)	Measured 1g SAR (W/kg)	Reported 1g SAR (W/kg)
21	WLAN 5.3GHz	802.11a 6Mbps	Back	10	64	5320	12.78	13.5	1.180	87.04	1.149	0.06	0.026	<b>0.035</b>
22	WLAN 5.5GHz	802.11a 6Mbps	Back	10	116	5580	10.85	11.5	1.161	87.66	1.141	0.04	0.123	<b>0.163</b>
19	WLAN 5.8GHz	802.11a 6Mbps	Back	10	165	5825	14.94	15.5	1.138	87.04	1.149	0.06	0.024	<b>0.031</b>

<Bluetooth SAR>

Plot No.	Band	Mode	Test Position	Gap (mm)	Ch.	Freq. (MHz)	Average Power (dBm)	Tune-Up Limit (dBm)	Tune-up Scaling Factor	Duty Cycle %	Duty Cycle Scaling Factor	Power Drift (dB)	Measured 1g SAR (W/kg)	Reported 1g SAR (W/kg)
23	Bluetooth	1Mbps	Back	10	39	2441	11.89	12.5	1.152	77	1.082	0.05	0.044	<b>0.055</b>



**14.4 Repeated SAR Measurement**

No.	Band	BW (MHz)	RB Size	RB offset	Mode	Test Position	Gap (mm)	Power Reduction	Ch.	Freq. (MHz)	Average Power (dBm)	Tune-Up Limit (dBm)	Tune-up Scaling Factor	Power Drift (dB)	Measured 1g SAR (W/kg)	Ratio	Reported 1g SAR (W/kg)
1st	WCDMA Band II	-	-	-	RMC 12.2Kbps	Back	10	-	9262	1852.4	22.92	23.5	1.143	0.02	0.938	1	1.072
2nd	WCDMA Band II	-	-	-	RMC 12.2Kbps	Back	10	-	9262	1852.4	22.92	23.5	1.143	0.04	0.912	1.029	1.042
1st	LTE Band 7	20M	1RB	49Offset	QPSK	Bottom Side	10	Hotspot On	21350	2560	22.76	23	1.057	0.08	0.926	1	0.979
2nd	LTE Band 7	20M	1RB	49Offset	QPSK	Bottom Side	10	Hotspot On	21350	2560	22.76	23	1.057	-0.06	0.920	1.007	0.972

**General Note:**

1. Per KDB 865664 D01v01r04, for each frequency band, repeated SAR measurement is required only when the measured SAR is  $\geq 0.8W/kg$ .
2. Per KDB 865664 D01v01r04, if the ratio among the repeated measurement is  $\leq 1.2$  and the measured SAR  $< 1.45W/kg$ , only one repeated measurement is required.
3. The ratio is the difference in percentage between original and repeated *measured SAR*.
4. All measurement SAR result is scaled-up to account for tune-up tolerance and is compliant.



**15. Simultaneous Transmission Analysis**

NO.	Simultaneous Transmission Configurations	Portable Handset			Note
		Head	Body-worn	Hotspot	
1.	GSM Voice + WLAN2.4GHz	Yes	Yes		
2.	GPRS/EDGE + WLAN2.4GHz	Yes	Yes	Yes	Hotspot
3.	WCDMA + WLAN2.4GHz	Yes	Yes	Yes	Hotspot
4.	LTE + WLAN2.4GHz	Yes	Yes	Yes	Hotspot
5.	GSM Voice + Bluetooth		Yes		
6.	GPRS/EDGE + Bluetooth		Yes		WWAN VoIP
7.	WCDMA+ Bluetooth		Yes		WWAN VoIP
8.	LTE + Bluetooth		Yes		WWAN VoIP
9.	GSM Voice + WLAN5.3/5.5GHz	Yes	Yes		
10.	GPRS/EDGE + WLAN5.3/5.5GHz	Yes	Yes		WWAN VoIP
11.	WCDMA + WLAN5.3/5.5GHz	Yes	Yes		WWAN VoIP
12.	LTE + WLAN5.3/5.5GHz	Yes	Yes		WWAN VoIP
13.	GSM Voice + WLAN5.2/5.8GHz	Yes	Yes		
14.	GPRS/EDGE + WLAN5.2/5.8GHz	Yes	Yes	Yes	WWAN VoIP
15.	WCDMA + WLAN5.2/5.8GHz	Yes	Yes	Yes	WWAN VoIP
16.	LTE + WLAN5.2/5.8GHz	Yes	Yes	Yes	WWAN VoIP
17.	GSM Voice + WLAN5GHz+Bluetooth		Yes		
18.	GPRS/EDGE + WLAN5GHz+Bluetooth		Yes		WWAN VoIP
19.	WCDMA + WLAN5GHz+Bluetooth		Yes		WWAN VoIP
20.	LTE + WLAN5GHz+Bluetooth		Yes		WWAN VoIP

**General Note:**

- This device supported VoIP in GPRS, EGPRS, WCDMA (e.g. 3rd party VoIP) and LTE support VOLTE.
- For simultaneously transmission SAR analysis, SAR values only considered the worst position which we did perform SAR testing on FA6D1305, other test results were leverage from the parent model which referred to the test report number FA693004-05.
- This device 2.4GHz WLAN/ 5.2GHz WLAN/5.8GHz WLAN support hotspot operation, and 5.2GHz WLAN/5.8GHz WLAN supports WiFi Direct (GC/GO), and 5.3GHz / 5.5GHz supports WiFi Direct (GC only).
- EUT will choose either WLAN 2.4GHz or WLAN 5GHz according to the network signal condition; therefore, 2.4GHz WLAN and 5GHz WLAN will not operate simultaneously at any moment though they have independent antenna.
- WLAN 2.4GHz and Bluetooth share the same antenna, but can't transmit simultaneously.
- According to EUT character, BT can transmit with WLAN 5GHz together for their independent antenna.
- EUT will choose each GSM, WCDMA and LTE according to the network signal condition; therefore, they will not operate simultaneously at any moment.
- The Scaled SAR summation is calculated based on the same configuration and test position.
- Per KDB 447498 D01v06, simultaneous transmission SAR is compliant if,
  - Scalar SAR summation < 1.6W/kg.
  - $SPLSR = (SAR1 + SAR2)^{1.5} / (\min. \text{ separation distance, mm})$ , and the peak separation distance is determined from the square root of  $[(x1-x2)^2 + (y1-y2)^2 + (z1-z2)^2]$ , where (x1, y1, z1) and (x2, y2, z2) are the coordinates of the extrapolated peak SAR locations in the zoom scan.
  - If  $SPLSR \leq 0.04$ , simultaneously transmission SAR measurement is not necessary.
  - Simultaneously transmission SAR measurement, and the reported multi-band SAR < 1.6W/kg.



**15.1 Head Exposure Conditions**

WWAN Band		Exposure Position	1	2	3	1+2 Summed 1g SAR (W/kg)	1+3 Summed 1g SAR (W/kg)	SPLSR	Case No
			WWAN	2.4GHz WLAN	5GHz WLAN				
			1g SAR (W/kg)	1g SAR (W/kg)	1g SAR (W/kg)				
GSM	GSM850	Right Cheek	0.410	0.609	0.726	1.02	1.14		
		Right Tilted	0.286	0.609	0.286	0.90	0.57		
		Left Cheek	0.383	0.190	0.832	0.57	1.22		
	GSM1900	Right Tilted	0.152	0.609	0.286	0.76	0.44		
		Left Cheek	0.524	0.190	0.832	0.71	1.36		
WCDMA	Band V	Right Tilted	0.257	0.609	0.286	0.87	0.54		
		Left Cheek	0.308	0.190	0.832	0.50	1.14		
	Band II	Right Tilted	0.182	0.609	0.286	0.79	0.47		
		Left Cheek	0.689	0.190	0.832	0.88	1.52		
LTE	Band 5	Right Cheek	0.398	0.609	0.726	1.01	1.12		
		Right Tilted	0.330	0.609	0.286	0.94	0.62		
		Left Cheek	0.424	0.190	0.832	0.61	1.26		
	Band 7	Right Tilted	0.196	0.609	0.286	0.81	0.48		
		Left Cheek	0.794	0.190	0.832	0.98	1.63	0.03	01



**15.2 Hotspot Exposure Conditions**

WWAN Band		Exposure Position	1	2	3	1+2 Summed 1g SAR (W/kg)	1+3 Summed 1g SAR (W/kg)	SPLSR	Case No
			WWAN	2.4GHz WLAN	5GHz WLAN				
			1g SAR (W/kg)	1g SAR (W/kg)	1g SAR (W/kg)				
GSM	GSM850	Back	0.725	0.038	0.031	0.76	0.76		
		Top side		0.094	0.170	0.09	0.17		
	GSM1900	Front	0.724	0.094	0.198	0.82	0.92		
		Back	0.795	0.038	0.031	0.83	0.83		
		Top side		0.094	0.170	0.09	0.17		
WCDMA	Band V	Back	0.627	0.038	0.031	0.67	0.66		
		Top side		0.094	0.170	0.09	0.17		
	Band II	Back	1.072	0.038	0.031	1.11	1.10		
		Top side		0.094	0.170	0.09	0.17		
LTE	Band 5	Back	0.701	0.038	0.031	0.74	0.73		
		Top side		0.094	0.170	0.09	0.17		
	Band 7	Back	0.979	0.038	0.031	1.02	1.01		
		Top side		0.094	0.170	0.09	0.17		
		Bottom side	1.006			1.01	1.01		



**15.3 Body-Worn Accessory Exposure Conditions**

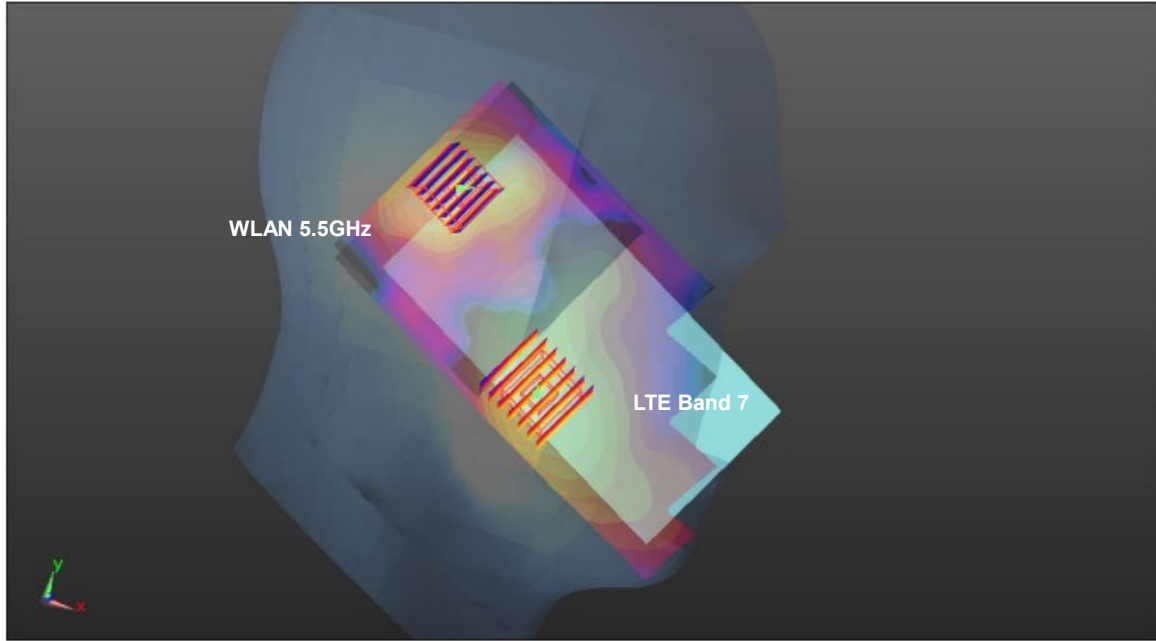
WWAN Band		Exposure Position	1	2	3	4	1+2 Summed 1g SAR (W/kg)	1+3 Summed 1g SAR (W/kg)	1+4 Summed 1g SAR (W/kg)	1+3+4 Summed 1g SAR (W/kg)	SPLSR	Case No
			WWAN	2.4GHz WLAN	5GHz WLAN	Bluetooth						
			1g SAR (W/kg)	1g SAR (W/kg)	1g SAR (W/kg)	Bluetooth 1g SAR (W/kg)						
GSM	GSM850	Back	0.725	0.038	0.163	0.055	0.76	0.89	0.78	0.94		
	GSM1900	Front	0.724	0.094	0.184	0.029	0.82	0.91	0.75	0.94		
		Back	0.795	0.038	0.163	0.055	0.83	0.96	0.85	1.01		
WCDMA	Band V	Back	0.627	0.038	0.163	0.055	0.67	0.79	0.68	0.85		
	Band II	Back	1.072	0.038	0.163	0.055	1.11	1.24	1.13	1.29		
LTE	Band 5	Back	0.701	0.038	0.163	0.055	0.74	0.86	0.76	0.92		
	Band 7	Back	0.872	0.038	0.163	0.055	0.91	1.04	0.93	1.09		

**15.4 SPLSR Evaluation and Analysis**

**General Note:**

SPLSR =  $(SAR_1 + SAR_2)^{1.5} / (min. \text{ separation distance, mm})$ . If  $SPLSR \leq 0.04$ , simultaneously transmission SAR measurement is not necessary.

Case 01	Band	Position	SAR (W/kg)	Gap (mm)	SAR peak location (m)			3D distance (mm)	Summed SAR (W/kg)	SPLSR Results	Simultaneous SAR
					X	Y	Z				
	LTE Band 7	Left Cheek	0.794	0	0.0121	0.318	-0.171	82.5	1.63	0.03	Not required
	WLAN5.5GHz		0.832	0	0.0602	0.251	-0.174				



**Test Engineer :** Luke Lu

## **16. Uncertainty Assessment**

The component of uncertainty may generally be categorized according to the methods used to evaluate them. The evaluation of uncertainty by the statistical analysis of a series of observations is termed a Type A evaluation of uncertainty. The evaluation of uncertainty by means other than the statistical analysis of a series of observation is termed a Type B evaluation of uncertainty. Each component of uncertainty, however evaluated, is represented by an estimated standard deviation, termed standard uncertainty, which is determined by the positive square root of the estimated variance.

A Type A evaluation of standard uncertainty may be based on any valid statistical method for treating data. This includes calculating the standard deviation of the mean of a series of independent observations; using the method of least squares to fit a curve to the data in order to estimate the parameter of the curve and their standard deviations; or carrying out an analysis of variance in order to identify and quantify random effects in certain kinds of measurement.

A type B evaluation of standard uncertainty is typically based on scientific judgment using all of the relevant information available. These may include previous measurement data, experience, and knowledge of the behavior and properties of relevant materials and instruments, manufacture’s specification, data provided in calibration reports and uncertainties assigned to reference data taken from handbooks. Broadly speaking, the uncertainty is either obtained from an outdoor source or obtained from an assumed distribution, such as the normal distribution, rectangular or triangular distributions indicated in table below.

<b>Uncertainty Distributions</b>	<b>Normal</b>	<b>Rectangular</b>	<b>Triangular</b>	<b>U-Shape</b>
Multi-plying Factor <sup>(a)</sup>	1/k <sup>(b)</sup>	1/√3	1/√6	1/√2

(a) standard uncertainty is determined as the product of the multiplying factor and the estimated range of variations in the measured quantity

(b)  $\kappa$  is the coverage factor

**Table 16.1. Standard Uncertainty for Assumed Distribution**

The combined standard uncertainty of the measurement result represents the estimated standard deviation of the result. It is obtained by combining the individual standard uncertainties of both Type A and Type B evaluation using the usual “root-sum-squares” (RSS) methods of combining standard deviations by taking the positive square root of the estimated variances.

Expanded uncertainty is a measure of uncertainty that defines an interval about the measurement result within which the measured value is confidently believed to lie. It is obtained by multiplying the combined standard uncertainty by a coverage factor. Typically, the coverage factor ranges from 2 to 3. Using a coverage factor allows the true value of a measured quantity to be specified with a defined probability within the specified uncertainty range. For purpose of this document, a coverage factor two is used, which corresponds to confidence interval of about 95 %. The DASY uncertainty Budget is shown in the following tables.

Error Description	Uncertainty Value (±%)	Probability	Divisor	(Ci) 1g	(Ci) 10g	Standard Uncertainty (1g) (±%)	Standard Uncertainty (10g) (±%)
<b>Measurement System</b>							
Probe Calibration	6.0	N	1	1	1	6.0	6.0
Axial Isotropy	4.7	R	1.732	0.7	0.7	1.9	1.9
Hemispherical Isotropy	9.6	R	1.732	0.7	0.7	3.9	3.9
Boundary Effects	1.0	R	1.732	1	1	0.6	0.6
Linearity	4.7	R	1.732	1	1	2.7	2.7
System Detection Limits	1.0	R	1.732	1	1	0.6	0.6
Modulation Response	3.2	R	1.732	1	1	1.8	1.8
Readout Electronics	0.3	N	1	1	1	0.3	0.3
Response Time	0.0	R	1.732	1	1	0.0	0.0
Integration Time	2.6	R	1.732	1	1	1.5	1.5
RF Ambient Noise	3.0	R	1.732	1	1	1.7	1.7
RF Ambient Reflections	3.0	R	1.732	1	1	1.7	1.7
Probe Positioner	0.4	R	1.732	1	1	0.2	0.2
Probe Positioning	2.9	R	1.732	1	1	1.7	1.7
Max. SAR Eval.	2.0	R	1.732	1	1	1.2	1.2
<b>Test Sample Related</b>							
Device Positioning	3.0	N	1	1	1	3.0	3.0
Device Holder	3.6	N	1	1	1	3.6	3.6
Power Drift	5.0	R	1.732	1	1	2.9	2.9
Power Scaling	0.0	R	1.732	1	1	0.0	0.0
<b>Phantom and Setup</b>							
Phantom Uncertainty	6.1	R	1.732	1	1	3.5	3.5
SAR correction	0.0	R	1.732	1	0.84	0.0	0.0
Liquid Conductivity Repeatability	0.2	N	1	0.78	0.71	0.1	0.1
Liquid Conductivity (target)	5.0	R	1.732	0.78	0.71	2.3	2.0
Liquid Conductivity (mea.)	2.5	R	1.732	0.78	0.71	1.1	1.0
Temp. unc. - Conductivity	3.4	R	1.732	0.78	0.71	1.5	1.4
Liquid Permittivity Repeatability	0.15	N	1	0.23	0.26	0.0	0.0
Liquid Permittivity (target)	5.0	R	1.732	0.23	0.26	0.7	0.8
Liquid Permittivity (mea.)	2.5	R	1.732	0.23	0.26	0.3	0.4
Temp. unc. - Permittivity	0.83	R	1.732	0.23	0.26	0.1	0.1
<b>Combined Std. Uncertainty</b>						11.4%	11.4%
<b>Coverage Factor for 95 %</b>						K=2	K=2
<b>Expanded STD Uncertainty</b>						22.9%	22.7%

**Table 16.2. Uncertainty Budget for frequency range 300 MHz to 3 GHz**



Error Description	Uncertainty Value (±%)	Probability	Divisor	(Ci) 1g	(Ci) 10g	Standard Uncertainty (1g) (±%)	Standard Uncertainty (10g) (±%)
<b>Measurement System</b>							
Probe Calibration	6.55	N	1	1	1	6.6	6.6
Axial Isotropy	4.7	R	1.732	0.7	0.7	1.9	1.9
Hemispherical Isotropy	9.6	R	1.732	0.7	0.7	3.9	3.9
Boundary Effects	2.0	R	1.732	1	1	1.2	1.2
Linearity	4.7	R	1.732	1	1	2.7	2.7
System Detection Limits	1.0	R	1.732	1	1	0.6	0.6
Modulation Response	3.2	R	1.732	1	1	1.8	1.8
Readout Electronics	0.3	N	1	1	1	0.3	0.3
Response Time	0.0	R	1.732	1	1	0.0	0.0
Integration Time	2.6	R	1.732	1	1	1.5	1.5
RF Ambient Noise	3.0	R	1.732	1	1	1.7	1.7
RF Ambient Reflections	3.0	R	1.732	1	1	1.7	1.7
Probe Positioner	0.4	R	1.732	1	1	0.2	0.2
Probe Positioning	6.7	R	1.732	1	1	3.9	3.9
Max. SAR Eval.	4.0	R	1.732	1	1	2.3	2.3
<b>Test Sample Related</b>							
Device Positioning	3.0	N	1	1	1	3.0	3.0
Device Holder	3.6	N	1	1	1	3.6	3.6
Power Drift	5.0	R	1.732	1	1	2.9	2.9
Power Scaling	0.0	R	1.732	1	1	0.0	0.0
<b>Phantom and Setup</b>							
Phantom Uncertainty	6.6	R	1.732	1	1	3.8	3.8
SAR correction	0.0	R	1.732	1	0.84	0.0	0.0
Liquid Conductivity Repeatability	0.2	N	1	0.78	0.71	0.1	0.1
Liquid Conductivity (target)	5.0	R	1.732	0.78	0.71	2.3	2.0
Liquid Conductivity (mea.)	2.5	R	1.732	0.78	0.71	1.1	1.0
Temp. unc. - Conductivity	3.4	R	1.732	0.78	0.71	1.5	1.4
Liquid Permittivity Repeatability	0.15	N	1	0.23	0.26	0.0	0.0
Liquid Permittivity (target)	5.0	R	1.732	0.23	0.26	0.7	0.8
Liquid Permittivity (mea.)	2.5	R	1.732	0.23	0.26	0.3	0.4
Temp. unc. - Permittivity	0.83	R	1.732	0.23	0.26	0.1	0.1
<b>Combined Std. Uncertainty</b>						12.5%	12.5%
<b>Coverage Factor for 95 %</b>						K=2	K=2
<b>Expanded STD Uncertainty</b>						25.1%	25.0%

**Table 16.3. Uncertainty Budget for frequency range 3 GHz to 6 GHz**



## **17. References**

- [1] FCC 47 CFR Part 2 "Frequency Allocations and Radio Treaty Matters; General Rules and Regulations"
- [2] ANSI/IEEE Std. C95.1-1992, "IEEE Standard for Safety Levels with Respect to Human Exposure to Radio Frequency Electromagnetic Fields, 3 kHz to 300 GHz", September 1992
- [3] IEEE Std. 1528-2013, "IEEE Recommended Practice for Determining the Peak Spatial-Average Specific Absorption Rate (SAR) in the Human Head from Wireless Communications Devices: Measurement Techniques", Sep 2013
- [4] SPEAG DASY System Handbook
- [5] FCC KDB 248227 D01 v02r02, "SAR Guidance for IEEE 802.11 (WiFi) Transmitters", Oct 2015.
- [6] FCC KDB 447498 D01 v06, "Mobile and Portable Device RF Exposure Procedures and Equipment Authorization Policies", Oct 2015
- [7] FCC KDB 648474 D04 v01r03, "SAR Evaluation Considerations for Wireless Handsets", Oct 2015.
- [8] FCC KDB 941225 D01 v03r01, "3G SAR MEAUREMENT PROCEDURES", Oct 2015
- [9] FCC KDB 941225 D05 v02r05, "SAR Evaluation Considerations for LTE Devices", Dec 2015
- [10] FCC KDB 941225 D06 v02r01, "SAR Evaluation Procedures for Portable Devices with Wireless Router Capabilities", Oct 2015.
- [11] FCC KDB 865664 D01 v01r04, "SAR Measurement Requirements for 100 MHz to 6 GHz", Aug 2015.
- [12] FCC KDB 865664 D02 v01r02, "RF Exposure Compliance Reporting and Documentation Considerations" Oct 2015.



## **Appendix A. Plots of System Performance Check**

The plots are shown as follows.

## System Check\_Head\_835MHz\_161219

**DUT: D835V2-SN:4d092**

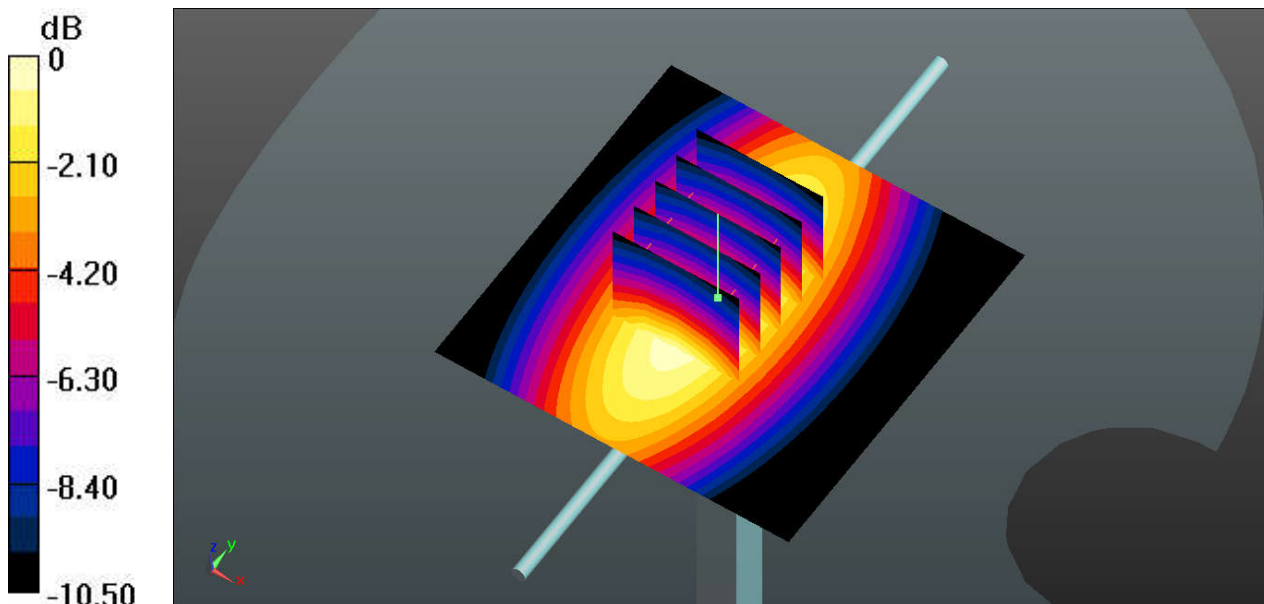
Communication System: UID 0, CW; Frequency: 835 MHz; Duty Cycle: 1:1  
Medium: HSL\_835\_161219 Medium parameters used:  $f = 835$  MHz;  $\sigma = 0.929$  S/m;  $\epsilon_r = 41.793$ ;  $\rho = 1000$  kg/m<sup>3</sup>  
Ambient Temperature : 23.3 °C; Liquid Temperature : 22.6 °C

DASY5 Configuration:

- Probe: EX3DV4 - SN3911; ConvF(10.54, 10.54, 10.54); Calibrated: 2016.09.29;
- Sensor-Surface: 2mm (Mechanical Surface Detection)
- Electronics: DAE4 Sn905; Calibrated: 2016.06.22
- Phantom: SAM (Front) with CRP v5.0; Type: QD000P40CD; Serial: TP:1795
- Measurement SW: DASY52, Version 52.8 (8); SEMCAD X Version 14.6.10 (7331)

**Pin=250mW/Area Scan (61x61x1):** Interpolated grid: dx=15mm, dy=15mm  
Maximum value of SAR (interpolated) = 3.20 W/kg

**Pin=250mW/Zoom Scan (5x5x7)/Cube 0:** Measurement grid: dx=8mm, dy=8mm, dz=5mm  
Reference Value = 60.14 V/m; Power Drift = -0.01 dB  
Peak SAR (extrapolated) = 3.56 W/kg  
**SAR(1 g) = 2.44 W/kg; SAR(10 g) = 1.61 W/kg**  
Maximum value of SAR (measured) = 3.08 W/kg



0 dB = 3.20 W/kg

## System Check\_Head\_1900MHz\_161218

### DUT: D1900V2-SN:5d018

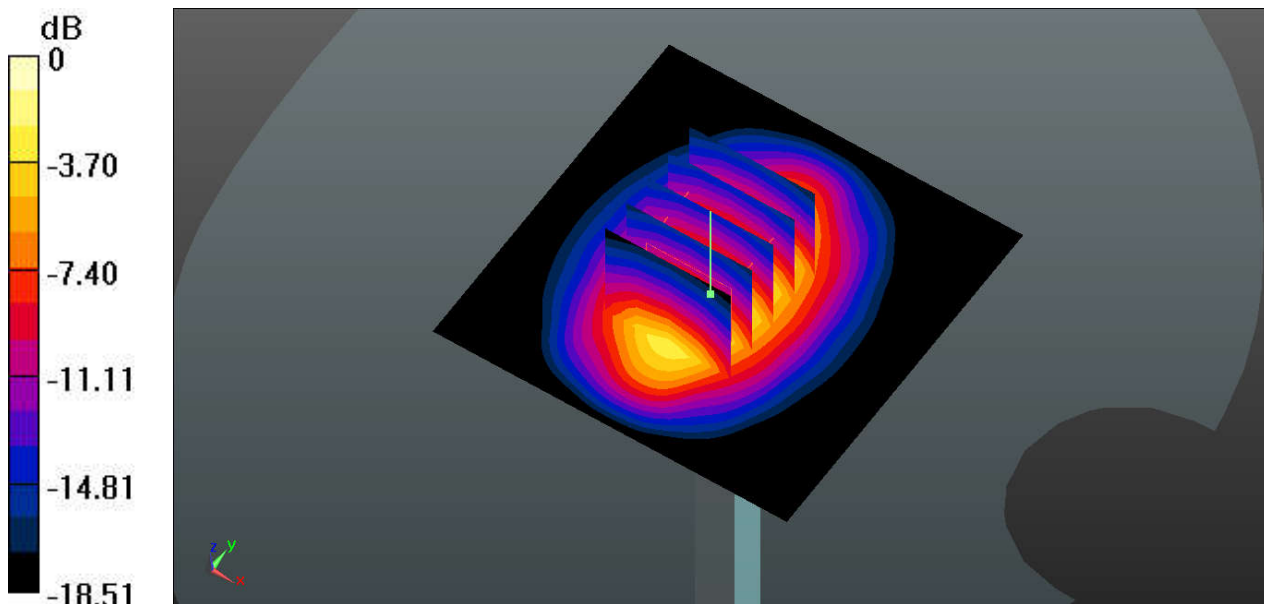
Communication System: UID 0, CW; Frequency: 1900 MHz; Duty Cycle: 1:1  
Medium: HSL\_1900\_161218 Medium parameters used:  $f = 1900$  MHz;  $\sigma = 1.455$  S/m;  $\epsilon_r = 40.068$ ;  
 $\rho = 1000$  kg/m<sup>3</sup>  
Ambient Temperature : 23.4 °C; Liquid Temperature : 22.5 °C

#### DASY5 Configuration:

- Probe: EX3DV4 - SN3911; ConvF(8.5, 8.5, 8.5); Calibrated: 2016.09.29;
- Sensor-Surface: 2mm (Mechanical Surface Detection)
- Electronics: DAE4 Sn905; Calibrated: 2016.06.22
- Phantom: SAM (Front) with CRP v5.0; Type: QD000P40CD; Serial: TP:1795
- Measurement SW: DASY52, Version 52.8 (8); SEMCAD X Version 14.6.10 (7331)

**Pin=250mW/Area Scan (61x61x1):** Interpolated grid: dx=15mm, dy=15mm  
Maximum value of SAR (interpolated) = 14.4 W/kg

**Pin=250mW/Zoom Scan (5x5x7)/Cube 0:** Measurement grid: dx=8mm, dy=8mm, dz=5mm  
Reference Value = 99.99 V/m; Power Drift = 0.02 dB  
Peak SAR (extrapolated) = 18.2 W/kg  
**SAR(1 g) = 9.89 W/kg; SAR(10 g) = 5.13 W/kg**  
Maximum value of SAR (measured) = 14.1 W/kg



0 dB = 14.4 W/kg

## System Check\_Head\_2450MHz\_161218

### DUT: D2450V2-SN:924

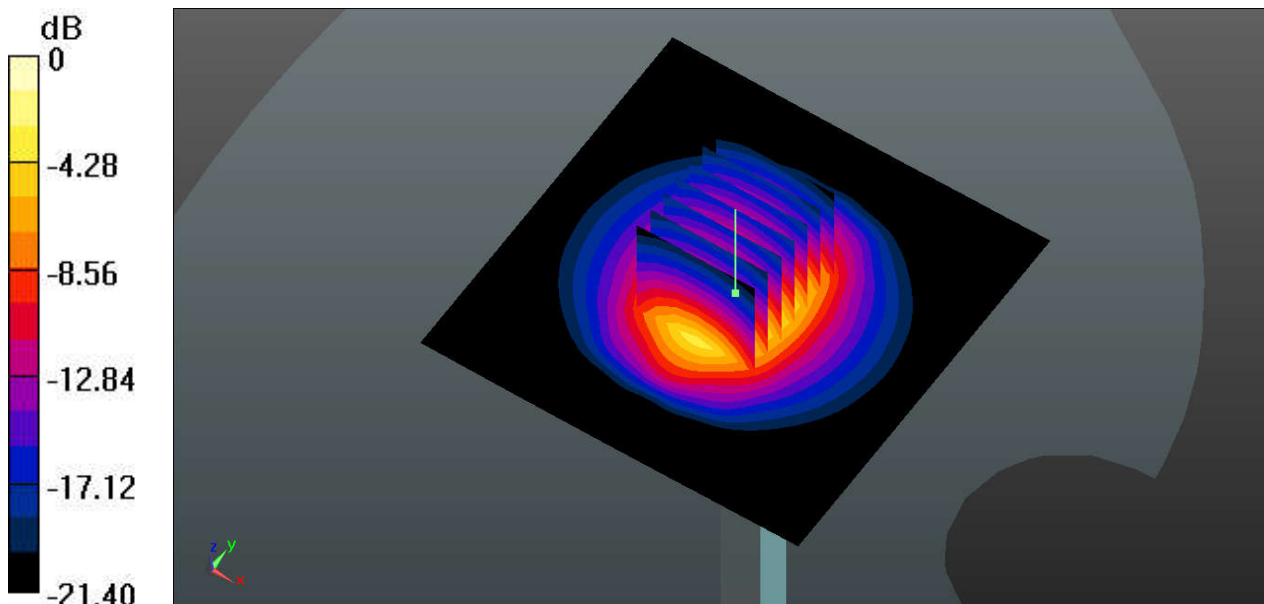
Communication System: UID 0, CW; Frequency: 2450 MHz; Duty Cycle: 1:1  
Medium: HSL\_2450\_161218 Medium parameters used:  $f = 2450$  MHz;  $\sigma = 1.829$  S/m;  $\epsilon_r = 40.081$ ;  
 $\rho = 1000$  kg/m<sup>3</sup>  
Ambient Temperature : 23.4 °C; Liquid Temperature : 22.6 °C

### DASY5 Configuration:

- Probe: EX3DV4 - SN3911; ConvF(7.43, 7.43, 7.43); Calibrated: 2016.09.29;
- Sensor-Surface: 2mm (Mechanical Surface Detection)
- Electronics: DAE4 Sn905; Calibrated: 2016.06.22
- Phantom: SAM (Front) with CRP v5.0; Type: QD000P40CD; Serial: TP:1795
- Measurement SW: DASY52, Version 52.8 (8); SEMCAD X Version 14.6.10 (7331)

**Pin=250mW/Area Scan (81x81x1):** Interpolated grid: dx=12mm, dy=12mm  
Maximum value of SAR (interpolated) = 18.9 W/kg

**Pin=250mW/Zoom Scan (7x7x7)/Cube 0:** Measurement grid: dx=5mm, dy=5mm, dz=5mm  
Reference Value = 88.41 V/m; Power Drift = 0.00 dB  
Peak SAR (extrapolated) = 25.2 W/kg  
**SAR(1 g) = 12.4 W/kg; SAR(10 g) = 5.71 W/kg**  
Maximum value of SAR (measured) = 18.9 W/kg



0 dB = 18.9 W/kg

## System Check\_Head\_2600MHz\_161218

### DUT: D2600V2-SN:1008

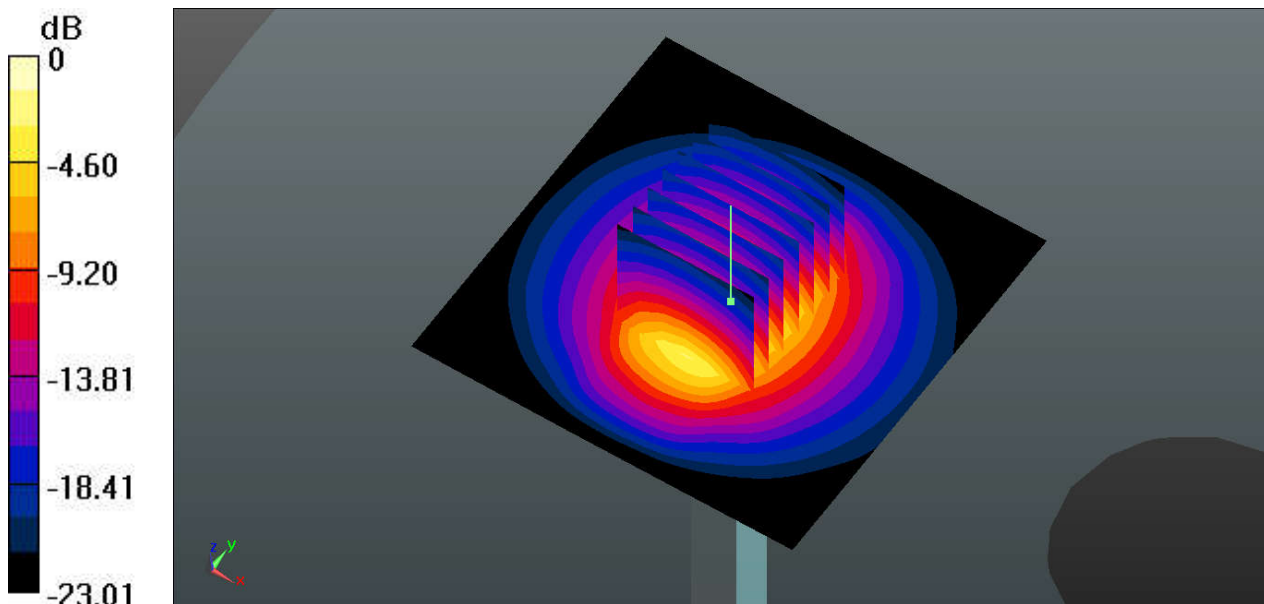
Communication System: UID 0, CW (0); Frequency: 2600 MHz; Duty Cycle: 1:1  
Medium: HSL\_2600\_161218 Medium parameters used:  $f = 2600$  MHz;  $\sigma = 2.05$  S/m;  $\epsilon_r = 38.344$ ;  $\rho = 1000$  kg/m<sup>3</sup>  
Ambient Temperature : 23.4 °C; Liquid Temperature : 22.7 °C

#### DASY5 Configuration:

- Probe: EX3DV4 - SN3911; ConvF(7.39, 7.39, 7.39); Calibrated: 2016.09.29;
- Sensor-Surface: 2mm (Mechanical Surface Detection)
- Electronics: DAE4 Sn905; Calibrated: 2016.06.22
- Phantom: SAM (Front) with CRP v5.0; Type: QD000P40CD; Serial: TP:1795
- Measurement SW: DASY52, Version 52.8 (8); SEMCAD X Version 14.6.10 (7331)

**Pin=250mW/Area Scan (71x71x1):** Interpolated grid: dx=12mm, dy=12mm  
Maximum value of SAR (interpolated) = 22.7 W/kg

**Pin=250mW/Zoom Scan (7x7x7)/Cube 0:** Measurement grid: dx=5mm, dy=5mm, dz=5mm  
Reference Value = 104.9 V/m; Power Drift = -0.17 dB  
Peak SAR (extrapolated) = 30.9 W/kg  
**SAR(1 g) = 14.6 W/kg; SAR(10 g) = 6.54 W/kg**  
Maximum value of SAR (measured) = 22.7 W/kg



0 dB = 22.7 W/kg

## System Check\_Head\_5250MHz\_161219

### DUT: D5GHzV2-SN:1167

Communication System: UID 0, CW (0); Frequency: 5250 MHz; Duty Cycle: 1:1  
 Medium: HSL\_5250\_161219 Medium parameters used:  $f = 5250$  MHz;  $\sigma = 4.595$  S/m;  $\epsilon_r = 36.652$ ;  
 $\rho = 1000$  kg/m<sup>3</sup>  
 Ambient Temperature : 23.2 °C; Liquid Temperature : 22.5 °C

#### DASY5 Configuration:

- Probe: EX3DV4 - SN3911; ConvF(5.25, 5.25, 5.25); Calibrated: 2016.09.29;
- Sensor-Surface: 1.4mm (Mechanical Surface Detection)
- Electronics: DAE4 Sn905; Calibrated: 2016.06.22
- Phantom: SAM (Front) with CRP v5.0; Type: QD000P40CD; Serial: TP:1795
- Measurement SW: DASY52, Version 52.8 (8); SEMCAD X Version 14.6.10 (7331)

**Pin=100mW/Area Scan (71x71x1):** Interpolated grid: dx=10mm, dy=10mm

Maximum value of SAR (interpolated) = 18.6 W/kg

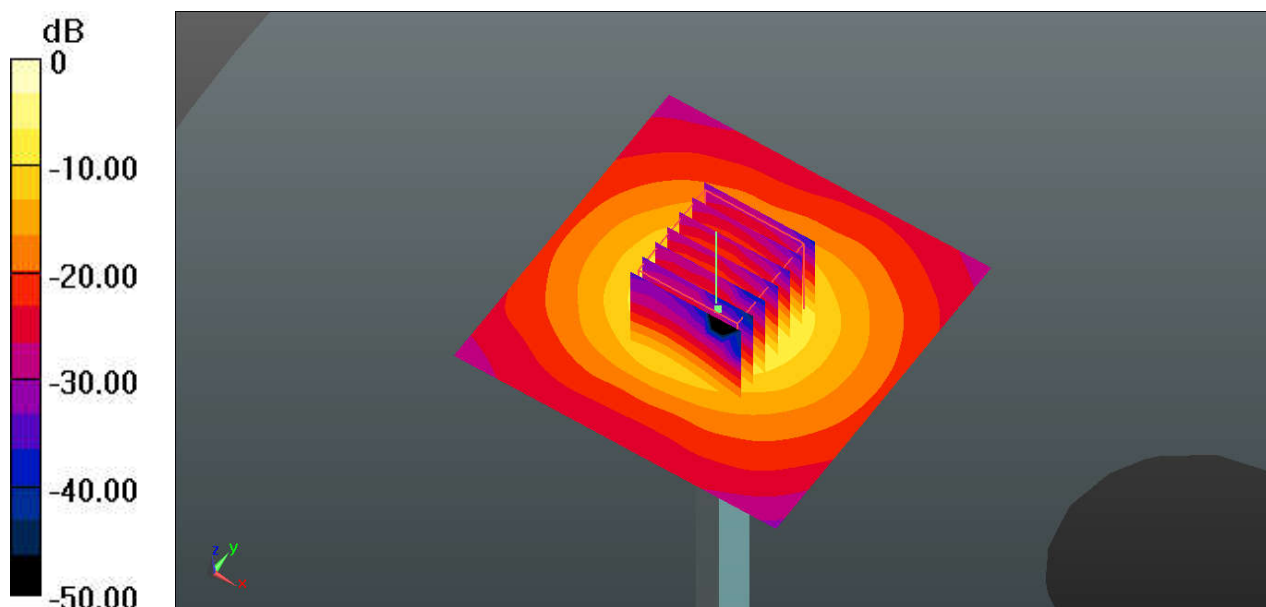
**Pin=100mW/Zoom Scan (7x7x7)/Cube 0:** Measurement grid: dx=4mm, dy=4mm, dz=1.4mm

Reference Value = 57.73 V/m; Power Drift = -0.08 dB

Peak SAR (extrapolated) = 29.9 W/kg

**SAR(1 g) = 7.39 W/kg; SAR(10 g) = 2.04 W/kg**

Maximum value of SAR (measured) = 17.9 W/kg



0 dB = 18.6 W/kg

## System Check\_Head\_5600MHz\_161219

### DUT: D5GHzV2-SN:1167

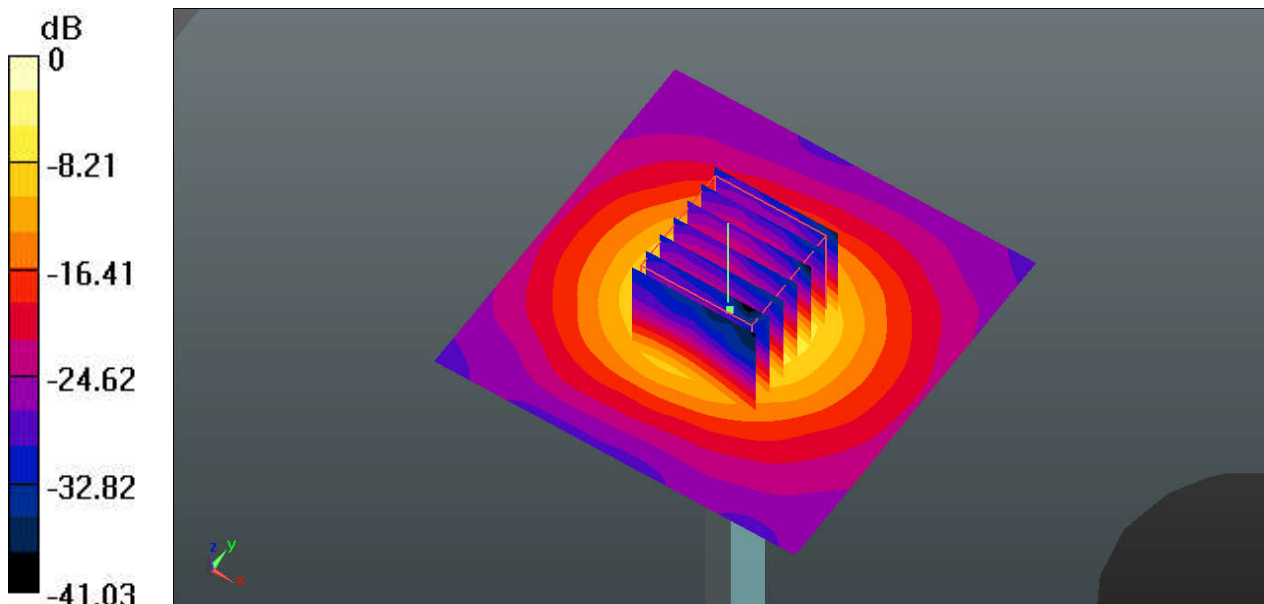
Communication System: UID 0, CW; Frequency: 5600 MHz; Duty Cycle: 1:1  
Medium: HSL\_5600\_161219 Medium parameters used:  $f = 5600$  MHz;  $\sigma = 5.002$  S/m;  $\epsilon_r = 36.115$ ;  
 $\rho = 1000$  kg/m<sup>3</sup>  
Ambient Temperature : 23.2 °C; Liquid Temperature : 22.6 °C

### DASY5 Configuration:

- Probe: EX3DV4 - SN3911; ConvF(4.49, 4.49, 4.49); Calibrated: 2016.09.29;
- Sensor-Surface: 1.4mm (Mechanical Surface Detection)
- Electronics: DAE4 Sn905; Calibrated: 2016.06.22
- Phantom: SAM (Front) with CRP v5.0; Type: QD000P40CD; Serial: TP:1795
- Measurement SW: DASY52, Version 52.8 (8); SEMCAD X Version 14.6.10 (7331)

**Pin=100mW/Area Scan (71x71x1):** Interpolated grid: dx=10mm, dy=10mm  
Maximum value of SAR (interpolated) = 20.1 W/kg

**Pin=100mW/Zoom Scan (7x7x7)/Cube 0:** Measurement grid: dx=4mm, dy=4mm, dz=1.4mm  
Reference Value = 73.37 V/m; Power Drift = 0.01 dB  
Peak SAR (extrapolated) = 33.0 W/kg  
**SAR(1 g) = 8.16 W/kg; SAR(10 g) = 2.27 W/kg**  
Maximum value of SAR (measured) = 20.2 W/kg



0 dB = 20.1 W/kg

## System Check\_Head\_5750MHz\_161219

### DUT: D5GHzV2-SN:1167

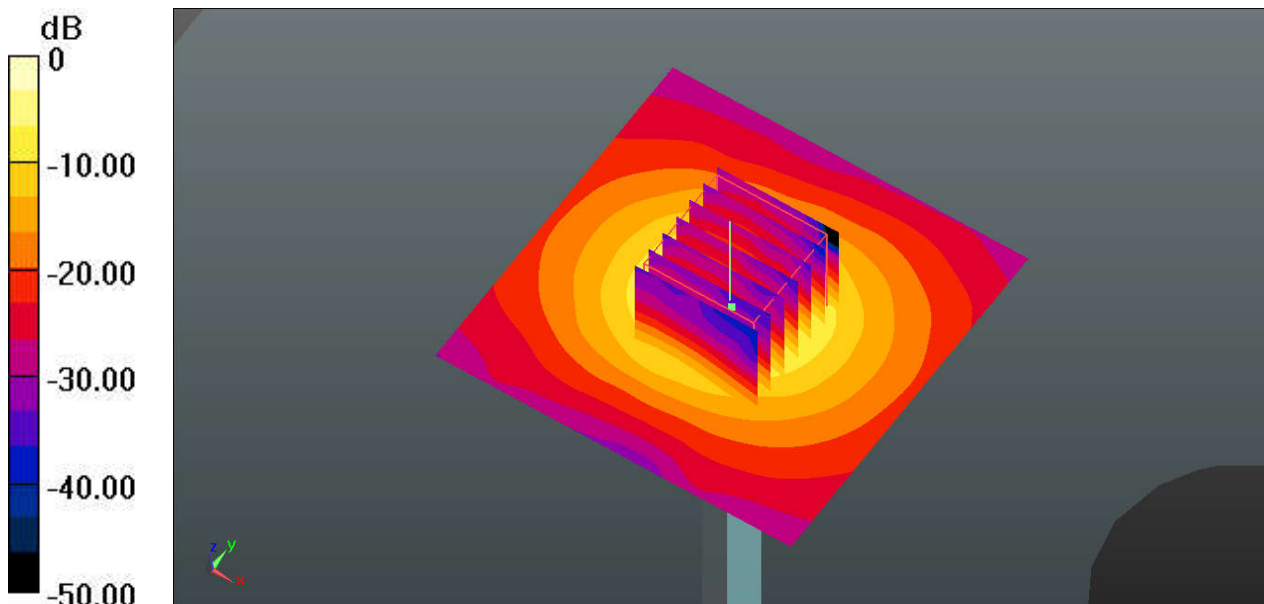
Communication System: UID 0, CW (0); Frequency: 5750 MHz; Duty Cycle: 1:1  
Medium: HSL\_5750\_161219 Medium parameters used:  $f = 5750$  MHz;  $\sigma = 5.17$  S/m;  $\epsilon_r = 35.843$ ;  $\rho = 1000$  kg/m<sup>3</sup>  
Ambient Temperature : 23.2 °C; Liquid Temperature : 22.7 °C

### DASY5 Configuration:

- Probe: EX3DV4 - SN3911; ConvF(4.75, 4.75, 4.75); Calibrated: 2016.09.29;
- Sensor-Surface: 1.4mm (Mechanical Surface Detection)
- Electronics: DAE4 Sn905; Calibrated: 2016.06.22
- Phantom: SAM (Front) with CRP v5.0; Type: QD000P40CD; Serial: TP:1795
- Measurement SW: DASY52, Version 52.8 (8); SEMCAD X Version 14.6.10 (7331)

**Pin=100mW/Area Scan (71x71x1):** Interpolated grid: dx=10mm, dy=10mm  
Maximum value of SAR (interpolated) = 18.1 W/kg

**Pin=100mW/Zoom Scan (7x7x7)/Cube 0:** Measurement grid: dx=4mm, dy=4mm, dz=1.4mm  
Reference Value = 54.62 V/m; Power Drift = 0.15 dB  
Peak SAR (extrapolated) = 31.0 W/kg  
**SAR(1 g) = 7.4 W/kg; SAR(10 g) = 2.05 W/kg**  
Maximum value of SAR (measured) = 18.9 W/kg



0 dB = 18.1 W/kg

## System Check\_Body\_835MHz\_161220

### DUT: D835V2-SN:4d092

Communication System: UID 0, CW; Frequency: 835 MHz; Duty Cycle: 1:1

Medium: MSL\_835\_161220 Medium parameters used:  $f = 835$  MHz;  $\sigma = 0.994$  S/m;  $\epsilon_r = 54.578$ ;  $\rho = 1000$  kg/m<sup>3</sup>

Ambient Temperature : 23.4 °C; Liquid Temperature : 22.5 °C

#### DASY5 Configuration:

- Probe: EX3DV4 - SN3911; ConvF(10.19, 10.19, 10.19); Calibrated: 2016.09.29;
- Sensor-Surface: 2mm (Mechanical Surface Detection)
- Electronics: DAE4 Sn905; Calibrated: 2016.06.22
- Phantom: SAM (Front) with CRP v5.0; Type: QD000P40CD; Serial: TP:1795
- Measurement SW: DASY52, Version 52.8 (8); SEMCAD X Version 14.6.10 (7331)

**Pin=250mW/Area Scan (61x61x1):** Interpolated grid: dx=15mm, dy=15mm

Maximum value of SAR (interpolated) = 3.05 W/kg

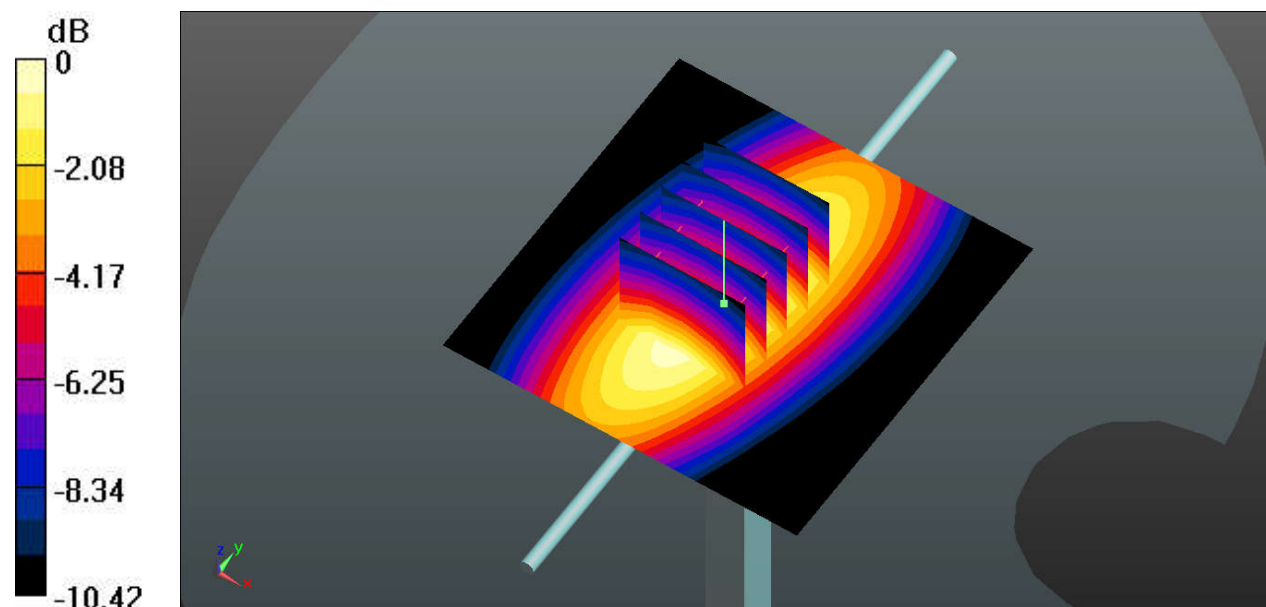
**Pin=250mW/Zoom Scan (5x5x7)/Cube 0:** Measurement grid: dx=8mm, dy=8mm, dz=5mm

Reference Value = 56.77 V/m; Power Drift = -0.01 dB

Peak SAR (extrapolated) = 3.51 W/kg

**SAR(1 g) = 2.42 W/kg; SAR(10 g) = 1.61 W/kg**

Maximum value of SAR (measured) = 3.03 W/kg



0 dB = 3.05 W/kg

## System Check\_Body\_1900MHz\_161220

### DUT: D1900V2-SN:5d018

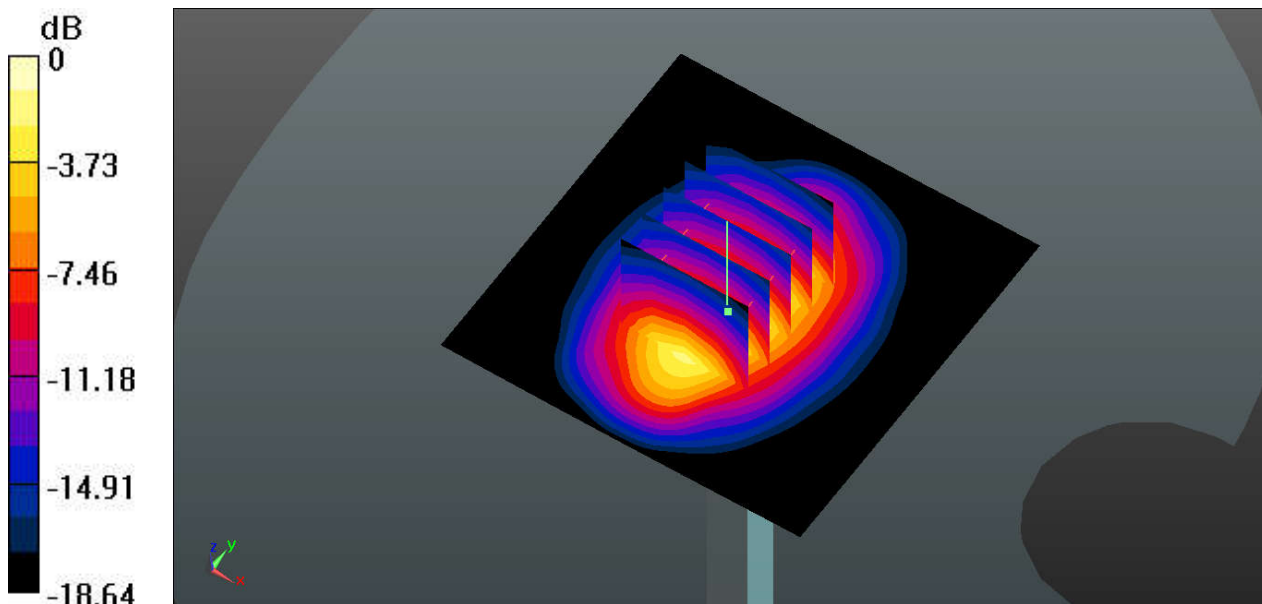
Communication System: UID 0, CW; Frequency: 1900 MHz; Duty Cycle: 1:1  
Medium: MSL\_1900\_161220 Medium parameters used:  $f = 1900$  MHz;  $\sigma = 1.532$  S/m;  $\epsilon_r = 52.397$ ;  
 $\rho = 1000$  kg/m<sup>3</sup>  
Ambient Temperature : 23.4 °C; Liquid Temperature : 22.6 °C

#### DASY5 Configuration:

- Probe: EX3DV4 - SN3911; ConvF(8.17, 8.17, 8.17); Calibrated: 2016.09.29;
- Sensor-Surface: 2mm (Mechanical Surface Detection)
- Electronics: DAE4 Sn905; Calibrated: 2016.06.22
- Phantom: SAM (Front) with CRP v5.0; Type: QD000P40CD; Serial: TP:1795
- Measurement SW: DASY52, Version 52.8 (8); SEMCAD X Version 14.6.10 (7331)

**Pin=250mW/Area Scan (61x61x1):** Interpolated grid: dx=15mm, dy=15mm  
Maximum value of SAR (interpolated) = 14.4 W/kg

**Pin=250mW/Zoom Scan (5x5x7)/Cube 0:** Measurement grid: dx=8mm, dy=8mm, dz=5mm  
Reference Value = 85.13 V/m; Power Drift = -0.02 dB  
Peak SAR (extrapolated) = 18.0 W/kg  
**SAR(1 g) = 9.83 W/kg; SAR(10 g) = 5 W/kg**  
Maximum value of SAR (measured) = 14.2 W/kg



0 dB = 14.4 W/kg

## System Check\_Body\_2450MHz\_161220

**DUT: D2450V2-SN:924**

Communication System: UID 0, CW; Frequency: 2450 MHz; Duty Cycle: 1:1

Medium: MSL\_2450\_161220 Medium parameters used:  $f = 2450$  MHz;  $\sigma = 1.991$  S/m;  $\epsilon_r = 52.32$ ;  $\rho = 1000$  kg/m<sup>3</sup>

Ambient Temperature : 23.4 °C; Liquid Temperature : 22.7 °C

DASY5 Configuration:

- Probe: EX3DV4 - SN3911; ConvF(7.66, 7.66, 7.66); Calibrated: 2016.09.29;
- Sensor-Surface: 2mm (Mechanical Surface Detection)
- Electronics: DAE4 Sn905; Calibrated: 2016.06.22
- Phantom: SAM (Front) with CRP v5.0; Type: QD000P40CD; Serial: TP:1795
- Measurement SW: DASY52, Version 52.8 (8); SEMCAD X Version 14.6.10 (7331)

**Pin=250mW/Area Scan (81x81x1):** Interpolated grid: dx=12mm, dy=12mm

Maximum value of SAR (interpolated) = 20.9 W/kg

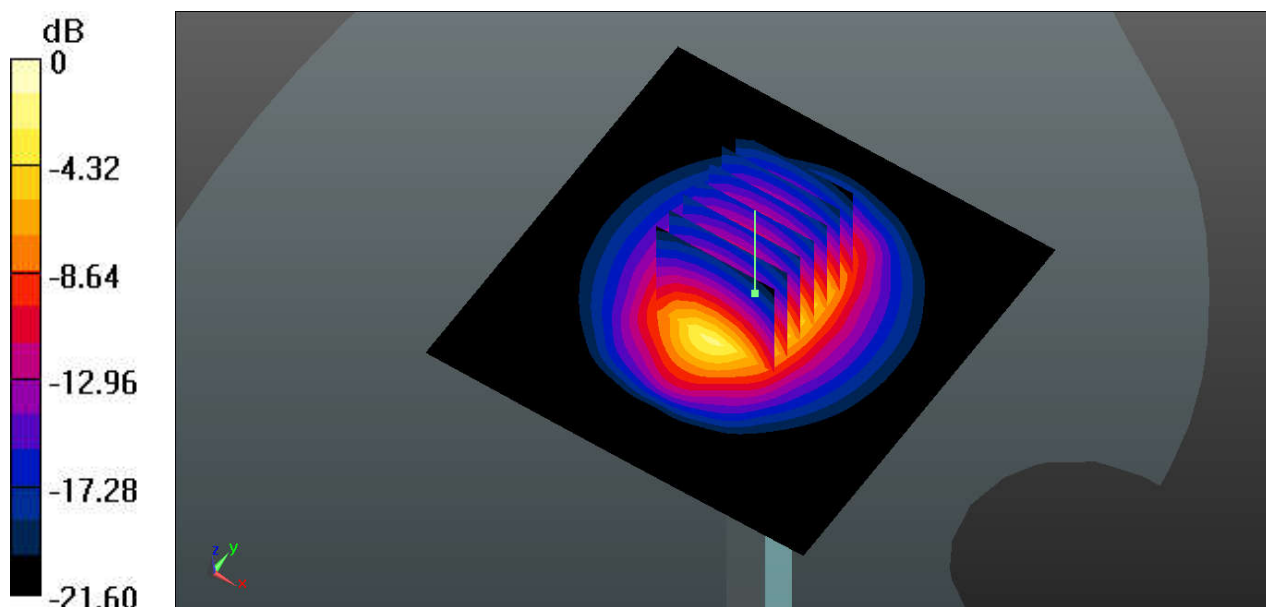
**Pin=250mW/Zoom Scan (7x7x7)/Cube 0:** Measurement grid: dx=5mm, dy=5mm, dz=5mm

Reference Value = 88.62 V/m; Power Drift = -0.02 dB

Peak SAR (extrapolated) = 27.9 W/kg

**SAR(1 g) = 13.7 W/kg; SAR(10 g) = 6.33 W/kg**

Maximum value of SAR (measured) = 20.9 W/kg



0 dB = 20.9 W/kg

## System Check\_Body\_2600MHz\_161220

### DUT: D2600V2-SN:1008

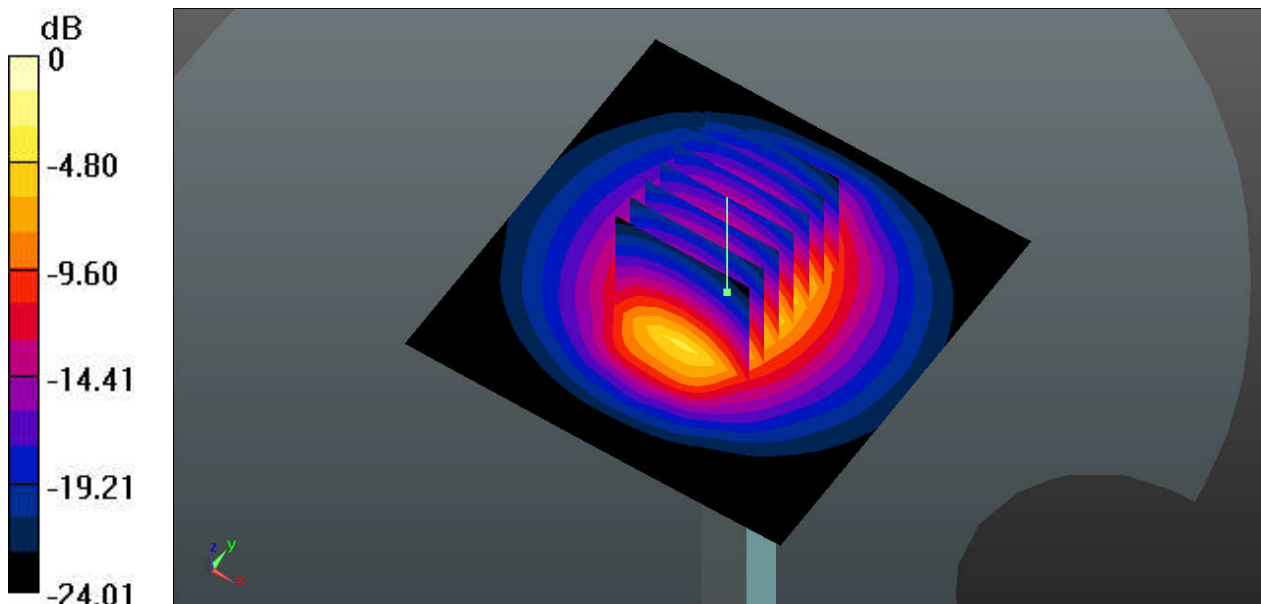
Communication System: UID 0, CW (0); Frequency: 2600 MHz; Duty Cycle: 1:1  
Medium: MSL\_2600\_161220 Medium parameters used:  $f = 2600$  MHz;  $\sigma = 2.209$  S/m;  $\epsilon_r = 51.123$ ;  
 $\rho = 1000$  kg/m<sup>3</sup>  
Ambient Temperature : 23.4 °C; Liquid Temperature : 22.8 °C

#### DASY5 Configuration:

- Probe: EX3DV4 - SN3911; ConvF(7.38, 7.38, 7.38); Calibrated: 2016.09.29;
- Sensor-Surface: 2mm (Mechanical Surface Detection)
- Electronics: DAE4 Sn905; Calibrated: 2016.06.22
- Phantom: SAM (Front) with CRP v5.0; Type: QD000P40CD; Serial: TP:1795
- Measurement SW: DASY52, Version 52.8 (8); SEMCAD X Version 14.6.10 (7331)

**Pin=250mW/Area Scan (71x71x1):** Interpolated grid: dx=12mm, dy=12mm  
Maximum value of SAR (interpolated) = 22.8 W/kg

**Pin=250mW/Zoom Scan (7x7x7)/Cube 0:** Measurement grid: dx=5mm, dy=5mm, dz=5mm  
Reference Value = 100.8 V/m; Power Drift = -0.07 dB  
Peak SAR (extrapolated) = 31.2 W/kg  
**SAR(1 g) = 14.3 W/kg; SAR(10 g) = 6.28 W/kg**  
Maximum value of SAR (measured) = 22.4 W/kg



0 dB = 22.8 W/kg

### System Check\_Body\_5250MHz\_161223

**DUT: D5GHzV2-SN:1167**

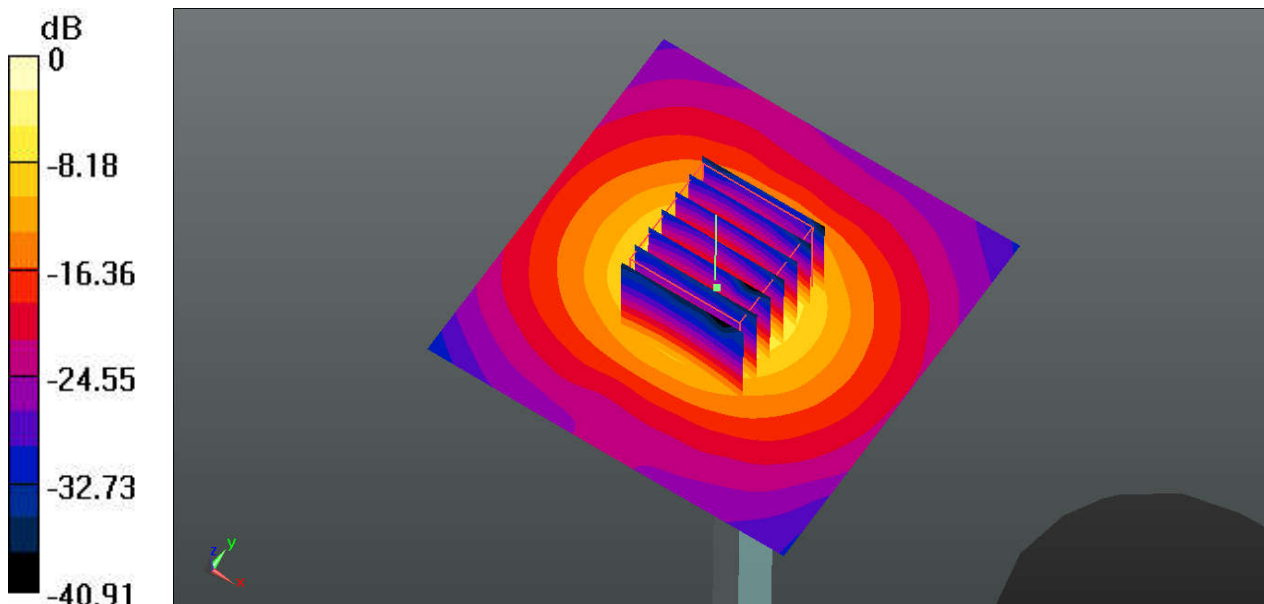
Communication System: UID 0, CW (0); Frequency: 5250 MHz; Duty Cycle: 1:1  
Medium: MSL\_5250\_161223 Medium parameters used:  $f = 5250$  MHz;  $\sigma = 5.37$  S/m;  $\epsilon_r = 48.944$ ;  $\rho = 1000$  kg/m<sup>3</sup>  
Ambient Temperature : 23.3 °C; Liquid Temperature : 22.6 °C

DASY5 Configuration:

- Probe: EX3DV4 - SN3911; ConvF(4.62, 4.62, 4.62); Calibrated: 2016.09.29;
- Sensor-Surface: 1.4mm (Mechanical Surface Detection)
- Electronics: DAE4 Sn905; Calibrated: 2016.06.22
- Phantom: SAM (Front) with CRP v5.0; Type: QD000P40CD; Serial: TP:1795
- Measurement SW: DASY52, Version 52.8 (8); SEMCAD X Version 14.6.10 (7331)

**Pin=100mW/Area Scan (71x71x1):** Interpolated grid: dx=10mm, dy=10mm  
Maximum value of SAR (interpolated) = 18.6 W/kg

**Pin=100mW/Zoom Scan (7x7x7)/Cube 0:** Measurement grid: dx=4mm, dy=4mm, dz=1.4mm  
Reference Value = 49.76 V/m; Power Drift = 0.01 dB  
Peak SAR (extrapolated) = 31.3 W/kg  
**SAR(1 g) = 7.9 W/kg; SAR(10 g) = 2.18 W/kg**  
Maximum value of SAR (measured) = 19.2 W/kg



0 dB = 18.6 W/kg

## System Check\_Body\_5600MHz\_161223

### DUT: D5GHzV2-SN:1167

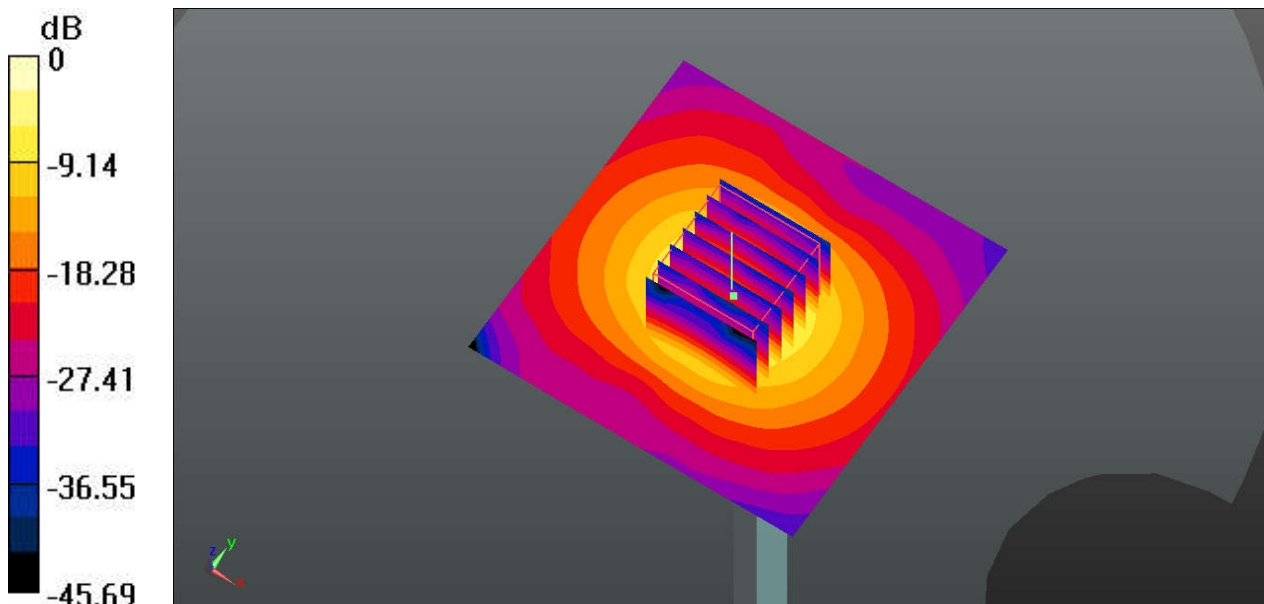
Communication System: UID 0, CW (0); Frequency: 5600 MHz; Duty Cycle: 1:1  
Medium: MSL\_5600\_161223 Medium parameters used:  $f = 5600$  MHz;  $\sigma = 5.868$  S/m;  $\epsilon_r = 48.274$ ;  
 $\rho = 1000$  kg/m<sup>3</sup>  
Ambient Temperature : 23.3 °C; Liquid Temperature : 22.8 °C

### DASY5 Configuration:

- Probe: EX3DV4 - SN3911; ConvF(3.78, 3.78, 3.78); Calibrated: 2016.09.29;
- Sensor-Surface: 1.4mm (Mechanical Surface Detection)
- Electronics: DAE4 Sn905; Calibrated: 2016.06.22
- Phantom: SAM (Front) with CRP v5.0; Type: QD000P40CD; Serial: TP:1795
- Measurement SW: DASY52, Version 52.8 (8); SEMCAD X Version 14.6.10 (7331)

**Pin=100mW/Area Scan (71x71x1):** Interpolated grid: dx=10mm, dy=10mm  
Maximum value of SAR (interpolated) = 21.7 W/kg

**Pin=100mW/Zoom Scan (7x7x7)/Cube 0:** Measurement grid: dx=4mm, dy=4mm, dz=1.4mm  
Reference Value = 51.85 V/m; Power Drift = 0.08 dB  
Peak SAR (extrapolated) = 36.1 W/kg  
**SAR(1 g) = 8.1 W/kg; SAR(10 g) = 2.26 W/kg**  
Maximum value of SAR (measured) = 22.7 W/kg



0 dB = 21.7 W/kg

## System Check\_Body\_5750MHz\_161223

### DUT: D5GHzV2-SN:1167

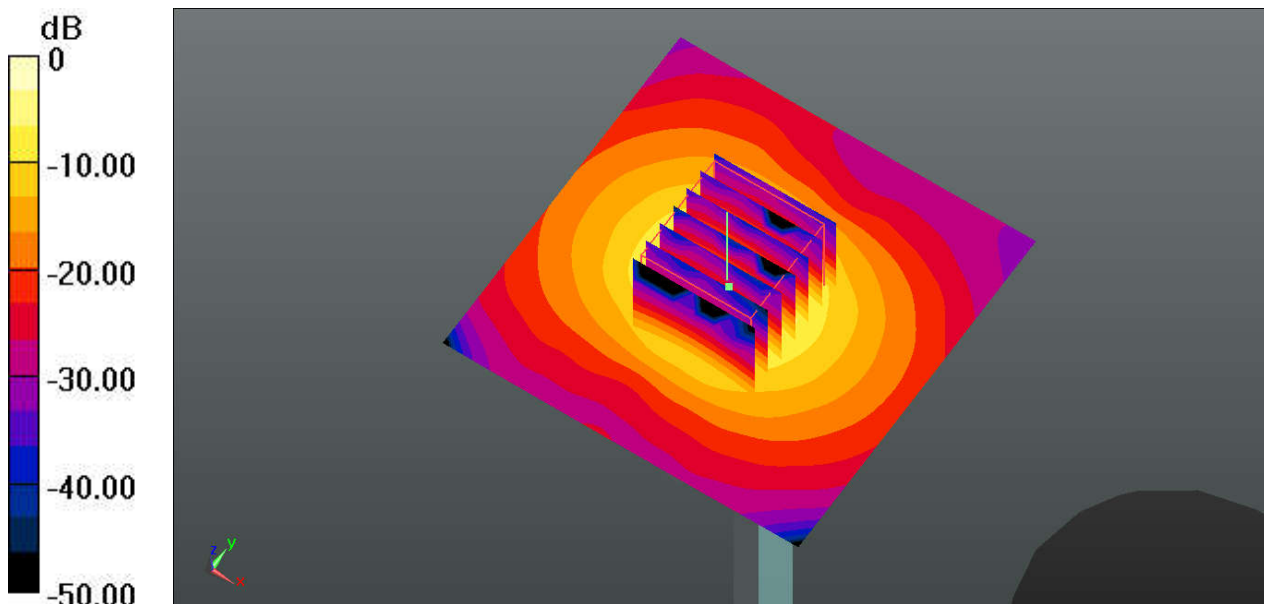
Communication System: UID 0, CW (0); Frequency: 5750 MHz; Duty Cycle: 1:1  
Medium: MSL\_5750\_161223 Medium parameters used:  $f = 5750$  MHz;  $\sigma = 6.025$  S/m;  $\epsilon_r = 48.112$ ;  
 $\rho = 1000$  kg/m<sup>3</sup>  
Ambient Temperature : 23.3 °C; Liquid Temperature : 22.9 °C

### DASY5 Configuration:

- Probe: EX3DV4 - SN3911; ConvF(3.95, 3.95, 3.95); Calibrated: 2016.09.29;
- Sensor-Surface: 1.4mm (Mechanical Surface Detection)
- Electronics: DAE4 Sn905; Calibrated: 2016.06.22
- Phantom: SAM (Front) with CRP v5.0; Type: QD000P40CD; Serial: TP:1795
- Measurement SW: DASY52, Version 52.8 (8); SEMCAD X Version 14.6.10 (7331)

**Pin=100mW/Area Scan (71x71x1):** Interpolated grid: dx=10mm, dy=10mm  
Maximum value of SAR (interpolated) = 17.8 W/kg

**Pin=100mW/Zoom Scan (7x7x7)/Cube 0:** Measurement grid: dx=4mm, dy=4mm, dz=1.4mm  
Reference Value = 44.98 V/m; Power Drift = 0.05 dB  
Peak SAR (extrapolated) = 29.7 W/kg  
**SAR(1 g) = 7.15 W/kg; SAR(10 g) = 1.95 W/kg**  
Maximum value of SAR (measured) = 18.3 W/kg



0 dB = 17.8 W/kg



**Appendix B. Plots of High SAR Measurement**

The plots are shown as follows.

### 01\_GSM850\_GPRS(2 Tx slots)\_Right Cheek\_Ch128

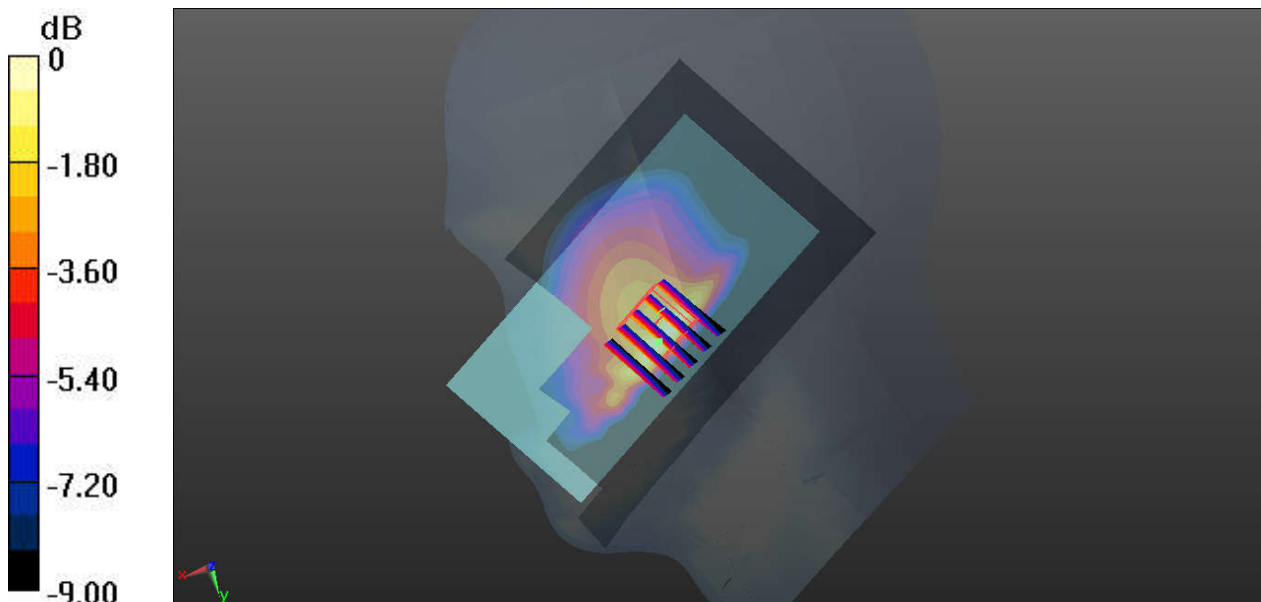
Communication System: UID 0, GPRS/EDGE10 (0); Frequency: 824.2 MHz; Duty Cycle: 1:4.15  
Medium: HSL\_835\_161219 Medium parameters used:  $f = 824.2$  MHz;  $\sigma = 0.919$  S/m;  $\epsilon_r = 41.913$ ;  
 $\rho = 1000$  kg/m<sup>3</sup>  
Ambient Temperature : 23.3 °C; Liquid Temperature : 22.6 °C

#### DASY5 Configuration:

- Probe: EX3DV4 - SN3911; ConvF(10.54, 10.54, 10.54); Calibrated: 2016.09.29;
- Sensor-Surface: 2mm (Mechanical Surface Detection)
- Electronics: DAE4 Sn905; Calibrated: 2016.06.22
- Phantom: SAM (Front) with CRP v5.0; Type: QD000P40CD; Serial: TP:1795
- Measurement SW: DASY52, Version 52.8 (8); SEMCAD X Version 14.6.10 (7331)

**Ch128/Area Scan (71x121x1):** Interpolated grid: dx=15mm, dy=15mm  
Maximum value of SAR (interpolated) = 0.684 W/kg

**Ch128/Zoom Scan (5x5x7)/Cube 0:** Measurement grid: dx=8mm, dy=8mm, dz=5mm  
Reference Value = 1.351 V/m; Power Drift = 0.08 dB  
Peak SAR (extrapolated) = 0.430 W/kg  
**SAR(1 g) = 0.358 W/kg; SAR(10 g) = 0.275 W/kg**  
Maximum value of SAR (measured) = 0.396 W/kg



0 dB = 0.684 W/kg

## 02\_GSM1900\_GPRS(2 Tx slots)\_Left Cheek\_Ch810

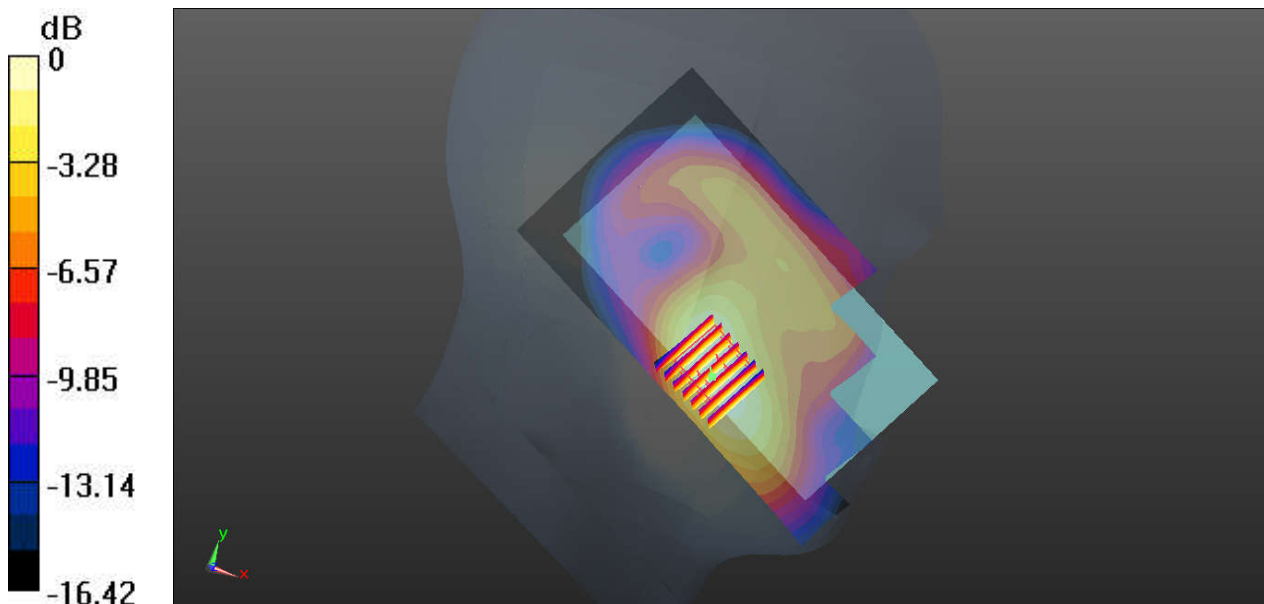
Communication System: UID 0, GPRS/EDGE10 (0); Frequency: 1909.8 MHz; Duty Cycle: 1:4.15  
Medium: HSL\_1900\_161218 Medium parameters used:  $f = 1909.8$  MHz;  $\sigma = 1.465$  S/m;  $\epsilon_r = 40.025$ ;  $\rho = 1000$  kg/m<sup>3</sup>  
Ambient Temperature : 23.4 °C; Liquid Temperature : 22.5 °C

### DASY5 Configuration:

- Probe: EX3DV4 - SN3911; ConvF(8.5, 8.5, 8.5); Calibrated: 2016.09.29;
- Sensor-Surface: 2mm (Mechanical Surface Detection)
- Electronics: DAE4 Sn905; Calibrated: 2016.06.22
- Phantom: SAM (Front) with CRP v5.0; Type: QD000P40CD; Serial: TP:1795
- Measurement SW: DASY52, Version 52.8 (8); SEMCAD X Version 14.6.10 (7331)

**Ch810/Area Scan (81x151x1):** Interpolated grid: dx=12mm, dy=12mm  
Maximum value of SAR (interpolated) = 0.470 W/kg

**Ch810/Zoom Scan (7x7x7)/Cube 0:** Measurement grid: dx=5mm, dy=5mm, dz=5mm  
Reference Value = 5.373 V/m; Power Drift = 0.09 dB  
Peak SAR (extrapolated) = 0.574 W/kg  
**SAR(1 g) = 0.382 W/kg; SAR(10 g) = 0.241 W/kg**  
Maximum value of SAR (measured) = 0.485 W/kg



0 dB = 0.470 W/kg

### 03\_WCDMA Band V\_RMC 12.2Kbpst\_Left Cheek\_Ch4132

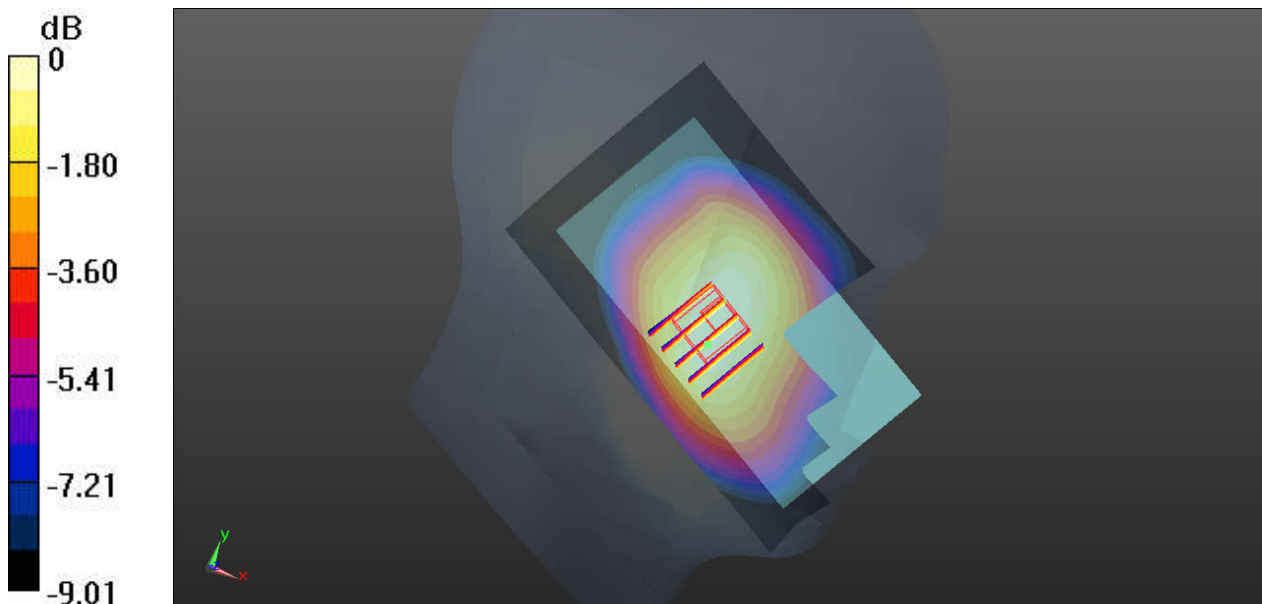
Communication System: UID 0, UMTS (0); Frequency: 826.4 MHz; Duty Cycle: 1:1  
Medium: HSL\_835\_161219 Medium parameters used:  $f = 826.4$  MHz;  $\sigma = 0.921$  S/m;  $\epsilon_r = 41.889$ ;  
 $\rho = 1000$  kg/m<sup>3</sup>  
Ambient Temperature : 23.3 °C; Liquid Temperature : 22.6 °C

#### DASY5 Configuration:

- Probe: EX3DV4 - SN3911; ConvF(10.54, 10.54, 10.54); Calibrated: 2016.09.29;
- Sensor-Surface: 2mm (Mechanical Surface Detection)
- Electronics: DAE4 Sn905; Calibrated: 2016.06.22
- Phantom: SAM (Front) with CRP v5.0; Type: QD000P40CD; Serial: TP:1795
- Measurement SW: DASY52, Version 52.8 (8); SEMCAD X Version 14.6.10 (7331)

**Ch4132/Area Scan (71x121x1):** Interpolated grid: dx=15mm, dy=15mm  
Maximum value of SAR (interpolated) = 0.269 W/kg

**Ch4132/Zoom Scan (5x5x7)/Cube 0:** Measurement grid: dx=8mm, dy=8mm, dz=5mm  
Reference Value = 2.258 V/m; Power Drift = 0.03 dB  
Peak SAR (extrapolated) = 0.294 W/kg  
**SAR(1 g) = 0.246 W/kg; SAR(10 g) = 0.190 W/kg**  
Maximum value of SAR (measured) = 0.274 W/kg



0 dB = 0.269 W/kg

### 04\_WCDMA Band II\_RMC 12.2Kbpst\_Left Cheek\_Ch9262

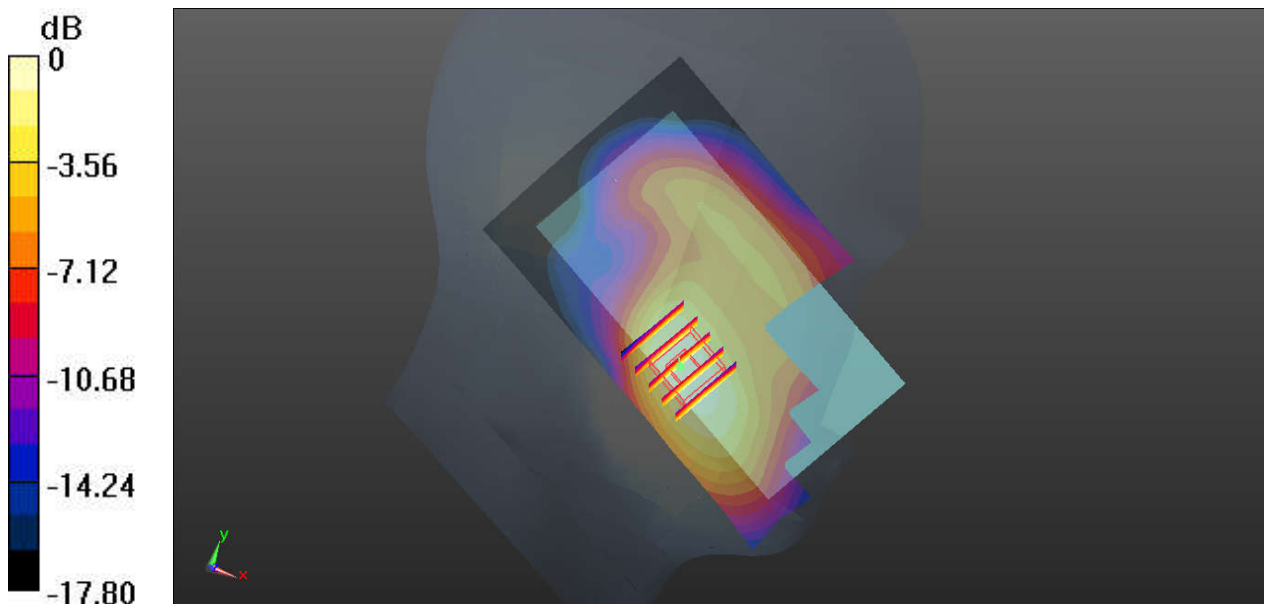
Communication System: UID 0, UMTS (0); Frequency: 1852.4 MHz; Duty Cycle: 1:1  
Medium: HSL\_1900\_161218 Medium parameters used:  $f = 1852.4$  MHz;  $\sigma = 1.405$  S/m;  $\epsilon_r = 40.286$ ;  $\rho = 1000$  kg/m<sup>3</sup>  
Ambient Temperature : 23.4 °C; Liquid Temperature : 22.5 °C

#### DASY5 Configuration:

- Probe: EX3DV4 - SN3911; ConvF(8.5, 8.5, 8.5); Calibrated: 2016.09.29;
- Sensor-Surface: 2mm (Mechanical Surface Detection)
- Electronics: DAE4 Sn905; Calibrated: 2016.06.22
- Phantom: SAM (Front) with CRP v5.0; Type: QD000P40CD; Serial: TP:1795
- Measurement SW: DASY52, Version 52.8 (8); SEMCAD X Version 14.6.10 (7331)

**Ch9262/Area Scan (71x121x1):** Interpolated grid: dx=15mm, dy=15mm  
Maximum value of SAR (interpolated) = 0.776 W/kg

**Ch9262/Zoom Scan (5x5x7)/Cube 0:** Measurement grid: dx=8mm, dy=8mm, dz=5mm  
Reference Value = 1.064 V/m; Power Drift = -0.07 dB  
Peak SAR (extrapolated) = 0.917 W/kg  
**SAR(1 g) = 0.603 W/kg; SAR(10 g) = 0.381 W/kg**  
Maximum value of SAR (measured) = 0.772 W/kg



0 dB = 0.776 W/kg

**05\_LTE Band 5\_10M\_QPSK\_1RB\_25Offset\_Right Cheek\_Ch20525**

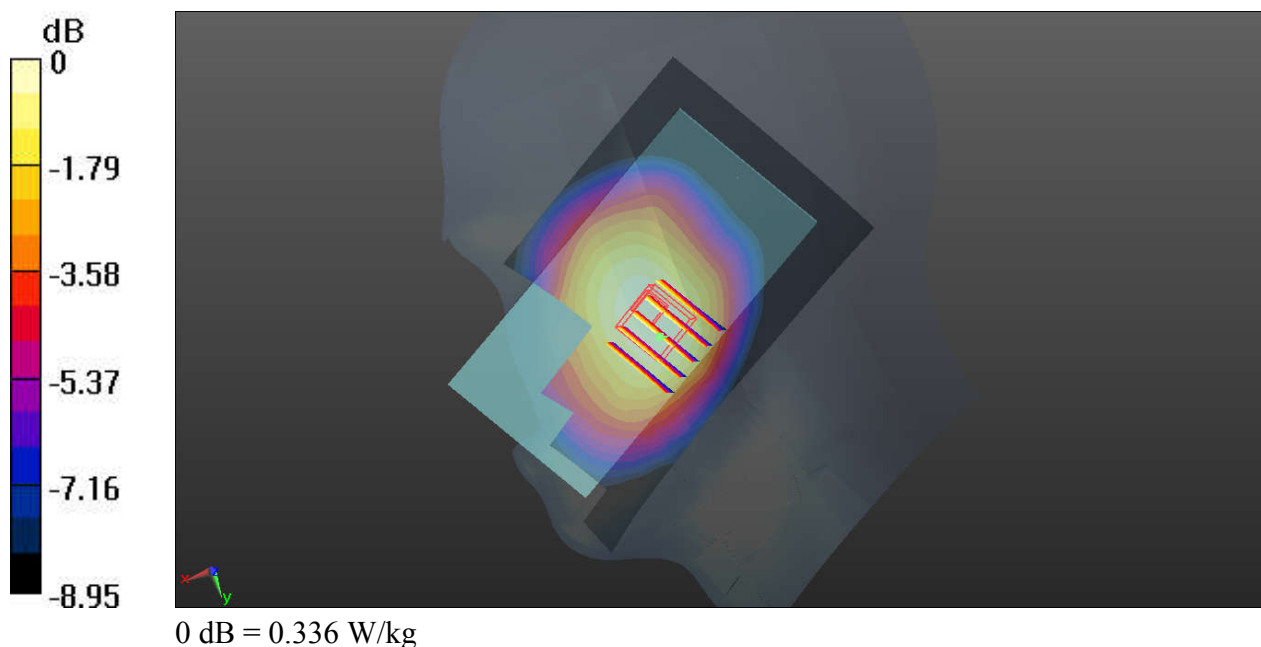
Communication System: UID 0, LTE (0); Frequency: 836.5 MHz; Duty Cycle: 1:1  
Medium: HSL\_835\_161219 Medium parameters used:  $f = 836.5$  MHz;  $\sigma = 0.93$  S/m;  $\epsilon_r = 41.777$ ;  $\rho = 1000$  kg/m<sup>3</sup>  
Ambient Temperature : 23.3 °C; Liquid Temperature : 22.6 °C

**DASY5 Configuration:**

- Probe: EX3DV4 - SN3911; ConvF(10.54, 10.54, 10.54); Calibrated: 2016.09.29;
- Sensor-Surface: 2mm (Mechanical Surface Detection)
- Electronics: DAE4 Sn905; Calibrated: 2016.06.22
- Phantom: SAM (Front) with CRP v5.0; Type: QD000P40CD; Serial: TP:1795
- Measurement SW: DASY52, Version 52.8 (8); SEMCAD X Version 14.6.10 (7331)

**Ch20525/Area Scan (71x121x1):** Interpolated grid: dx=15mm, dy=15mm  
Maximum value of SAR (interpolated) = 0.336 W/kg

**Ch20525/Zoom Scan (5x5x7)/Cube 0:** Measurement grid: dx=8mm, dy=8mm, dz=5mm  
Reference Value = 2.025 V/m; Power Drift = 0.02 dB  
Peak SAR (extrapolated) = 0.357 W/kg  
**SAR(1 g) = 0.293 W/kg; SAR(10 g) = 0.229 W/kg**  
Maximum value of SAR (measured) = 0.328 W/kg



### 06\_LTE Band 7\_20M\_QPSK\_1RB\_49Offset\_Left Cheek\_Ch21350

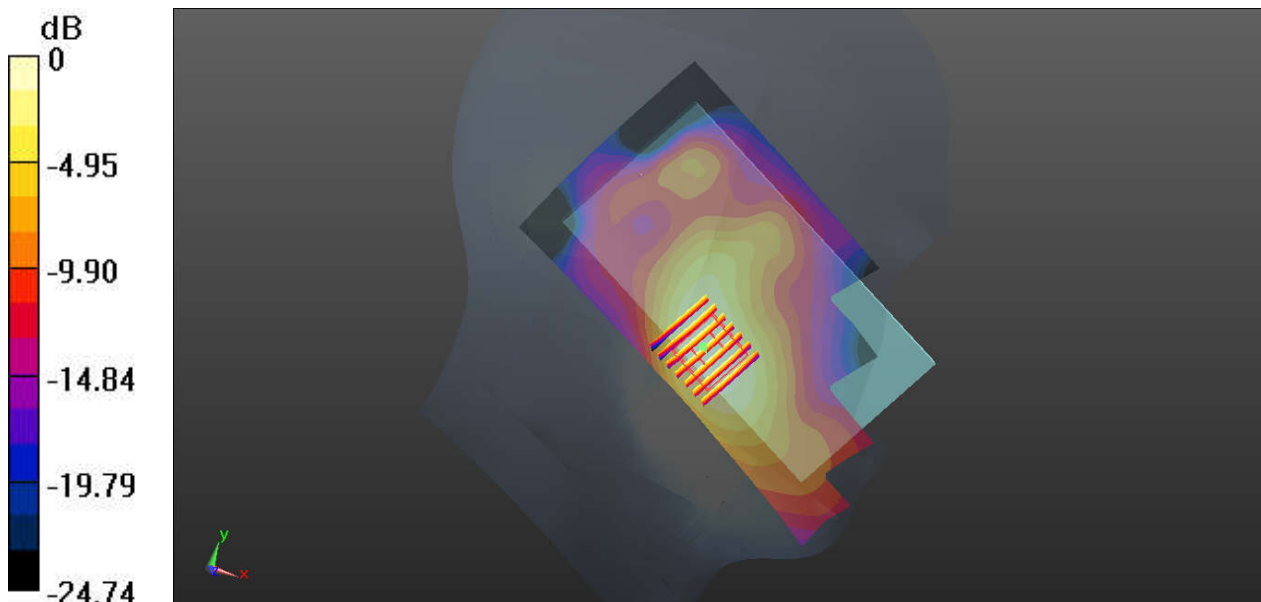
Communication System: UID 0, LTE (0); Frequency: 2560 MHz; Duty Cycle: 1:1  
Medium: HSL\_2600\_161218 Medium parameters used:  $f = 2560$  MHz;  $\sigma = 2.003$  S/m;  $\epsilon_r = 38.557$ ;  
 $\rho = 1000$  kg/m<sup>3</sup>  
Ambient Temperature : 23.4 °C; Liquid Temperature : 22.7 °C

#### DASY5 Configuration:

- Probe: EX3DV4 - SN3911; ConvF(7.39, 7.39, 7.39); Calibrated: 2016.09.29;
- Sensor-Surface: 2mm (Mechanical Surface Detection)
- Electronics: DAE4 Sn905; Calibrated: 2016.06.22
- Phantom: SAM (Front) with CRP v5.0; Type: QD000P40CD; Serial: TP:1795
- Measurement SW: DASY52, Version 52.8 (8); SEMCAD X Version 14.6.10 (7331)

**Ch21350/Area Scan (81x151x1):** Interpolated grid: dx=12mm, dy=12mm  
Maximum value of SAR (interpolated) = 0.912 W/kg

**Ch21350/Zoom Scan (7x7x7)/Cube 0:** Measurement grid: dx=5mm, dy=5mm, dz=5mm  
Reference Value = 1.070 V/m; Power Drift = 0.01 dB  
Peak SAR (extrapolated) = 1.22 W/kg  
**SAR(1 g) = 0.676 W/kg; SAR(10 g) = 0.375 W/kg**  
Maximum value of SAR (measured) = 0.966 W/kg



0 dB = 0.912 W/kg

### 07\_WLAN2.4GHz\_802.11b 1Mbps\_Left Cheek\_Ch6

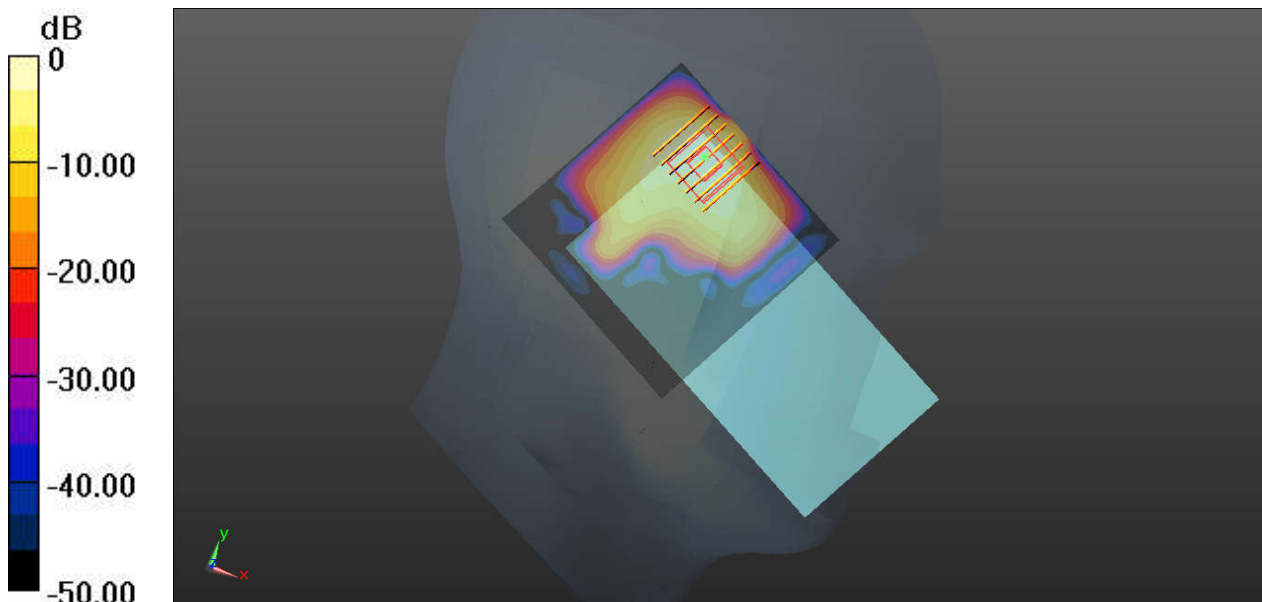
Communication System: UID 0, WIFI (0); Frequency: 2437 MHz; Duty Cycle: 1:1.021  
Medium: HSL\_2450\_161218 Medium parameters used:  $f = 2437$  MHz;  $\sigma = 1.814$  S/m;  $\epsilon_r = 40.127$ ;  
 $\rho = 1000$  kg/m<sup>3</sup>  
Ambient Temperature : 23.4 °C; Liquid Temperature : 22.6 °C

#### DASY5 Configuration:

- Probe: EX3DV4 - SN3911; ConvF(7.43, 7.43, 7.43); Calibrated: 2016.09.29;
- Sensor-Surface: 2mm (Mechanical Surface Detection)
- Electronics: DAE4 Sn905; Calibrated: 2016.06.22
- Phantom: SAM (Front) with CRP v5.0; Type: QD000P40CD; Serial: TP:1795
- Measurement SW: DASY52, Version 52.8 (8); SEMCAD X Version 14.6.10 (7331)

**Ch6/Area Scan (81x81x1):** Interpolated grid: dx=12mm, dy=12mm  
Maximum value of SAR (interpolated) = 0.288 W/kg

**Ch6/Zoom Scan (7x7x7)/Cube 0:** Measurement grid: dx=5mm, dy=5mm, dz=5mm  
Reference Value = 0 V/m; Power Drift = -0.05 dB  
Peak SAR (extrapolated) = 0.379 W/kg  
**SAR(1 g) = 0.167 W/kg; SAR(10 g) = 0.064 W/kg**  
Maximum value of SAR (measured) = 0.273 W/kg



0 dB = 0.288 W/kg

### 08\_WLAN5.3GHz\_802.11a 6Mbps\_Right Tilted\_Ch64

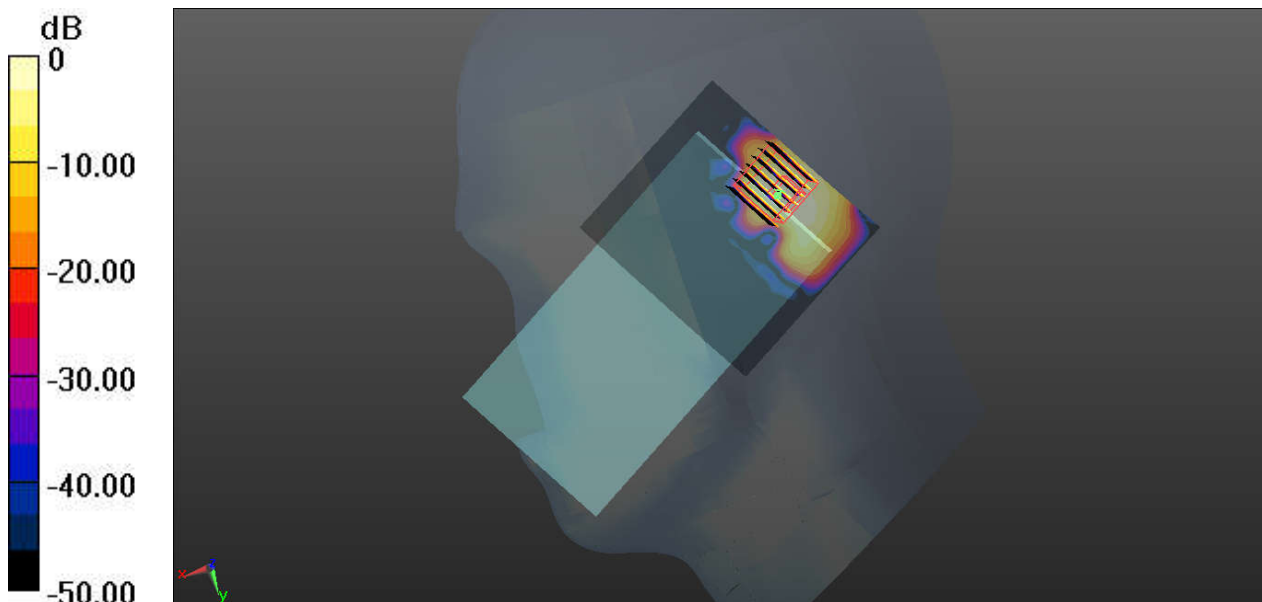
Communication System: UID 0, WIFI (0); Frequency: 5320 MHz;Duty Cycle: 1:1.149  
Medium: HSL\_5250\_161219 Medium parameters used:  $f = 5320$  MHz;  $\sigma = 4.676$  S/m;  $\epsilon_r = 36.547$ ;  
 $\rho = 1000$  kg/m<sup>3</sup>  
Ambient Temperature : 23.2 °C; Liquid Temperature : 22.5 °C

#### DASY5 Configuration:

- Probe: EX3DV4 - SN3911; ConvF(5.25, 5.25, 5.25); Calibrated: 2016.09.29;
- Sensor-Surface: 1.4mm (Mechanical Surface Detection)
- Electronics: DAE4 Sn905; Calibrated: 2016.06.22
- Phantom: SAM (Front) with CRP v5.0; Type: QD000P40CD; Serial: TP:1795
- Measurement SW: DASY52, Version 52.8 (8); SEMCAD X Version 14.6.10 (7331)

**Ch64/Area Scan (91x81x1):** Interpolated grid: dx=10mm, dy=10mm  
Maximum value of SAR (interpolated) = 0.693 W/kg

**Ch64/Zoom Scan (7x7x7)/Cube 0:** Measurement grid: dx=4mm, dy=4mm, dz=1.4mm  
Reference Value = 0 V/m; Power Drift = 0.04 dB  
Peak SAR (extrapolated) = 0.795 W/kg  
**SAR(1 g) = 0.211 W/kg; SAR(10 g) = 0.064 W/kg**  
Maximum value of SAR (measured) = 0.501 W/kg



0 dB = 0.693 W/kg

### 09\_WLAN5.5GHz\_802.11a 6Mbps\_Left Cheek\_Ch116

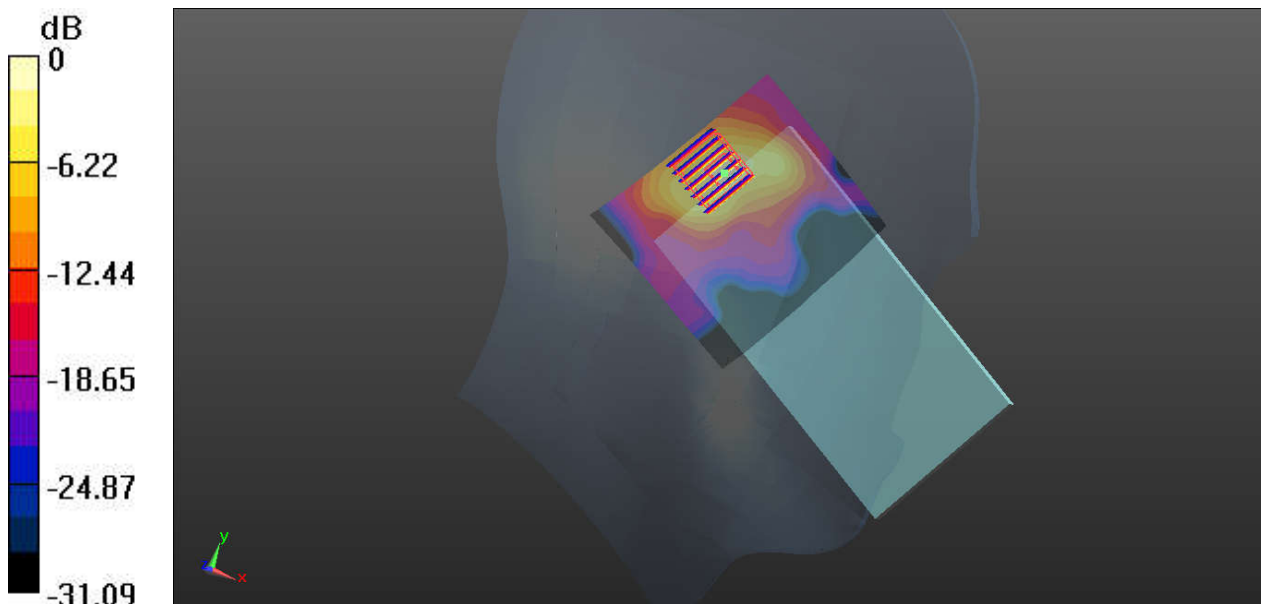
Communication System: UID 0, WIFI (0); Frequency: 5580 MHz;Duty Cycle: 1:1.141  
Medium: HSL\_5600\_161219 Medium parameters used:  $f = 5580$  MHz;  $\sigma = 4.977$  S/m;  $\epsilon_r = 36.147$ ;  
 $\rho = 1000$  kg/m<sup>3</sup>  
Ambient Temperature : 23.2 °C; Liquid Temperature : 22.6 °C

#### DASY5 Configuration:

- Probe: EX3DV4 - SN3911; ConvF(4.49, 4.49, 4.49); Calibrated: 2016.09.29;
- Sensor-Surface: 1.4mm (Mechanical Surface Detection)
- Electronics: DAE4 Sn905; Calibrated: 2016.06.22
- Phantom: SAM (Front) with CRP v5.0; Type: QD000P40CD; Serial: TP:1795
- Measurement SW: DASY52, Version 52.8 (8); SEMCAD X Version 14.6.10 (7331)

**Ch116/Area Scan (91x81x1):** Interpolated grid: dx=10mm, dy=10mm  
Maximum value of SAR (interpolated) = 1.94 W/kg

**Ch116/Zoom Scan (7x7x7)/Cube 0:** Measurement grid: dx=4mm, dy=4mm, dz=1.4mm  
Reference Value = 2.646 V/m; Power Drift = -0.08 dB  
Peak SAR (extrapolated) = 3.32 W/kg  
**SAR(1 g) = 0.628 W/kg; SAR(10 g) = 0.201 W/kg**  
Maximum value of SAR (measured) = 1.97 W/kg



0 dB = 1.94 W/kg

### 10\_WLAN5.8GHz\_802.11a 6Mbps\_Left Cheek\_Ch165

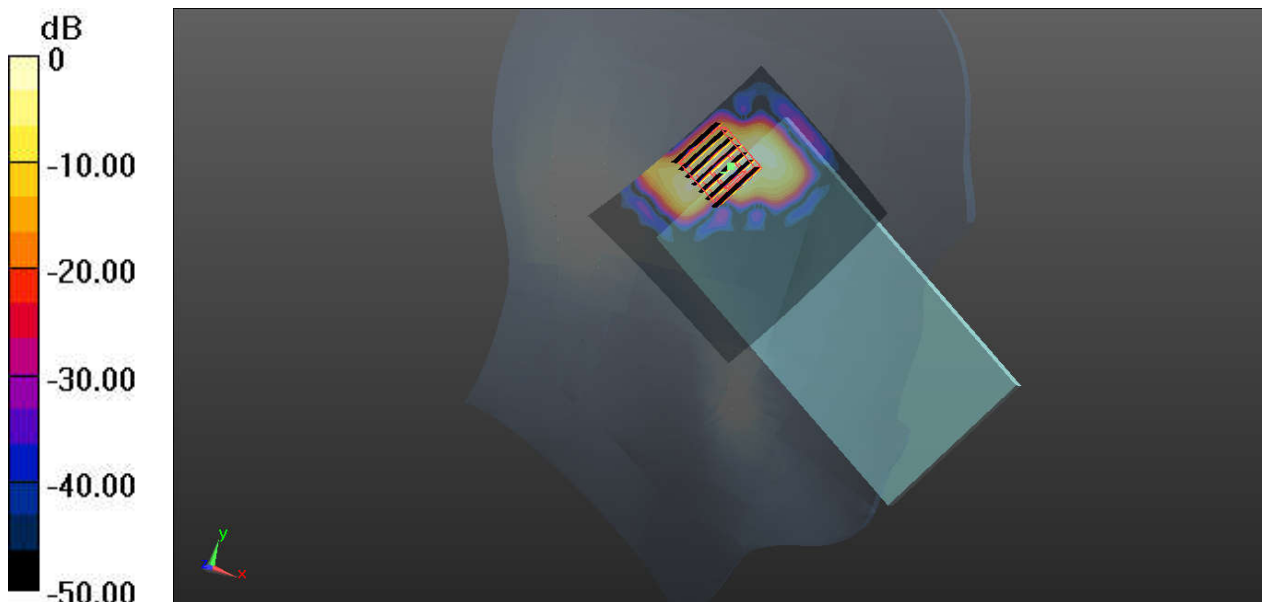
Communication System: UID 0, WIFI (0); Frequency: 5825 MHz;Duty Cycle: 1:1.149  
Medium: HSL\_5750\_161219 Medium parameters used:  $f = 5825$  MHz;  $\sigma = 5.256$  S/m;  $\epsilon_r = 35.738$ ;  
 $\rho = 1000$  kg/m<sup>3</sup>  
Ambient Temperature : 23.2 °C; Liquid Temperature : 22.7 °C

#### DASY5 Configuration:

- Probe: EX3DV4 - SN3911; ConvF(4.75, 4.75, 4.75); Calibrated: 2016.09.29;
- Sensor-Surface: 1.4mm (Mechanical Surface Detection)
- Electronics: DAE4 Sn905; Calibrated: 2016.06.22
- Phantom: SAM (Front) with CRP v5.0; Type: QD000P40CD; Serial: TP:1795
- Measurement SW: DASY52, Version 52.8 (8); SEMCAD X Version 14.6.10 (7331)

**Ch165/Area Scan (91x81x1):** Interpolated grid: dx=10mm, dy=10mm  
Maximum value of SAR (interpolated) = 0.401 W/kg

**Ch165/Zoom Scan (7x7x7)/Cube 0:** Measurement grid: dx=4mm, dy=4mm, dz=1.4mm  
Reference Value = 0 V/m; Power Drift = 0.01 dB  
Peak SAR (extrapolated) = 0.636 W/kg  
**SAR(1 g) = 0.130 W/kg; SAR(10 g) = 0.035 W/kg**  
Maximum value of SAR (measured) = 0.386 W/kg



0 dB = 0.401 W/kg

### 11\_GSM850\_GPRS(2 Tx slots)\_Back\_10mm\_Ch128

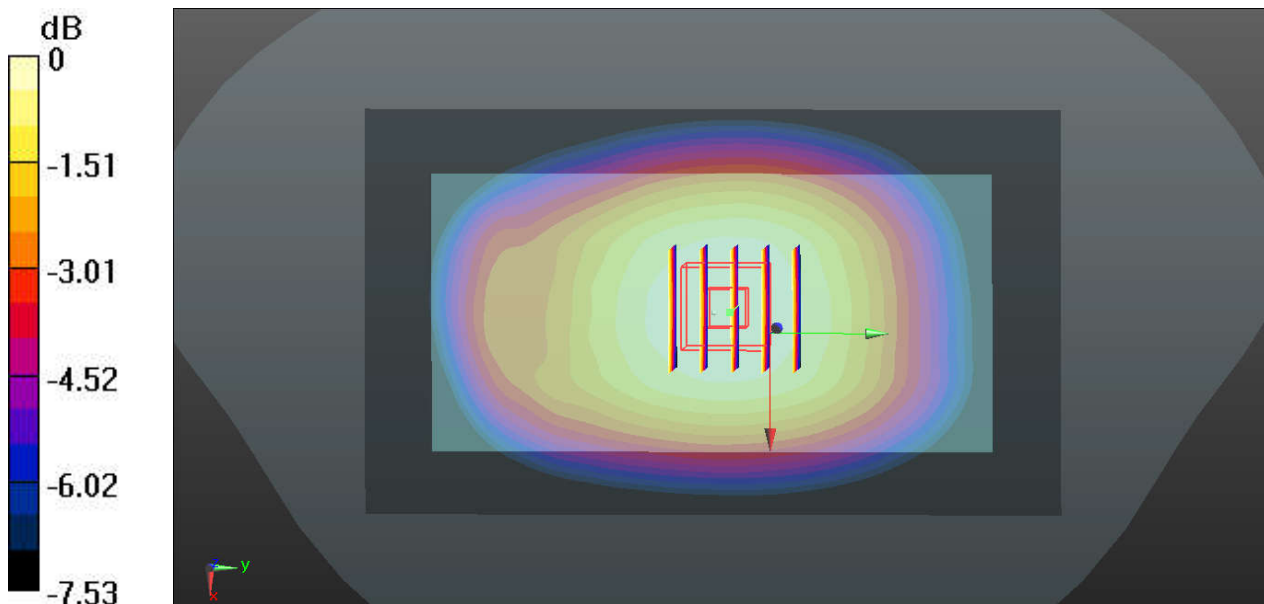
Communication System: UID 0, GPRS/EDGE10 (0); Frequency: 824.2 MHz; Duty Cycle: 1:4.15  
Medium: MSL\_835\_161220 Medium parameters used:  $f = 824.2$  MHz;  $\sigma = 0.983$  S/m;  $\epsilon_r = 54.707$ ;  
 $\rho = 1000$  kg/m<sup>3</sup>  
Ambient Temperature : 23.4 °C; Liquid Temperature : 22.5 °C

#### DASY5 Configuration:

- Probe: EX3DV4 - SN3911; ConvF(10.19, 10.19, 10.19); Calibrated: 2016.09.29;
- Sensor-Surface: 2mm (Mechanical Surface Detection)
- Electronics: DAE4 Sn905; Calibrated: 2016.06.22
- Phantom: SAM (Front) with CRP v5.0; Type: QD000P40CD; Serial: TP:1795
- Measurement SW: DASY52, Version 52.8 (8); SEMCAD X Version 14.6.10 (7331)

**Ch128/Area Scan (71x121x1):** Interpolated grid: dx=15mm, dy=15mm  
Maximum value of SAR (interpolated) = 0.703 W/kg

**Ch128/Zoom Scan (5x5x7)/Cube 0:** Measurement grid: dx=8mm, dy=8mm, dz=5mm  
Reference Value = 2.051 V/m; Power Drift = 0.07 dB  
Peak SAR (extrapolated) = 0.792 W/kg  
**SAR(1 g) = 0.633 W/kg; SAR(10 g) = 0.492 W/kg**  
Maximum value of SAR (measured) = 0.723 W/kg



0 dB = 0.703 W/kg

## 12\_GSM1900\_GPRS(2 Tx slots)\_Front\_10mm\_Ch810

Communication System: UID 0, GPRS/EDGE10 (0); Frequency: 1909.8 MHz; Duty Cycle: 1:4.15  
Medium: MSL\_1900\_161220 Medium parameters used:  $f = 1909.8$  MHz;  $\sigma = 1.543$  S/m;  $\epsilon_r = 52.372$ ;  $\rho = 1000$  kg/m<sup>3</sup>  
Ambient Temperature : 23.4 °C; Liquid Temperature : 22.6 °C

### DASY5 Configuration:

- Probe: EX3DV4 - SN3911; ConvF(8.17, 8.17, 8.17); Calibrated: 2016.09.29;
- Sensor-Surface: 2mm (Mechanical Surface Detection)
- Electronics: DAE4 Sn905; Calibrated: 2016.06.22
- Phantom: SAM (Front) with CRP v5.0; Type: QD000P40CD; Serial: TP:1795
- Measurement SW: DASY52, Version 52.8 (8); SEMCAD X Version 14.6.10 (7331)

**Ch810/Area Scan (71x61x1):** Interpolated grid: dx=15mm, dy=15mm

Maximum value of SAR (interpolated) = 0.737 W/kg

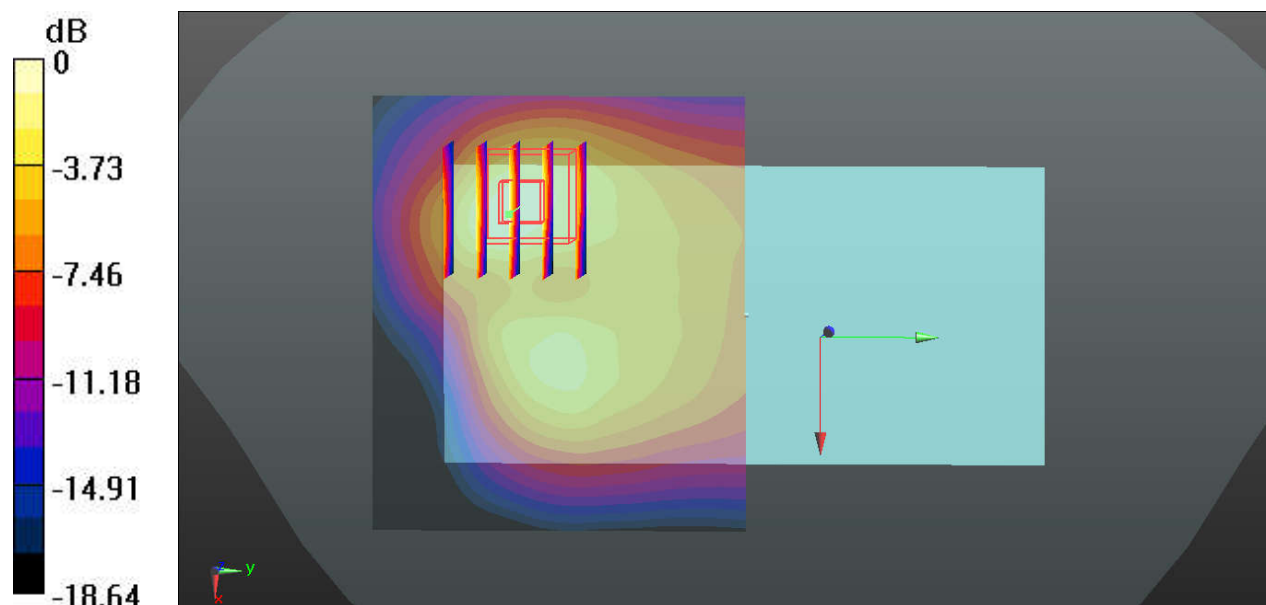
**Ch810/Zoom Scan (5x5x7)/Cube 0:** Measurement grid: dx=8mm, dy=8mm, dz=5mm

Reference Value = 2.719 V/m; Power Drift = 0.06 dB

Peak SAR (extrapolated) = 0.951 W/kg

**SAR(1 g) = 0.528 W/kg; SAR(10 g) = 0.272 W/kg**

Maximum value of SAR (measured) = 0.741 W/kg



0 dB = 0.737 W/kg

### 13\_WCDMA Band V\_RMC 12.2Kbpst\_Back\_10mm\_Ch4132

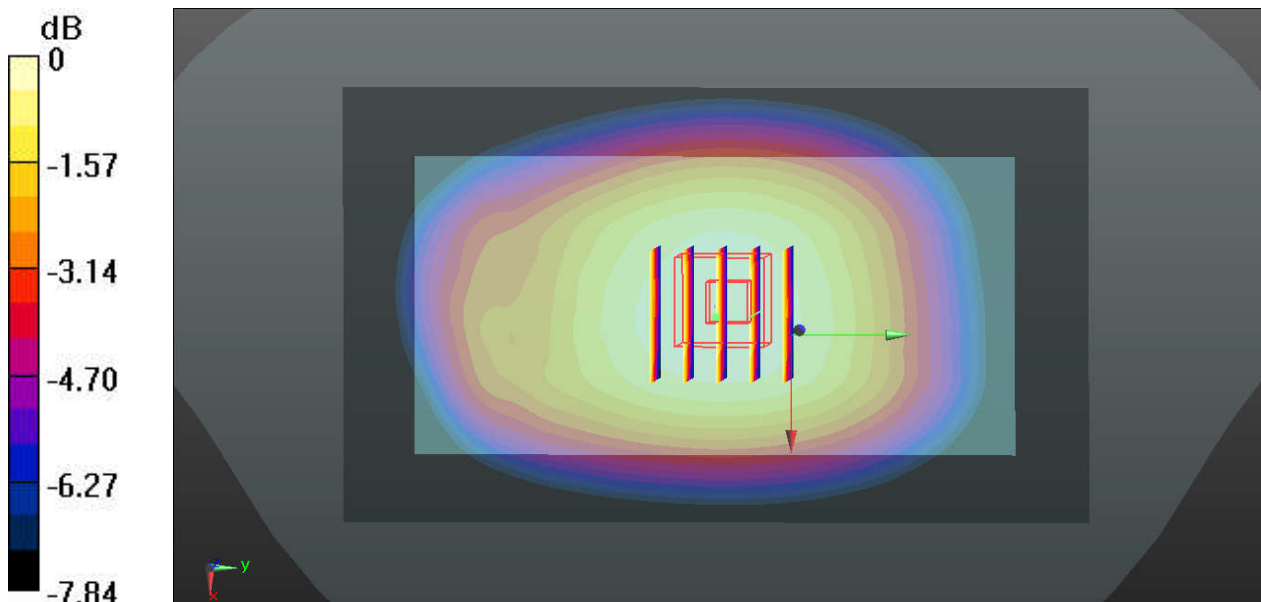
Communication System: UID 0, UMTS (0); Frequency: 826.4 MHz; Duty Cycle: 1:1  
Medium: MSL\_835\_161220 Medium parameters used:  $f = 826.4$  MHz;  $\sigma = 0.985$  S/m;  $\epsilon_r = 54.682$ ;  
 $\rho = 1000$  kg/m<sup>3</sup>  
Ambient Temperature : 23.4 °C; Liquid Temperature : 22.5 °C

#### DASY5 Configuration:

- Probe: EX3DV4 - SN3911; ConvF(10.19, 10.19, 10.19); Calibrated: 2016.09.29;
- Sensor-Surface: 2mm (Mechanical Surface Detection)
- Electronics: DAE4 Sn905; Calibrated: 2016.06.22
- Phantom: SAM (Front) with CRP v5.0; Type: QD000P40CD; Serial: TP:1795
- Measurement SW: DASY52, Version 52.8 (8); SEMCAD X Version 14.6.10 (7331)

**Ch4132/Area Scan (71x121x1):** Interpolated grid: dx=15mm, dy=15mm  
Maximum value of SAR (interpolated) = 0.573 W/kg

**Ch4132/Zoom Scan (5x5x7)/Cube 0:** Measurement grid: dx=8mm, dy=8mm, dz=5mm  
Reference Value = 1.949 V/m; Power Drift = 0.07 dB  
Peak SAR (extrapolated) = 0.619 W/kg  
**SAR(1 g) = 0.500 W/kg; SAR(10 g) = 0.390 W/kg**  
Maximum value of SAR (measured) = 0.568 W/kg



0 dB = 0.573 W/kg

### 14\_WCDMA Band II\_RMC 12.2Kbpst\_Back\_10mm\_Ch9262

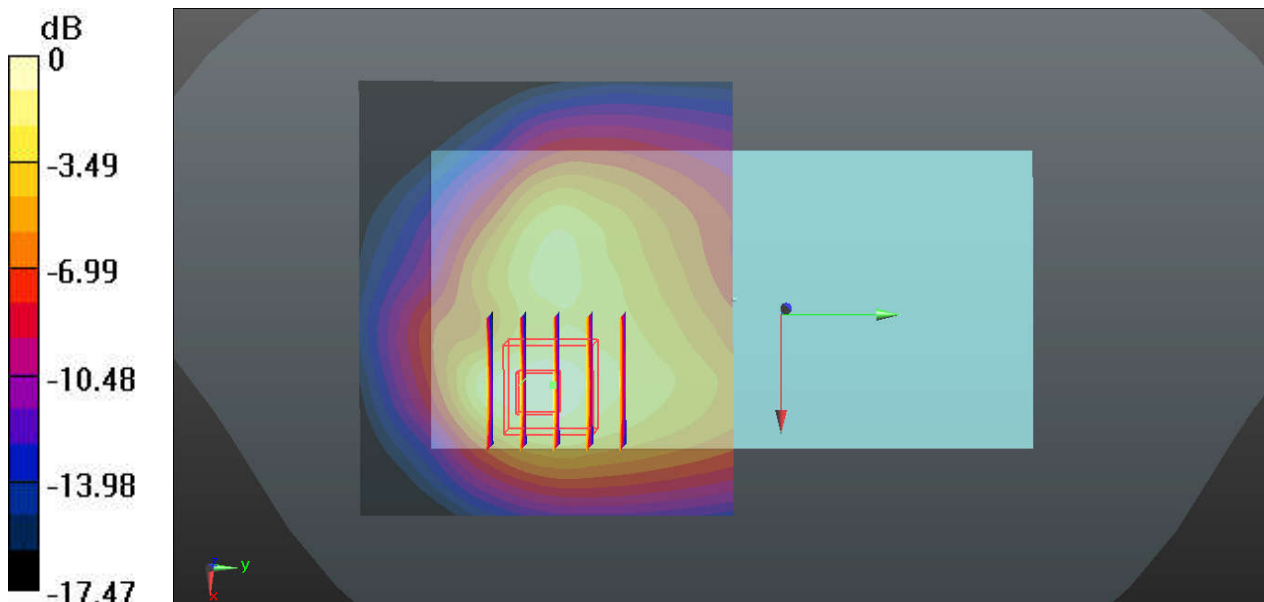
Communication System: UID 0, UMTS (0); Frequency: 1852.4 MHz; Duty Cycle: 1:1  
Medium: MSL\_1900\_161220 Medium parameters used:  $f = 1852.4$  MHz;  $\sigma = 1.478$  S/m;  $\epsilon_r = 52.57$ ;  
 $\rho = 1000$  kg/m<sup>3</sup>  
Ambient Temperature : 23.4 °C; Liquid Temperature : 22.6 °C

#### DASY5 Configuration:

- Probe: EX3DV4 - SN3911; ConvF(8.17, 8.17, 8.17); Calibrated: 2016.09.29;
- Sensor-Surface: 2mm (Mechanical Surface Detection)
- Electronics: DAE4 Sn905; Calibrated: 2016.06.22
- Phantom: SAM (Front) with CRP v5.0; Type: QD000P40CD; Serial: TP:1795
- Measurement SW: DASY52, Version 52.8 (8); SEMCAD X Version 14.6.10 (7331)

**Ch9262/Area Scan (71x61x1):** Interpolated grid: dx=15mm, dy=15mm  
Maximum value of SAR (interpolated) = 1.28 W/kg

**Ch9262/Zoom Scan (5x5x7)/Cube 0:** Measurement grid: dx=8mm, dy=8mm, dz=5mm  
Reference Value = 2.122 V/m; Power Drift = 0.02 dB  
Peak SAR (extrapolated) = 1.61 W/kg  
**SAR(1 g) = 0.938 W/kg; SAR(10 g) = 0.519 W/kg**  
Maximum value of SAR (measured) = 1.28 W/kg



0 dB = 1.28 W/kg

### 15\_LTE Band 5\_10M\_QPSK\_1RB\_25Offset\_Back\_10mm\_Ch20525

Communication System: UID 0, LTE (0); Frequency: 836.5 MHz; Duty Cycle: 1:1  
Medium: MSL\_835\_161220 Medium parameters used:  $f = 836.5$  MHz;  $\sigma = 0.995$  S/m;  $\epsilon_r = 54.561$ ;  
 $\rho = 1000$  kg/m<sup>3</sup>  
Ambient Temperature : 23.4 °C; Liquid Temperature : 22.5 °C

#### DASY5 Configuration:

- Probe: EX3DV4 - SN3911; ConvF(10.19, 10.19, 10.19); Calibrated: 2016.09.29;
- Sensor-Surface: 2mm (Mechanical Surface Detection)
- Electronics: DAE4 Sn905; Calibrated: 2016.06.22
- Phantom: SAM (Front) with CRP v5.0; Type: QD000P40CD; Serial: TP:1795
- Measurement SW: DASY52, Version 52.8 (8); SEMCAD X Version 14.6.10 (7331)

**Ch20525/Area Scan (71x121x1):** Interpolated grid: dx=15mm, dy=15mm  
Maximum value of SAR (interpolated) = 0.629 W/kg

**Ch20525/Zoom Scan (5x5x7)/Cube 0:** Measurement grid: dx=8mm, dy=8mm, dz=5mm  
Reference Value = 2.121 V/m; Power Drift = 0.07 dB  
Peak SAR (extrapolated) = 0.659 W/kg  
**SAR(1 g) = 0.516 W/kg; SAR(10 g) = 0.403 W/kg**  
Maximum value of SAR (measured) = 0.593 W/kg

