

## System Check\_Head\_750MHz

**DUT: D750V3-1078**

Communication System: CW; Frequency: 750 MHz; Duty Cycle: 1:1

Medium: HSL\_750\_160525 Medium parameters used:  $f = 750 \text{ MHz}$ ;  $\sigma = 0.895 \text{ mho/m}$ ;  $\epsilon_r = 41.6$ ;  $\rho = 1000 \text{ kg/m}^3$

Ambient Temperature :  $23.2 \text{ }^\circ\text{C}$ ; Liquid Temperature :  $22.2 \text{ }^\circ\text{C}$

DASY4 Configuration:

- Probe: EX3DV4 - SN7346; ConvF(10.22, 10.22, 10.22); Calibrated: 2015/9/2
- Sensor-Surface: 1.4mm (Mechanical Surface Detection)
- Electronics: DAE4 Sn916; Calibrated: 2015/12/16
- Phantom: SAM\_Right; Type: SAM\_Right; Serial: TP-1303
- ;Postprocessing SW: SEMCAD, V1.8 Build 159

**Pin=250mW/Area Scan (61x61x1):** Measurement grid:  $dx=15\text{mm}$ ,  $dy=15\text{mm}$

Maximum value of SAR (interpolated) =  $2.90 \text{ mW/g}$

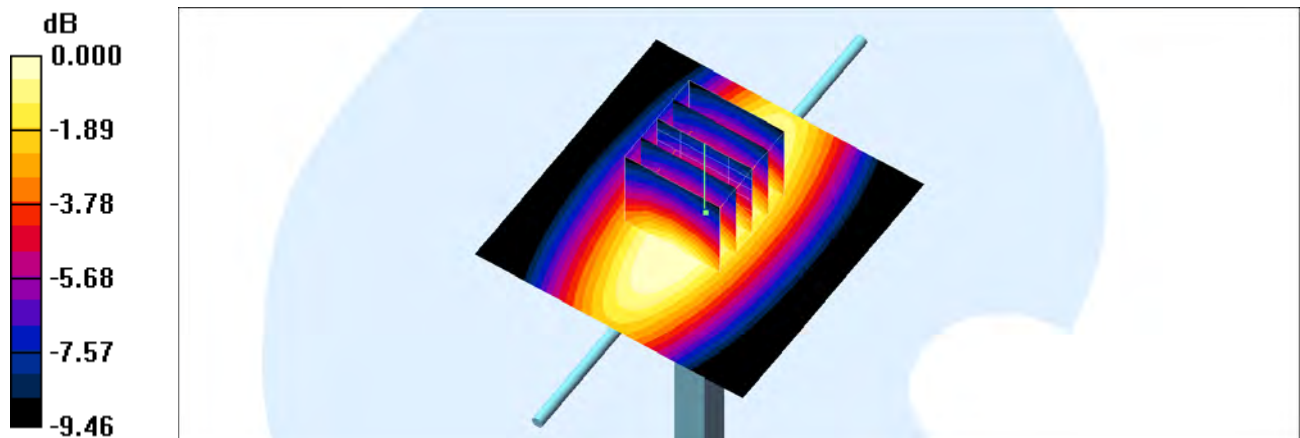
**Pin=250mW/Zoom Scan (5x5x7)/Cube 0:** Measurement grid:  $dx=8\text{mm}$ ,  $dy=8\text{mm}$ ,  $dz=5\text{mm}$

Reference Value =  $58.7 \text{ V/m}$ ; Power Drift =  $-0.072 \text{ dB}$

Peak SAR (extrapolated) =  $2.84 \text{ W/kg}$

**SAR(1 g) =  $2.05 \text{ mW/g}$ ; SAR(10 g) =  $1.4 \text{ mW/g}$**

Maximum value of SAR (measured) =  $2.51 \text{ mW/g}$



0 dB =  $2.51 \text{ mW/g}$

## System Check\_Head\_750MHz

### DUT: D750V3-1012

Communication System: CW; Frequency: 750 MHz; Duty Cycle: 1:1

Medium: HSL\_750\_160709 Medium parameters used:  $f = 750 \text{ MHz}$ ;  $\sigma = 0.874 \text{ S/m}$ ;  $\epsilon_r = 41.763$ ;  $\rho = 1000 \text{ kg/m}^3$

Ambient Temperature :  $23.5 \text{ }^\circ\text{C}$ ; Liquid Temperature :  $22.5 \text{ }^\circ\text{C}$

### DASY5 Configuration

- Probe: EX3DV4 - SN7346; ConvF(10.22, 10.22, 10.22); Calibrated: 2015/9/2;
- Sensor-Surface: 1.4mm (Mechanical Surface Detection)
- Electronics: DAE4 Sn778; Calibrated: 2016/5/12
- Phantom: SAM\_Right; Type: SAM\_Right; Serial: TP-1303
- Measurement SW: DASY52, Version 52.8 (7); SEMCAD X Version 14.6.10 (7164)

**Configuration/Pin=250mW/Area Scan (61x61x1):** Interpolated grid:  $dx=1.500 \text{ mm}$ ,  $dy=1.500 \text{ mm}$

Maximum value of SAR (interpolated) =  $2.84 \text{ W/kg}$

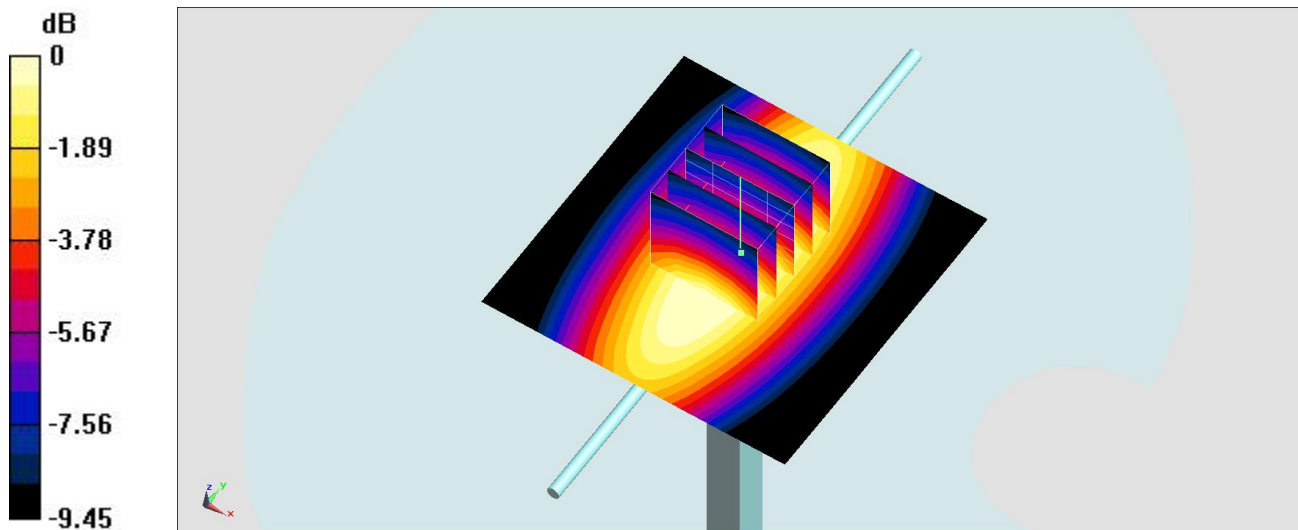
**Configuration/Pin=250mW/Zoom Scan (5x5x7)/Cube 0:** Measurement grid:  $dx=8\text{mm}$ ,  $dy=8\text{mm}$ ,  $dz=5\text{mm}$

Reference Value =  $58.796 \text{ V/m}$ ; Power Drift =  $-0.09 \text{ dB}$

Peak SAR (extrapolated) =  $2.78 \text{ W/kg}$

**SAR(1 g) =  $2.01 \text{ W/kg}$ ; SAR(10 g) =  $1.37 \text{ W/kg}$**

Maximum value of SAR (measured) =  $2.46 \text{ W/kg}$



0 dB =  $2.46 \text{ W/kg} = 3.91 \text{ dBW/kg}$

## System Check\_Body\_750MHz

**DUT: D750V3-1078**

Communication System: CW; Frequency: 750 MHz; Duty Cycle: 1:1

Medium: MSL\_750\_160519 Medium parameters used:  $f = 750 \text{ MHz}$ ;  $\sigma = 0.963 \text{ mho/m}$ ;  $\epsilon_r = 55.1$ ;  $\rho = 1000 \text{ kg/m}^3$

Ambient Temperature :  $23.5 \text{ }^\circ\text{C}$ ; Liquid Temperature :  $22.5 \text{ }^\circ\text{C}$

DASY4 Configuration:

- Probe: EX3DV4 - SN7346; ConvF(10.11, 10.11, 10.11); Calibrated: 2015/9/2
- Sensor-Surface: 1.4mm (Mechanical Surface Detection)
- Electronics: DAE4 Sn916; Calibrated: 2015/12/16
- Phantom: SAM\_Right; Type: SAM\_Right; Serial: TP-1303
- ;Postprocessing SW: SEMCAD, V1.8 Build 159

**Pin=250mW/Area Scan (61x61x1):** Measurement grid:  $dx=15\text{mm}$ ,  $dy=15\text{mm}$

Maximum value of SAR (interpolated) =  $2.72 \text{ mW/g}$

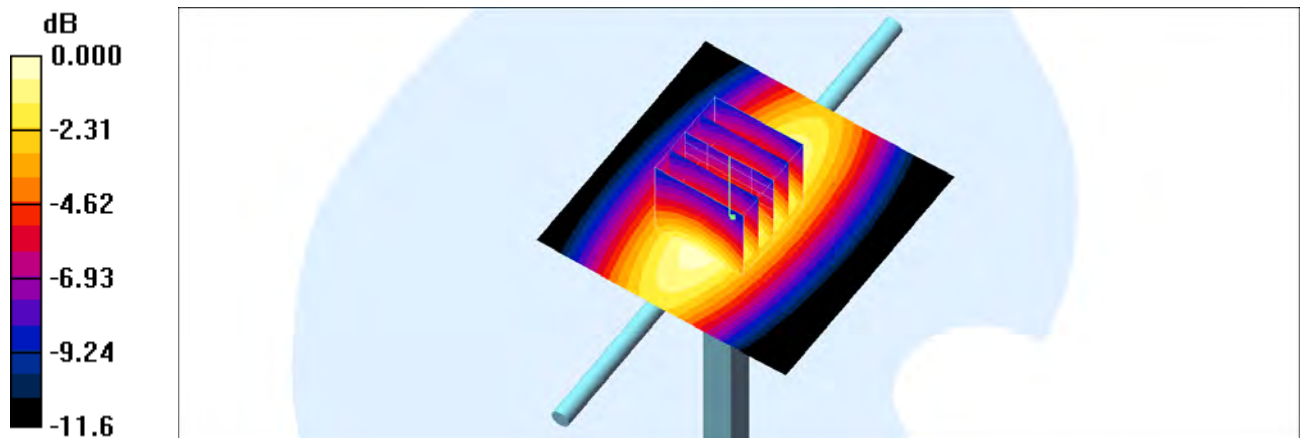
**Pin=250mW/Zoom Scan (5x5x7)/Cube 0:** Measurement grid:  $dx=8\text{mm}$ ,  $dy=8\text{mm}$ ,  $dz=5\text{mm}$

Reference Value =  $54.3 \text{ V/m}$ ; Power Drift =  $-0.022 \text{ dB}$

Peak SAR (extrapolated) =  $3.13 \text{ W/kg}$

**SAR(1 g) =  $2.22 \text{ mW/g}$ ; SAR(10 g) =  $1.51 \text{ mW/g}$**

Maximum value of SAR (measured) =  $2.74 \text{ mW/g}$



0 dB =  $2.74\text{mW/g}$

## System Check\_Body\_750MHz

**DUT: D750V3-1078**

Communication System: CW; Frequency: 750 MHz; Duty Cycle: 1:1

Medium: MSL\_750\_160522 Medium parameters used:  $f = 750 \text{ MHz}$ ;  $\sigma = 0.962 \text{ mho/m}$ ;  $\epsilon_r = 55$ ;  $\rho = 1000 \text{ kg/m}^3$

Ambient Temperature :  $23.3 \text{ }^\circ\text{C}$ ; Liquid Temperature :  $22.3 \text{ }^\circ\text{C}$

DASY4 Configuration:

- Probe: EX3DV4 - SN7346; ConvF(10.11, 10.11, 10.11); Calibrated: 2015/9/2
- Sensor-Surface: 1.4mm (Mechanical Surface Detection)
- Electronics: DAE4 Sn916; Calibrated: 2015/12/16
- Phantom: SAM\_Right; Type: SAM\_Right; Serial: TP-1303
- ;Postprocessing SW: SEMCAD, V1.8 Build 159

**Pin=250mW/Area Scan (61x61x1):** Measurement grid:  $dx=15\text{mm}$ ,  $dy=15\text{mm}$

Maximum value of SAR (interpolated) =  $2.59 \text{ mW/g}$

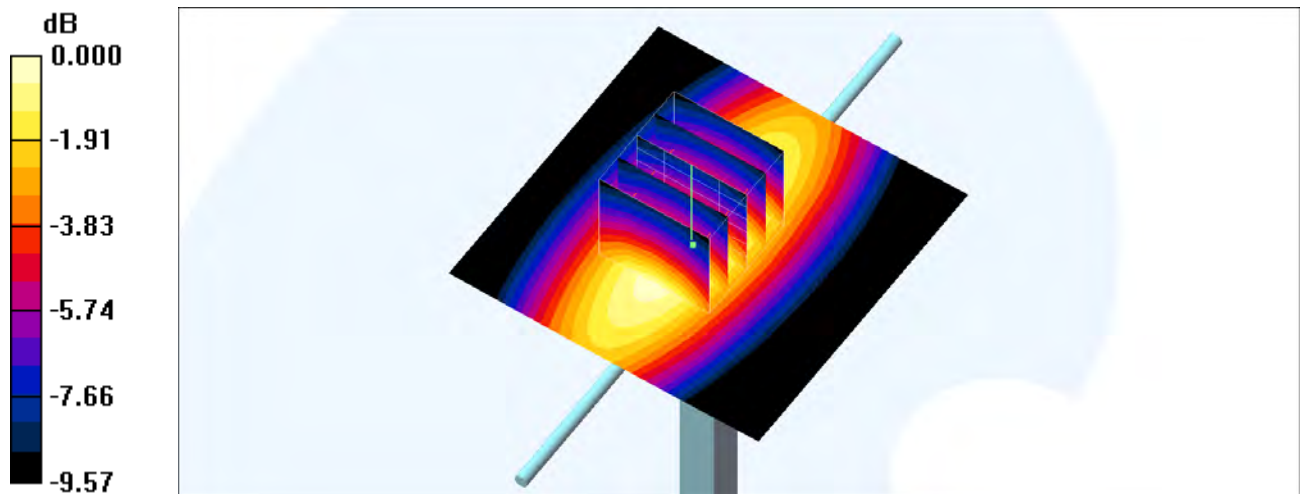
**Pin=250mW/Zoom Scan (5x5x7)/Cube 0:** Measurement grid:  $dx=8\text{mm}$ ,  $dy=8\text{mm}$ ,  $dz=5\text{mm}$

Reference Value =  $52.8 \text{ V/m}$ ; Power Drift =  $-0.015 \text{ dB}$

Peak SAR (extrapolated) =  $3.00 \text{ W/kg}$

**SAR(1 g) =  $2.11 \text{ mW/g}$ ; SAR(10 g) =  $1.43 \text{ mW/g}$**

Maximum value of SAR (measured) =  $2.63 \text{ mW/g}$



0 dB =  $2.63\text{mW/g}$

## System Check\_Body\_750MHz

### DUT: D750V3-1012

Communication System: CW; Frequency: 750 MHz; Duty Cycle: 1:1

Medium: MSL\_750\_160709 Medium parameters used:  $f = 750 \text{ MHz}$ ;  $\sigma = 0.965 \text{ S/m}$ ;  $\epsilon_r = 56.454$ ;  $\rho = 1000 \text{ kg/m}^3$

Ambient Temperature :  $23.5 \text{ }^\circ\text{C}$ ; Liquid Temperature :  $22.5 \text{ }^\circ\text{C}$

### DASY5 Configuration

- Probe: EX3DV4 - SN7346; ConvF(10.11, 10.11, 10.11); Calibrated: 2015/9/2;
- Sensor-Surface: 1.4mm (Mechanical Surface Detection)
- Electronics: DAE4 Sn778; Calibrated: 2016/5/12
- Phantom: SAM\_Right; Type: SAM\_Right; Serial: TP-1303
- Measurement SW: DASY52, Version 52.8 (7); SEMCAD X Version 14.6.10 (7164)

**Configuration/Pin=250mW/Area Scan (61x61x1):** Interpolated grid:  $dx=1.500 \text{ mm}$ ,  $dy=1.500 \text{ mm}$

Maximum value of SAR (interpolated) =  $2.60 \text{ W/kg}$

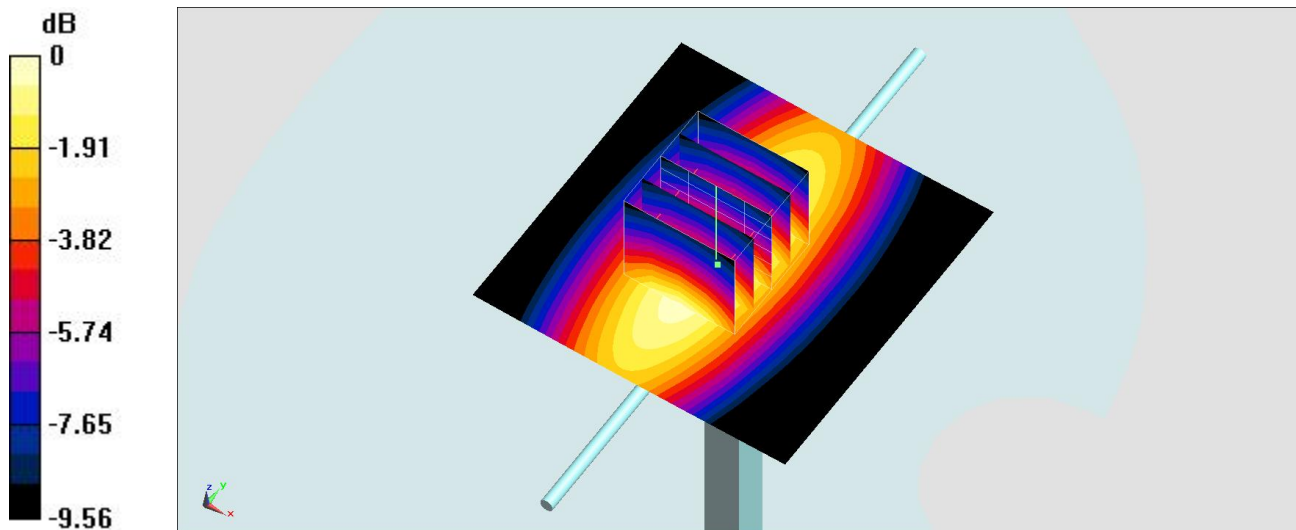
**Configuration/Pin=250mW/Zoom Scan (5x5x7)/Cube 0:** Measurement grid:  $dx=8\text{mm}$ ,  $dy=8\text{mm}$ ,  $dz=5\text{mm}$

Reference Value =  $52.910 \text{ V/m}$ ; Power Drift =  $-0.01 \text{ dB}$

Peak SAR (extrapolated) =  $3.02 \text{ W/kg}$

**SAR(1 g) =  $2.12 \text{ W/kg}$ ; SAR(10 g) =  $1.44 \text{ W/kg}$**

Maximum value of SAR (measured) =  $2.64 \text{ W/kg}$



0 dB =  $2.64 \text{ W/kg} = 4.22 \text{ dBW/kg}$

## System Check\_Head\_835MHz

**DUT: D835V2-499**

Communication System: CW; Frequency: 835 MHz; Duty Cycle: 1:1

Medium: HSL\_850\_160525 Medium parameters used:  $f = 835 \text{ MHz}$ ;  $\sigma = 0.88 \text{ mho/m}$ ;  $\epsilon_r = 42.9$ ;  $\rho = 1000 \text{ kg/m}^3$

Ambient Temperature :  $23.1 \text{ }^\circ\text{C}$ ; Liquid Temperature :  $22.1 \text{ }^\circ\text{C}$

DASY4 Configuration:

- Probe: EX3DV4 - SN7346; ConvF(9.8, 9.8, 9.8); Calibrated: 2015/9/2
- Sensor-Surface: 1.4mm (Mechanical Surface Detection)
- Electronics: DAE4 Sn916; Calibrated: 2015/12/16
- Phantom: SAM\_Right; Type: SAM\_Right; Serial: TP-1303
- ;Postprocessing SW: SEMCAD, V1.8 Build 159

**Pin=250mW/Area Scan (61x61x1):** Measurement grid:  $dx=15\text{mm}$ ,  $dy=15\text{mm}$

Maximum value of SAR (interpolated) =  $3.23 \text{ mW/g}$

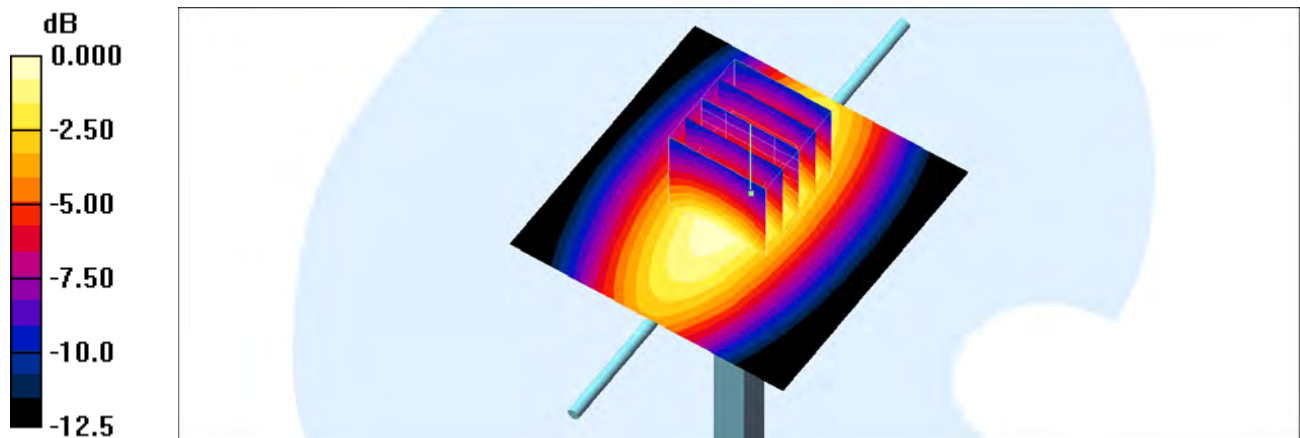
**Pin=250mW/Zoom Scan (5x5x7)/Cube 0:** Measurement grid:  $dx=8\text{mm}$ ,  $dy=8\text{mm}$ ,  $dz=5\text{mm}$

Reference Value =  $62.8 \text{ V/m}$ ; Power Drift =  $-0.020 \text{ dB}$

Peak SAR (extrapolated) =  $3.61 \text{ W/kg}$

**SAR(1 g) =  $2.4 \text{ mW/g}$ ; SAR(10 g) =  $1.58 \text{ mW/g}$**

Maximum value of SAR (measured) =  $3.20 \text{ mW/g}$



0 dB =  $3.20\text{mW/g}$

## System Check\_Body\_835MHz

**DUT: D835V2-499**

Communication System: CW; Frequency: 835 MHz; Duty Cycle: 1:1

Medium: MSL\_850\_160519 Medium parameters used:  $f = 835 \text{ MHz}$ ;  $\sigma = 0.974 \text{ mho/m}$ ;  $\epsilon_r = 57$ ;  $\rho = 1000 \text{ kg/m}^3$

Ambient Temperature :  $23.5 \text{ }^\circ\text{C}$ ; Liquid Temperature :  $22.5 \text{ }^\circ\text{C}$

DASY4 Configuration:

- Probe: EX3DV4 - SN7346; ConvF(10.05, 10.05, 10.05); Calibrated: 2015/9/2
- Sensor-Surface: 1.4mm (Mechanical Surface Detection)
- Electronics: DAE4 Sn916; Calibrated: 2015/12/16
- Phantom: SAM\_Right; Type: SAM\_Right; Serial: TP-1303
- ;Postprocessing SW: SEMCAD, V1.8 Build 159

**Pin=250mW/Area Scan (61x61x1):** Measurement grid:  $dx=15\text{mm}$ ,  $dy=15\text{mm}$

Maximum value of SAR (interpolated) =  $3.55 \text{ mW/g}$

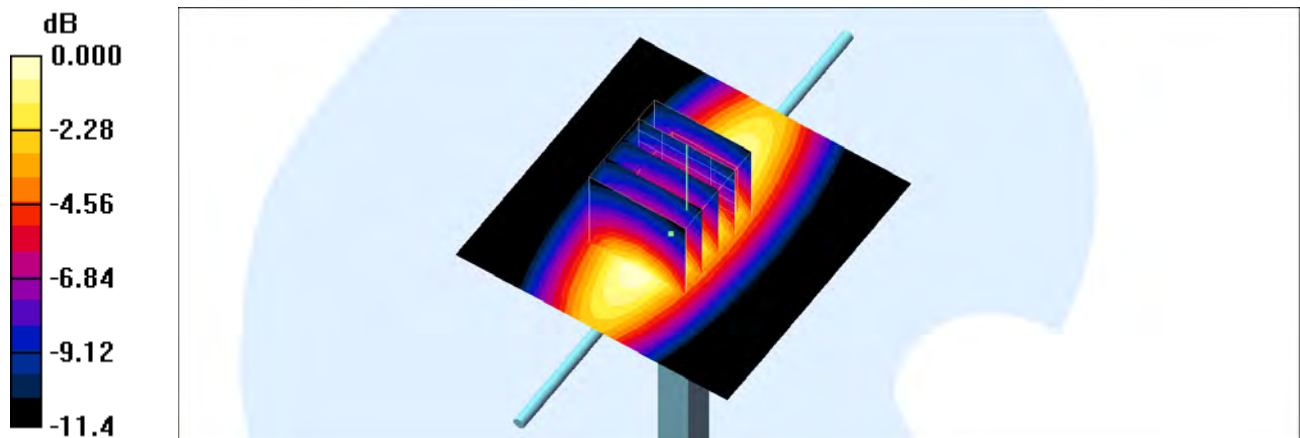
**Pin=250mW/Zoom Scan (5x5x7)/Cube 0:** Measurement grid:  $dx=8\text{mm}$ ,  $dy=8\text{mm}$ ,  $dz=5\text{mm}$

Reference Value =  $62.7 \text{ V/m}$ ; Power Drift =  $0.137 \text{ dB}$

Peak SAR (extrapolated) =  $3.71 \text{ W/kg}$

**SAR(1 g) =  $2.34 \text{ mW/g}$ ; SAR(10 g) =  $1.46 \text{ mW/g}$**

Maximum value of SAR (measured) =  $3.28 \text{ mW/g}$



0 dB =  $3.28\text{mW/g}$

## System Check\_Body\_835MHz

**DUT: D835V2-499**

Communication System: CW; Frequency: 835 MHz; Duty Cycle: 1:1

Medium: MSL\_850\_160521 Medium parameters used:  $f = 835 \text{ MHz}$ ;  $\sigma = 0.978 \text{ mho/m}$ ;  $\epsilon_r = 56.7$ ;  $\rho = 1000 \text{ kg/m}^3$

Ambient Temperature :  $23.5 \text{ }^\circ\text{C}$ ; Liquid Temperature :  $22.5 \text{ }^\circ\text{C}$

DASY4 Configuration:

- Probe: EX3DV4 - SN7346; ConvF(10.05, 10.05, 10.05); Calibrated: 2015/9/2
- Sensor-Surface: 1.4mm (Mechanical Surface Detection)
- Electronics: DAE4 Sn916; Calibrated: 2015/12/16
- Phantom: SAM\_Right; Type: SAM\_Right; Serial: TP-1303
- ;Postprocessing SW: SEMCAD, V1.8 Build 159

**Pin=250mW/Area Scan (61x61x1):** Measurement grid:  $dx=15\text{mm}$ ,  $dy=15\text{mm}$

Maximum value of SAR (interpolated) =  $3.21 \text{ mW/g}$

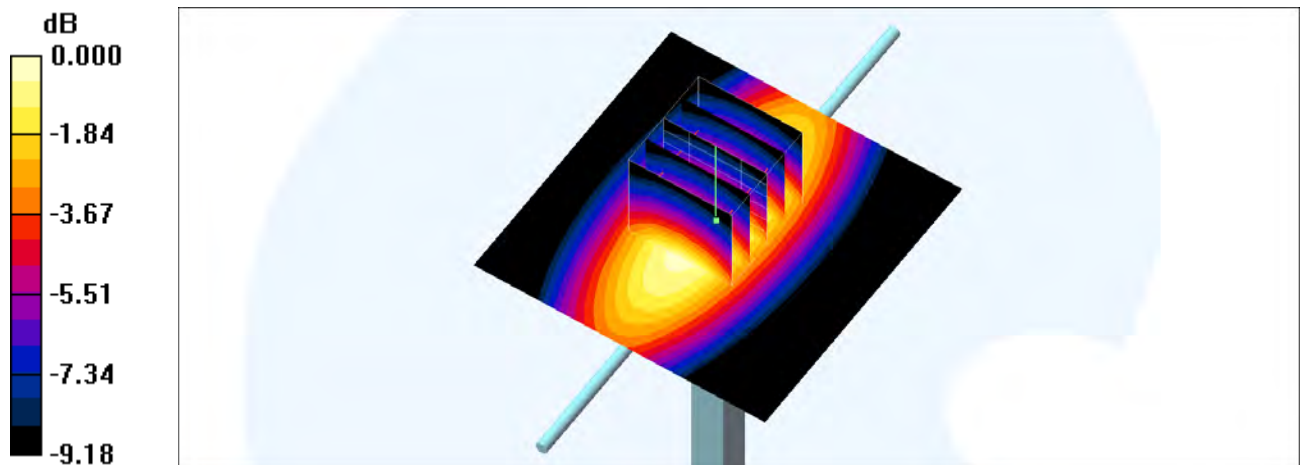
**Pin=250mW/Zoom Scan (5x5x7)/Cube 0:** Measurement grid:  $dx=8\text{mm}$ ,  $dy=8\text{mm}$ ,  $dz=5\text{mm}$

Reference Value =  $58.2 \text{ V/m}$ ; Power Drift =  $-0.002 \text{ dB}$

Peak SAR (extrapolated) =  $3.71 \text{ W/kg}$

**SAR(1 g) =  $2.55 \text{ mW/g}$ ; SAR(10 g) =  $1.69 \text{ mW/g}$**

Maximum value of SAR (measured) =  $3.20 \text{ mW/g}$



0 dB =  $3.20\text{mW/g}$

## System Check\_Head\_1750MHz

**DUT: D1750V2-1068**

Communication System: CW; Frequency: 1750 MHz; Duty Cycle: 1:1

Medium: HSL\_1750\_160523 Medium parameters used:  $f = 1750$  MHz;  $\sigma = 1.36$  mho/m;  $\epsilon_r = 40.4$ ;  $\rho = 1000$  kg/m<sup>3</sup>

Ambient Temperature : 23.3 °C ; Liquid Temperature : 22.3 °C

DASY4 Configuration:

- Probe: EX3DV4 - SN7346; ConvF(8.6, 8.6, 8.6); Calibrated: 2015/9/2
- Sensor-Surface: 1.4mm (Mechanical Surface Detection)
- Electronics: DAE4 Sn916; Calibrated: 2015/12/16
- Phantom: SAM\_Right; Type: SAM\_Right; Serial: TP-1303
- ;Postprocessing SW: SEMCAD, V1.8 Build 159

**Pin=250mW/Area Scan (61x61x1):** Measurement grid: dx=15mm, dy=15mm

Maximum value of SAR (interpolated) = 13.3 mW/g

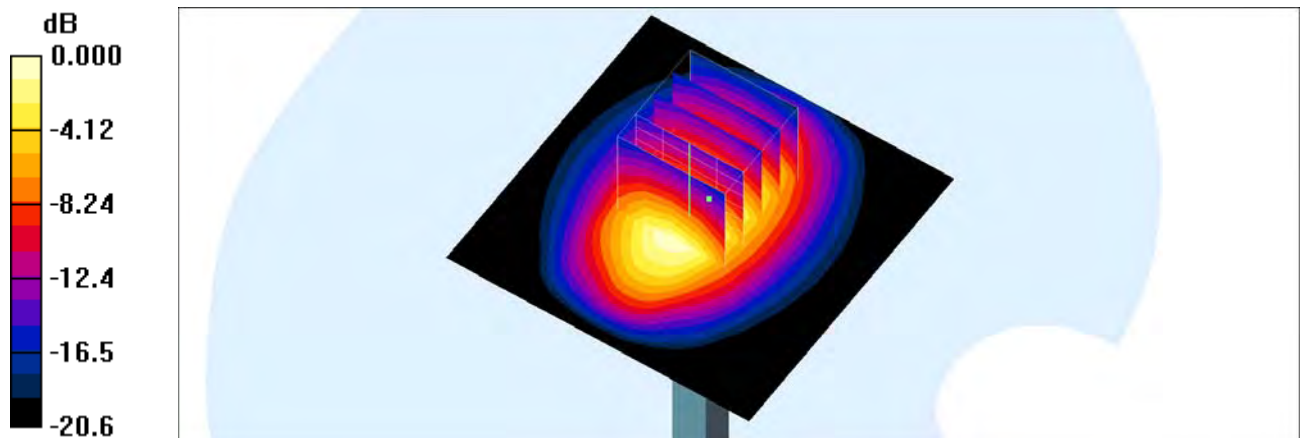
**Pin=250mW/Zoom Scan (5x5x7)/Cube 0:** Measurement grid: dx=8mm, dy=8mm, dz=5mm

Reference Value = 96.7 V/m; Power Drift = -0.006 dB

Peak SAR (extrapolated) = 16.1 W/kg

**SAR(1 g) = 8.84 mW/g; SAR(10 g) = 4.63 mW/g**

Maximum value of SAR (measured) = 12.5 mW/g



0 dB = 12.5mW/g

## System Check\_Head\_1750MHz

**DUT: D1750V2-1068**

Communication System: CW; Frequency: 1750 MHz; Duty Cycle: 1:1

Medium: HSL\_1750\_160705 Medium parameters used:  $f = 1750$  MHz;  $\sigma = 1.363$  S/m;  $\epsilon_r = 39.207$ ;  $\rho = 1000$  kg/m<sup>3</sup>

Ambient Temperature : 23.7 °C; Liquid Temperature : 22.7 °C

DASY5 Configuration:

- Probe: ES3DV3 - SN3270; ConvF(5.32, 5.32, 5.32); Calibrated: 2015/9/28;
- Sensor-Surface: 3mm (Mechanical Surface Detection)
- Electronics: DAE3 Sn577; Calibrated: 2015/9/24
- Phantom: SAM-Right; Type: SAM; Serial: 1795
- Measurement SW: DASY52, Version 52.8 (8); SEMCAD X Version 14.6.10 (7331)

**Pin=250mW/Area Scan (61x61x1):** Interpolated grid: dx=1.500 mm, dy=1.500 mm  
 Maximum value of SAR (interpolated) = 11.7 W/kg

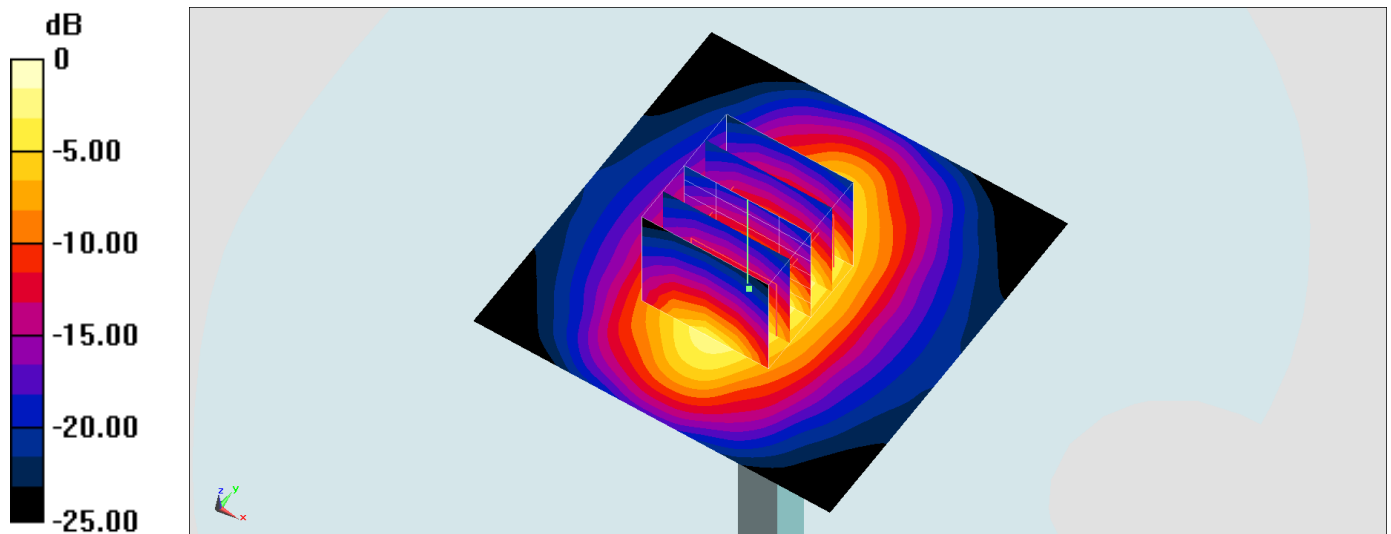
**Pin=250mW/Zoom Scan (5x5x7)/Cube 0:** Measurement grid: dx=8mm, dy=8mm, dz=5mm

Reference Value = 94.26 V/m; Power Drift = -0.04 dB

Peak SAR (extrapolated) = 15.6 W/kg

**SAR(1 g) = 9.08 W/kg; SAR(10 g) = 4.96 W/kg**

Maximum value of SAR (measured) = 11.0 W/kg



0 dB = 11.7 W/kg = 10.68 dBW/kg

## System Check\_Head\_1750MHz

**DUT: D1750V2-1068**

Communication System: CW ; Frequency: 1750 MHz;Duty Cycle: 1:1

Medium: HSL\_1750\_160705 Medium parameters used:  $f = 1750$  MHz;  $\sigma = 1.363$  S/m;  $\epsilon_r = 39.207$ ;  $\rho = 1000$  kg/m<sup>3</sup>

Ambient Temperature : 23.7 °C ; Liquid Temperature : 22.7 °C

DASY5 Configuration:

- Probe: EX3DV4 - SN3925; ConvF(8.57, 8.57, 8.57); Calibrated: 2016/5/26;
- Sensor-Surface: 1.4mm (Mechanical Surface Detection)
- Electronics: DAE3 Sn495; Calibrated: 2016/5/27
- Phantom: SAM-Right; Type: SAM; Serial: 1795
- Measurement SW: DASY52, Version 52.8 (8);SEMCAD X Version 14.6.10 (7331)

**Pin=250mW/Area Scan (61x61x1):** Interpolated grid: dx=1.500 mm, dy=1.500 mm  
 Maximum value of SAR (interpolated) = 12.9 W/kg

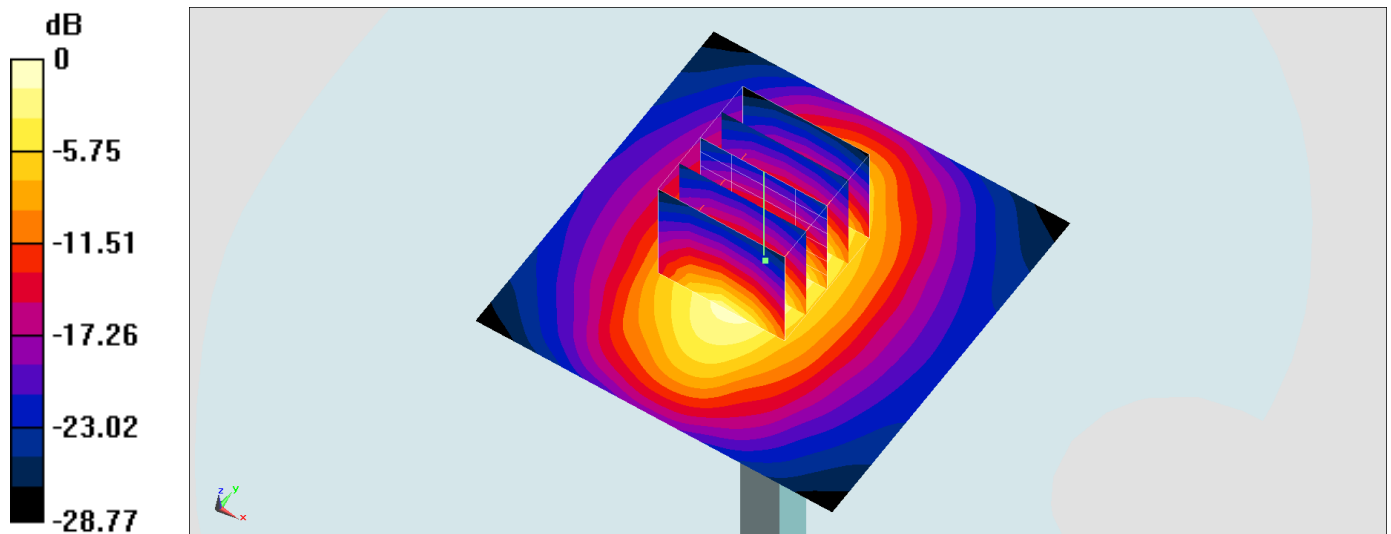
**Pin=250mW/Zoom Scan (5x5x7)/Cube 0:** Measurement grid: dx=8mm, dy=8mm, dz=5mm

Reference Value = 96.70 V/m; Power Drift = 0.13 dB

Peak SAR (extrapolated) = 16.5 W/kg

**SAR(1 g) = 9.25 W/kg; SAR(10 g) = 4.96 W/kg**

Maximum value of SAR (measured) = 12.9 W/kg



0 dB = 12.9 W/kg = 11.11 dBW/kg

## System Check\_Body\_1750MHz

**DUT: D1750V2-1068**

Communication System: CW; Frequency: 1750 MHz; Duty Cycle: 1:1

Medium: MSL\_1750\_160519 Medium parameters used:  $f = 1750 \text{ MHz}$ ;  $\sigma = 1.44 \text{ mho/m}$ ;  $\epsilon_r = 52.8$ ;  $\rho = 1000 \text{ kg/m}^3$

Ambient Temperature :  $23.5 \text{ }^\circ\text{C}$ ; Liquid Temperature :  $22.5 \text{ }^\circ\text{C}$

DASY4 Configuration:

- Probe: EX3DV4 - SN7346; ConvF(8.06, 8.06, 8.06); Calibrated: 2015/9/2
- Sensor-Surface: 1.4mm (Mechanical Surface Detection)
- Electronics: DAE4 Sn916; Calibrated: 2015/12/16
- Phantom: SAM\_Right; Type: SAM\_Right; Serial: TP-1303
- ;Postprocessing SW: SEMCAD, V1.8 Build 159

**Pin=250mW/Area Scan (61x61x1):** Measurement grid:  $dx=15\text{mm}$ ,  $dy=15\text{mm}$

Maximum value of SAR (interpolated) =  $15.0 \text{ mW/g}$

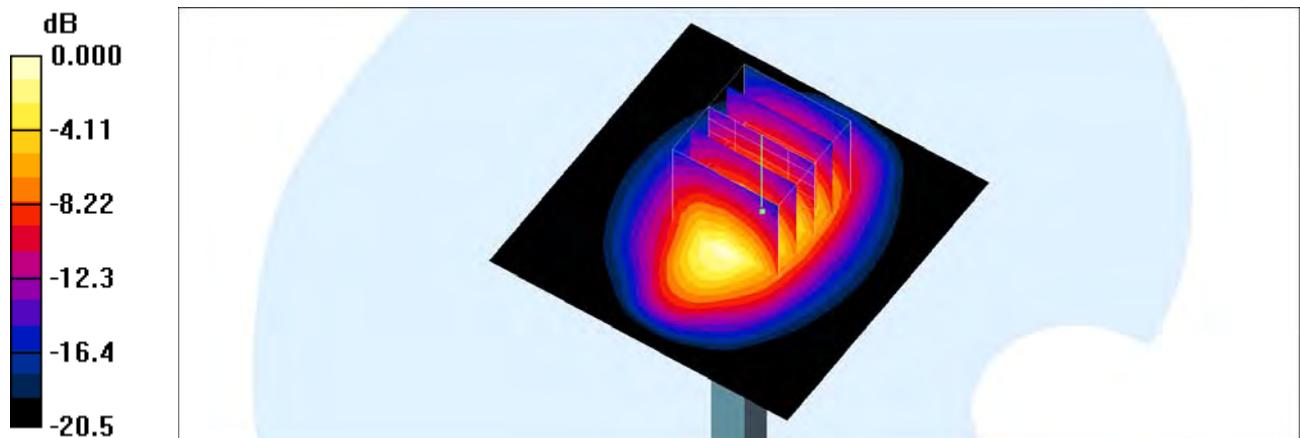
**Pin=250mW/Zoom Scan (5x5x7)/Cube 0:** Measurement grid:  $dx=8\text{mm}$ ,  $dy=8\text{mm}$ ,  $dz=5\text{mm}$

Reference Value =  $99.7 \text{ V/m}$ ; Power Drift =  $0.019 \text{ dB}$

Peak SAR (extrapolated) =  $16.7 \text{ W/kg}$

**SAR(1 g) =  $9.51 \text{ mW/g}$ ; SAR(10 g) =  $5.01 \text{ mW/g}$**

Maximum value of SAR (measured) =  $14.2 \text{ mW/g}$



0 dB =  $14.2\text{mW/g}$

## System Check\_Body\_1750MHz

**DUT: D1750V2-1068**

Communication System: CW; Frequency: 1750 MHz; Duty Cycle: 1:1

Medium: MSL\_1750\_160520 Medium parameters used:  $f = 1750 \text{ MHz}$ ;  $\sigma = 1.43 \text{ mho/m}$ ;  $\epsilon_r = 52.5$ ;  $\rho = 1000 \text{ kg/m}^3$

Ambient Temperature :  $23.5 \text{ }^\circ\text{C}$ ; Liquid Temperature :  $22.5 \text{ }^\circ\text{C}$

DASY4 Configuration:

- Probe: EX3DV4 - SN7346; ConvF(8.06, 8.06, 8.06); Calibrated: 2015/9/2
- Sensor-Surface: 1.4mm (Mechanical Surface Detection)
- Electronics: DAE4 Sn916; Calibrated: 2015/12/16
- Phantom: SAM\_Right; Type: SAM\_Right; Serial: TP-1303
- ;Postprocessing SW: SEMCAD, V1.8 Build 159

**Pin=250mW/Area Scan (61x61x1):** Measurement grid:  $dx=15\text{mm}$ ,  $dy=15\text{mm}$

Maximum value of SAR (interpolated) =  $14.9 \text{ mW/g}$

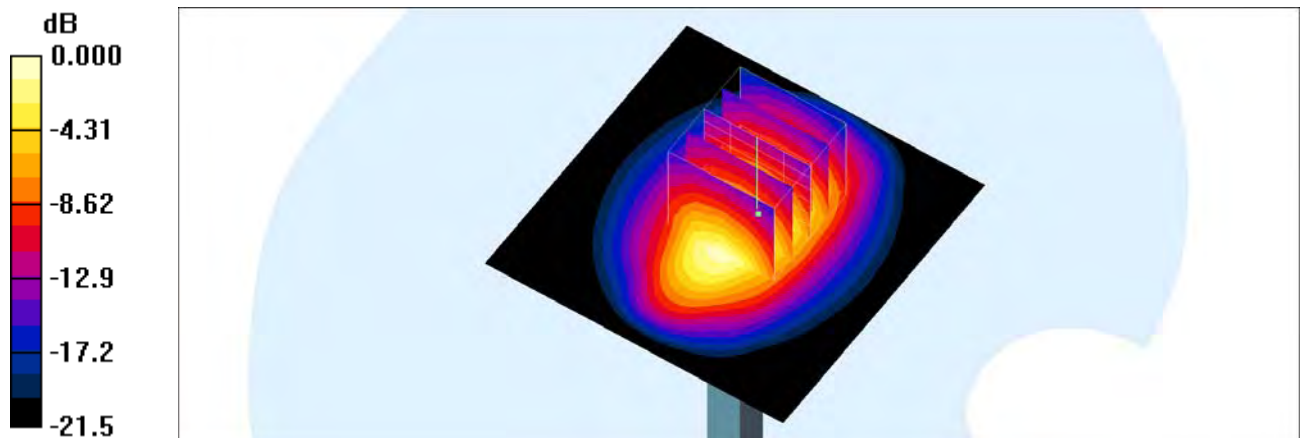
**Pin=250mW/Zoom Scan (5x5x7)/Cube 0:** Measurement grid:  $dx=8\text{mm}$ ,  $dy=8\text{mm}$ ,  $dz=5\text{mm}$

Reference Value =  $99.7 \text{ V/m}$ ; Power Drift =  $0.109 \text{ dB}$

Peak SAR (extrapolated) =  $16.6 \text{ W/kg}$

**SAR(1 g) =  $9.46 \text{ mW/g}$ ; SAR(10 g) =  $4.98 \text{ mW/g}$**

Maximum value of SAR (measured) =  $14.1 \text{ mW/g}$



0 dB =  $14.1 \text{ mW/g}$

## System Check\_Head\_1900MHz

**DUT: D1900V2-5d041**

Communication System: CW; Frequency: 1900 MHz; Duty Cycle: 1:1

Medium: HSL\_1900\_160524 Medium parameters used:  $f = 1900 \text{ MHz}$ ;  $\sigma = 1.46 \text{ mho/m}$ ;  $\epsilon_r = 38.3$ ;  $\rho = 1000 \text{ kg/m}^3$

Ambient Temperature :  $23.3 \text{ }^\circ\text{C}$ ; Liquid Temperature :  $22.3 \text{ }^\circ\text{C}$

DASY4 Configuration:

- Probe: EX3DV4 - SN7346; ConvF(8.33, 8.33, 8.33); Calibrated: 2015/9/2
- Sensor-Surface: 1.4mm (Mechanical Surface Detection)
- Electronics: DAE4 Sn916; Calibrated: 2015/12/16
- Phantom: SAM\_Right; Type: SAM\_Right; Serial: TP-1303
- ;Postprocessing SW: SEMCAD, V1.8 Build 159

**Pin=250mW/Area Scan (61x61x1):** Measurement grid:  $dx=15\text{mm}$ ,  $dy=15\text{mm}$

Maximum value of SAR (interpolated) =  $17.0 \text{ mW/g}$

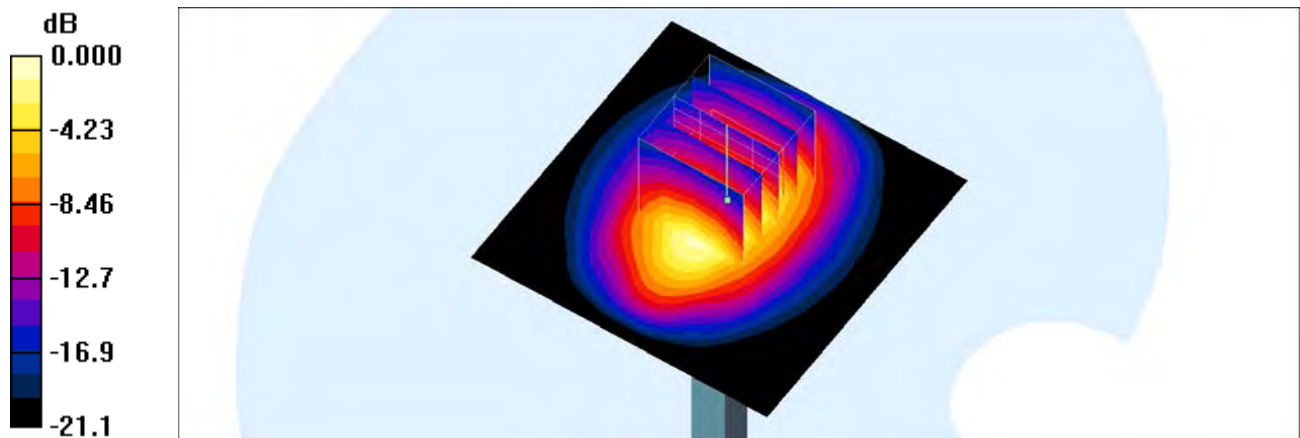
**Pin=250mW/Zoom Scan (5x5x7)/Cube 0:** Measurement grid:  $dx=8\text{mm}$ ,  $dy=8\text{mm}$ ,  $dz=5\text{mm}$

Reference Value =  $109.1 \text{ V/m}$ ; Power Drift =  $-0.001 \text{ dB}$

Peak SAR (extrapolated) =  $19.9 \text{ W/kg}$

**SAR(1 g) =  $10.5 \text{ mW/g}$ ; SAR(10 g) =  $5.37 \text{ mW/g}$**

Maximum value of SAR (measured) =  $16.3 \text{ mW/g}$



0 dB =  $16.3\text{mW/g}$

## System Check\_Head\_1900MHz

**DUT: D1900V2-5d041**

Communication System: CW; Frequency: 1900 MHz; Duty Cycle: 1:1

Medium: HSL\_1900\_160707 Medium parameters used:  $f = 1900 \text{ MHz}$ ;  $\sigma = 1.419 \text{ S/m}$ ;  $\epsilon_r = 38.429$ ;  $\rho = 1000 \text{ kg/m}^3$

Ambient Temperature :  $23.4 \text{ }^\circ\text{C}$ ; Liquid Temperature :  $22.4 \text{ }^\circ\text{C}$

DASY5 Configuration:

- Probe: EX3DV4 - SN3931; ConvF(8.31, 8.31, 8.31); Calibrated: 2015/10/1;
- Sensor-Surface: 1.4mm (Mechanical Surface Detection)
- Electronics: DAE4 Sn778; Calibrated: 2016/5/12
- Phantom: SAM\_Right; Type: QD000P40CD; Serial: S/N:1801
- Measurement SW: DASY52, Version 52.8 (8); SEMCAD X Version 14.6.10 (7331)

**Pin=250mW/Area Scan (61x61x1):** Interpolated grid:  $dx=1.500 \text{ mm}$ ,  $dy=1.500 \text{ mm}$   
 Maximum value of SAR (interpolated) =  $16.9 \text{ W/kg}$

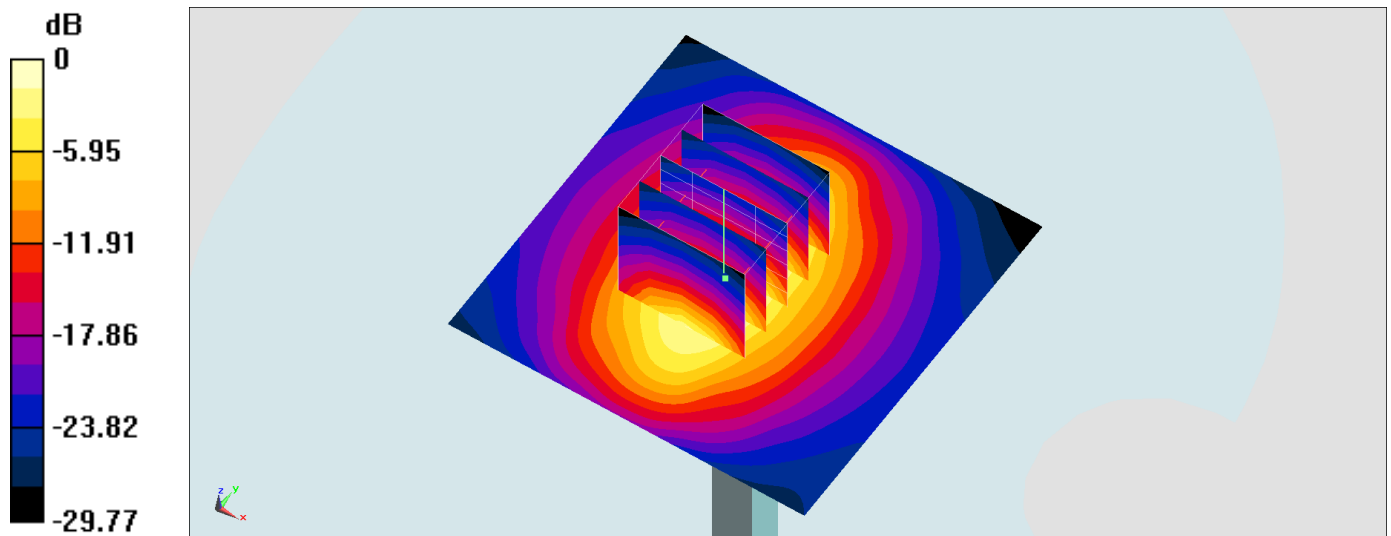
**Pin=250mW/Zoom Scan (5x5x7)/Cube 0:** Measurement grid:  $dx=8\text{mm}$ ,  $dy=8\text{mm}$ ,  $dz=5\text{mm}$

Reference Value =  $109.6 \text{ V/m}$ ; Power Drift =  $-0.06 \text{ dB}$

Peak SAR (extrapolated) =  $19.8 \text{ W/kg}$

**SAR(1 g) =  $10.4 \text{ W/kg}$ ; SAR(10 g) =  $5.38 \text{ W/kg}$**

Maximum value of SAR (measured) =  $16.3 \text{ W/kg}$



0 dB =  $16.9 \text{ W/kg} = 12.28 \text{ dBW/kg}$

## System Check\_Body\_1900MHz

**DUT: D1900V2-5d041**

Communication System: CW; Frequency: 1900 MHz; Duty Cycle: 1:1

Medium: MSL\_1900\_160519 Medium parameters used:  $f = 1900 \text{ MHz}$ ;  $\sigma = 1.56 \text{ mho/m}$ ;  $\epsilon_r = 52.2$ ;  $\rho = 1000 \text{ kg/m}^3$

Ambient Temperature :  $23.5 \text{ }^\circ\text{C}$ ; Liquid Temperature :  $22.5 \text{ }^\circ\text{C}$

DASY4 Configuration:

- Probe: EX3DV4 - SN7346; ConvF(7.77, 7.77, 7.77); Calibrated: 2015/9/2
- Sensor-Surface: 1.4mm (Mechanical Surface Detection)
- Electronics: DAE4 Sn916; Calibrated: 2015/12/16
- Phantom: SAM\_Right; Type: SAM\_Right; Serial: TP-1303
- ;Postprocessing SW: SEMCAD, V1.8 Build 159

**Pin=250mW/Area Scan (61x61x1):** Measurement grid:  $dx=15\text{mm}$ ,  $dy=15\text{mm}$

Maximum value of SAR (interpolated) =  $17.1 \text{ mW/g}$

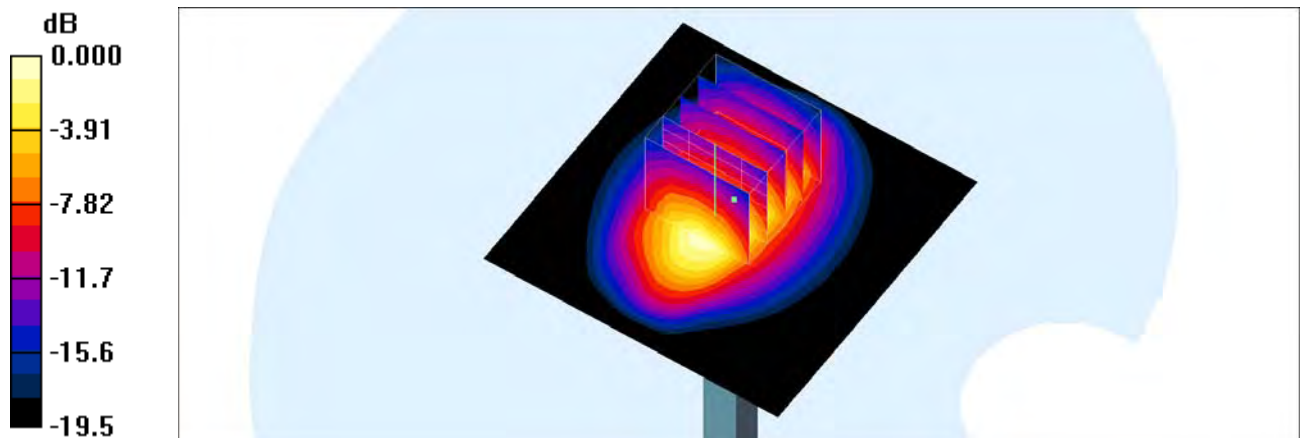
**Pin=250mW/Zoom Scan (5x5x7)/Cube 0:** Measurement grid:  $dx=8\text{mm}$ ,  $dy=8\text{mm}$ ,  $dz=5\text{mm}$

Reference Value =  $102.3 \text{ V/m}$ ; Power Drift =  $-0.019 \text{ dB}$

Peak SAR (extrapolated) =  $19.2 \text{ W/kg}$

**SAR(1 g) =  $10.8 \text{ mW/g}$ ; SAR(10 g) =  $5.71 \text{ mW/g}$**

Maximum value of SAR (measured) =  $16.0 \text{ mW/g}$



0 dB =  $16.0 \text{ mW/g}$

## System Check\_Body\_1900MHz

**DUT: D1900V2-5d041**

Communication System: CW; Frequency: 1900 MHz; Duty Cycle: 1:1

Medium: MSL\_1900\_160520 Medium parameters used:  $f = 1900 \text{ MHz}$ ;  $\sigma = 1.58 \text{ mho/m}$ ;  $\epsilon_r = 53.6$ ;  $\rho = 1000 \text{ kg/m}^3$

Ambient Temperature :  $23.5 \text{ }^\circ\text{C}$ ; Liquid Temperature :  $22.5 \text{ }^\circ\text{C}$

DASY4 Configuration:

- Probe: EX3DV4 - SN7346; ConvF(7.77, 7.77, 7.77); Calibrated: 2015/9/2
- Sensor-Surface: 1.4mm (Mechanical Surface Detection)
- Electronics: DAE4 Sn916; Calibrated: 2015/12/16
- Phantom: SAM\_Right; Type: SAM\_Right; Serial: TP-1303
- ;Postprocessing SW: SEMCAD, V1.8 Build 159

**Pin=250mW/Area Scan (61x61x1):** Measurement grid:  $dx=15\text{mm}$ ,  $dy=15\text{mm}$

Maximum value of SAR (interpolated) =  $17.0 \text{ mW/g}$

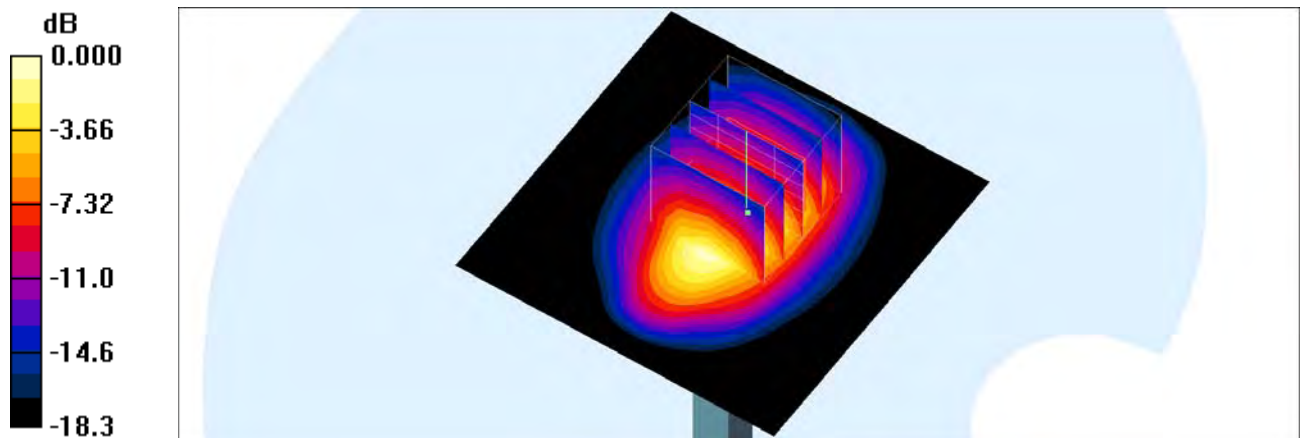
**Pin=250mW/Zoom Scan (5x5x7)/Cube 0:** Measurement grid:  $dx=8\text{mm}$ ,  $dy=8\text{mm}$ ,  $dz=5\text{mm}$

Reference Value =  $101.5 \text{ V/m}$ ; Power Drift =  $0.045 \text{ dB}$

Peak SAR (extrapolated) =  $19.1 \text{ W/kg}$

**SAR(1 g) =  $10.8 \text{ mW/g}$ ; SAR(10 g) =  $5.7 \text{ mW/g}$**

Maximum value of SAR (measured) =  $16.2 \text{ mW/g}$



## System Check\_Head\_2450MHz

**DUT: D2450V2-736**

Communication System: CW; Frequency: 2450 MHz; Duty Cycle: 1:1

Medium: HSL\_2450\_160517 Medium parameters used:  $f = 2450$  MHz;  $\sigma = 1.74$  mho/m;  $\epsilon_r = 38$ ;  $\rho = 1000$  kg/m<sup>3</sup>

Ambient Temperature : 23.5 °C ; Liquid Temperature : 22.5 °C

DASY4 Configuration:

- Probe: EX3DV4 - SN7346; ConvF(7.27, 7.27, 7.27); Calibrated: 2015/9/2
- Sensor-Surface: 1.4mm (Mechanical Surface Detection)
- Electronics: DAE4 Sn916; Calibrated: 2015/12/16
- Phantom: SAM\_Right; Type: SAM\_Right; Serial: TP-1303
- ;Postprocessing SW: SEMCAD, V1.8 Build 159

**Pin=250mW/Area Scan (61x61x1):** Measurement grid: dx=12mm, dy=12mm

Maximum value of SAR (interpolated) = 21.2 mW/g

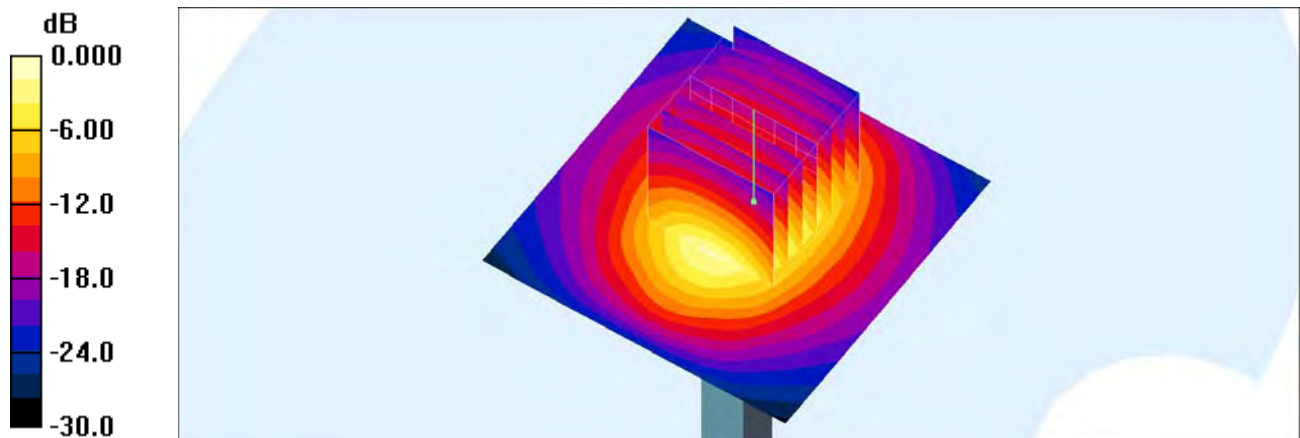
**Pin=250mW/Zoom Scan (7x7x7)/Cube 0:** Measurement grid: dx=5mm, dy=5mm, dz=5mm

Reference Value = 107.1 V/m; Power Drift = -0.028 dB

Peak SAR (extrapolated) = 27.1 W/kg

**SAR(1 g) = 12.8 mW/g; SAR(10 g) = 5.81 mW/g**

Maximum value of SAR (measured) = 19.6 mW/g



0 dB = 19.6mW/g

## System Check\_Body\_2450MHz

**DUT: D2450V2-736**

Communication System: CW; Frequency: 2450 MHz; Duty Cycle: 1:1

Medium: MSL\_2450\_160523 Medium parameters used:  $f = 2450$  MHz;  $\sigma = 1.94$  mho/m;  $\epsilon_r = 53.4$ ;  $\rho = 1000$  kg/m<sup>3</sup>

Ambient Temperature : 23.3 °C ; Liquid Temperature : 22.3 °C

DASY4 Configuration:

- Probe: EX3DV4 - SN7346; ConvF(7.43, 7.43, 7.43); Calibrated: 2015/9/2
- Sensor-Surface: 1.4mm (Mechanical Surface Detection)
- Electronics: DAE4 Sn916; Calibrated: 2015/12/16
- Phantom: SAM\_Right; Type: SAM\_Right; Serial: TP-1303
- ;Postprocessing SW: SEMCAD, V1.8 Build 159

**Pin=250mW/Area Scan (61x61x1):** Measurement grid: dx=12mm, dy=12mm

Maximum value of SAR (interpolated) = 18.0 mW/g

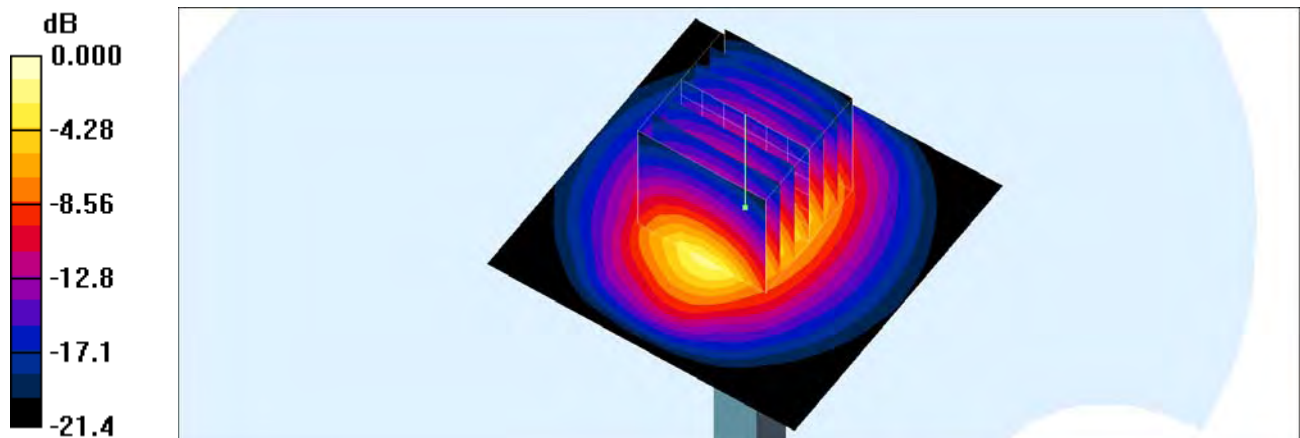
**Pin=250mW/Zoom Scan (7x7x7)/Cube 0:** Measurement grid: dx=5mm, dy=5mm, dz=5mm

Reference Value = 95.1 V/m; Power Drift = 0.054 dB

Peak SAR (extrapolated) = 23.7 W/kg

**SAR(1 g) = 11.7 mW/g; SAR(10 g) = 5.49 mW/g**

Maximum value of SAR (measured) = 17.8 mW/g



0 dB = 17.8mW/g

## System Check\_Body\_2450MHz

**DUT: D2450V2-736**

Communication System: CW; Frequency: 2450 MHz; Duty Cycle: 1:1

Medium: MSL\_2450\_160526 Medium parameters used:  $f = 2450$  MHz;  $\sigma = 2$  mho/m;  $\epsilon_r = 54.3$ ;  $\rho = 1000$  kg/m<sup>3</sup>

Ambient Temperature : 23.4 °C ; Liquid Temperature : 22.4 °C

DASY4 Configuration:

- Probe: EX3DV4 - SN7346; ConvF(7.43, 7.43, 7.43); Calibrated: 2015/9/2
- Sensor-Surface: 1.4mm (Mechanical Surface Detection)
- Electronics: DAE4 Sn916; Calibrated: 2015/12/16
- Phantom: SAM\_Right; Type: SAM\_Right; Serial: TP-1303
- ;Postprocessing SW: SEMCAD, V1.8 Build 159

**Pin=250mW/Area Scan (61x61x1):** Measurement grid: dx=12mm, dy=12mm

Maximum value of SAR (interpolated) = 18.5 mW/g

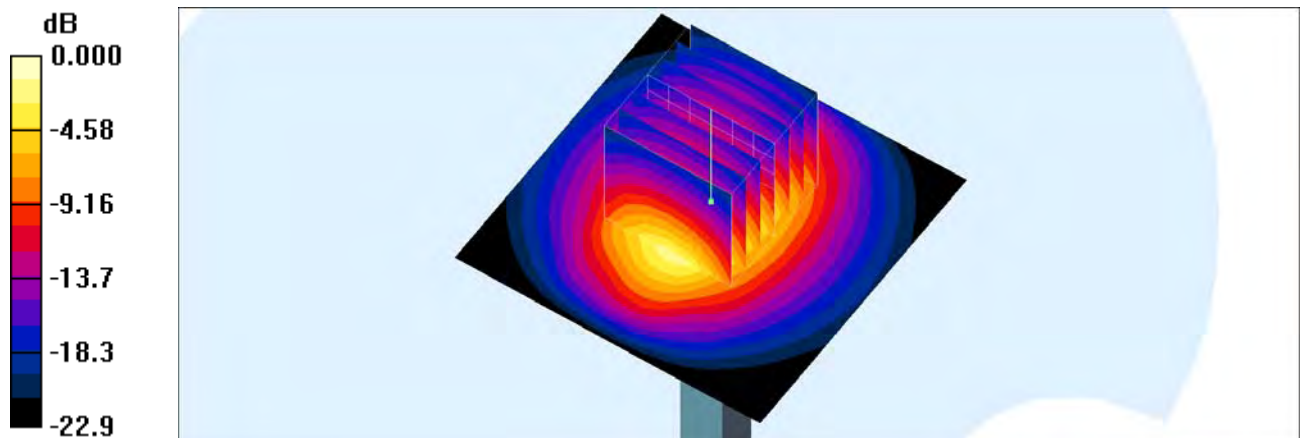
**Pin=250mW/Zoom Scan (7x7x7)/Cube 0:** Measurement grid: dx=5mm, dy=5mm, dz=5mm

Reference Value = 95.1 V/m; Power Drift = 0.011 dB

Peak SAR (extrapolated) = 24.4 W/kg

**SAR(1 g) = 12.1 mW/g; SAR(10 g) = 5.67 mW/g**

Maximum value of SAR (measured) = 18.3 mW/g



0 dB = 18.3mW/g

## System Check\_Head\_2600MHz

**DUT: D2600V2-1008**

Communication System: CW; Frequency: 2600 MHz; Duty Cycle: 1:1

Medium: HSL\_2600\_160517 Medium parameters used:  $f = 2600 \text{ MHz}$ ;  $\sigma = 1.91 \text{ mho/m}$ ;  $\epsilon_r = 37.5$ ;  $\rho = 1000 \text{ kg/m}^3$

Ambient Temperature :  $23.5 \text{ }^\circ\text{C}$ ; Liquid Temperature :  $22.5 \text{ }^\circ\text{C}$

DASY4 Configuration:

- Probe: EX3DV4 - SN7346; ConvF(7.15, 7.15, 7.15); Calibrated: 2015/9/2
- Sensor-Surface: 1.4mm (Mechanical Surface Detection)
- Electronics: DAE4 Sn916; Calibrated: 2015/12/16
- Phantom: SAM\_Right; Type: SAM\_Right; Serial: TP-1303
- ;Postprocessing SW: SEMCAD, V1.8 Build 159

**Pin=250mW/Area Scan (61x61x1):** Measurement grid:  $dx=12\text{mm}$ ,  $dy=12\text{mm}$

Maximum value of SAR (interpolated) =  $26.5 \text{ mW/g}$

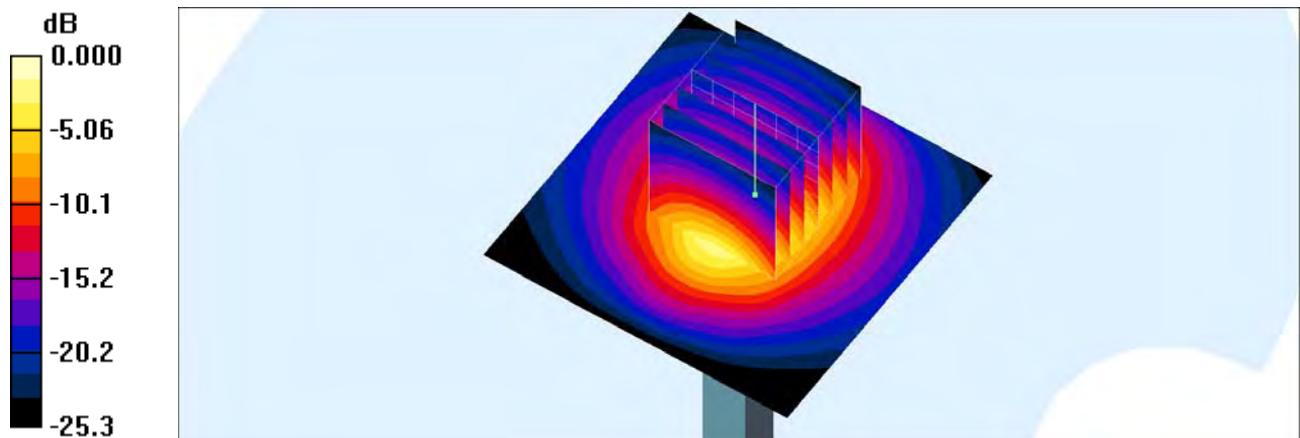
**Pin=250mW/Zoom Scan (7x7x7)/Cube 0:** Measurement grid:  $dx=5\text{mm}$ ,  $dy=5\text{mm}$ ,  $dz=5\text{mm}$

Reference Value =  $113.1 \text{ V/m}$ ; Power Drift =  $-0.020 \text{ dB}$

Peak SAR (extrapolated) =  $31.0 \text{ W/kg}$

**SAR(1 g) =  $13.8 \text{ mW/g}$ ; SAR(10 g) =  $6 \text{ mW/g}$**

Maximum value of SAR (measured) =  $24.4 \text{ mW/g}$



## System Check\_Body\_2600MHz

### DUT: D2600V2-1008

Communication System: CW; Frequency: 2600 MHz; Duty Cycle: 1:1

Medium: MSL\_2600\_160518 Medium parameters used:  $f = 2600$  MHz;  $\sigma = 2.2$  mho/m;  $\epsilon_r = 52.5$ ;  $\rho = 1000$  kg/m<sup>3</sup>

Ambient Temperature : 23.3 °C ; Liquid Temperature : 22.3 °C

#### DASY4 Configuration:

- Probe: EX3DV4 - SN7346; ConvF(7.29, 7.29, 7.29); Calibrated: 2015/9/2
- Sensor-Surface: 1.4mm (Mechanical Surface Detection)
- Electronics: DAE4 Sn916; Calibrated: 2015/12/16
- Phantom: SAM\_Right; Type: SAM\_Right; Serial: TP-1303
- ;Postprocessing SW: SEMCAD, V1.8 Build 159

**Pin=250mW/Area Scan (61x61x1):** Measurement grid: dx=12mm, dy=12mm

Maximum value of SAR (interpolated) = 26.9 mW/g

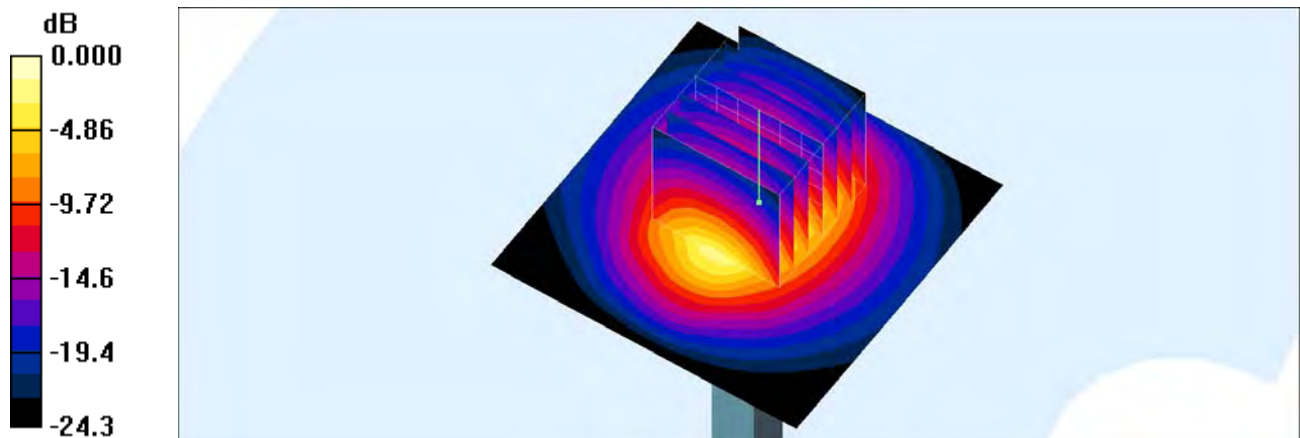
**Pin=250mW/Zoom Scan (7x7x7)/Cube 0:** Measurement grid: dx=5mm, dy=5mm, dz=5mm

Reference Value = 107.1 V/m; Power Drift = -0.035 dB

Peak SAR (extrapolated) = 31.6 W/kg

**SAR(1 g) = 14.4 mW/g; SAR(10 g) = 6.29 mW/g**

Maximum value of SAR (measured) = 24.7 mW/g



0 dB = 24.7mW/g