



FCC RF Test Report

APPLICANT : Motorola Mobility LLC.
EQUIPMENT : Mobile Cellular Phone
BRAND NAME : Motorola
MODEL NAME : 7383
FCC ID : IHDT56VD4
STANDARD : FCC 47 CFR Part 2, and 90(S)
CLASSIFICATION : PCS Licensed Transmitter Held to Ear (PCE)

The product was received on May 10, 2016 and testing was completed on Jun. 01, 2016. We, SPORTON INTERNATIONAL INC., would like to declare that the tested sample has been evaluated in accordance with the procedures given in ANSI / TIA / EIA-603-D-2010 and shown compliance with the applicable technical standards.

The test results in this report apply exclusively to the tested model / sample. Without written approval of SPORTON INTERNATIONAL INC., the test report shall not be reproduced except in full.

Reviewed by: Joseph Lin / Supervisor

Approved by: Jones Tsai / Manager



SPORTON INTERNATIONAL INC.

No. 52, Hwa Ya 1st Rd., Hwa Ya Technology Park, Kwei-Shan District, Tao Yuan City, Taiwan, R.O.C.



TABLE OF CONTENTS

REVISION HISTORY..... 3

SUMMARY OF TEST RESULT 4

1 GENERAL DESCRIPTION 5

 1.1 Applicant..... 5

 1.2 Manufacturer 5

 1.3 Feature of Equipment Under Test..... 5

 1.4 Product Specification of Equipment Under Test 6

 1.5 Modification of EUT 6

 1.6 Maximum Conducted Power, Frequency Tolerance, and Emission Designator..... 6

 1.7 Testing Site..... 7

 1.8 Applied Standards 7

2 TEST CONFIGURATION OF EQUIPMENT UNDER TEST 8

 2.1 Test Mode..... 8

 2.2 Connection Diagram of Test System 9

 2.3 Support Unit used in test configuration 9

 2.4 Measurement Results Explanation Example 9

3 TEST RESULT 10

 3.1 Conducted Output Power Measurement..... 10

 3.2 Bandwidth Limitations Measurement 11

 3.3 Emissions Mask Measurement 12

 3.4 Emissions Mask – Out Of Band Emissions Measurement..... 14

 3.5 Field Strength of Spurious Radiation Measurement 16

 3.6 Frequency Stability Measurement..... 19

4 LIST OF MEASURING EQUIPMENT 21

5 UNCERTAINTY OF EVALUATION 22

APPENDIX A. TEST RESULTS OF CONDUCTED TEST

APPENDIX B . TEST RESULTS OF RADIATED TEST



REVISION HISTORY

REPORT NO.	VERSION	DESCRIPTION	ISSUED DATE
FW651006A	Rev. 01	Initial issue of report	Jun. 03, 2016



SUMMARY OF TEST RESULT

Report Section	FCC Rule	Description	Limit	Result	Remark
3.1	§2.1046 §90.635	Conducted Output Power	< 100 Watts	PASS	-
3.2	§2.1049 §90.209	Bandwidth limitations	N/A (Reporting only)	PASS	-
3.3	§2.1051 §90.691	Emission masks – In-band emissions	< 50+10log ₁₀ (P[Watts])	PASS	-
3.4	§2.1051 §90.691	Emission masks – Out of band emissions	< 43+10log ₁₀ (P[Watts])	PASS	-
3.5	§2.1053 §90.691	Field Strength of Spurious Radiation	< 43+10log ₁₀ (P[Watts])	PASS	Under limit 40.32 dB at 1640.000 MHz
3.6	§2.1055 §90.213	Frequency Stability for Temperature & Voltage	< 2.5 ppm	PASS	-



1 General Description

1.1 Applicant

Motorola Mobility LLC.
222 W. Merchandise Mart Plaza, Chicago IL 60654 USA

1.2 Manufacturer

Motorola Mobility, LLC
222 W. Merchandise Mart Plaza, Chicago IL 60654 USA

1.3 Feature of Equipment Under Test

Product Feature & Specification	
Equipment	Mobile Cellular Phone
Brand Name	Motorola
Model Name	7383
FCC ID	IHDT56VD4
IMEI Code	354140070005042
EUT supports Radios application	CDMA/EV-DO/GSM/EGPRS/WCDMA/HSPA/LTE/FM WLAN 11b/g/n HT20 Bluetooth v3.0 EDR Bluetooth v4.1 LE
HW Version	DVT2-A
SW Version	fastboot_harpia_oem_userdebug_6.0.1_MPI24.223_217 3_intcfg-test-keys_oem.tar.gz
EUT Stage	Identical Prototype

Remark: The above EUT's information was declared by manufacturer. Please refer to the specifications or user's manual for more detailed description.

Accessory List	
AC Adapter 1	Brand Name : Motorola
	Model Name : SPN5945A
AC Adapter 2	Brand Name : Motorola
	Model Name : SPN5838A
Battery 1	Brand Name : Motorola
	Model Name : SNN5976A
Battery 2	Brand Name : Motorola
	Model Name : SNN5977A
Earphone	Brand Name : Motorola
	Model Name : SJYN1181B
USB Cable	Brand Name : Motorola
	Model Name : SKN6462A



1.4 Product Specification of Equipment Under Test

Product Specification subjective to this standard	
Tx Frequency	817.9 MHz ~ 823.1 MHz
Rx Frequency	862.9 MHz ~ 868.1 MHz
Maximum Output Power to Antenna	24.00 dBm
Antenna Type	PIFA Antenna
Type of Modulation	CDMA2000 : QPSK CDMA2000 1xEV-DO : QPSK/8PSK

Remark: This test report recorded only product characteristics and test results of PCS Licensed Transmitter Held to Ear (PCE).

1.5 Modification of EUT

No modifications are made to the EUT during all test items.

1.6 Maximum Conducted Power, Frequency Tolerance, and Emission Designator

FCC Rule	System	Type of Modulation	Maximum Conducted Power (W)	Frequency Tolerance (ppm)	Emission Designator
Part 90(S)	CDMA2000 BC10 1xRTT	QPSK	0.2512	0.0280 ppm	1M28F9W
Part 90(S)	CDMA2000 BC10 1xEV-DO Rev. A	QPSK	0.1271	0.0305 ppm	1M28F9W



1.7 Testing Site

Sporton Lab is accredited to ISO 17025 by Taiwan Accreditation Foundation (TAF code : 1190) and the FCC designation No. TW1022 under the FCC 2.948(e) by Mutual Recognition Agreement (MRA) in FCC Test.

Test Site	SPORTON INTERNATIONAL INC.
Test Site Location	No. 52, Hwa Ya 1 st Rd., Hwa Ya Technology Park, Kwei-Shan District, Tao Yuan City, Taiwan, R.O.C. TEL: +886-3-327-3456 FAX: +886-3-328-4978
Test Site No.	Sporton Site No.
	TH03-HY

Test Site	SPORTON INTERNATIONAL INC.
Test Site Location	No.58, Aly. 75, Ln. 564, Wenhua 3rd Rd. Guishan Dist, Taoyuan City, Taiwan (R.O.C.) TEL: +886-3-327-0868 FAX: +886-3-327-0855
Test Site No.	Sporton Site No.
	03CH13-HY

1.8 Applied Standards

According to the specifications of the manufacturer, the EUT must comply with the requirements of the following standards:

- ♦ FCC 47 CFR Part 2, 90
- ♦ ANSI / TIA / EIA-603-D-2010
- ♦ FCC KDB 971168 D01 Power Meas. License Digital Systems v02r02

Remark:

1. All test items were verified and recorded according to the standards and without any deviation during the test.
2. This EUT has also been tested and complied with the requirements of FCC Part 15, Subpart B, recorded in a separate test report.



2 Test Configuration of Equipment Under Test

2.1 Test Mode

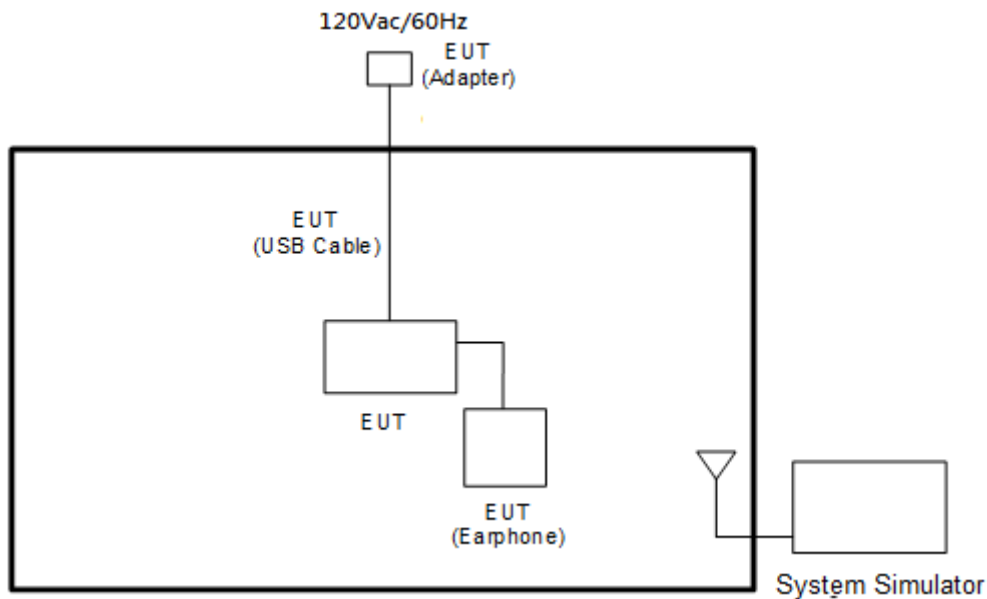
Antenna port conducted and radiated test items were performed according to KDB 971168 D01 Power Meas. License Digital Systems v02r02 with maximum output power.

Radiated measurements were performed with rotating EUT in different three orthogonal test planes to find the maximum emission.

Frequency range investigated for radiated emission is 30 MHz to 9000 MHz for CDMA2000 BC10.

Test Modes		
Band	Radiated TCs	Conducted TCs
CDMA2000 BC10	<ul style="list-style-type: none">■ 1xRTT Link■ 1xEV-DO Rev. A Link	<ul style="list-style-type: none">■ 1xRTT Link■ 1xEV-DO Rev. A Link

2.2 Connection Diagram of Test System



2.3 Support Unit used in test configuration

Item	Equipment	Trade Name	Model No.	FCC ID	Data Cable	Power Cord
1.	System Simulator	R&S	CMU 200	N/A	N/A	Unshielded, 1.8 m

2.4 Measurement Results Explanation Example

For all conducted test items:

The offset level is set in the spectrum analyzer to compensate the RF cable loss and attenuator factor between RF conducted output port and spectrum analyzer. With the offset compensation, the spectrum analyzer reading level will be exactly the RF output level.

The spectrum analyzer offset is derived from RF cable loss and attenuator factor.

Offset = RF cable loss + attenuator factor.

The following shows an offset computation example with RF cable loss 4.2 dB and a 10dB attenuator.

Example :

$$\begin{aligned} \text{Offset(dB)} &= \text{RF cable loss(dB)} + \text{attenuator factor(dB)} \\ &= 4.2 + 10 = 14.2 \text{ (dB)} \end{aligned}$$

3 Test Result

3.1 Conducted Output Power Measurement

3.1.1 Description of the Conducted Output Power Measurement

A system simulator was used to establish communication with the EUT. Its parameters were set to enforce EUT transmitting at the maximum power. The measured power in the radio frequency on the transmitter output terminals shall be reported.

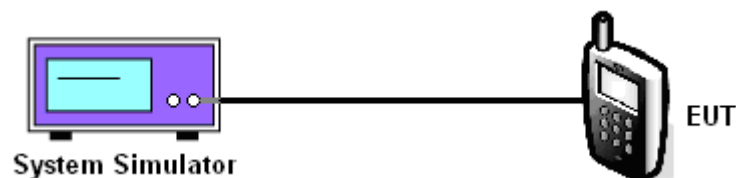
3.1.2 Measuring Instruments

The measuring equipment is listed in the section 4 of this test report.

3.1.3 Test Procedures

1. The transmitter output port was connected to the system simulator.
2. Set EUT at maximum power through system simulator.
3. Select lowest, middle, and highest channels for each band and different modulation.
4. Measure the maximum burst average power for GSM and maximum average power for other modulation signal.

3.1.4 Test Setup



3.1.5 Test Result of Conducted Output Power

Please refer to Appendix A.

3.2 Bandwidth Limitations Measurement

3.2.1 Description of (Occupied) Bandwidth Limitations Measurement

The 99% occupied bandwidth is the width of a frequency band such that, below the lower and above the upper frequency limits, the mean powers emitted are each equal to a specified percentage 0.5% of the total mean transmitted power.

The emission bandwidth is defined as the width of the signal between two points, located at the 2 sides of the carrier frequency, outside of which all emissions are attenuated at least 26 dB below the transmitter power.

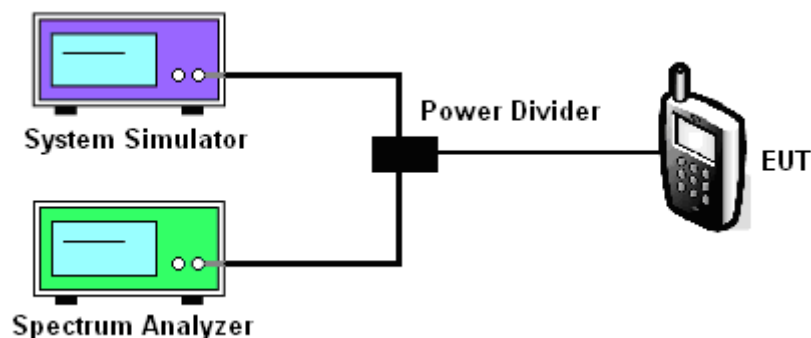
3.2.2 Measuring Instruments

The measuring equipment is listed in the section 4 of this test report.

3.2.3 Test Procedures

1. The EUT was connected to the spectrum analyzer and system simulator via a power divider.
2. The RF output of the EUT was connected to the spectrum analyzer by RF cable and attenuator. The path loss was compensated to the results for each measurement.
3. The 99% occupied bandwidth were measured, set RBW= 1% of span, VBW \geq 3*RBW, sample detector, trace maximum hold.
4. The 26dB bandwidth were measured, set RBW= 1% of EBW, VBW \geq 3*RBW, peak detector, trace maximum hold.

3.2.4 Test Setup



3.2.5 Test Result of Occupied Bandwidth and 26dB Bandwidth

Please refer to Appendix A.



3.3 Emissions Mask Measurement

3.3.1 Description of Emissions Mask Measurement

Equipment used in this licensed to EA or non-EA systems shall comply with the emission mask provisions of FCC Part 90.691.(a)(1)

(a). Out-of-band emission requirement shall apply only to the “outer” channels included in an EA license and to spectrum adjacent to interior channels used by incumbent licensees. The emission limits are as follows:

- (1) For any frequency removed from the EA licensee's frequency block by up to and including 37.5 kHz, the power of any emission shall be attenuated below the transmitter power (P) in watts by at least $116 \text{ Log}_{10}(f/6.1)$ decibels or $50 + 10 \text{ Log}_{10}(P)$ decibels or 80 decibels, whichever is the lesser attenuation, where f is the frequency removed from the center of the outer channel in the block in kilohertz and where f is greater than 12.5 kHz.

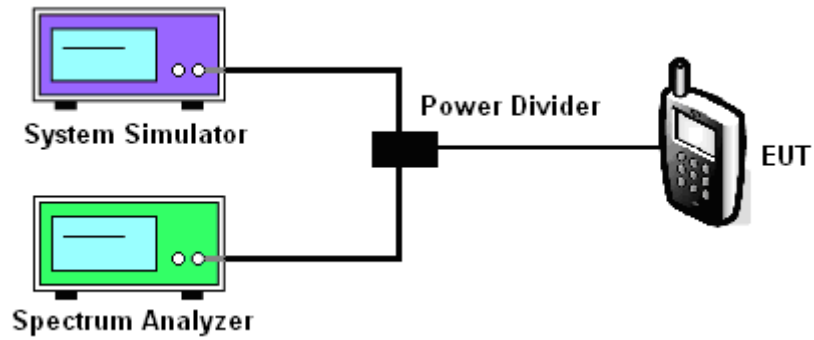
3.3.2 Measuring Instruments

The measuring equipment is listed in the section 4 of this test report.

3.3.3 Test Procedures

1. The EUT was connected to spectrum analyzer and system simulator via power divider.
2. The emissions mask of low and high channels for the highest RF powers were measured.
3. The measured RBW and the VBW set 3 times of RBW are then set in spectrum analyzer, and the RBW correction factor $10\log (1\% \text{ of OBW}/\text{measured RBW})(\text{dB})$ was compensated, if required.
4. The test results were shown below plots with a correction offset factor including cable loss, insertion loss of power divider.

3.3.4 Test Setup



3.3.5 Test Result (Plots) of Conducted Emissions Mask

Please refer to Appendix A.



3.4 Emissions Mask – Out Of Band Emissions Measurement

3.4.1 Description of Conducted Spurious Emissions Out of band emissions measurement

The power of any emission FCC Part 90.691 (a)(2) on any frequency removed from the assigned frequency by more than 250 percent of the authorized bandwidth at least $43 + 10 \log (P)$ dB.

It is measured by means of a calibrated spectrum analyzer and scanned from 30 MHz up to a frequency including its 10th harmonic.

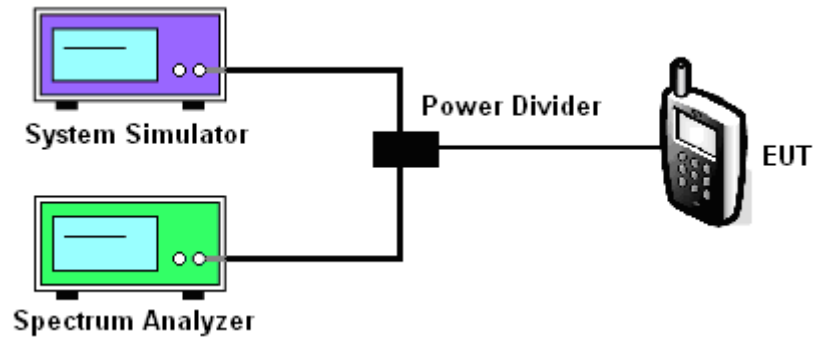
3.4.2 Measuring Instruments

The measuring equipment is listed in the section 4 of this test report.

3.4.3 Test Procedures

1. The EUT was connected to the spectrum analyzer and system simulator via a power divider.
2. The RF output of EUT was connected to the spectrum analyzer by an RF cable and attenuator. The path loss was compensated to the results for each measurement.
3. The middle channel for the highest RF power within the transmitting frequency was measured.
4. The conducted spurious emission for the whole frequency range was taken.
5. The RF fundamental frequency should be excluded against the limit line in the operating frequency band.
6. The limit line is derived from $43 + 10\log(P)$ dB below the transmitter power P(Watts)
= $P(W) - [43 + 10\log(P)]$ (dB)
= $[30 + 10\log(P)]$ (dBm) - $[43 + 10\log(P)]$ (dB)
= -13dBm.

3.4.4 Test Setup



3.4.5 Test Result (Plots) of Conducted Spurious Emission

Please refer to Appendix A.



3.5 Field Strength of Spurious Radiation Measurement

3.5.1 Description of Field Strength of Spurious Radiated Measurement

The radiated spurious emission was measured by substitution method according to ANSI / TIA / EIA-603-D-2010. The power of any emission FCC Part 90.691 on any frequency removed from the assigned frequency by more than 250 percent of the authorized bandwidth at least $43 + 10 \log (P)$ dB. The spectrum is scanned from 30 MHz up to a frequency including its 10th harmonic.

The power of any emission outside of the authorized operating frequency ranges must be attenuated below the transmitter power (P) by a factor of at least $43+10\log_{10}(P[\text{Watts}])$ dB. The spectrum is scanned from 30 MHz up to a frequency including its 10th harmonic.

3.5.2 Measuring Instruments

The measuring equipment is listed in the section 4 of this test report.

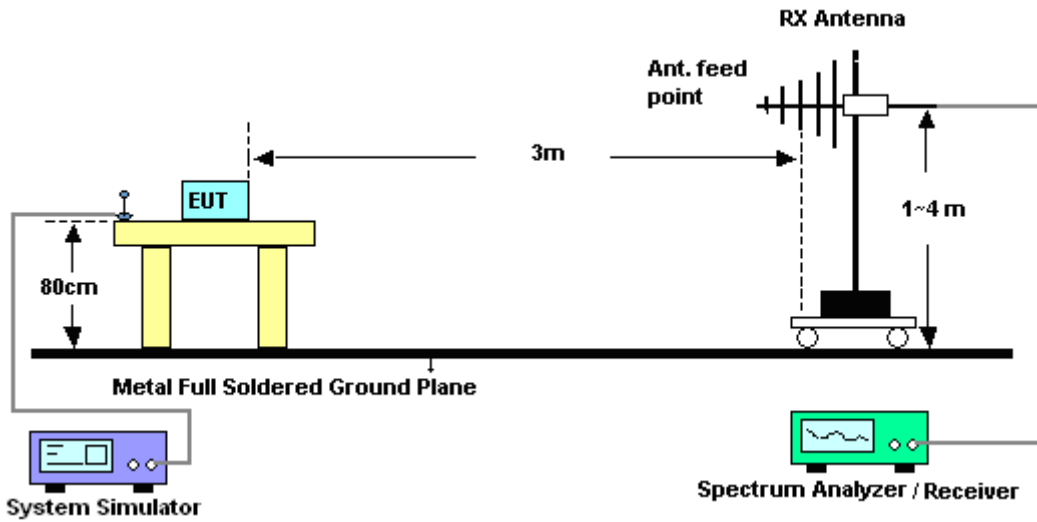


3.5.3 Test Procedures

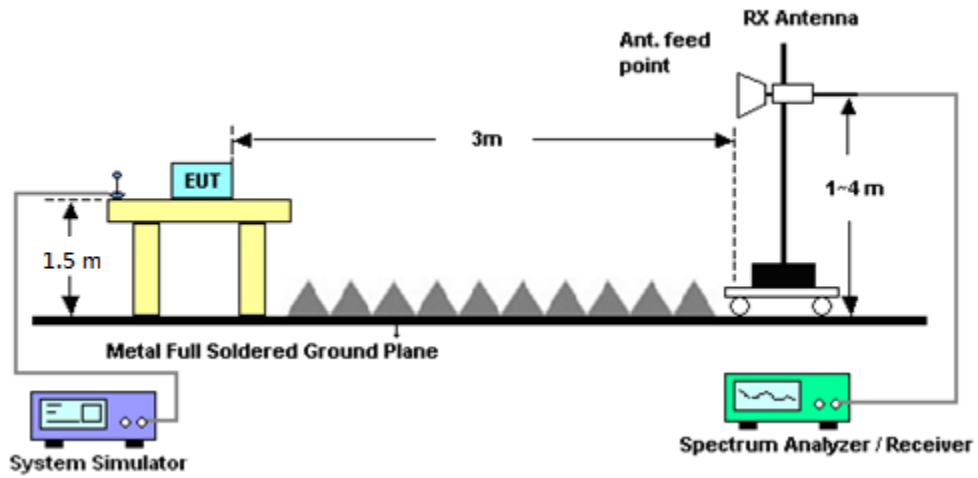
1. The EUT was placed on a turntable with 0.8 meter for frequency below 1GHz and 1.5 meter for frequency above 1GHz respectively above ground.
2. The EUT was set 3 meters from the receiving antenna, which was mounted on the antenna tower.
3. The table was rotated 360 degrees to determine the position of the highest spurious emission.
4. The height of the receiving antenna is varied between one meter and four meters to search the maximum spurious emission for both horizontal and vertical polarizations.
5. Make the measurement with the spectrum analyzer's RBW = 1MHz, VBW = 3MHz, Sweep = 500ms, Taking the record of maximum spurious emission.
6. A horn antenna was substituted in place of the EUT and was driven by a signal generator.
7. Tune the output power of signal generator to the same emission level with EUT maximum spurious emission.
8. Taking the record of output power at antenna port.
9. Repeat step 7 to step 8 for another polarization.
10. $EIRP \text{ (dBm)} = S.G. \text{ Power} - Tx \text{ Cable Loss} + Tx \text{ Antenna Gain}$
11. $ERP \text{ (dBm)} = EIRP - 2.15$
12. The RF fundamental frequency should be excluded against the limit line in the operating frequency band.
13. The limit line is derived from $43 + 10\log(P)$ dB below the transmitter power P(Watts)
 $= P(W) - [43 + 10\log(P)] \text{ (dB)}$
 $= [30 + 10\log(P)] \text{ (dBm)} - [43 + 10\log(P)] \text{ (dB)}$
 $= -13\text{dBm}.$

3.5.4 Test Setup

For radiated emissions from 30MHz to 1GHz



For radiated emissions above 1GHz



3.5.5 Test Result of Field Strength of Spurious Radiated

Please refer to Appendix B.



3.6 Frequency Stability Measurement

3.6.1 Description of Frequency Stability Measurement

The frequency stability shall be measured by variation of ambient temperature and variation of primary supply voltage to ensure that the fundamental emission stays within the authorized frequency block. The frequency stability of the transmitter shall be maintained within $\pm 0.00025\%$ ($\pm 2.5\text{ppm}$) of the center frequency according to FCC Part 90.213.

3.6.2 Measuring Instruments

The measuring equipment is listed in the section 4 of this test report.

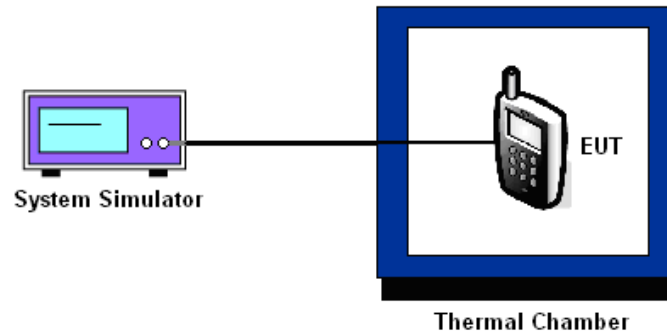
3.6.3 Test Procedures for Temperature Variation

1. The EUT was set up in the thermal chamber and connected with the base station.
2. With power OFF, the temperature was decreased to -30°C and the EUT was stabilized for three hours. Power was applied and the maximum change in frequency was recorded within one minute.
3. With power OFF, the temperature was raised in 10°C step up to 50°C . The EUT was stabilized at each step for at least half an hour. Power was applied and the maximum frequency change was recorded within one minute.

3.6.4 Test Procedures for Voltage Variation

1. The EUT was placed in a temperature chamber at $25\pm 5^{\circ}\text{C}$ and connected with the base station.
2. The power supply voltage to the EUT was varied from BEP to 115% of the nominal value measured at the input to the EUT.
3. The variation in frequency was measured for the worst case.

3.6.5 Test Setup



3.6.6 Test Result of Temperature Variation

Please refer to Appendix A.



4 List of Measuring Equipment

Instrument	Manufacturer	Model No.	Serial No.	Characteristics	Calibration Date	Test Date	Due Date	Remark
Spectrum Analyzer	Rohde & Schwarz	FSP30	101329	9kHz~30GHz	Jun. 24, 2015	May 21, 2016	Jun. 23, 2016	Conducted (TH03-HY)
Temperature Chamber	ESPEC	SU-641	92013721	-30°C ~70°C	Nov. 20, 2015	May 21, 2016	Nov. 19, 2016	Conducted (TH03-HY)
Programmable Power Supply	GW Instek	PSS-2005	EL883644	Voltage:0~20V;Current:0~5A	Nov. 26, 2015	May 21, 2016	Nov. 25, 2016	Conducted (TH03-HY)
Base Station(Measure)	Rohde & Schwarz	CMU200	117995	GSM / GPRS / WCDMA / CDMA	Jul. 26, 2015	May 21, 2016	Jul. 25, 2016	Conducted (TH03-HY)
Bilog Antenna	TESEQ	CBL 6111D	35414	30MHz~1GHz	Nov. 17, 2015	May 20, 2016 ~ Jun. 01, 2016	Nov. 16, 2016	Radiation (03CH13-HY)
Horn Antenna	SCHWARZBECK	BBHA 9120 D	9120D-1326	1GHz ~ 18GHz	Oct. 08, 2015	May 20, 2016 ~ Jun. 01, 2016	Oct. 07, 2016	Radiation (03CH13-HY)
Amplifier	Sonoma-Instrument	310 N	187282	10MHz~1GHz	Dec. 31, 2015	May 20, 2016 ~ Jun. 01, 2016	Dec. 30, 2016	Radiation (03CH13-HY)
Bilog Antenna	TESEQ	CBL 6111D	40103	30MHz to 1GHz	Jan. 13, 2016	May 20, 2016 ~ Jun. 01, 2016	Jan. 12, 2017	Radiation (03CH13-HY)
EMI Test Receiver	Keysight	N9038A(MXE)	MY55420170	N/A	Mar. 10, 2016	May 20, 2016 ~ Jun. 01, 2016	Mar. 09, 2017	Radiation (03CH13-HY)
Horn Antenna	SCHWARZBECK	BBHA 9120 D	9120D-1241	1GHz ~ 18GHz	Apr. 25, 2016	May 20, 2016 ~ Jun. 01, 2016	Apr. 24, 2017	Radiation (03CH13-HY)
Preamplifier	MITEQ	TTA0204	1872107	2GHz~40GHz	Feb. 15, 2016	May 20, 2016 ~ Jun. 01, 2016	Feb. 14, 2017	Radiation (03CH13-HY)
Preamplifier	Keysight	83017A	MY53270147	1GHz~26.5GHz	Jan. 30, 2016	May 20, 2016 ~ Jun. 01, 2016	Jan. 29, 2017	Radiation (03CH13-HY)
Spectrum Analyzer	Keysight	N9010A	MY55370526	N/A	Mar. 14, 2016	May 20, 2016 ~ Jun. 01, 2016	Mar. 13, 2017	Radiation (03CH13-HY)
SHF-EHF Horn Antenna	SCHWARZBECK	BBHA 9170	BBHA9170251	18GHz- 40GHz	Oct. 12, 2015	May 20, 2016 ~ Jun. 01, 2016	Oct. 11, 2016	Radiation (03CH13-HY)
Signal Generator	Rohde & Schwarz	SMF100A	101107	100kHz~40GHz	May. 19, 2016	May 20, 2016 ~ Jun. 01, 2016	May. 18, 2017	Radiation (03CH13-HY)
SHF-EHF Horn Antenna	SCHWARZBECK	BBHA 9170	BBHA9170584	18GHz- 40GHz	Nov. 02, 2015	May 20, 2016 ~ Jun. 01, 2016	Nov. 01, 2016	Radiation (03CH13-HY)



5 Uncertainty of Evaluation

Uncertainty of Radiated Emission Measurement (30 MHz ~ 1000 MHz)

Measuring Uncertainty for a Level of Confidence of 95% ($U = 2Uc(y)$)	4.70
---	------



Appendix A. Test Results of Conducted Test

Conducted Output Power(Average power)

Conducted Power (*Unit: dBm)			
Band	CDMA2000 BC10		
Channel	476	580	684
Frequency	817.90	820.50	823.10
1xRTT RC1 SO55	23.81	23.99	23.89
1xRTT RC3 SO55	23.81	23.96	23.84
1xRTT RC3 SO32 (+ F-SCH)	23.84	24.00	23.91
1xRTT RC3 SO32 (+SCH)	23.88	23.99	23.94
1xEV-DO RTAP 153.6kbps	23.93	23.98	23.97
1xEV-DO RETAP 4096Bits	23.92	24.00	23.95



A3. CDMA

Peak-to-Average Ratio

Mode	CDMA BC10	CDMA BC10	Limit: 13dB
Mod.	1xRTT	1xEV-DO Rev. A	Result
Lowest CH	4.20	4.24	PASS
Middle CH	4.08	4.08	
Highest CH	4.52	4.48	



CDMA BC10 (1xRTT)	CDMA BC10 (1xEV-DO Rev. 0)
<p align="center">Lowest Channel</p> <p>Center 817.9 MHz RBW 10 MHz AGT 3.125 ms Mean Pwr + 20 dB</p> <p>Complementary Cumulative Distribution Function (100000 samples)</p> <p>Trace 1</p> <p>Mean 24.15 dBm Peak 28.77 dBm Crest 4.62 dB</p> <p>10 % 2.44 dB 1 % 3.68 dB .1 % 4.20 dB .01 % 4.48 dB</p> <p>Date: 21.MAY.2016 18:09:32</p>	<p align="center">Lowest Channel</p> <p>Center 817.9 MHz RBW 10 MHz AGT 3.125 ms Mean Pwr + 20 dB</p> <p>Complementary Cumulative Distribution Function (100000 samples)</p> <p>Trace 1</p> <p>Mean 24.21 dBm Peak 28.84 dBm Crest 4.64 dB</p> <p>10 % 2.44 dB 1 % 3.68 dB .1 % 4.24 dB .01 % 4.52 dB</p> <p>Date: 21.MAY.2016 17:29:23</p>
<p align="center">Middle Channel</p> <p>Center 820.5 MHz RBW 10 MHz AGT 3.125 ms Mean Pwr + 20 dB</p> <p>Complementary Cumulative Distribution Function (100000 samples)</p> <p>Trace 1</p> <p>Mean 24.33 dBm Peak 28.91 dBm Crest 4.58 dB</p> <p>10 % 2.36 dB 1 % 3.56 dB .1 % 4.08 dB .01 % 4.40 dB</p> <p>Date: 21.MAY.2016 18:09:44</p>	<p align="center">Middle Channel</p> <p>Center 820.5 MHz RBW 10 MHz AGT 3.125 ms Mean Pwr + 20 dB</p> <p>Complementary Cumulative Distribution Function (100000 samples)</p> <p>Trace 1</p> <p>Mean 24.30 dBm Peak 28.63 dBm Crest 4.33 dB</p> <p>10 % 2.36 dB 1 % 3.60 dB .1 % 4.08 dB .01 % 4.28 dB</p> <p>Date: 21.MAY.2016 17:29:37</p>
<p align="center">Highest Channel</p> <p>Center 823.1 MHz RBW 10 MHz AGT 3.125 ms Mean Pwr + 20 dB</p> <p>Complementary Cumulative Distribution Function (100000 samples)</p> <p>Trace 1</p> <p>Mean 23.94 dBm Peak 28.77 dBm Crest 4.83 dB</p> <p>10 % 2.44 dB 1 % 3.88 dB .1 % 4.52 dB .01 % 4.76 dB</p> <p>Date: 21.MAY.2016 18:09:57</p>	<p align="center">Highest Channel</p> <p>Center 823.1 MHz RBW 10 MHz AGT 3.125 ms Mean Pwr + 20 dB</p> <p>Complementary Cumulative Distribution Function (100000 samples)</p> <p>Trace 1</p> <p>Mean 24.02 dBm Peak 28.98 dBm Crest 4.96 dB</p> <p>10 % 2.44 dB 1 % 3.88 dB .1 % 4.48 dB .01 % 4.84 dB</p> <p>Date: 21.MAY.2016 17:29:51</p>



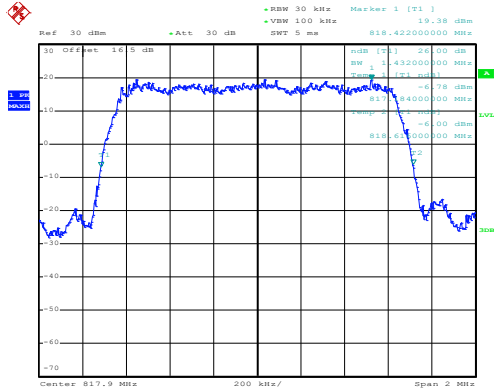
26dB Bandwidth

Mode	CDMA BC10	CDMA BC10
Mod.	1xRTT	1xEV-DO Rev. A
Lowest CH	1.43	1.44
Middle CH	1.43	1.42
Highest CH	1.43	1.42



CDMA BC10 (1xRTT)

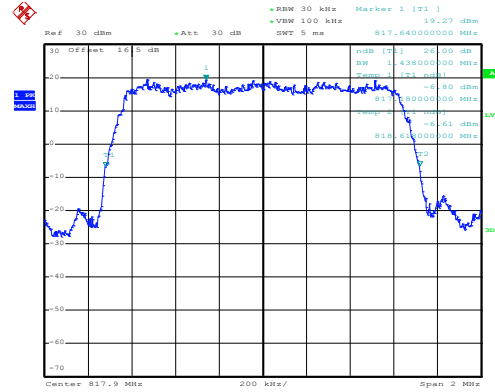
Lowest Channel



Date: 21.MAY.2016 18:02:04

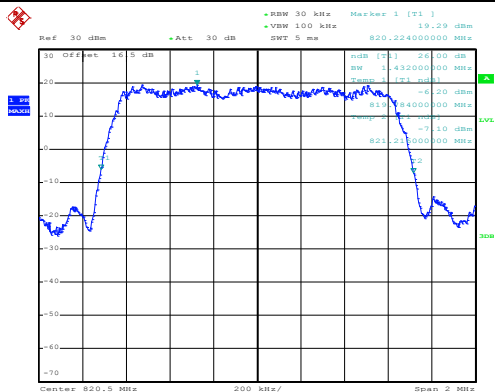
CDMA BC10 (1xEV-DO Rev. A)

Lowest Channel



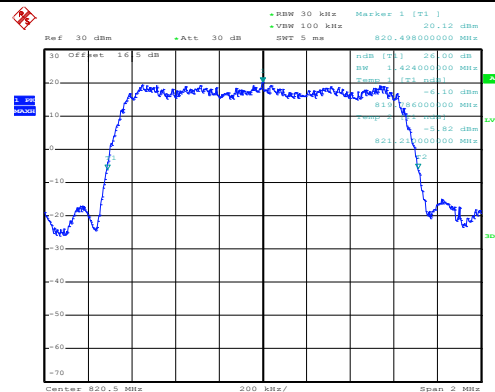
Date: 21.MAY.2016 17:11:30

Middle Channel



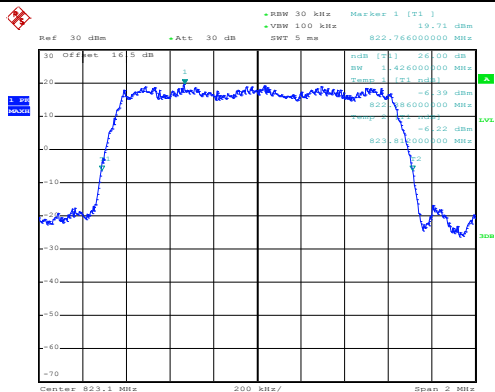
Date: 21.MAY.2016 18:02:38

Middle Channel



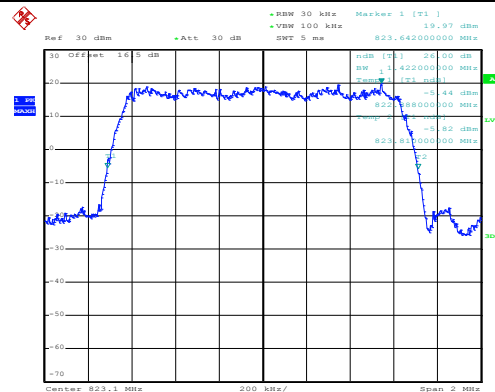
Date: 21.MAY.2016 17:12:54

Highest Channel



Date: 21.MAY.2016 18:03:19

Highest Channel



Date: 21.MAY.2016 17:13:46



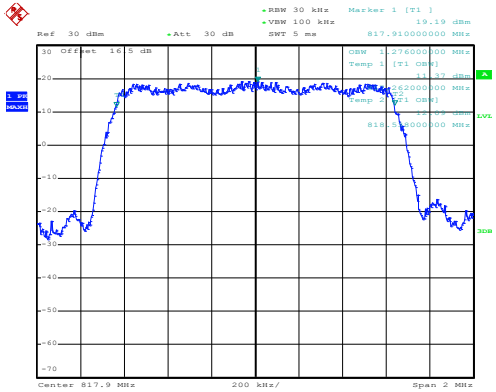
Occupied Bandwidth

Mode	CDMA BC10	CDMA BC10
Mod.	1xRTT	1xEV-DO Rev. A
Lowest CH	1.28	1.28
Middle CH	1.28	1.28
Highest CH	1.28	1.28



CDMA BC10 (1xRTT)

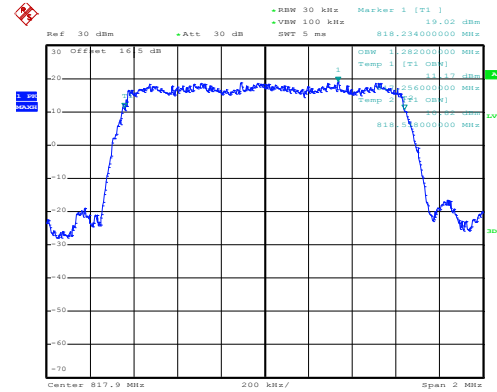
Lowest Channel



Date: 21.MAY.2016 18:03:58

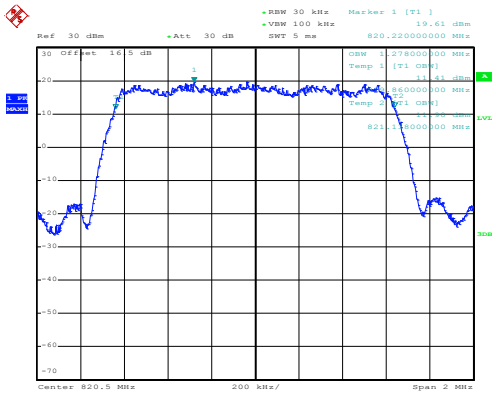
CDMA BC10 (1xEV-DO Rev. A)

Lowest Channel



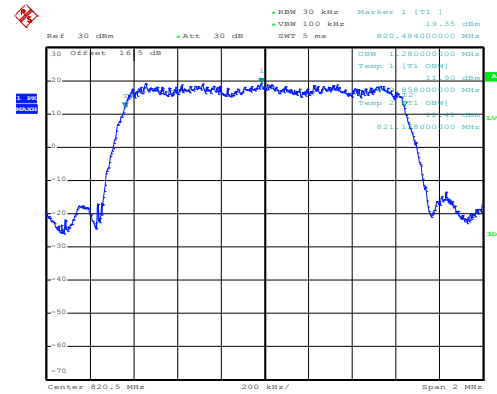
Date: 21.MAY.2016 17:14:35

Middle Channel



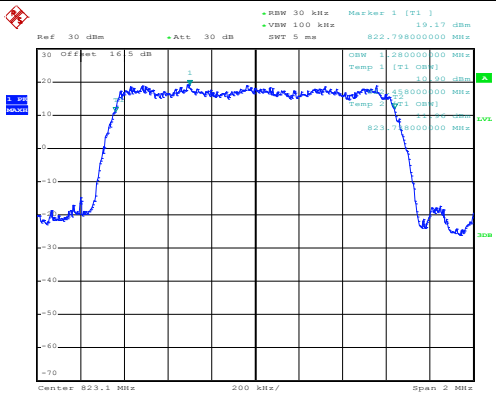
Date: 21.MAY.2016 18:05:03

Middle Channel



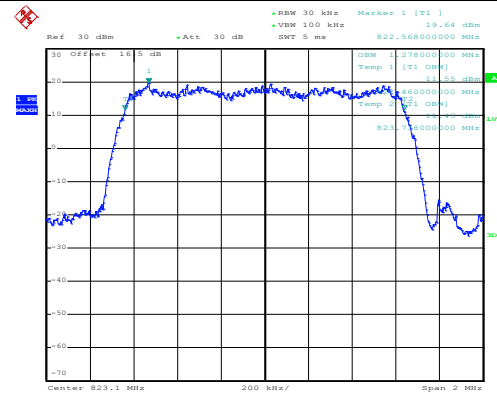
Date: 21.MAY.2016 17:16:03

Highest Channel



Date: 21.MAY.2016 18:05:59

Highest Channel



Date: 21.MAY.2016 17:17:17



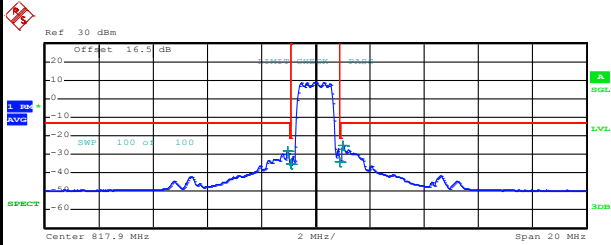
Conducted Band Edge



CDMA BC10 (1xRTT)

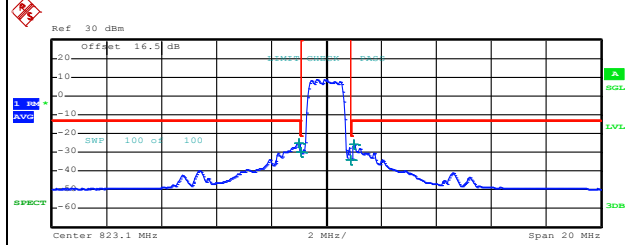
Lowest Band Edge

Highest Band Edge



Tx Channel		Bandwidth		1.4 MHz		Power		23.05 dBm	
Start	Stop	RBW	Freq	PwrAbs	PwrRel	ΔLimit			
[Hz]	[Hz]	[Hz]	[Hz]	[dBm]	[dBc]	[dB]			
-10.000 M	-937.500 k	100.00 k	816.9800000 M	-28.31	-51.37	-15.31			
-937.500 k	-900.000 k	30.00 k	816.9800000 M	-35.28	-58.34	-14.28			
900.000 k	937.500 k	30.00 k	818.8000000 M	-34.02	-57.08	-13.02			
937.500 k	10.000 M	100.00 k	818.9000000 M	-25.41	-48.46	-12.41			

Date: 21.MAY.2016 18:12:49



Tx Channel		Bandwidth		1.4 MHz		Power		22.91 dBm	
Start	Stop	RBW	Freq	PwrAbs	PwrRel	ΔLimit			
[Hz]	[Hz]	[Hz]	[Hz]	[dBm]	[dBc]	[dB]			
-10.000 M	-937.500 k	100.00 k	822.1000000 M	-25.38	-48.29	-12.38			
-937.500 k	-900.000 k	30.00 k	822.1800000 M	-29.89	-52.80	-8.89			
900.000 k	937.500 k	30.00 k	824.0000000 M	-33.75	-56.66	-12.75			
937.500 k	10.000 M	100.00 k	824.1000000 M	-25.59	-48.50	-12.59			

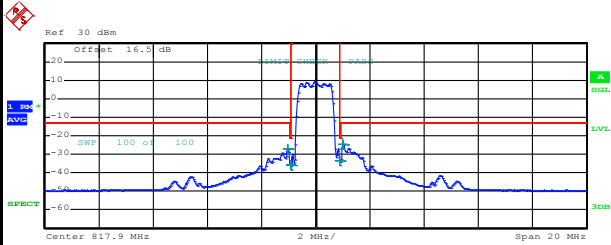
Date: 21.MAY.2016 18:11:30



CDMA BC10 (1xEV-DO Rev. A)

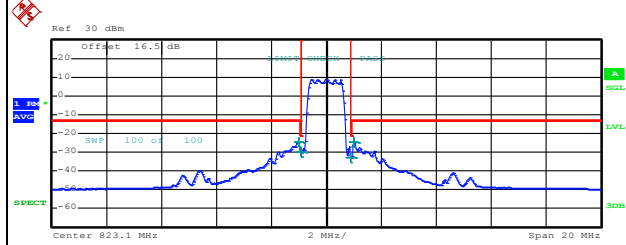
Lowest Band Edge

Highest Band Edge



Tx Channel	Bandwidth	Start	Stop	RBW	Freq	Power	PwrAbs	PwrRel	ΔLimit
[Hz]	[Hz]	[Hz]	[Hz]	[Hz]	[MHz]	[dBm]	[dBm]	[dBc]	[dB]
	1.4 MHz					23.14 dBm			
-10.000 M	-937.500 k	100.00 k	816.980000 M			-27.25	-50.38	-14.25	
-937.500 k	-900.000 k	30.00 k	816.980000 M			-35.87	-59.00	-14.87	
900.000 k	937.500 k	30.00 k	818.800000 M			-33.67	-56.80	-12.67	
937.500 k	10.000 M	100.00 k	818.920000 M			-24.74	-47.87	-11.74	

Date: 21.MAY.2016 17:32:02

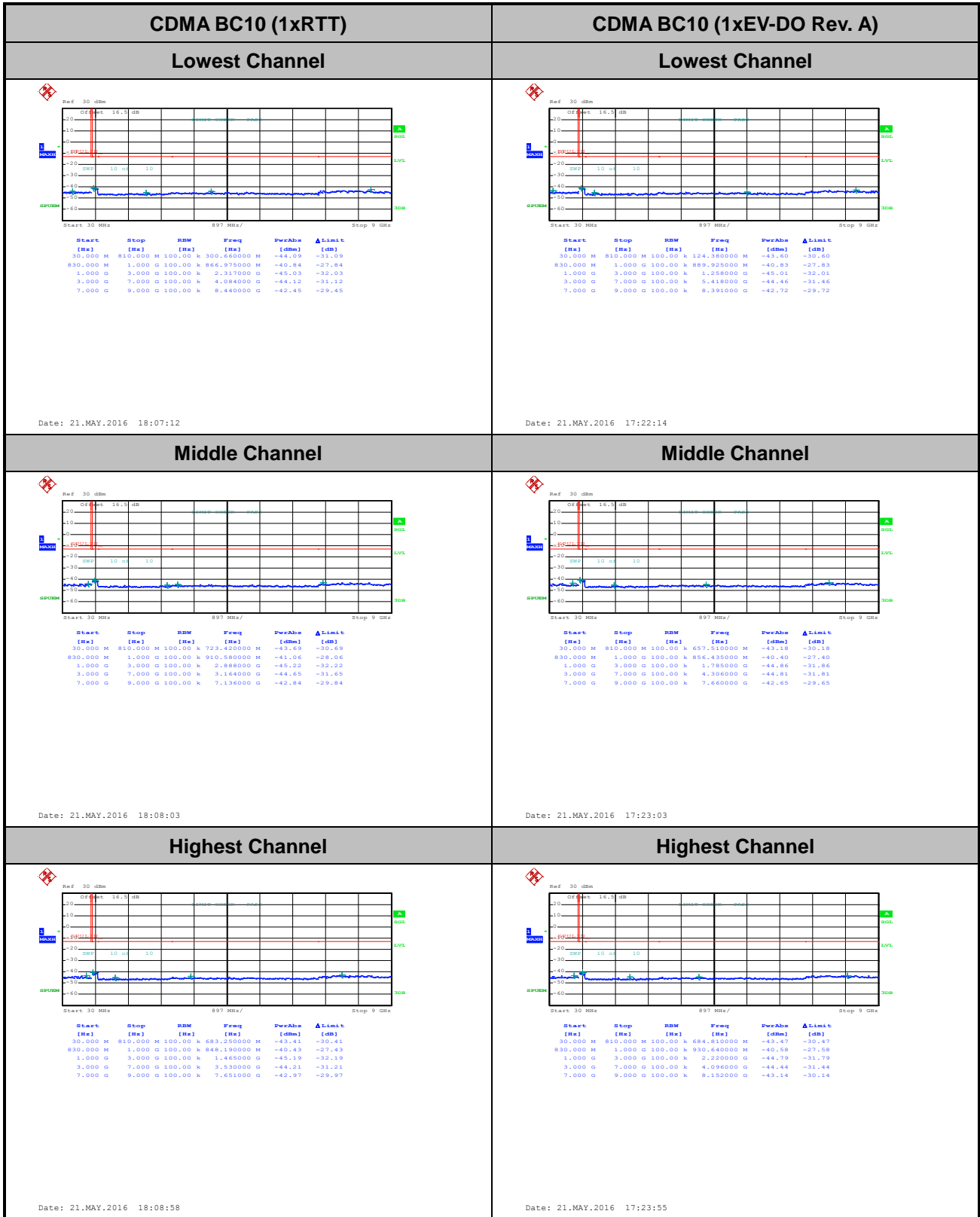


Tx Channel	Bandwidth	Start	Stop	RBW	Freq	Power	PwrAbs	PwrRel	ΔLimit
[Hz]	[Hz]	[Hz]	[Hz]	[Hz]	[MHz]	[dBm]	[dBm]	[dBc]	[dB]
	1.4 MHz					23.06 dBm			
-10.000 M	-937.500 k	100.00 k	822.100000 M			-24.67	-47.72	-11.67	
-937.500 k	-900.000 k	30.00 k	822.180000 M			-29.90	-52.96	-8.90	
900.000 k	937.500 k	30.00 k	824.000000 M			-32.96	-56.01	-11.96	
937.500 k	10.000 M	100.00 k	824.100000 M			-24.81	-47.86	-11.81	

Date: 21.MAY.2016 17:33:38



Conducted Spurious Emission





Frequency Stability

Test Conditions Temperature (°C)	Middle Channel Voltage (Volt)	CDMA BC10 (1xRTT)	Limit Note 2.
		Deviation (ppm)	Result
50	Normal Voltage	0.0024	PASS
40	Normal Voltage	0.0049	
30	Normal Voltage	0.0280	
20(Ref.)	Normal Voltage	0.0000	
10	Normal Voltage	0.0268	
0	Normal Voltage	0.0037	
-10	Normal Voltage	0.0012	
-20	Normal Voltage	0.0268	
-30	Normal Voltage	0.0256	
20	Maximum Voltage	0.0037	
20	Normal Voltage	0.0256	
20	Battery End Point	0.0268	

Test Conditions Temperature (°C)	Middle Channel Voltage (Volt)	CDMA BC10 (EVDO)	Limit Note 2.
		Deviation (ppm)	Result
50	Normal Voltage	0.0268	PASS
40	Normal Voltage	0.0012	
30	Normal Voltage	0.0049	
20(Ref.)	Normal Voltage	0.0000	
10	Normal Voltage	0.0012	
0	Normal Voltage	0.0256	
-10	Normal Voltage	0.0268	
-20	Normal Voltage	0.0280	
-30	Normal Voltage	0.0000	
20	Maximum Voltage	0.0305	
20	Normal Voltage	0.0000	
20	Battery End Point	0.0012	

Note:

1. Normal Voltage = 3.8V. ; Battery End Point (BEP) = 3.3 V. ; Maximum Voltage =4.4 V
2. The frequency fundamental emissions stay within the authorized frequency block.



Appendix B. Test Results of Radiated Test

Radiated Spurious Emission



CDMA BC10(1xRTT)									
Channel	Frequency (MHz)	ERP (dBm)	Limit (dBm)	Over Limit (dB)	SPA Reading (dBm)	S.G. Power (dBm)	TX Cable loss (dB)	TX Antenna Gain (dBi)	Polarization (H/V)
Lowest	1632	-54.38	-13	-41.38	-65.24	-56.19	0.97	4.93	H
	2448	-59.92	-13	-46.92	-73.86	-61.74	1.27	5.24	H
	3264	-57.86	-13	-44.86	-75.49	-61.14	1.53	6.96	H
									H
									H
									H
	1632	-61.14	-13	-48.14	-71.93	-62.95	0.97	4.93	V
	2448	-63.96	-13	-50.96	-77.83	-65.78	1.27	5.24	V
	3264	-60.72	-13	-47.72	-78.33	-64	1.53	6.96	V
									V
Middle	1640	-53.32	-13	-40.32	-64.2	-55.1	0.97	4.91	H
	2456	-55.70	-13	-42.70	-69.72	-57.54	1.28	5.27	H
	3272	-59.35	-13	-46.35	-77.12	-62.66	1.53	7.00	H
									H
									H
									H
	1640	-58.97	-13	-45.97	-69.85	-60.75	0.97	4.91	V
	2456	-55.15	-13	-42.15	-69.18	-56.99	1.28	5.27	V
	3272	-61.84	-13	-48.84	-79.6	-65.15	1.53	7.00	V
									V
Highest	1648	-58.77	-13	-45.77	-69.67	-60.53	0.98	4.89	H
	2472	-57.73	-13	-44.73	-71.85	-59.61	1.28	5.32	H
	3288	-59.46	-13	-46.46	-77.19	-62.84	1.54	7.07	H
									H
									H
									H
	1648	-61.47	-13	-48.47	-72.29	-63.23	0.98	4.89	V
	2472	-60.94	-13	-47.94	-75.03	-62.82	1.28	5.32	V
	3288	-61.34	-13	-48.34	-79.16	-64.72	1.54	7.07	V
									V

Remark: Spurious emissions within 30-1000MHz were found more than 20dB below limit line.



CDMA BC10(1xEVDO)									
Channel	Frequency (MHz)	ERP (dBm)	Limit (dBm)	Over Limit (dB)	SPA Reading (dBm)	S.G. Power (dBm)	TX Cable loss (dB)	TX Antenna Gain (dBi)	Polarization (H/V)
Lowest	1632	-57.60	-13	-44.60	-68.39	-59.41	0.97	4.93	H
	2448	-59.38	-13	-46.38	-73.2	-61.2	1.27	5.24	H
	3264	-60.30	-13	-47.30	-78.04	-63.58	1.53	6.96	H
									H
									H
									H
	1632	-63.21	-13	-50.21	-74.05	-65.02	0.97	4.93	V
	2448	-63.70	-13	-50.70	-77.51	-65.52	1.27	5.24	V
	3264	-62.35	-13	-49.35	-79.86	-65.63	1.53	6.96	V
									V
									V
									V
Middle	1640	-58.11	-13	-45.11	-68.88	-59.89	0.97	4.91	H
	2456	-64.19	-13	-51.19	-78.2	-66.03	1.28	5.27	H
	3272	-61.56	-13	-48.56	-79.25	-64.87	1.53	7.00	H
									H
									H
									H
	1640	-62.30	-13	-49.30	-73.16	-64.08	0.97	4.91	V
	2456	-63.87	-13	-50.87	-77.99	-65.71	1.28	5.27	V
	3272	-62.51	-13	-49.51	-80.18	-65.82	1.53	7.00	V
									V
									V
									V
Highest	1648	-61.77	-13	-48.77	-72.69	-63.53	0.98	4.89	H
	2472	-61.25	-13	-48.25	-75.43	-63.13	1.28	5.32	H
	3288	-62.34	-13	-49.34	-80.09	-65.72	1.54	7.07	H
									H
									H
									H
	1648	-65.52	-13	-52.52	-76.42	-67.28	0.98	4.89	V
	2472	-63.79	-13	-50.79	-77.94	-65.67	1.28	5.32	V
	3288	-62.54	-13	-49.54	-80.3	-65.92	1.54	7.07	V
									V
									V
									V

Remark: Spurious emissions within 30-1000MHz were found more than 20dB below limit line.