

## System Check\_Head\_750MHz

**DUT: D750V3-1078**

Communication System: CW; Frequency: 750 MHz; Duty Cycle: 1:1

Medium: HSL\_750\_160523 Medium parameters used:  $f = 750 \text{ MHz}$ ;  $\sigma = 0.9 \text{ S/m}$ ;  $\epsilon_r = 41.911$ ;  $\rho = 1000 \text{ kg/m}^3$

Ambient Temperature :  $23.5 \text{ }^\circ\text{C}$ ; Liquid Temperature :  $22.5 \text{ }^\circ\text{C}$

### DASY5 Configuration

- Probe: ES3DV3 - SN3270; ConvF(6.5, 6.5, 6.5); Calibrated: 2015/9/28;
- Sensor-Surface: 3mm (Mechanical Surface Detection)
- Electronics: DAE4 Sn1399; Calibrated: 2015/11/23
- Phantom: SAM\_RIGHT; Type: QD000P40CD; Serial: 1719
- Measurement SW: DASY52, Version 52.8 (7); SEMCAD X Version 14.6.10 (7164)

**Configuration/Pin=250mW/Area Scan (61x61x1):** Interpolated grid:  $dx=1.500 \text{ mm}$ ,  $dy=1.500 \text{ mm}$

Maximum value of SAR (interpolated) =  $2.61 \text{ W/kg}$

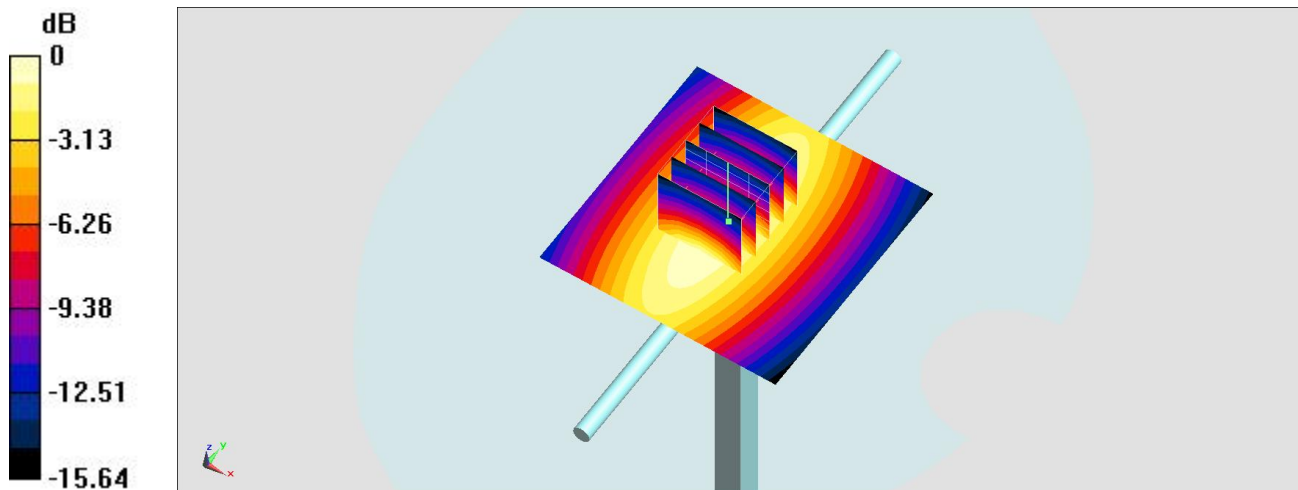
**Configuration/Pin=250mW/Zoom Scan (5x5x7)/Cube 0:** Measurement grid:  $dx=8\text{mm}$ ,  $dy=8\text{mm}$ ,  $dz=5\text{mm}$

Reference Value =  $55.386 \text{ V/m}$ ; Power Drift =  $0.00 \text{ dB}$

Peak SAR (extrapolated) =  $3.16 \text{ W/kg}$

**SAR(1 g) =  $2.14 \text{ W/kg}$ ; SAR(10 g) =  $1.41 \text{ W/kg}$**

Maximum value of SAR (measured) =  $2.58 \text{ W/kg}$



0 dB =  $2.61 \text{ W/kg}$  =  $4.17 \text{ dBW/kg}$

## System Check\_Body\_750MHz

**DUT: D750V3-1078**

Communication System: CW; Frequency: 750 MHz; Duty Cycle: 1:1

Medium: MSL\_750\_160524 Medium parameters used:  $f = 750 \text{ MHz}$ ;  $\sigma = 0.961 \text{ S/m}$ ;  $\epsilon_r = 54.966$ ;  $\rho = 1000 \text{ kg/m}^3$

Ambient Temperature :  $23.4 \text{ }^\circ\text{C}$ ; Liquid Temperature :  $22.4 \text{ }^\circ\text{C}$

### DASY5 Configuration

- Probe: ES3DV3 - SN3270; ConvF(6.3, 6.3, 6.3); Calibrated: 2015/9/28;
- Sensor-Surface: 3mm (Mechanical Surface Detection)
- Electronics: DAE4 Sn1399; Calibrated: 2015/11/23
- Phantom: SAM LEFT; Type: QD000P40CD; Serial: TP:1718
- Measurement SW: DASY52, Version 52.8 (7); SEMCAD X Version 14.6.10 (7164)

**Pin=250mW/Area Scan (61x61x1):** Interpolated grid:  $dx=1.500 \text{ mm}$ ,  $dy=1.500 \text{ mm}$

Maximum value of SAR (interpolated) =  $2.47 \text{ W/kg}$

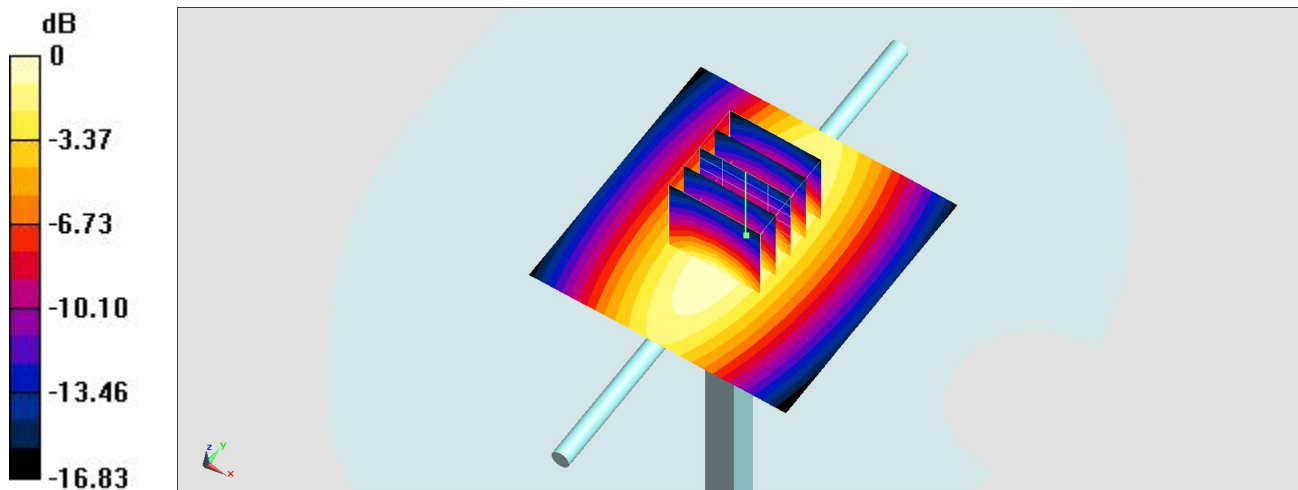
**Pin=250mW/Zoom Scan (5x5x7)/Cube 0:** Measurement grid:  $dx=8\text{mm}$ ,  $dy=8\text{mm}$ ,  $dz=5\text{mm}$

Reference Value =  $52.483 \text{ V/m}$ ; Power Drift =  $-0.11 \text{ dB}$

Peak SAR (extrapolated) =  $3.08 \text{ W/kg}$

**SAR(1 g) =  $2.16 \text{ W/kg}$ ; SAR(10 g) =  $1.45 \text{ W/kg}$**

Maximum value of SAR (measured) =  $2.50 \text{ W/kg}$



0 dB =  $2.47 \text{ W/kg}$  =  $3.93 \text{ dBW/kg}$

## System Check\_Body\_750MHz

### DUT: D750V3-1078

Communication System: CW ; Frequency: 750 MHz;Duty Cycle: 1:1

Medium: MSL\_750\_160527 Medium parameters used:  $f = 750$  MHz;  $\sigma = 0.962$  mho/m;  $\epsilon_r = 55$ ;  $\rho = 1000$  kg/m<sup>3</sup>

Ambient Temperature : 23.5 °C; Liquid Temperature : 22.5 °C

DASY4 Configuration:

- Probe: EX3DV4 - SN7346; ConvF(10.11, 10.11, 10.11); Calibrated: 2015/9/2
- Sensor-Surface: 1.4mm (Mechanical Surface Detection)
- Electronics: DAE4 Sn916; Calibrated: 2015/12/16
- Phantom: SAM\_Right; Type: SAM\_Right; Serial: TP-1303
- ;Postprocessing SW: SEMCAD, V1.8 Build 159

**Pin=250mW/Area Scan (61x61x1):** Measurement grid: dx=15mm, dy=15mm

Maximum value of SAR (interpolated) = 2.67 mW/g

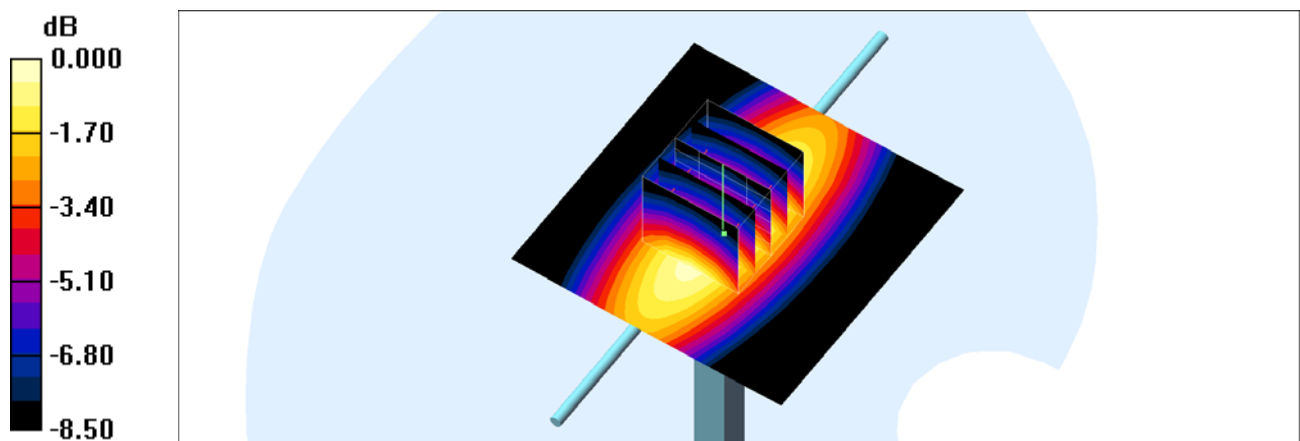
**Pin=250mW/Zoom Scan (5x5x7)/Cube 0:** Measurement grid: dx=8mm, dy=8mm, dz=5mm

Reference Value = 53.8 V/m; Power Drift = -0.019 dB

Peak SAR (extrapolated) = 3.09 W/kg

**SAR(1 g) = 2.18 mW/g; SAR(10 g) = 1.48 mW/g**

Maximum value of SAR (measured) = 2.72 mW/g



0 dB = 2.72mW/g

## System Check\_Head\_835MHz

### DUT: D835V2-499

Communication System: CW ; Frequency: 835 MHz; Duty Cycle: 1:1

Medium: HSL\_850\_160523 Medium parameters used:  $f = 835 \text{ MHz}$ ;  $\sigma = 0.904 \text{ S/m}$ ;  $\epsilon_r = 41.413$ ;  $\rho = 1000 \text{ kg/m}^3$

Ambient Temperature :  $23.5 \text{ }^\circ\text{C}$ ; Liquid Temperature :  $22.5 \text{ }^\circ\text{C}$

### DASY5 Configuration

- Probe: ES3DV3 - SN3270; ConvF(6.32, 6.32, 6.32); Calibrated: 2015/9/28;
- Sensor-Surface: 3mm (Mechanical Surface Detection)
- Electronics: DAE4 Sn1399; Calibrated: 2015/11/23
- Phantom: SAM\_RIGHT; Type: QD000P40CD; Serial: 1719
- Measurement SW: DASY52, Version 52.8 (7); SEMCAD X Version 14.6.10 (7164)

**Configuration/Pin=250mW/Area Scan (61x61x1):** Interpolated grid:  $dx=1.500 \text{ mm}$ ,  $dy=1.500 \text{ mm}$

Maximum value of SAR (interpolated) =  $2.74 \text{ W/kg}$

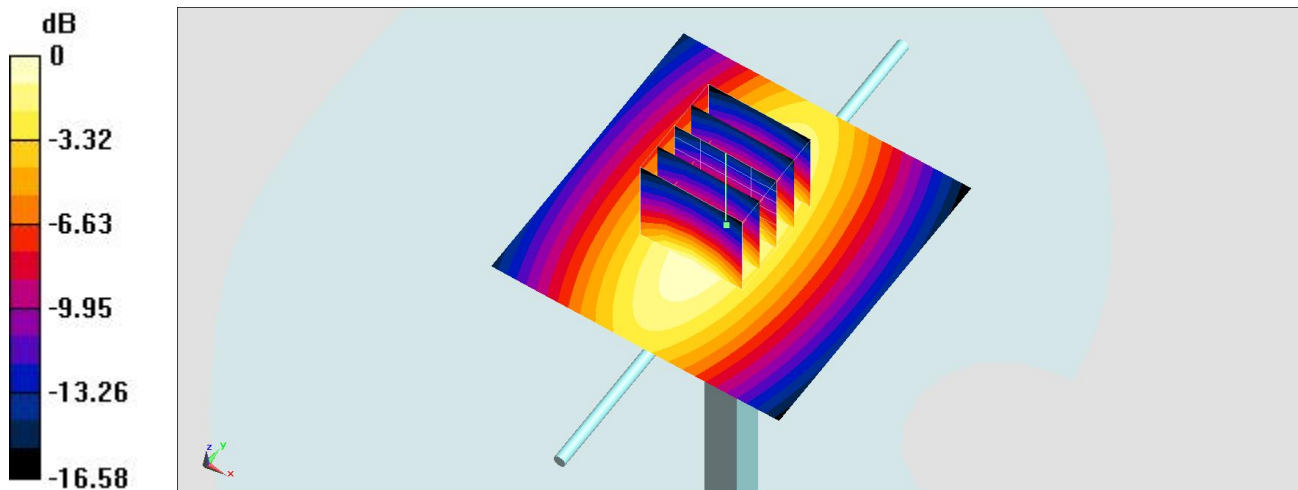
**Configuration/Pin=250mW/Zoom Scan (5x5x7)/Cube 0:** Measurement grid:  $dx=8\text{mm}$ ,  $dy=8\text{mm}$ ,  $dz=5\text{mm}$

Reference Value =  $57.014 \text{ V/m}$ ; Power Drift =  $0.01 \text{ dB}$

Peak SAR (extrapolated) =  $3.41 \text{ W/kg}$

**SAR(1 g) =  $2.34 \text{ W/kg}$ ; SAR(10 g) =  $1.54 \text{ W/kg}$**

Maximum value of SAR (measured) =  $2.72 \text{ W/kg}$



0 dB =  $2.74 \text{ W/kg}$  =  $4.38 \text{ dBW/kg}$

## System Check\_Head\_835MHz

### DUT: D835V2-499

Communication System: CW; Frequency: 835 MHz; Duty Cycle: 1:1

Medium: HSL\_850\_160527 Medium parameters used:  $f = 835$  MHz;  $\sigma = 0.88$  mho/m;  $\epsilon_r = 42.9$ ;  $\rho = 1000$  kg/m<sup>3</sup>

Ambient Temperature : 23.5 °C ; Liquid Temperature : 22.5 °C

DASY4 Configuration:

- Probe: EX3DV4 - SN7346; ConvF(9.8, 9.8, 9.8); Calibrated: 2015/9/2
- Sensor-Surface: 1.4mm (Mechanical Surface Detection)
- Electronics: DAE4 Sn916; Calibrated: 2015/12/16
- Phantom: SAM\_Right; Type: SAM\_Right; Serial: TP-1303
- ;Postprocessing SW: SEMCAD, V1.8 Build 159

**Pin=250mW/Area Scan (61x61x1):** Measurement grid: dx=15mm, dy=15mm

Maximum value of SAR (interpolated) = 3.23 mW/g

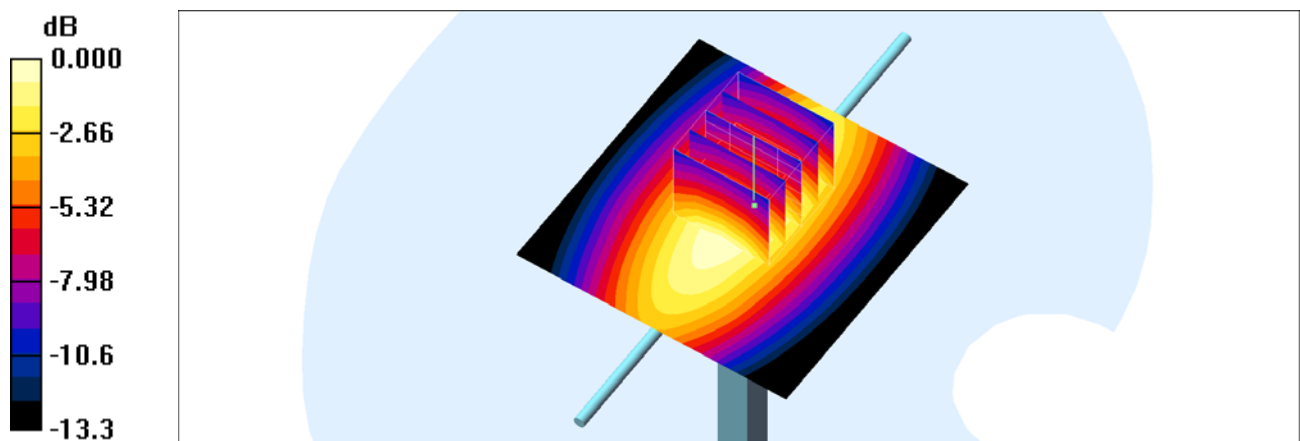
**Pin=250mW/Zoom Scan (5x5x7)/Cube 0:** Measurement grid: dx=8mm, dy=8mm, dz=5mm

Reference Value = 62.8 V/m; Power Drift = -0.020 dB

Peak SAR (extrapolated) = 3.61 W/kg

**SAR(1 g) = 2.4 mW/g; SAR(10 g) = 1.58 mW/g**

Maximum value of SAR (measured) = 3.20 mW/g



0 dB = 3.20mW/g

## System Check\_Body\_835MHz

**DUT: D835V2-499**

Communication System: CW; Frequency: 835 MHz; Duty Cycle: 1:1

Medium: MSL\_850\_160524 Medium parameters used:  $f = 835$  MHz;  $\sigma = 0.979$  S/m;  $\epsilon_r = 56.64$ ;  $\rho = 1000$  kg/m<sup>3</sup>

Ambient Temperature : 23.4 °C; Liquid Temperature : 22.4 °C

### DASY5 Configuration

- Probe: ES3DV3 - SN3270; ConvF(6.24, 6.24, 6.24); Calibrated: 2015/9/28;
- Sensor-Surface: 3mm (Mechanical Surface Detection)
- Electronics: DAE4 Sn1399; Calibrated: 2015/11/23
- Phantom: SAM LEFT; Type: QD000P40CD; Serial: TP:1718
- Measurement SW: DASY52, Version 52.8 (7); SEMCAD X Version 14.6.10 (7164)

**Pin=250mW/Area Scan (61x61x1):** Interpolated grid: dx=1.500 mm, dy=1.500 mm

Maximum value of SAR (interpolated) = 2.63 W/kg

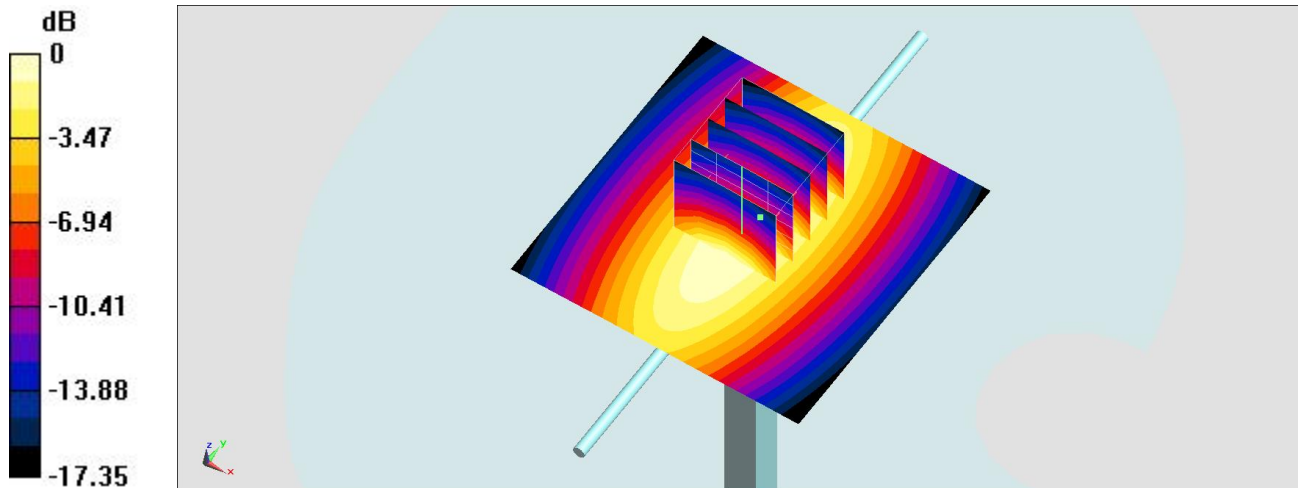
**Pin=250mW/Zoom Scan (5x5x7)/Cube 0:** Measurement grid: dx=8mm, dy=8mm, dz=5mm

Reference Value = 53.841 V/m; Power Drift = -0.10 dB

Peak SAR (extrapolated) = 3.22 W/kg

**SAR(1 g) = 2.27 W/kg; SAR(10 g) = 1.51 W/kg**

Maximum value of SAR (measured) = 2.62 W/kg



0 dB = 2.63 W/kg = 4.20 dBW/kg

## System Check\_Body\_835MHz

### DUT: D835V2-499

Communication System: CW ; Frequency: 835 MHz; Duty Cycle: 1:1

Medium: MSL\_850\_160527 Medium parameters used:  $f = 835 \text{ MHz}$ ;  $\sigma = 0.978 \text{ mho/m}$ ;  $\epsilon_r = 56.7$ ;  $\rho = 1000 \text{ kg/m}^3$

Ambient Temperature :  $23.5 \text{ }^\circ\text{C}$ ; Liquid Temperature :  $22.5 \text{ }^\circ\text{C}$

#### DASY4 Configuration:

- Probe: EX3DV4 - SN7346; ConvF(10.05, 10.05, 10.05); Calibrated: 2015/9/2
- Sensor-Surface: 1.4mm (Mechanical Surface Detection)
- Electronics: DAE4 Sn916; Calibrated: 2015/12/16
- Phantom: SAM\_Right; Type: SAM\_Right; Serial: TP-1303
- ;Postprocessing SW: SEMCAD, V1.8 Build 159

**Pin=250mW/Area Scan (61x61x1):** Measurement grid:  $dx=15\text{mm}$ ,  $dy=15\text{mm}$

Maximum value of SAR (interpolated) =  $3.21 \text{ mW/g}$

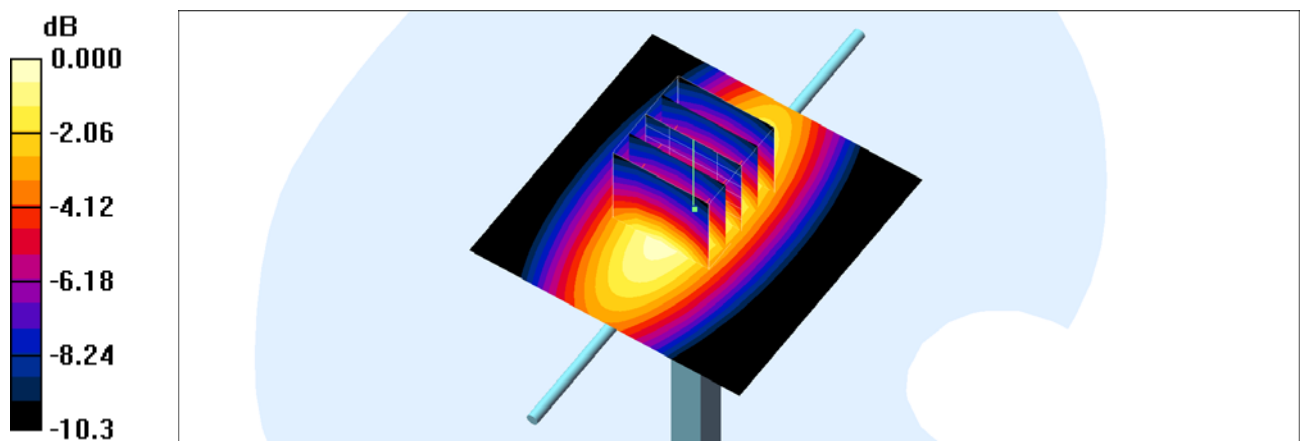
**Pin=250mW/Zoom Scan (5x5x7)/Cube 0:** Measurement grid:  $dx=8\text{mm}$ ,  $dy=8\text{mm}$ ,  $dz=5\text{mm}$

Reference Value =  $58.2 \text{ V/m}$ ; Power Drift =  $-0.002 \text{ dB}$

Peak SAR (extrapolated) =  $3.71 \text{ W/kg}$

**SAR(1 g) =  $2.55 \text{ mW/g}$ ; SAR(10 g) =  $1.69 \text{ mW/g}$**

Maximum value of SAR (measured) =  $3.20 \text{ mW/g}$



0 dB =  $3.20\text{mW/g}$

## System Check\_Head\_1750MHz

**DUT: D1750V2-1068**

Communication System: CW; Frequency: 1750 MHz; Duty Cycle: 1:1

Medium: HSL\_1750\_160523 Medium parameters used:  $f = 1750$  MHz;  $\sigma = 1.382$  S/m;  $\epsilon_r = 38.901$ ;  $\rho = 1000$  kg/m<sup>3</sup>

Ambient Temperature : 23.7 °C; Liquid Temperature : 22.7 °C

### DASY5 Configuration

- Probe: ES3DV3 - SN3270; ConvF(5.32, 5.32, 5.32); Calibrated: 2015/9/28;
- Sensor-Surface: 3mm (Mechanical Surface Detection)
- Electronics: DAE4 Sn1399; Calibrated: 2015/11/23
- Phantom: SAM LEFT; Type: QD000P40CD; Serial: TP:1718
- Measurement SW: DASY52, Version 52.8 (7); SEMCAD X Version 14.6.10 (7164)

**Configuration/Pin=250mW/Area Scan (61x61x1):** Interpolated grid: dx=1.500 mm, dy=1.500 mm

Maximum value of SAR (interpolated) = 10.3 W/kg

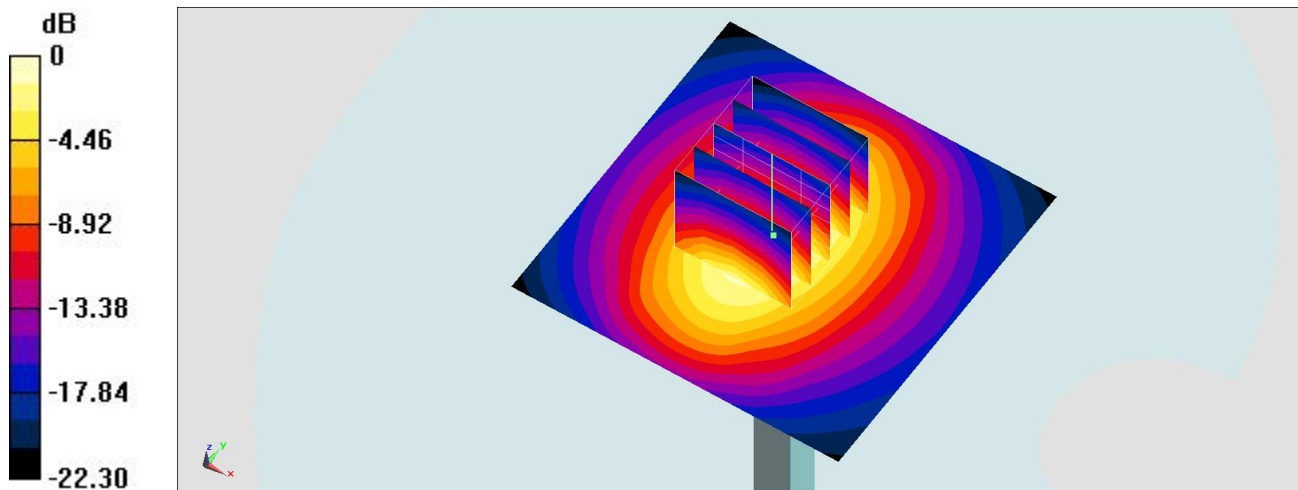
**Configuration/Pin=250mW/Zoom Scan (5x5x7)/Cube 0:** Measurement grid: dx=8mm, dy=8mm, dz=5mm

Reference Value = 82.597 V/m; Power Drift = 0.05 dB

Peak SAR (extrapolated) = 13.2 W/kg

**SAR(1 g) = 8.5 W/kg; SAR(10 g) = 4.94 W/kg**

Maximum value of SAR (measured) = 10.2 W/kg



0 dB = 10.3 W/kg = 10.13 dBW/kg

## System Check\_Body\_1750MHz

**DUT: D1750V2-1068**

Communication System: CW ; Frequency: 1750 MHz; Duty Cycle: 1:1

Medium: MSL\_1750\_160524 Medium parameters used:  $f = 1750$  MHz;  $\sigma = 1.48$  S/m;  $\epsilon_r = 55.23$ ;  $\rho = 1000$  kg/m<sup>3</sup>

Ambient Temperature : 23.3 °C; Liquid Temperature : 22.3 °C

### DASY5 Configuration

- Probe: ES3DV3 - SN3270; ConvF(4.95, 4.95, 4.95); Calibrated: 2015/9/28;
- Sensor-Surface: 3mm (Mechanical Surface Detection)
- Electronics: DAE4 Sn1399; Calibrated: 2015/11/23
- Phantom: SAM\_RIGHT; Type: QD000P40CD; Serial: 1719
- Measurement SW: DASY52, Version 52.8 (7); SEMCAD X Version 14.6.10 (7164)

**Configuration/Pin=250mW/Area Scan (61x61x1):** Interpolated grid: dx=1.500 mm, dy=1.500 mm

Maximum value of SAR (interpolated) = 11.8 W/kg

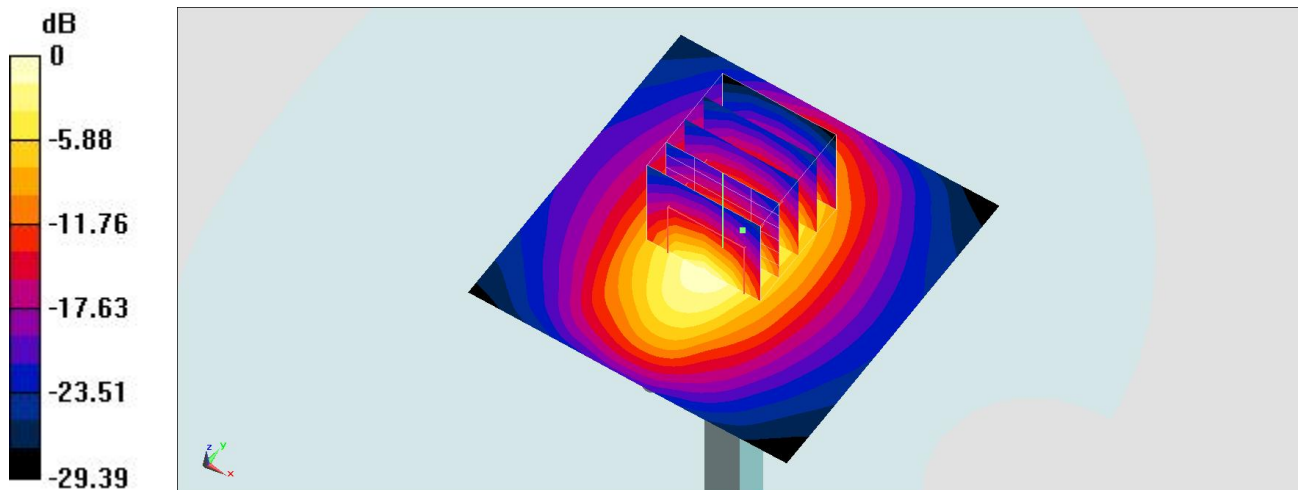
**Configuration/Pin=250mW/Zoom Scan (5x5x7)/Cube 0:** Measurement grid: dx=8mm, dy=8mm, dz=5mm

Reference Value = 83.675 V/m; Power Drift = -0.02 dB

Peak SAR (extrapolated) = 15.5 W/kg

**SAR(1 g) = 8.99 W/kg; SAR(10 g) = 4.83 W/kg**

Maximum value of SAR (measured) = 11.3 W/kg



0 dB = 11.8 W/kg = 10.72 dBW/kg

## System Check\_Head\_1900MHz

### DUT: D1900V2-5d041

Communication System: CW; Frequency: 1900 MHz; Duty Cycle: 1:1

Medium: HSL\_1900\_160523 Medium parameters used:  $f = 1900$  MHz;  $\sigma = 1.431$  S/m;  $\epsilon_r = 38.653$ ;  $\rho = 1000$  kg/m<sup>3</sup>

Ambient Temperature : 23.7 °C; Liquid Temperature : 22.7 °C

### DASY5 Configuration

- Probe: ES3DV3 - SN3270; ConvF(5.12, 5.12, 5.12); Calibrated: 2015/9/28;
- Sensor-Surface: 3mm (Mechanical Surface Detection)
- Electronics: DAE4 Sn1399; Calibrated: 2015/11/23
- Phantom: SAM LEFT; Type: QD000P40CD; Serial: TP:1718
- Measurement SW: DASY52, Version 52.8 (7); SEMCAD X Version 14.6.10 (7164)

**Configuration/Pin=250mW/Area Scan (61x61x1):** Interpolated grid: dx=1.500 mm, dy=1.500 mm

Maximum value of SAR (interpolated) = 15.2 W/kg

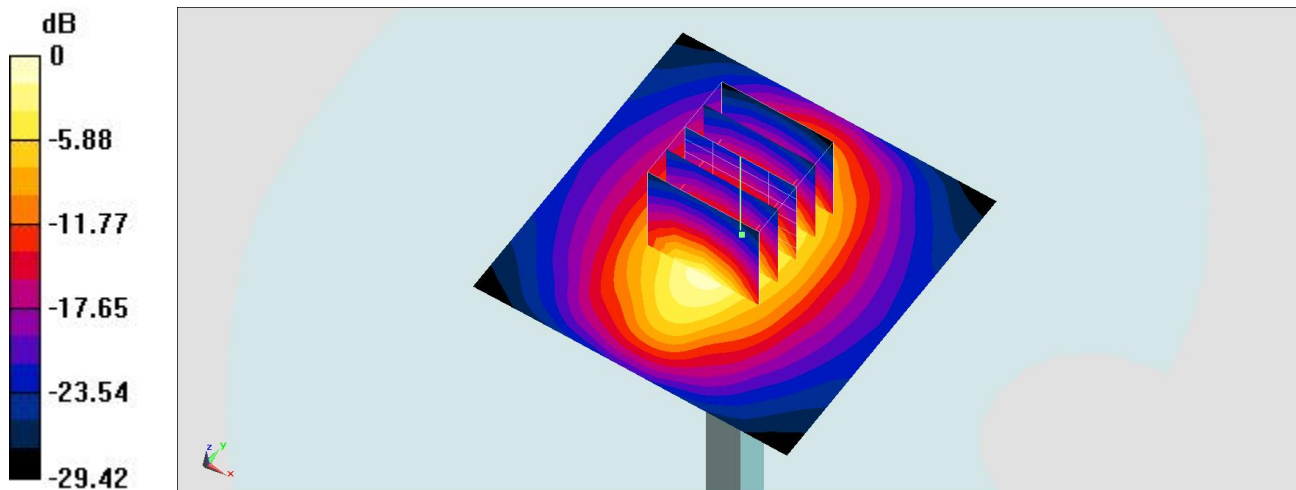
**Configuration/Pin=250mW/Zoom Scan (5x5x7)/Cube 0:** Measurement grid: dx=8mm, dy=8mm, dz=5mm

Reference Value = 111.3 V/m; Power Drift = 0.04 dB

Peak SAR (extrapolated) = 19.5 W/kg

**SAR(1 g) = 10.5 W/kg; SAR(10 g) = 5.42 W/kg**

Maximum value of SAR (measured) = 15.0 W/kg



0 dB = 15.2 W/kg = 11.82 dBW/kg

## System Check\_Body\_1900MHz

### DUT: D1900V2-5d041

Communication System: CW ; Frequency: 1900 MHz; Duty Cycle: 1:1

Medium: MSL\_1900\_160524 Medium parameters used:  $f = 1900$  MHz;  $\sigma = 1.58$  S/m;  $\epsilon_r = 52.579$ ;  $\rho = 1000$  kg/m<sup>3</sup>

Ambient Temperature : 23.3 °C; Liquid Temperature : 22.3 °C

### DASY5 Configuration

- Probe: ES3DV3 - SN3270; ConvF(4.78, 4.78, 4.78); Calibrated: 2015/9/28;
- Sensor-Surface: 3mm (Mechanical Surface Detection)
- Electronics: DAE4 Sn1399; Calibrated: 2015/11/23
- Phantom: SAM\_RIGHT; Type: QD000P40CD; Serial: 1719
- Measurement SW: DASY52, Version 52.8 (7); SEMCAD X Version 14.6.10 (7164)

**Configuration/Pin=250mW/Area Scan (61x61x1):** Interpolated grid: dx=1.500 mm, dy=1.500 mm

Maximum value of SAR (interpolated) = 13.9 W/kg

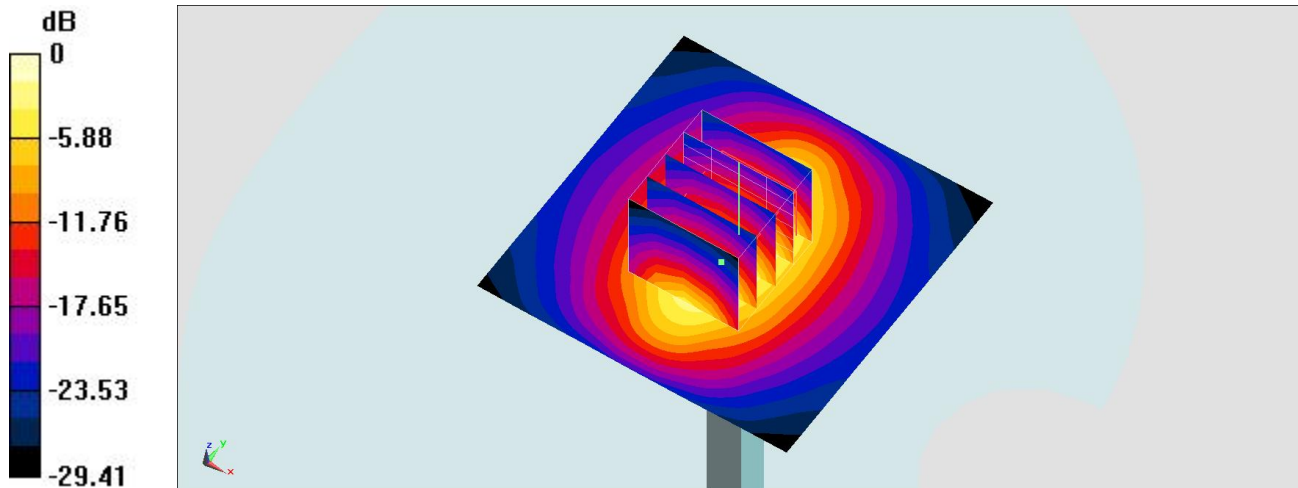
**Configuration/Pin=250mW/Zoom Scan (5x5x7)/Cube 0:** Measurement grid: dx=8mm, dy=8mm, dz=5mm

Reference Value = 96.988 V/m; Power Drift = -0.10 dB

Peak SAR (extrapolated) = 18.2 W/kg

**SAR(1 g) = 10.4 W/kg; SAR(10 g) = 5.5 W/kg**

Maximum value of SAR (measured) = 12.8 W/kg



0 dB = 13.9 W/kg = 11.43 dBW/kg

## System Check\_Head\_2450MHz

**DUT: D2450V2-736**

Communication System: CW; Frequency: 2450 MHz; Duty Cycle: 1:1

Medium: HSL\_2450\_160526 Medium parameters used:  $f = 2450$  MHz;  $\sigma = 1.841$  S/m;  $\epsilon_r = 38.816$ ;  $\rho = 1000$  kg/m<sup>3</sup>

Ambient Temperature : 23.2 °C; Liquid Temperature : 22.2 °C

### DASY5 Configuration

- Probe: ES3DV3 - SN3270; ConvF(4.59, 4.59, 4.59); Calibrated: 2015/9/28;
- Sensor-Surface: 3mm (Mechanical Surface Detection)
- Electronics: DAE4 Sn1399; Calibrated: 2015/11/23
- Phantom: SAM LEFT; Type: QD000P40CD; Serial: TP:1718
- Measurement SW: DASY52, Version 52.8 (7); SEMCAD X Version 14.6.10 (7164)

**Pin=250mW/Area Scan (61x61x1):** Interpolated grid: dx=1.200 mm, dy=1.200 mm

Maximum value of SAR (interpolated) = 18.7 W/kg

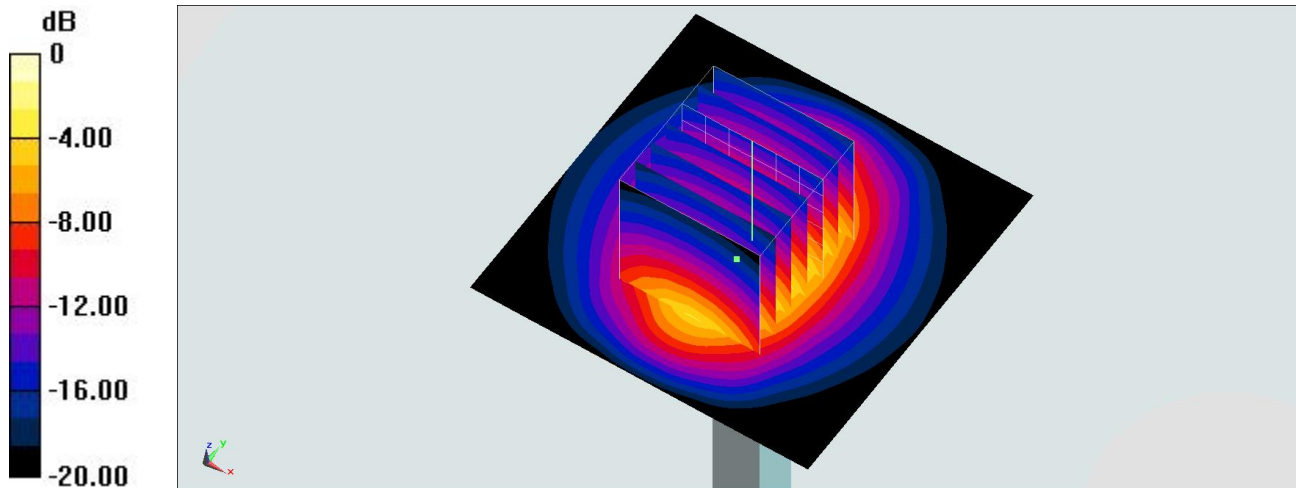
**Pin=250mW/Zoom Scan (7x7x7)/Cube 0:** Measurement grid: dx=5mm, dy=5mm, dz=5mm

Reference Value = 103.6 V/m; Power Drift = -0.08 dB

Peak SAR (extrapolated) = 28.2 W/kg

**SAR(1 g) = 13.6 W/kg; SAR(10 g) = 6.24 W/kg**

Maximum value of SAR (measured) = 17.9 W/kg



0 dB = 18.7 W/kg = 12.72 dBW/kg

## System Check\_Body\_2450MHz

**DUT: D2450V2-736**

Communication System: CW; Frequency: 2450 MHz; Duty Cycle: 1:1

Medium: MSL\_2450\_160525 Medium parameters used:  $f = 2450$  MHz;  $\sigma = 1.975$  S/m;  $\epsilon_r = 53.476$ ;  $\rho = 1000$  kg/m<sup>3</sup>

Ambient Temperature : 23.2 °C; Liquid Temperature : 22.2 °C

### DASY5 Configuration

- Probe: ES3DV3 - SN3270; ConvF(4.37, 4.37, 4.37); Calibrated: 2015/9/28;
- Sensor-Surface: 3mm (Mechanical Surface Detection)
- Electronics: DAE4 Sn1399; Calibrated: 2015/11/23
- Phantom: SAM LEFT; Type: QD000P40CD; Serial: TP:1718
- Measurement SW: DASY52, Version 52.8 (7); SEMCAD X Version 14.6.10 (7164)

**Configuration/Pin=250mW/Area Scan (71x71x1):** Interpolated grid: dx=1.200 mm, dy=1.200 mm

Maximum value of SAR (interpolated) = 20.6 W/kg

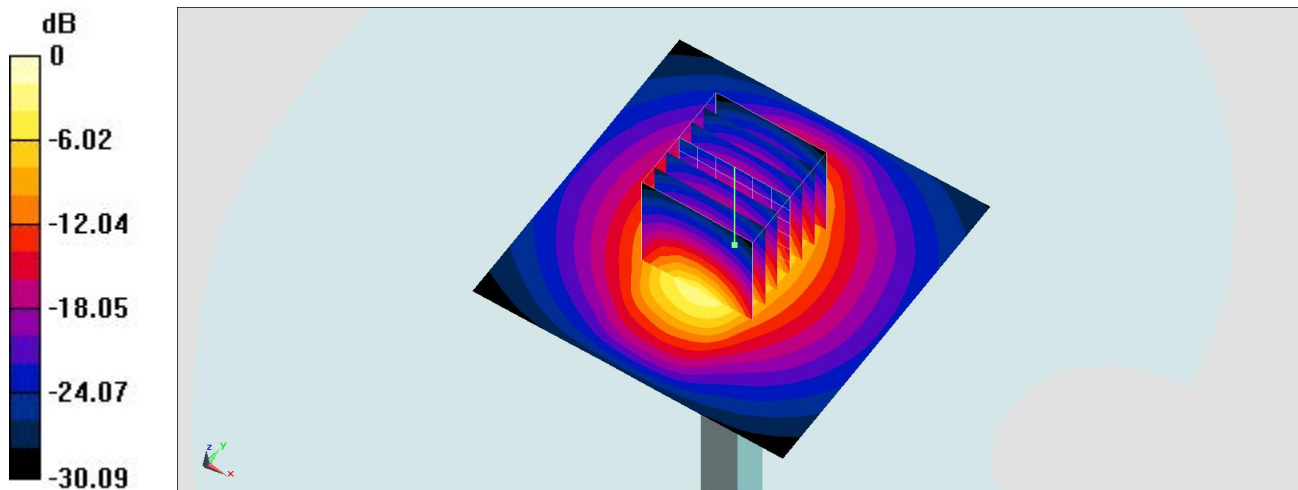
**Configuration/Pin=250mW/Zoom Scan (7x7x7)/Cube 0:** Measurement grid: dx=5mm, dy=5mm, dz=5mm

Reference Value = 109.8 V/m; Power Drift = -0.00 dB

Peak SAR (extrapolated) = 27.2 W/kg

**SAR(1 g) = 13.2 W/kg; SAR(10 g) = 6.11 W/kg**

Maximum value of SAR (measured) = 20.2 W/kg



0 dB = 20.6 W/kg = 13.14 dBW/kg

## System Check\_Head\_2600MHz

### DUT: D2600V2-1008

Communication System: CW; Frequency: 2600 MHz; Duty Cycle: 1:1

Medium: HSL\_2600\_160524 Medium parameters used:  $f = 2600$  MHz;  $\sigma = 1.922$  S/m;  $\epsilon_r = 39.447$ ;  $\rho = 1000$  kg/m<sup>3</sup>

Ambient Temperature : 23.6 °C; Liquid Temperature : 22.6 °C

### DASY5 Configuration

- Probe: ES3DV3 - SN3270; ConvF(4.44, 4.44, 4.44); Calibrated: 2015/9/28;
- Sensor-Surface: 3mm (Mechanical Surface Detection)
- Electronics: DAE4 Sn1399; Calibrated: 2015/11/23
- Phantom: SAM LEFT; Type: QD000P40CD; Serial: TP:1718
- Measurement SW: DASY52, Version 52.8 (7); SEMCAD X Version 14.6.10 (7164)

**Pin=250mW/Area Scan (81x81x1):** Interpolated grid: dx=1.200 mm, dy=1.200 mm

Maximum value of SAR (interpolated) = 22.0 W/kg

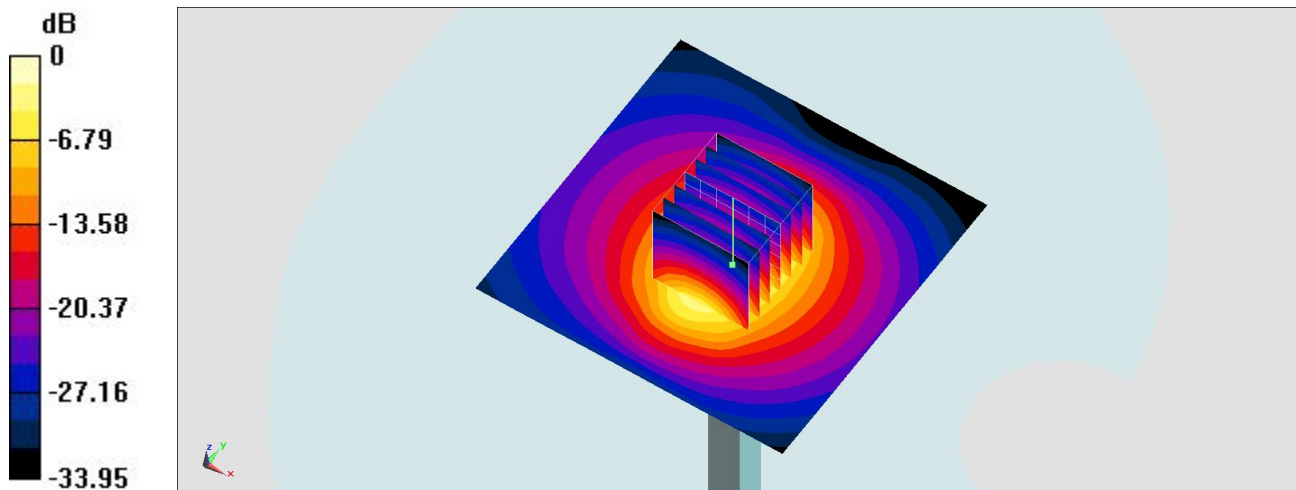
**Pin=250mW/Zoom Scan (7x7x7)/Cube 0:** Measurement grid: dx=5mm, dy=5mm, dz=5mm

Reference Value = 117.6 V/m; Power Drift = -0.12 dB

Peak SAR (extrapolated) = 30.4 W/kg

**SAR(1 g) = 14.2 W/kg; SAR(10 g) = 6.29 W/kg**

Maximum value of SAR (measured) = 21.9 W/kg



0 dB = 22.0 W/kg = 13.42 dBW/kg

## System Check\_Body\_2600MHz

### DUT: D2600V2-1008

Communication System: CW; Frequency: 2600 MHz; Duty Cycle: 1:1

Medium: MSL\_2600\_160525 Medium parameters used:  $f = 2600$  MHz;  $\sigma = 2.182$  S/m;  $\epsilon_r = 52.973$ ;  $\rho = 1000$  kg/m<sup>3</sup>

Ambient Temperature : 23.3 °C; Liquid Temperature : 22.3 °C

### DASY5 Configuration

- Probe: ES3DV3 - SN3270; ConvF(4.27, 4.27, 4.27); Calibrated: 2015/9/28;
- Sensor-Surface: 3mm (Mechanical Surface Detection)
- Electronics: DAE4 Sn1399; Calibrated: 2015/11/23
- Phantom: SAM LEFT; Type: QD000P40CD; Serial: TP:1718
- Measurement SW: DASY52, Version 52.8 (7); SEMCAD X Version 14.6.10 (7164)

**Configuration/Pin=250mW/Area Scan (71x71x1):** Interpolated grid: dx=1.200 mm, dy=1.200 mm

Maximum value of SAR (interpolated) = 19.1 W/kg

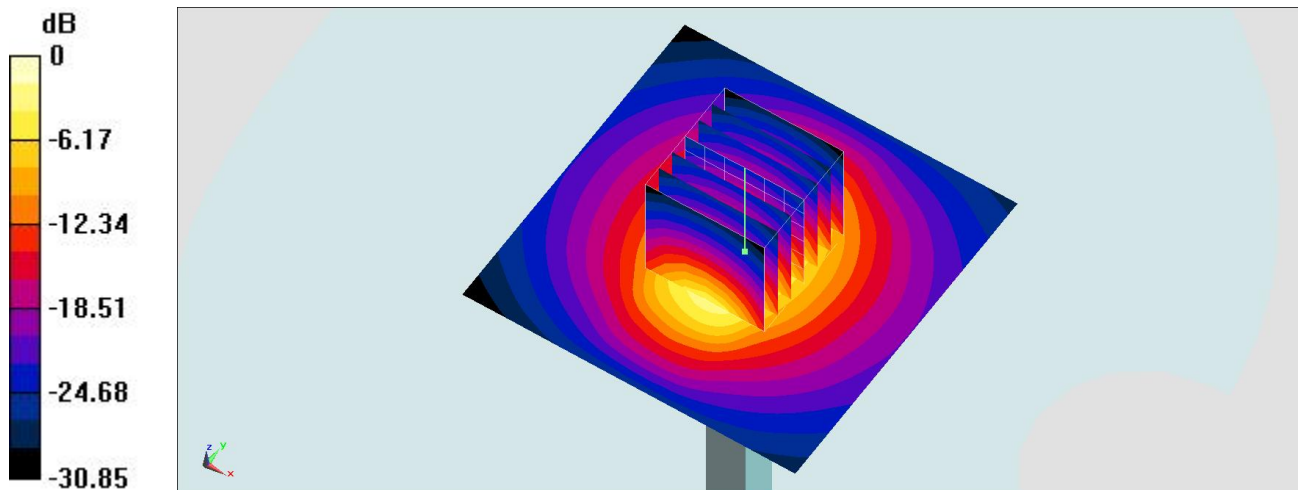
**Configuration/Pin=250mW/Zoom Scan (7x7x7)/Cube 0:** Measurement grid: dx=5mm, dy=5mm, dz=5mm

Reference Value = 97.350 V/m; Power Drift = 0.19 dB

Peak SAR (extrapolated) = 29.2 W/kg

**SAR(1 g) = 13.3 W/kg; SAR(10 g) = 5.91 W/kg**

Maximum value of SAR (measured) = 21.1 W/kg



0 dB = 19.1 W/kg = 12.81 dBW/kg

## System Check\_Body\_5200MHz

### DUT: D5GHzV2-1006

Communication System: CW ; Frequency: 5200 MHz;Duty Cycle: 1:1

Medium: MSL\_5G\_160526 Medium parameters used:  $f = 5200 \text{ MHz}$ ;  $\sigma = 5.33 \text{ mho/m}$ ;  $\epsilon_r = 46.8$ ;  $\rho = 1000 \text{ kg/m}^3$

Ambient Temperature :  $23.4 \text{ }^\circ\text{C}$ ; Liquid Temperature :  $22.4 \text{ }^\circ\text{C}$

DASY4 Configuration:

- Probe: EX3DV4 - SN7346; ConvF(4.64, 4.64, 4.64); Calibrated: 2015/9/2
- Sensor-Surface: 1.4mm (Mechanical Surface Detection)
- Electronics: DAE4 Sn916; Calibrated: 2015/12/16
- Phantom: SAM\_Right; Type: SAM\_Right; Serial: TP-1303
- ;Postprocessing SW: SEMCAD, V1.8 Build 159

**Pin=100mW/Area Scan (71x71x1):** Measurement grid:  $dx=10\text{mm}$ ,  $dy=10\text{mm}$

Maximum value of SAR (interpolated) =  $15.5 \text{ mW/g}$

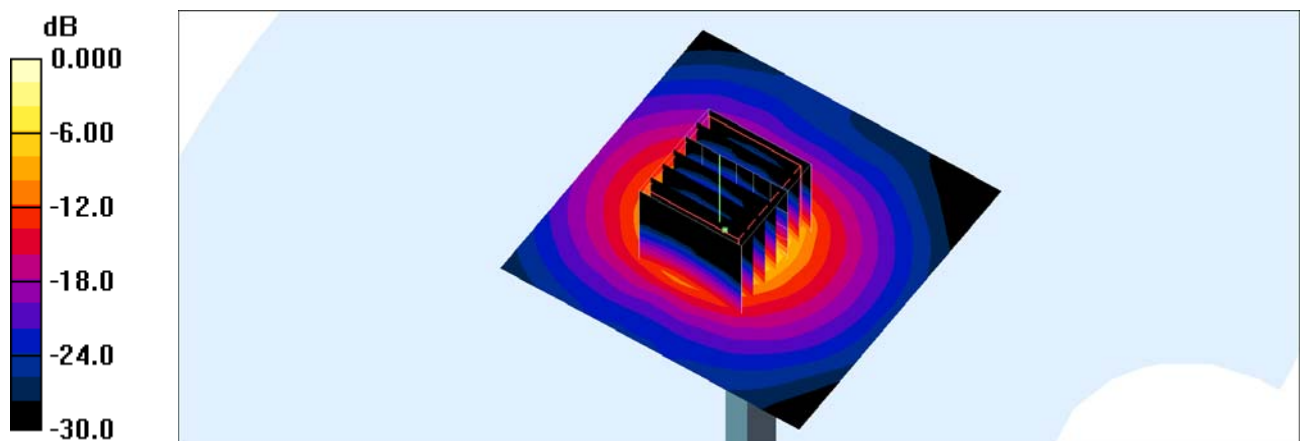
**Pin=100mW/Zoom Scan (7x7x7)/Cube 0:** Measurement grid:  $dx=4\text{mm}$ ,  $dy=4\text{mm}$ ,  $dz=1.4\text{mm}$

Reference Value =  $41.8 \text{ V/m}$ ; Power Drift =  $0.118 \text{ dB}$

Peak SAR (extrapolated) =  $30.1 \text{ W/kg}$

**SAR(1 g) =  $7.31 \text{ mW/g}$ ; SAR(10 g) =  $1.95 \text{ mW/g}$**

Maximum value of SAR (measured) =  $17.8 \text{ mW/g}$



0 dB =  $17.8\text{mW/g}$

## System Check\_Head\_5300MHz

### DUT: D5GHzV2-1006

Communication System: CW; Frequency: 5300 MHz; Duty Cycle: 1:1

Medium: HSL\_5G\_160527 Medium parameters used:  $f = 5300$  MHz;  $\sigma = 4.54$  mho/m;  $\epsilon_r = 36.3$ ;  $\rho = 1000$  kg/m<sup>3</sup>

Ambient Temperature : 23.5 °C; Liquid Temperature : 22.5 °C

DASY4 Configuration:

- Probe: EX3DV4 - SN7346; ConvF(5.09, 5.09, 5.09); Calibrated: 2015/9/2
- Sensor-Surface: 1.4mm (Mechanical Surface Detection)
- Electronics: DAE4 Sn916; Calibrated: 2015/12/16
- Phantom: SAM\_Right; Type: SAM\_Right; Serial: TP-1303
- ;Postprocessing SW: SEMCAD, V1.8 Build 159

**Pin=100mW/Area Scan (71x71x1):** Measurement grid: dx=10mm, dy=10mm

Maximum value of SAR (interpolated) = 15.5 mW/g

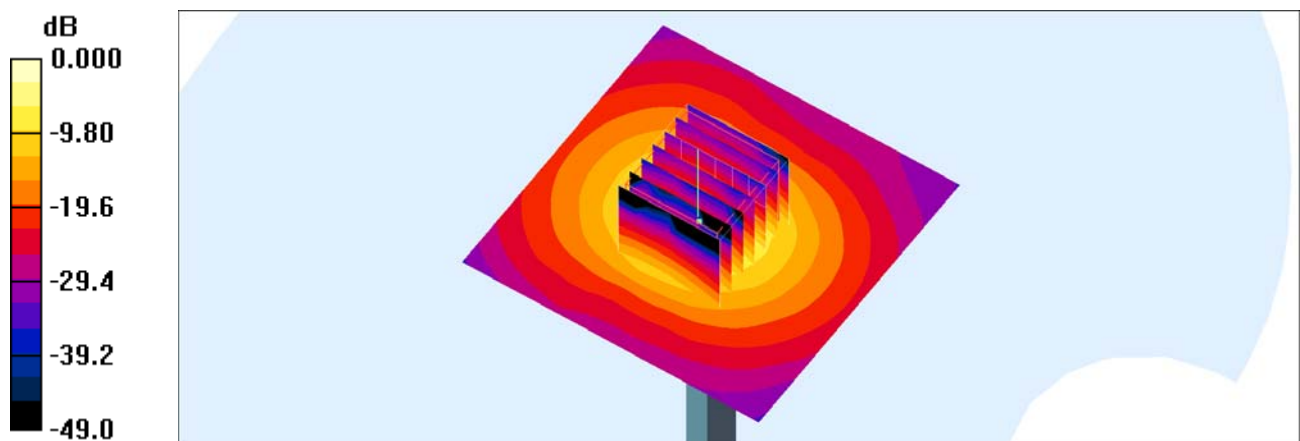
**Pin=100mW/Zoom Scan (7x7x7)/Cube 0:** Measurement grid: dx=4mm, dy=4mm, dz=1.4mm

Reference Value = 63.4 V/m; Power Drift = 0.13 dB

Peak SAR (extrapolated) = 33.1 W/kg

**SAR(1 g) = 8.06 mW/g; SAR(10 g) = 2.22 mW/g**

Maximum value of SAR (measured) = 20.2 mW/g



0 dB = 20.2mW/g

## System Check\_Body\_5300MHz

### DUT: D5GHzV2-1006

Communication System: CW; Frequency: 5300 MHz; Duty Cycle: 1:1

Medium: MSL\_5G\_160526 Medium parameters used:  $f = 5300 \text{ MHz}$ ;  $\sigma = 5.46 \text{ mho/m}$ ;  $\epsilon_r = 46.7$ ;  $\rho = 1000 \text{ kg/m}^3$

Ambient Temperature :  $23.4 \text{ }^\circ\text{C}$ ; Liquid Temperature :  $22.4 \text{ }^\circ\text{C}$

#### DASY4 Configuration:

- Probe: EX3DV4 - SN7346; ConvF(4.42, 4.42, 4.42); Calibrated: 2015/9/2
- Sensor-Surface: 1.4mm (Mechanical Surface Detection)
- Electronics: DAE4 Sn916; Calibrated: 2015/12/16
- Phantom: SAM\_Right; Type: SAM\_Right; Serial: TP-1303
- ;Postprocessing SW: SEMCAD, V1.8 Build 159

**Pin=100mW/Area Scan (71x71x1):** Measurement grid:  $dx=10\text{mm}$ ,  $dy=10\text{mm}$

Maximum value of SAR (interpolated) =  $18.3 \text{ mW/g}$

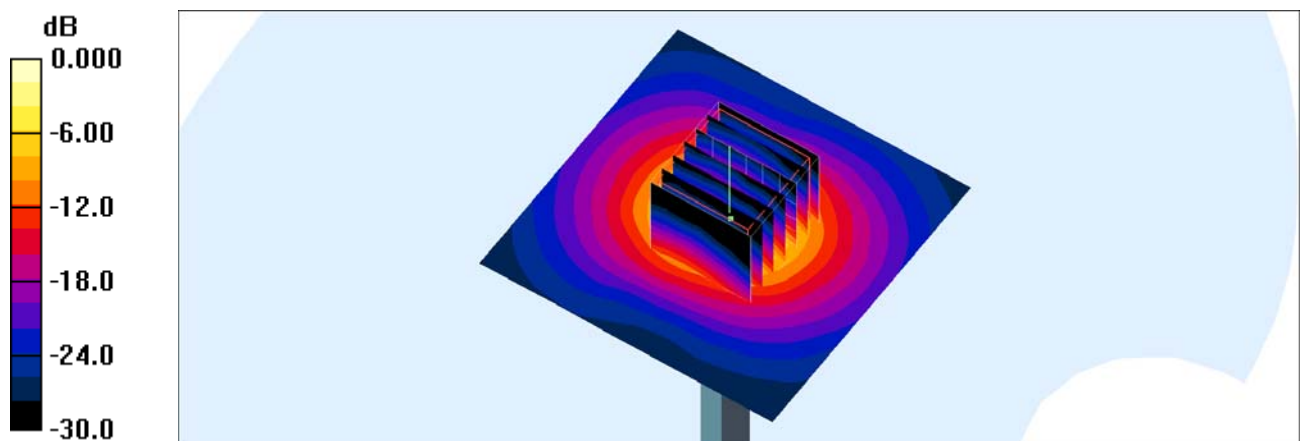
**Pin=100mW/Zoom Scan (7x7x7)/Cube 0:** Measurement grid:  $dx=4\text{mm}$ ,  $dy=4\text{mm}$ ,  $dz=1.4\text{mm}$

Reference Value =  $46.4 \text{ V/m}$ ; Power Drift =  $-0.097 \text{ dB}$

Peak SAR (extrapolated) =  $29.2 \text{ W/kg}$

**SAR(1 g) =  $7.46 \text{ mW/g}$ ; SAR(10 g) =  $2.08 \text{ mW/g}$**

Maximum value of SAR (measured) =  $17.7 \text{ mW/g}$



0 dB =  $17.7\text{mW/g}$

## System Check\_Head\_5600MHz

### DUT: D5GHzV2-1006

Communication System: CW; Frequency: 5600 MHz; Duty Cycle: 1:1

Medium: HSL\_5G\_160527 Medium parameters used:  $f = 5600$  MHz;  $\sigma = 4.83$  mho/m;  $\epsilon_r = 35.8$ ;  $\rho = 1000$  kg/m<sup>3</sup>

Ambient Temperature : 23.5 °C; Liquid Temperature : 22.5 °C

DASY4 Configuration:

- Probe: EX3DV4 - SN7346; ConvF(4.48, 4.48, 4.48); Calibrated: 2015/9/2
- Sensor-Surface: 1.4mm (Mechanical Surface Detection)
- Electronics: DAE4 Sn916; Calibrated: 2015/12/16
- Phantom: SAM\_Right; Type: SAM\_Right; Serial: TP-1303
- ;Postprocessing SW: SEMCAD, V1.8 Build 159

**Pin=100mW/Area Scan (71x71x1):** Measurement grid: dx=10mm, dy=10mm

Maximum value of SAR (interpolated) = 22.3 mW/g

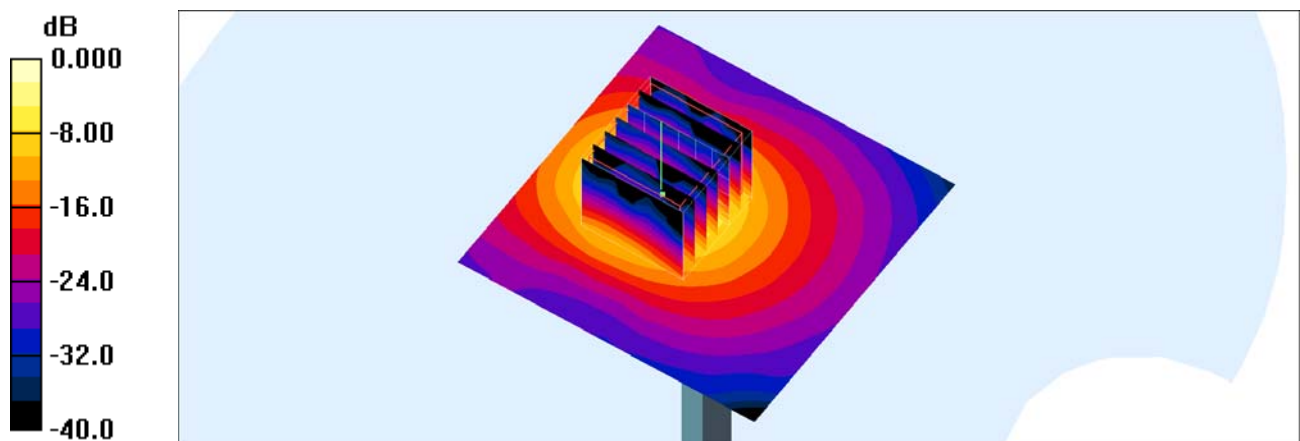
**Pin=100mW/Zoom Scan (7x7x7)/Cube 0:** Measurement grid: dx=4mm, dy=4mm, dz=1.4mm

Reference Value = 38.7 V/m; Power Drift = 0.100 dB

Peak SAR (extrapolated) = 38.7 W/kg

**SAR(1 g) = 8.92 mW/g; SAR(10 g) = 2.43 mW/g**

Maximum value of SAR (measured) = 22.9 mW/g



0 dB = 22.9mW/g

## System Check\_Body\_5600MHz

### DUT: D5GHzV2-1006

Communication System: CW; Frequency: 5600 MHz; Duty Cycle: 1:1

Medium: MSL\_5G\_160526 Medium parameters used:  $f = 5600$  MHz;  $\sigma = 5.85$  mho/m;  $\epsilon_r = 46.2$ ;  $\rho = 1000$  kg/m<sup>3</sup>

Ambient Temperature : 23.4 °C ; Liquid Temperature : 22.4 °C

#### DASY4 Configuration:

- Probe: EX3DV4 - SN7346; ConvF(3.9, 3.9, 3.9); Calibrated: 2015/9/2
- Sensor-Surface: 1.4mm (Mechanical Surface Detection)
- Electronics: DAE4 Sn916; Calibrated: 2015/12/16
- Phantom: SAM\_Right; Type: SAM\_Right; Serial: TP-1303
- ;Postprocessing SW: SEMCAD, V1.8 Build 159

**Pin=100mW/Area Scan (71x71x1):** Measurement grid: dx=10mm, dy=10mm

Maximum value of SAR (interpolated) = 22.0 mW/g

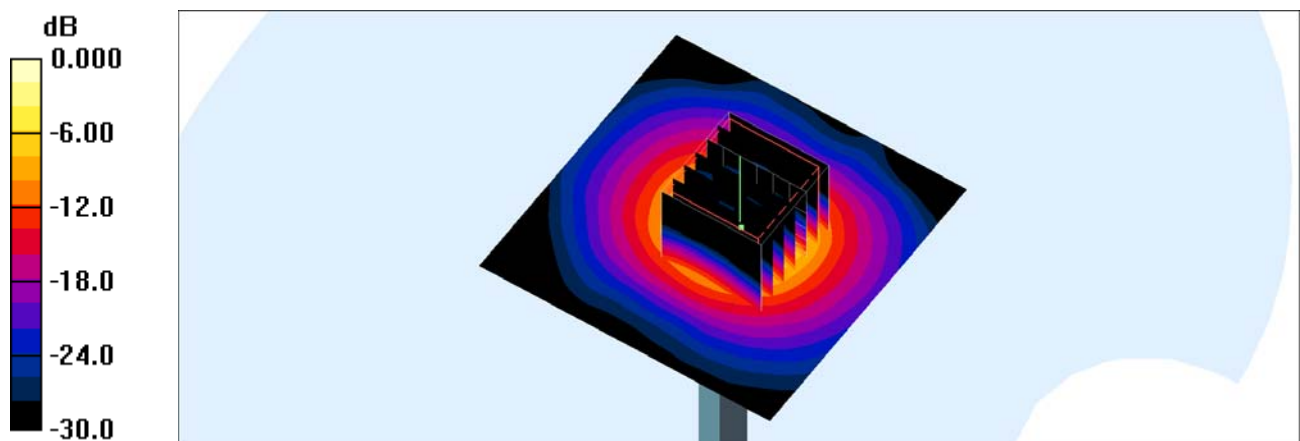
**Pin=100mW/Zoom Scan (7x7x7)/Cube 0:** Measurement grid: dx=4mm, dy=4mm, dz=1.4mm

Reference Value = 66.0 V/m; Power Drift = -0.062 dB

Peak SAR (extrapolated) = 37.4 W/kg

**SAR(1 g) = 8.39 mW/g; SAR(10 g) = 2.23 mW/g**

Maximum value of SAR (measured) = 21.3 mW/g



0 dB = 21.3mW/g

## System Check\_Head\_5800MHz

### DUT: D5GHzV2-1006

Communication System: CW; Frequency: 5800 MHz; Duty Cycle: 1:1

Medium: HSL\_5G\_160527 Medium parameters used:  $f = 5800$  MHz;  $\sigma = 5.02$  mho/m;  $\epsilon_r = 35.6$ ;  $\rho = 1000$  kg/m<sup>3</sup>

Ambient Temperature : 23.5 °C; Liquid Temperature : 22.5 °C

#### DASY4 Configuration:

- Probe: EX3DV4 - SN7346; ConvF(4.59, 4.59, 4.59); Calibrated: 2015/9/2
- Sensor-Surface: 1.4mm (Mechanical Surface Detection)
- Electronics: DAE4 Sn916; Calibrated: 2015/12/16
- Phantom: SAM\_Right; Type: SAM\_Right; Serial: TP-1303
- ;Postprocessing SW: SEMCAD, V1.8 Build 159

**Pin=100mW/Area Scan (71x71x1):** Measurement grid: dx=10mm, dy=10mm

Maximum value of SAR (interpolated) = 20.2 mW/g

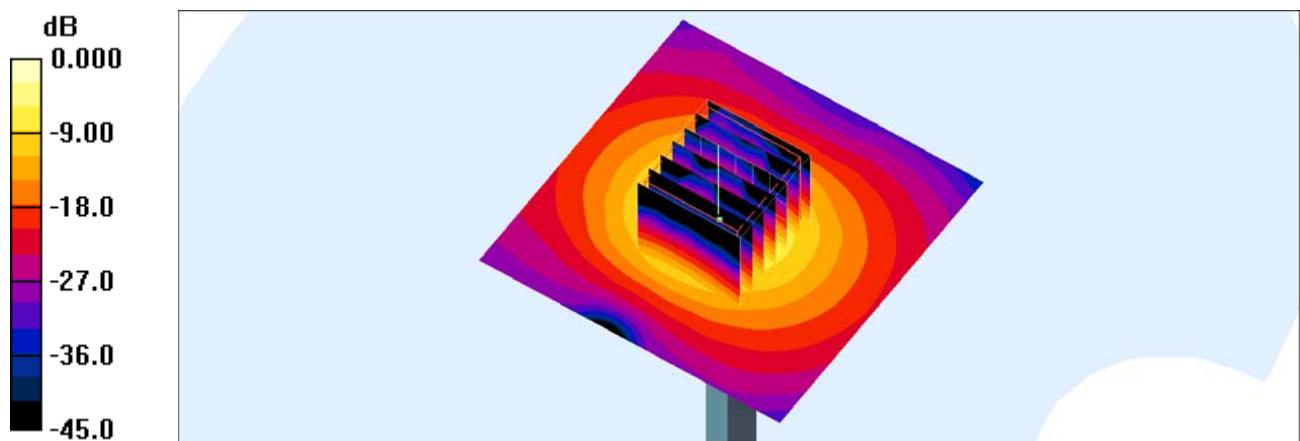
**Pin=100mW/Zoom Scan (7x7x7)/Cube 0:** Measurement grid: dx=4mm, dy=4mm, dz=1.4mm

Reference Value = 69.1 V/m; Power Drift = 0.109 dB

Peak SAR (extrapolated) = 36.5 W/kg

**SAR(1 g) = 8.03 mW/g; SAR(10 g) = 2.2 mW/g**

Maximum value of SAR (measured) = 20.9 mW/g



## System Check\_Body\_5800MHz

### DUT: D5GHzV2-1006

Communication System: CW; Frequency: 5800 MHz; Duty Cycle: 1:1

Medium: MSL\_5G\_160526 Medium parameters used:  $f = 5800 \text{ MHz}$ ;  $\sigma = 6.1 \text{ mho/m}$ ;  $\epsilon_r = 45.9$ ;  $\rho = 1000 \text{ kg/m}^3$

Ambient Temperature :  $23.4 \text{ }^\circ\text{C}$ ; Liquid Temperature :  $22.4 \text{ }^\circ\text{C}$

DASY4 Configuration:

- Probe: EX3DV4 - SN7346; ConvF(4.08, 4.08, 4.08); Calibrated: 2015/9/2
- Sensor-Surface: 1.4mm (Mechanical Surface Detection)
- Electronics: DAE4 Sn916; Calibrated: 2015/12/16
- Phantom: SAM\_Right; Type: SAM\_Right; Serial: TP-1303
- ;Postprocessing SW: SEMCAD, V1.8 Build 159

**Pin=100mW/Area Scan (71x71x1):** Measurement grid:  $dx=10\text{mm}$ ,  $dy=10\text{mm}$

Maximum value of SAR (interpolated) =  $21.6 \text{ mW/g}$

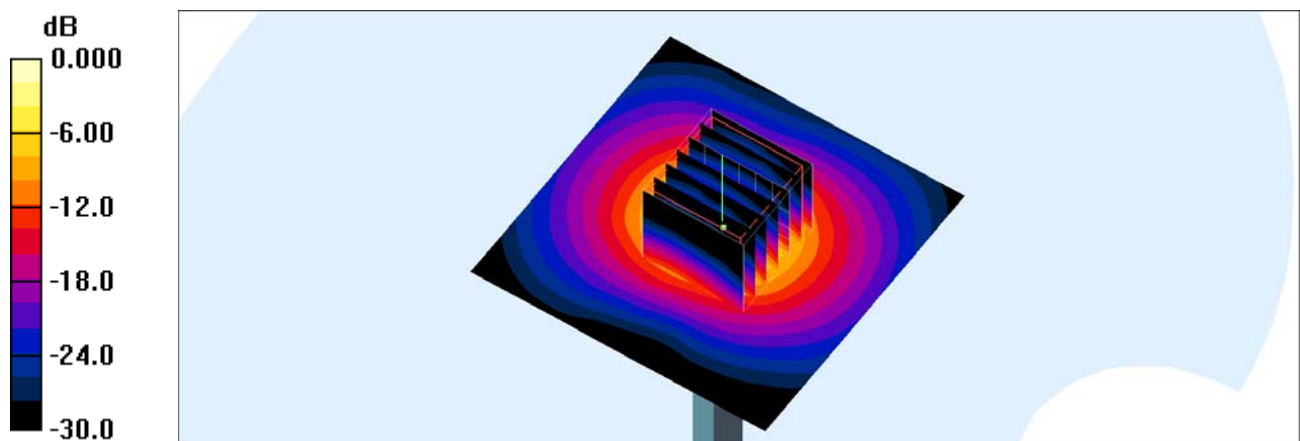
**Pin=100mW/Zoom Scan (7x7x7)/Cube 0:** Measurement grid:  $dx=4\text{mm}$ ,  $dy=4\text{mm}$ ,  $dz=1.4\text{mm}$

Reference Value =  $45.8 \text{ V/m}$ ; Power Drift =  $0.022 \text{ dB}$

Peak SAR (extrapolated) =  $38.4 \text{ W/kg}$

**SAR(1 g) =  $8.52 \text{ mW/g}$ ; SAR(10 g) =  $2.34 \text{ mW/g}$**

Maximum value of SAR (measured) =  $21.8 \text{ mW/g}$



0 dB =  $21.8\text{mW/g}$