

## Exhibit 7a. Measurement Procedures -- 47 CFR 2.947

This exhibit presents a summary of how the measurements were made.

### 7a.1 RF Power -- Pursuant to 47 CFR 2.947(c) and 47 CFR 2.1046

Method of Measurement (Conducted Output Power): Adaptation of TIA/EIA-603-A clause 2.2.1 for Pulsed Measurements.

The RF output power is not adjustable by the user. The output power is controlled by the radio in response to the received signal strength or by or special radio service software. To obtain RF output power reading, the radio was programmed to utilize the maximum and minimum output power setting. To correct the average reading power meter, a setting of the duty cycle on the RF power meter was set to 16.667% for herein reported 6:1 TDM test signals.

A special DC/RF test fixture was utilized to interface with the radio test RF connector while simultaneously supplying the nominal operating voltage of 4.0V. The radio RF connector is utilized in all factory tuning and testing procedures, and provides a 50 ohm connection to the transmitter path while disconnecting the radio antenna. All conducted measurements were performed via this test port.

*NOTE: This DC/RF test fixture is not offered for sale.*

Method of Measurement (Effective Radiated Power): TIA/EIA-603-B 2.2.17.2

The ERP characteristic was measured while a radio was set to transmit a test mode CW signal at the maximum rated output power (+/- 5%) and was vertically mounted on a non-conducting platform/turntable in a RF Anechoic Chamber. The power received at an antenna located at the end of the chamber was recorded on a spectrum analyzer for a complete 360-degree rotation. The same procedure was repeated for 800 and 900 MHz sleeve reference dipole. The CW RF output power of the radio product was measured by a conducted means to determine the necessary input power for the reference dipole (after compensation for interface, cable, and antenna losses). The maximum power levels measured were compared to determine the antenna gain of the radio antenna in reference to the standard dipole. This relative antenna gain was used to scale the maximum RF conducted output power and determine the maximum herein reported ERP.

**7a.2 Emission Mask-- Pursuant to 47 CFR 2.947(b) and 47 CFR 2.1049(h).**

Method of Measurement: Per TIA/EIA-603-A clause 2.2.11

- (1) Set the radio for measurement of RF output power using the power test procedure in the service manual which employs a pseudo random data sequence per part 2.1049(h), and attach it to a spectrum analyzer through a 10 dB attenuator. The analyzer is to be set for peak detection with a video bandwidth of 3 times the resolution bandwidth setting, a span of 100 kHz, and a sweep period of 20 seconds.
- (2) Using a 30 kHz resolution bandwidth to assure that essentially all of the transmitted energy is measured, obtain a “rainbow” curve and adjust the analyzer setting so that the crest of the curve lies at the 0 dB reference locations. This is portrayed as blue line on the analyzer display.
- (3) Reduce the resolution bandwidth to 300 Hz to characterize the transmitter emission on-channel and adjacent channels spectral performance characteristic. This is portrayed as yellow line on the analyzer display of the figures.
- (4) Overlay the applicable emission mask on the analyzer display as red line.
- (5) Compare yellow line and red line to ensure that the spectrum never exceeds the applicable emission mask.

**For Quad-QPSK Modulation:**

32k Bits per Second Pseudo-Random Digital Modulation.

Vertical division: 10 dB/div.

Carrier Reference: Carrier Reference 0 dB corresponds to maximum and minimum peak output power settings, respectively.

**For Quad-16QAM Modulation:**

64k Bits per Second Pseudo-Random Digital Modulation

Vertical: 10 dB/div

Carrier Reference: Carrier Reference 0 dB corresponds to maximum and minimum peak output power settings, respectively.

**For Quad-64QAM Modulation:**

96k Bits per Second Pseudo-Random Digital Modulation

Vertical: 10 dB/div

Carrier Reference: Carrier Reference 0 dB corresponds to maximum and minimum peak output power settings, respectively.

One trace was used to capture transmitter performance, measured using a resolution bandwidth of 300 Hz, while the reference level was obtained by another trace, using a resolution bandwidth of 30 kHz. A third trace shows the applicable emission mask.

### 7a.3 Frequency Stability -- Pursuant to 47 CFR 2.947(c) and 47 CFR 2.1055

Measuring the frequency accuracy of the iDEN time division multiplexed (TDM) transmitter needs special procedures for 3 reasons. First is the short (15 ms) nature of its TDM pulses, which preclude the use of an ordinary CW type digital frequency counter. Second, software in the radio prevents the radio from transmitting its TDM pulses unless it is receiving a signal on the trunking system control channel. Third, to maintain the very high stability (greater than that required by part 90 rules) needed for system operation, the radio transmitter frequency is controlled by an automatic frequency control loop in the radio's receiver which locks onto the system forward control channel produced by a compatible FCC certified part 90 base station. This process results in electronic adjustments of the synthesizer section of the radio, which is used for both transmission and reception.

As a result, unlike traditional transceivers which do not frequency lock to a remote base station reference frequency, the transmitter frequency accuracy is essentially independent of the voltage and temperature induced variations of the subject transceiver's frequency reference oscillator. Rather, the transceiver frequency stability is that of the remote base station, but degraded by any inaccuracy in the transceiver frequency locking process.

By locking onto a base station meeting the requirements of 47 CFR 90.213, which is necessary for the transceiver to function, the transceiver transmitter inherits the inherent 1.5 ppm or better stability of the compatible base station. To assure attainment of the frequency accuracy requirement (2.5 ppm accuracy requirement for the 800MHz band and the 0.5 ppm accuracy requirement for the 900MHz band) of part 90.213 for this transceiver, the frequency error is measured when locked to a base station simulator.

#### Frequency Error vs. temperature

The unit tested used a frequency of 858.45/813.45 MHz (800 MHz Band) and 937.48125/898.49375 MHz (900 MHz band). A Power Supply was controlled to provide a continuous 4.0 V<sub>DC</sub> to the unit tested. The sensor leads from the power supply were attached to the input of the DC/RF test fixture in which the radio was placed. A Temperature Chamber was used to control a temperature range of -30 degree Celsius to +60 degree Celsius.

At each set point, a soak time of 20 minutes was used to ensure thermal penetration of the unit tested before each measurement of frequency error was taken. A soak time of 45 minutes was used at -30 degree Celsius to ensure thermal penetration of the unit tested because of the variance from the starting temperature of +25 degree Celsius. Soak cycles of 20 minutes each thereafter were used because of the fact that the set points were incremented at 10 degree (Celsius) steps.

The measurement was taken by placing the unit tested into a phone call to the Motorola R2660C. The iDEN 3:1 Call Test on the Motorola R2660C was controlled to facilitate the call. Once the call had been established, a Hewlett Packard Model 89441A gathered measurements of the frequency error and recorded it to a data file.

After having taken measurement at a specific set point in the temperature range previously specified, the iDEN 3:1 Call test on the Motorola R2660C was terminated. The Temperature Chamber would proceed to its next increment and repeat the test execution process at the end of that particular soak cycle. The process was continued until measurements were made at each of the specified temperatures in the temperature range previously mentioned.

After having taken measurement at a specific set point in the temperature range previously specified, the transmission was terminated by sending a command. The Temperature Chamber would proceed to its next increment and repeat the test execution process at the end of that particular soak cycle. The process was continued until measurements were made at each of the specified temperatures in the temperature range previously mentioned.

#### Frequency Error vs. voltage

The unit tested used a frequency of 858.45/813.45 MHz (800 MHz Band) and 937.48125/898.49375 MHz (900 MHz band). A Power Supply was controlled to provide a voltage range of 3.55 V<sub>DC</sub> to 4.2VDC to the unit tested. The sensor leads from the power supply were attached to the input of the battery eliminator of the unit tested.

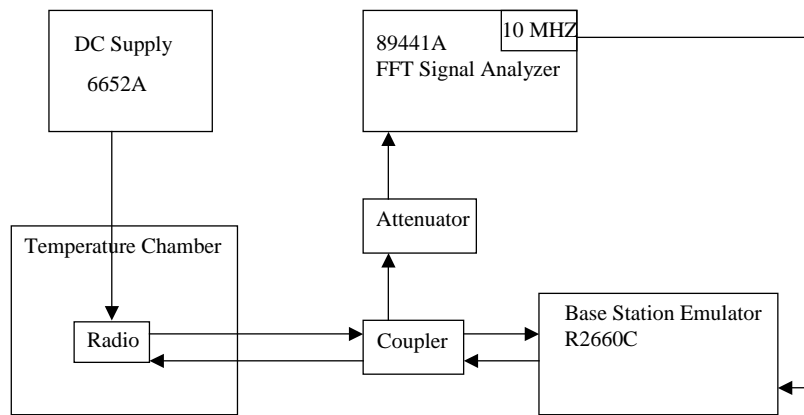
The measurements were taken by placing the unit tested into a phone call to the Motorola R2660C. The iDEN 3:1 Call Test on the Motorola R2660C was controlled to facilitate the call. Once the call had been established, a Hewlett Packard Model 89441A took measurement of the frequency error and recorded it to a data file.

After having taken a frequency error measurement at 4.2V<sub>DC</sub>, the Power Supply's output was reduced by 0.1 V<sub>DC</sub>. The measurement process was repeated until Frequency Error measurements were made in 0.1 V<sub>DC</sub> steps of each of the specified voltages in the range previously mentioned.

#### Method of Measurement: Proprietary

Since the transmitter frequency is locked to the frequency of the compatible base station via the receiver in this transceiver, frequency accuracy data was measured with the transceiver locked onto a base station transmitter emulated by a Motorola R2660C Service Monitor as shown in Figure 7-1. This was done using the Quad-16QAM time division duplex (TDD) characteristic of the transceiver wherein it was placed into a TDD mode of transmission as normally used to make a call to a landline phone.

During the test the transceiver was receiving a very high accuracy forward control channel frequency signal from the compatible base station emulator and TDD transmitting a signal on the reverse control channel at a frequency 45 MHz lower in the 800MHz band, (39 MHz lower in the 900MHz band) corresponding to the normally assigned frequency separation. A Hewlett Packard model 89441A signal analyzer was used to measure the centroid frequency of the emission. The frequency of the transceiver was measured as operating voltage or temperature was varied, and compared to the frequency of the assigned channel.



**Figure 7a-1: Transmit Frequency Measurement Setup**

**7a.4 Measurement Equipment List ---- 47 CFR 2.947(d)**

1. Spectrum Analyzer
  - H.P. 8566B
  - H.P. 8563E
  - Rhode & Schwarz ESI26
  - Rhode & Schwarz ESMI
  - Rhode & Schwarz FSEB
2. Vector Signal Analyzer
  - H.P. 89441A
3. Communications System Analyzer
  - Motorola R-2660 MIRS Digital Communication System Analyzer
4. Oscilloscope
  - HP 54616B, Oscilloscope
  - Tektronix, Model TCP202, Current Probe
5. RF Signal Generator
  - H.P. 8656A
  - Rhode and Schwarz SMP22
  - H.P. E4420A

6. Power Meter
  - H.P. 437B Power Meter
  - H.P. 8482A Power Sensor
  - Gigatronics 8651A Power Meter
  - Gigatronics 80701A Power Sensor
7. Multimeter
  - Keithley 2001 Multimeter
8. Power Supply
  - Motorola Lithium Ion Battery, Kit #: NTN 5705A
  - DC Power Supply, H.P., Model: 6652A
  - DC Power Supply, H.P., Model: 6632A
  - DC Power Supply, H.P., Model: 6032A
  - Battery Charger, Model: NNTN4680A
  - DC/RF Test Fixture, 22000uF shunt capacitor / series 0.2 ohm resistor
9. RF Load
  - Weinschel Engineering, Model: 9305-30, 20 Watt, 30 dB Attenuator
  - Weinschel Engineering, Model: 9305-10, 20 Watt, 10 dB Attenuator
  - Narda, Model: MOD766-30, 20 Watt, 30 dB Attenuator
10. Filter
  - Trilithic, Model: X5HX1612-0-75-AA, High Pass Filter
  - Trilithic, Model: R9H1-1G4/8G-28A, High Pass Filter
11. Amplifier
  - MITEQ AFS5-00101800-25-ULN, 1-18GHz, 25dB Gain Amplifier
  - PST 10W Amplifier
12. Antenna Chamber
  - Anechoic Chamber, RF/EMI Shielded Enclosure

## 13. Antenna

- Watkins - Johnson, 0.5 GHz - 12.4 GHz, Model WJ-48010
- Watkins - Johnson, Model: AR122
- A.H. Systems Inc., Model: SAS-200/571, 700MHz - 18GHz, Double Ridge Guide Horn
- EMCO, Model: 3141, 20MHz – 1GHz, Biconilog
- Schaffner-Chase EMC Ltd., Bilog Antenna, Model CBL6112B
- Watkins-Johnson L.P. antenna AR7-17A
- Reference Sleeve-Dipole

## 14. Temperature Chamber

- Thermotron, Model: S-8.0C

## 15. LISN

- EMCO, Model: 3810/2NM, Line Impedance Stabilization Network

## 16. Antenna Positioning Mast / Turntable

- Sunol Sciences Corp., Model: FM 2011, Turntable
- Sunol Sciences Corp., Model: TLT95, Antenna Positioning Mast
- Sunol Sciences Corp., Model: SC98V, System controller
- Scientific Atlanta Antenna Analyzer System 2083A

## 17. Vector Network Analyzer

- Anritsu MS4624B Vector Network Analyzer

## 18. Computers

- Dell, Laptop Computer
- Hitachi MX 166 computer, Hyperlink Terminal
- Dell Precision 420 Computer

## 19. Programming Cable

- RS232 Data Cable

## 20. Table

- Wood Table

## 21. RF Tray

- OATS RF Tray, Model 2000

22. Test Site

- OATS, Ground plane
- 60' Tapered Anechoic Chamber, Emerson & Cummings 1203
- TIMCO Engineering EMI Lab