

# FCC SAR Test Report

**APPLICANT** : Motorola Mobility, Inc.  
**EQUIPMENT** : Quad GSM/GPRS/EDGE(downlink only) and Dual band WCDMA UMTS850/1900 mobile phone with BT/Wi-Fi  
**BRAND NAME** : Motorola  
**MODEL NAME** : XT550  
**MARKETING NAME** : MOTOSMART™ MIX  
**TYPE NAME** : M0D25  
**GPPD NUMBER** : 3365  
**FCC ID** : IHDT56NM2  
**STANDARD** : FCC 47 CFR Part 2 (2.1093)  
IEEE C95.1-1991  
IEEE 1528-2003  
FCC OET Bulletin 65 Supplement C (Edition 01-01)

The product was received on Mar. 15, 2012 and completely tested on Mar. 27, 2012. We, SPORTON INTERNATIONAL INC., would like to declare that the tested sample has been evaluated in accordance with the procedures and shown the compliance with the applicable technical standards.

The test results in this report apply exclusively to the tested model / sample. Without written approval of SPORTON INTERNATIONAL INC., the test report shall not be reproduced except in full.

Reviewed by:



Jones Tsai / Manager



## SPORTON INTERNATIONAL INC.

No. 52, Hwa Ya 1<sup>st</sup> Rd., Hwa Ya Technology Park, Kwei-Shan Hsiang, Tao Yuan Hsien, Taiwan, R.O.C.



Table of Contents

1. Statement of Compliance ..... 4
2. Administration Data ..... 5
2.1 Testing Laboratory..... 5
2.2 Applicant ..... 5
2.3 Manufacturer..... 5
2.4 Application Details..... 5
3. General Information ..... 6
3.1 Description of Device Under Test (DUT) ..... 6
3.2 Applied Standards ..... 7
3.3 Device Category and SAR Limits ..... 8
3.4 Test Conditions..... 8
4. Specific Absorption Rate (SAR)..... 9
4.1 Introduction ..... 9
4.2 SAR Definition..... 9
5. SAR Measurement System .....10
5.1 E-Field Probe ..... 11
5.2 Data Acquisition Electronics (DAE) ..... 12
5.3 Robot ..... 12
5.4 Measurement Server..... 13
5.5 Phantom..... 13
5.6 Device Holder..... 14
5.7 Data Storage and Evaluation..... 16
5.8 Test Equipment List..... 18
6. Tissue Simulating Liquids .....19
7. Uncertainty Assessment ..... 21
8. SAR Measurement Evaluation ..... 23
8.1 Purpose of System Performance check ..... 23
8.2 System Setup..... 23
8.3 Validation Results..... 24
9. DUT Testing Position..... 25
9.1 Define two imaginary lines on the handset..... 25
9.2 Cheek Position ..... 26
9.3 Tilted Position..... 26
9.4 Body Worn Position..... 27
10. Measurement Procedures ..... 28
10.1 Spatial Peak SAR Evaluation ..... 28
10.2 Area & Zoom Scan Procedures..... 29
10.3 Volume Scan Procedures..... 29
10.4 SAR Averaged Methods ..... 29
10.5 Power Drift Monitoring..... 29
11. SAR Test Configurations..... 30
11.1 Exposure Positions Consideration..... 30
11.2 Simultaneous Transmitting Configurations ..... 31
12. SAR Test Results ..... 32
12.1 Conducted Power (Unit: dBm)..... 32
12.2 Test Records for Head SAR Test..... 36
12.3 Test Records for Hotspot SAR Test..... 37
12.4 Test Records for Body-worn SAR Test ..... 39
12.5 Simultaneous Multi-band Transmission..... 41
13. References..... 42

- Appendix A. Plots of System Performance Check
Appendix B. Plots of SAR Measurement
Appendix C. DASY Calibration Certificate



### Revision History

REPORT NO.	VERSION	DESCRIPTION	ISSUED DATE
FA211239-02	Rev. 01	Initial issue of report	Apr. 06, 2012
FA211239-02	Rev. 02	Update report of revising marketing name	May 08, 2012



### 1. Statement of Compliance

The maximum results of Specific Absorption Rate (SAR) found during testing for **Motorola Mobility, Inc. Quad GSM/GPRS/EDGE(downlink only) and Dual band WCDMA UMTS850/1900 mobile phone with BT/Wi-Fi Motorola XT550 MOTOSMART™ MIX** are as follows.

**<Standalone SAR>**

Band	Position	SAR <sub>10g</sub> (W/kg)
GSM850	Head	0.533
GSM1900	Head	0.486
WCDMA Band V	Head	0.497
WCDMA Band II	Head	0.649
802.11 b/g/n	Head	0.168
GSM850	Hotspot (1 cm Gap)	1.15
GSM1900	Hotspot (1 cm Gap)	0.85
WCDMA Band V	Hotspot (1 cm Gap)	1.23
WCDMA Band II	Hotspot (1 cm Gap)	1.33
802.11 b/g/n	Hotspot (1 cm Gap)	0.134
GSM850	Body-worn (1 cm Gap)	1.15
GSM1900	Body-worn (1 cm Gap)	0.598
WCDMA Band V	Body-worn (1 cm Gap)	1.23
WCDMA Band II	Body-worn (1 cm Gap)	0.857
802.11 b/g/n	Body-worn (1 cm Gap)	0.134

This device is in compliance with Specific Absorption Rate (SAR) for general population/uncontrolled exposure limits (1.6 W/kg) specified in FCC 47 CFR part 2 (2.1093) and ANSI/IEEE C95.1-1991, and had been tested in accordance with the measurement methods and procedures specified in IEEE 1528-2003 and FCC OET Bulletin 65 Supplement C (Edition 01-01).



## 2. Administration Data

### 2.1 Testing Laboratory

Test Site	SPORTON INTERNATIONAL INC.
Test Site Location	No. 52, Hwa Ya 1 <sup>st</sup> Rd., Hwa Ya Technology Park, Kwei-Shan Hsiang, Tao Yuan Hsien, Taiwan, R.O.C. TEL: +886-3-327-3456 FAX: +886-3-328-4978

### 2.2 Applicant

Company Name	Motorola Mobility, Inc.
Address	No. 1, Wang Jing East Road, Chao Yang District, 100102 Beijing, P. R. China

### 2.3 Manufacturer

Company Name	Gongqingcheng Cellon Communication Technology Co., LTD.
Address	New industrial park, GongQingCheng, Jiujiang city, Jiangxi Province, China, Postal code : 332020

### 2.4 Application Details

Date of Receipt of Application	Mar. 15, 2012
Date of Start during the Test	Mar. 15, 2012
Date of End during the Test	Mar. 27, 2012



### 3. General Information

#### 3.1 Description of Device Under Test (DUT)

Product Feature & Specification	
DUT Type	Quad GSM/GPRS/EDGE(downlink only) and Dual band WCDMA UMTS850/1900 mobile phone with BT/Wi-Fi
Brand Name	Motorola
Model Name	XT550
Marketing Name	MOTOSMART™ MIX
Type Name	M0D25
FCC ID	IHDT56NM2
Tx Frequency	GSM850: 824.2 MHz ~ 848.8 MHz GSM1900: 1850.2 MHz ~ 1909.8 MHz WCDMA Band V: 826.4 MHz ~ 846.6 MHz WCDMA Band II: 1852.4 MHz ~ 1907.6 MHz 802.11b/g/n: 2412 MHz ~ 2462 MHz Bluetooth: 2402 MHz ~ 2480 MHz
Rx Frequency	GSM850: 869.2 MHz ~ 893.8 MHz GSM1900: 1930.2 MHz ~ 1989.8 MHz WCDMA Band V: 871.4 MHz ~ 891.6 MHz WCDMA Band II: 1932.4 MHz ~ 1987.6 MHz 802.11b/g/n: 2412 MHz ~ 2462 MHz Bluetooth: 2402 MHz ~ 2480 MHz
Maximum Output Power to Antenna	GSM850: 33.28 dBm GSM1900: 30.28 dBm WCDMA Band V: 24.14 dBm WCDMA Band II: 24.13 dBm 802.11b: 16.91 dBm 802.11g: 15.21 dBm 802.11n (BW 20MHz) (2.4GHz): 13.12 dBm Bluetooth: 9.15 dBm
Antenna Type	WWAN: Monopole Antenna WLAN: PIFA Antenna Bluetooth: Monopole Antenna
HW Version	B2
SW Version	ARGONS_4_02.07.02RDD
Type of Modulation	GSM: GMSK GPRS: GMSK EDGE: 8PSK (Downlink Only) WCDMA: QPSK (Uplink) HSDPA: QPSK (Uplink) 802.11b: DSSS (BPSK / QPSK / CCK) 802.11g/n: OFDM (BPSK / QPSK / 16QAM / 64QAM) Bluetooth (1Mbps): GFSK Bluetooth EDR (2Mbps): $\pi/4$ -DQPSK Bluetooth EDR (3Mbps): 8-DPSK



Product Feature & Specification	
Dual Transfer Mode (DTM) Category	Class A – DUT can support Packet Switched and Circuit Switched Network simultaneously.
DUT Stage	Production Unit
<b>Remark:</b> The above DUT's information was declared by manufacturer. Please refer to the specifications or user's manual for more detailed description.	

Per KDB 941225 D04 requirement, the required test configuration for this device is as below:

1. This DUT is class A device
2. This DUT supports (E)GPRS multi-slot class 12 (max. uplink : 4, max. downlink : 4, total timeslots : 5)
3. This DUT supports DTM multi-slot class 11 (max. uplink : 3 for 1 CS & 2 PS, max. downlink : 4, total timeslots : 5)
4. The measured maximum conducted power can be referred to section 12.1 of this report
5. For DTM multi-slot class 11 link mode, the device was linked with system emulator (Agilent E5515C) and transmit maximum power on maximum number of Tx slots (one CS timeslot and two PS timeslots per frame).

### 3.2 Applied Standards

The Specific Absorption Rate (SAR) testing specification, method and procedure for this device is in accordance with the following standards:

- FCC 47 CFR Part 2 (2.1093)
- IEEE C95.1-1991
- IEEE 1528-2003
- FCC OET Bulletin 65 Supplement C (Edition 01-01)
- FCC KDB 447498 D01 v04
- FCC KDB 648474 D01 v01r05
- FCC KDB 941225 D01 v02
- FCC KDB 941225 D03 v01
- FCC KDB 941225 D04 v01
- FCC KDB 941225 D06 v01
- FCC KDB 248227 D01 v01r02



### 3.3 Device Category and SAR Limits

This device belongs to portable device category because its radiating structure is allowed to be used within 20 centimeters of the body of the user. Limit for General Population/Uncontrolled exposure should be applied for this device, it is 1.6 W/kg as averaged over any 1 gram of tissue.

### 3.4 Test Conditions

#### 3.4.1. Ambient Condition

Ambient Temperature	20 to 24 °C
Humidity	< 60 %

#### 3.4.2. Test Configuration

The device was controlled by using a base station emulator. Communication between the device and the emulator was established by air link. The distance between the DUT and the antenna of the emulator is larger than 50 cm and the output power radiated from the emulator antenna is at least 30 dB smaller than the output power of DUT. The DUT was set from the emulator to radiate maximum output power during all tests.

For WLAN SAR testing, WLAN engineering testing software installed on the DUT can provide continuous transmitting RF signal. This RF signal utilized in SAR measurement has over 99% duty cycle and its crest factor is 1.

## **4. Specific Absorption Rate (SAR)**

### **4.1 Introduction**

SAR is related to the rate at which energy is absorbed per unit mass in an object exposed to a radio field. The SAR distribution in a biological body is complicated and is usually carried out by experimental techniques or numerical modeling. The standard recommends limits for two tiers of groups, occupational/controlled and general population/uncontrolled, based on a person's awareness and ability to exercise control over his or her exposure. In general, occupational/controlled exposure limits are higher than the limits for general population/uncontrolled.

### **4.2 SAR Definition**

The SAR definition is the time derivative (rate) of the incremental energy (dW) absorbed by (dissipated in) an incremental mass (dm) contained in a volume element (dv) of a given density ( $\rho$ ). The equation description is as below:

$$\mathbf{SAR} = \frac{d}{dt} \left( \frac{dW}{dm} \right) = \frac{d}{dt} \left( \frac{dW}{\rho dv} \right)$$

SAR is expressed in units of Watts per kilogram (W/kg)

SAR measurement can be either related to the temperature elevation in tissue by

$$\mathbf{SAR} = c \left( \frac{\delta T}{\delta t} \right)$$

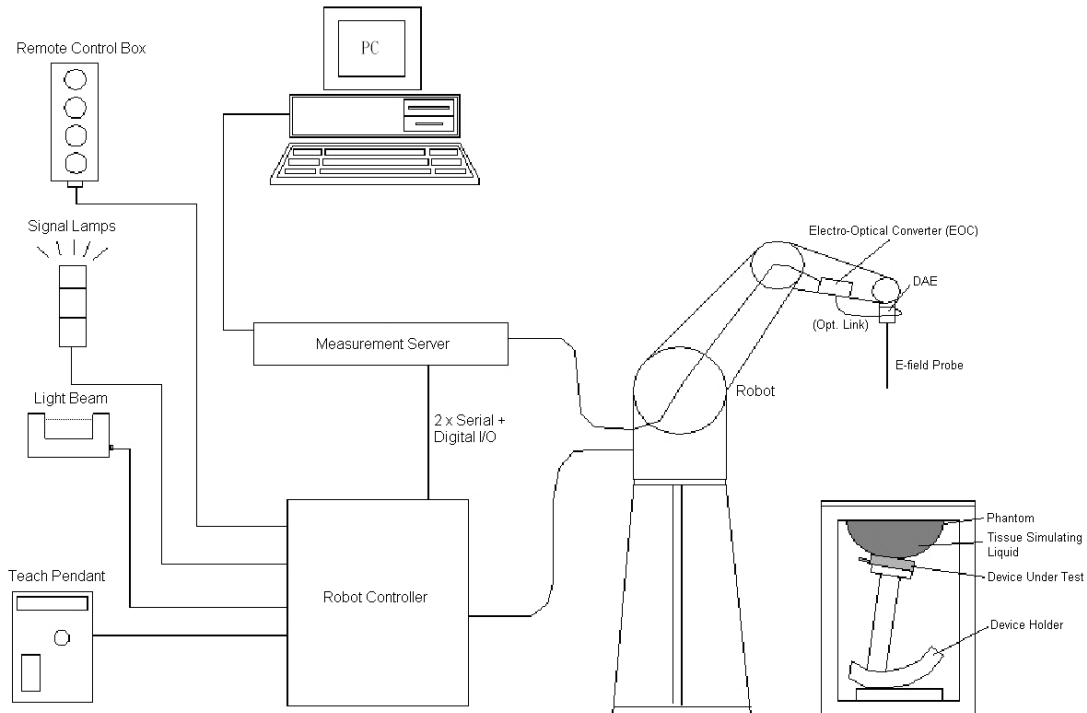
Where: C is the specific heat capacity,  $\delta T$  is the temperature rise and  $\delta t$  is the exposure duration, or related to the electrical field in the tissue by

$$\mathbf{SAR} = \frac{\sigma |E|^2}{\rho}$$

Where:  $\sigma$  is the conductivity of the tissue,  $\rho$  is the mass density of the tissue and E is the RMS electrical field strength.

However for evaluating SAR of low power transmitter, electrical field measurement is typically applied.

## 5. SAR Measurement System



**Fig 5.1 SPEAG DASY System Configurations**

The DASY system for performance compliance tests is illustrated above graphically. This system consists of the following items:

- A standard high precision 6-axis robot with controller, a teach pendant and software
- A data acquisition electronic (DAE) attached to the robot arm extension
- A dosimetric probe equipped with an optical surface detector system
- The electro-optical converter (ECO) performs the conversion between optical and electrical signals
- A measurement server performs the time critical tasks such as signal filtering, control of the robot operation and fast movement interrupts.
- A probe alignment unit which improves the accuracy of the probe positioning
- A computer operating Windows XP
- DASY software
- Remove control with teach pendant and additional circuitry for robot safety such as warning lamps, etc.
- The SAM twin phantom
- A device holder
- Tissue simulating liquid
- Dipole for evaluating the proper functioning of the system

Some of the components are described in details in the following sub-sections.

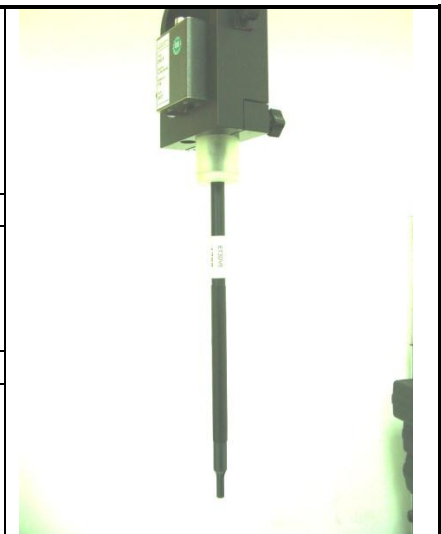
**5.1 E-Field Probe**

The SAR measurement is conducted with the dosimetric probe (manufactured by SPEAG). The probe is specially designed and calibrated for use in liquid with high permittivity. The dosimetric probe has special calibration in liquid at different frequency. This probe has a built in optical surface detection system to prevent from collision with phantom.

**5.1.1. E-Field Probe Specification**

**<ET3DV6 Probe >**

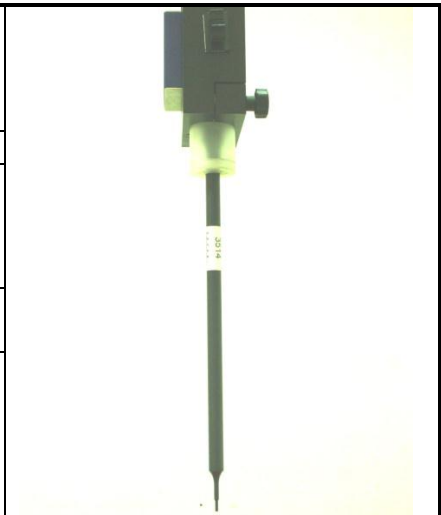
<b>Construction</b>	Symmetrical design with triangular core Built-in optical fiber for surface detection system. Built-in shielding against static charges. PEEK enclosure material (resistant to organic solvents, e.g., DGBE)
<b>Frequency</b>	10 MHz to 3 GHz; Linearity: $\pm 0.2$ dB
<b>Directivity</b>	$\pm 0.2$ dB in HSL (rotation around probe axis) $\pm 0.4$ dB in HSL (rotation normal to probe axis)
<b>Dynamic Range</b>	5 $\mu$ W/g to 100 mW/g; Linearity: $\pm 0.2$ dB
<b>Dimensions</b>	Overall length: 330 mm (Tip: 16 mm) Tip diameter: 6.8 mm (Body: 12 mm) Distance from probe tip to dipole centers: 2.7 mm



**Fig 5.2 Photo of ET3DV6**

**<EX3DV4 Probe>**

<b>Construction</b>	Symmetrical design with triangular core Built-in shielding against static charges PEEK enclosure material (resistant to organic solvents, e.g., DGBE)
<b>Frequency</b>	10 MHz to 6 GHz; Linearity: $\pm 0.2$ dB
<b>Directivity</b>	$\pm 0.3$ dB in HSL (rotation around probe axis) $\pm 0.5$ dB in tissue material (rotation normal to probe axis)
<b>Dynamic Range</b>	10 $\mu$ W/g to 100 mW/g; Linearity: $\pm 0.2$ dB (noise: typically $< 1$ $\mu$ W/g)
<b>Dimensions</b>	Overall length: 330 mm (Tip: 20 mm) Tip diameter: 2.5 mm (Body: 12 mm) Typical distance from probe tip to dipole centers: 1 mm



**Fig 5.3 Photo of EX3DV4**

**5.1.2. E-Field Probe Calibration**

Each probe needs to be calibrated according to a dosimetric assessment procedure with accuracy better than  $\pm 10\%$ . The spherical isotropy shall be evaluated and within  $\pm 0.25$  dB. The sensitivity parameters (NormX, NormY, and NormZ), the diode compression parameter (DCP) and the conversion factor (ConvF) of the probe are tested. The calibration data can be referred to appendix C of this report.

**5.2 Data Acquisition Electronics (DAE)**

The data acquisition electronics (DAE) consists of a highly sensitive electrometer-grade preamplifier with auto-zeroing, a channel and gain-switching multiplexer, a fast 16 bit AD-converter and a command decoder and control logic unit. Transmission to the measurement server is accomplished through an optical downlink for data and status information as well as an optical uplink for commands and the clock. The input impedance of the DAE is 200 MOhm; the inputs are symmetrical and floating. Common mode rejection is above 80 dB.



Fig 5.4 Photo of DAE

**5.3 Robot**

The SPEAG DASY system uses the high precision robots (DASY4: RX90BL; DASY5: TX90XL) type from Stäubli SA (France). For the 6-axis controller system, the robot controller version (DASY4: CS7MB; DASY5: CS8c) from Stäubli is used. The Stäubli robot series have many features that are important for our application:

- High precision (repeatability  $\pm 0.035$  mm)
- High reliability (industrial design)
- Jerk-free straight movements
- Low ELF interference (the closed metallic construction shields against motor control fields)



Fig 5.5 Photo of DASY4



Fig 5.6 Photo of DASY5

**5.4 Measurement Server**

The measurement server is based on a PC/104 CPU board with CPU (DASY4: 166 MHz, Intel Pentium; DASY5: 400 MHz, Intel Celeron), chipdisk (DASY4: 32 MB; DASY5: 128 MB), RAM (DASY4: 64 MB, DASY5: 128 MB). The necessary circuits for communication with the DAE electronic box, as well as the 16 bit AD converter system for optical detection and digital I/O interface are contained on the DASY I/O board, which is directly connected to the PC/104 bus of the CPU board.

The measurement server performs all the real-time data evaluation for field measurements and surface detection, controls robot movements and handles safety operations.



Fig 5.7 Photo of Server for DASY4



Fig 5.8 Photo of Server for DASY5

**5.5 Phantom**

<SAM Twin Phantom>

<b>Shell Thickness</b>	2 ± 0.2 mm; Center ear point: 6 ± 0.2 mm
<b>Filling Volume</b>	Approx. 25 liters
<b>Dimensions</b>	Length: 1000 mm; Width: 500 mm; Height: adjustable feet
<b>Measurement Areas</b>	Left Hand, Right Hand, Flat Phantom

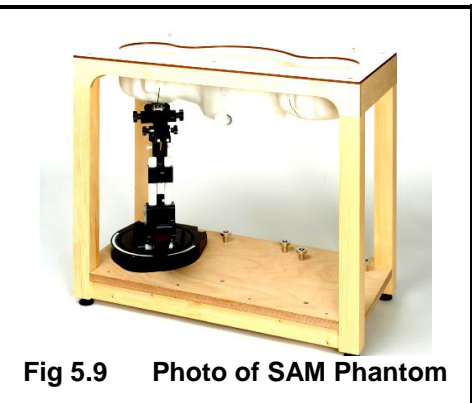


Fig 5.9 Photo of SAM Phantom

The bottom plate contains three pair of bolts for locking the device holder. The device holder positions are adjusted to the standard measurement positions in the three sections. A white cover is provided to tap the phantom during off-periods to prevent water evaporation and changes in the liquid parameters. On the phantom top, three reference markers are provided to identify the phantom position with respect to the robot.

**<ELI4 Phantom>**

<b>Shell Thickness</b>	2 ± 0.2 mm (sagging: <1%)
<b>Filling Volume</b>	Approx. 30 liters
<b>Dimensions</b>	Major ellipse axis: 600 mm Minor axis: 400 mm



**Fig 5.10 Photo of ELI4 Phantom**

The ELI4 phantom is intended for compliance testing of handheld and body-mounted wireless devices in the frequency range of 30 MHz to 6 GHz. ELI4 is fully compatible with standard and all known tissue simulating liquids.

**5.6 Device Holder**

**<Device Holder for SAM Twin Phantom>**

The SAR in the phantom is approximately inversely proportional to the square of the distance between the source and the liquid surface. For a source at 5 mm distance, a positioning uncertainty of ± 0.5 mm would produce a SAR uncertainty of ± 20 %. Accurate device positioning is therefore crucial for accurate and repeatable measurements. The positions in which the devices must be measured are defined by the standards.

The DASY device holder is designed to cope with different positions given in the standard. It has two scales for the device rotation (with respect to the body axis) and the device inclination (with respect to the line between the ear reference points). The rotation center for both scales is the ear reference point (EPR). Thus the device needs no repositioning when changing the angles.

The DASY device holder is constructed of low-loss POM material having the following dielectric parameters: relative permittivity  $\epsilon = 3$  and loss tangent  $\delta = 0.02$ . The amount of dielectric material has been reduced in the closest vicinity of the device, since measurements have suggested that the influence of the clamp on the test results could thus be lowered.



Fig 5.11 Device Holder

<Laptop Extension Kit>

The extension is lightweight and made of POM, acrylic glass and foam. It fits easily on the upper part of the mounting device in place of the phone positioned. The extension is fully compatible with the SAM Twin and ELI phantoms.

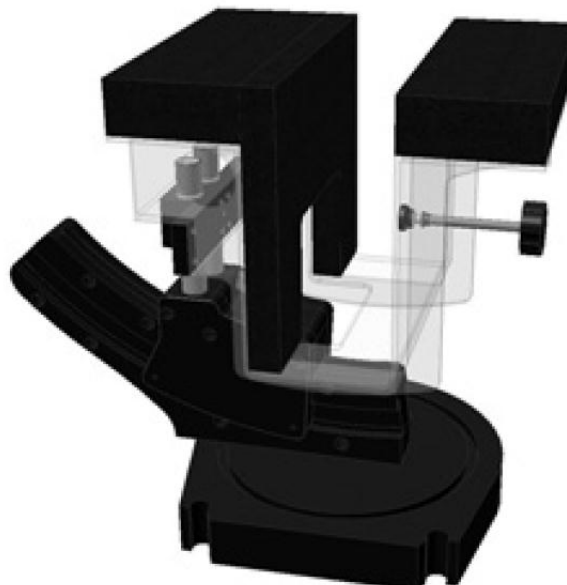


Fig 5.12 Laptop Extension Kit

## **5.7 Data Storage and Evaluation**

### **5.7.1. Data Storage**

The DASY software stores the assessed data from the data acquisition electronics as raw data (in microvolt readings from the probe sensors), together with all the necessary software parameters for the data evaluation (probe calibration data, liquid parameters and device frequency and modulation data) in measurement files. The post-processing software evaluates the desired unit and format for output each time the data is visualized or exported. This allows verification of the complete software setup even after the measurement and allows correction of erroneous parameter settings. For example, if a measurement has been performed with an incorrect crest factor parameter in the device setup, the parameter can be corrected afterwards and the data can be reevaluated.

The measured data can be visualized or exported in different units or formats, depending on the selected probe type (e.g., [V/m], [A/m], [mW/g]). Some of these units are not available in certain situations or give meaningless results, e.g., a SAR-output in a non-lose media, will always be zero. Raw data can also be exported to perform the evaluation with other software packages.

### **5.7.2. Data Evaluation**

The DASY post-processing software (SEMCAD) automatically executes the following procedures to calculate the field units from the microvolt readings at the probe connector. The parameters used in the evaluation are stored in the configuration modules of the software :

<b>Probe parameters :</b>	- Sensitivity	Norm <sub>i</sub> , a <sub>i0</sub> , a <sub>i1</sub> , a <sub>i2</sub>
	- Conversion factor	ConvF <sub>i</sub>
	- Diode compression point	dcp <sub>i</sub>
<b>Device parameters :</b>	- Frequency	f
	- Crest factor	cf
<b>Media parameters :</b>	- Conductivity	σ
	- Density	ρ

These parameters must be set correctly in the software. They can be found in the component documents or they can be imported into the software from the configuration files issued for the DASY components. In the direct measuring mode of the multi-meter option, the parameters of the actual system setup are used. In the scan visualization and export modes, the parameters stored in the corresponding document files are used.

The first step of the evaluation is a linearization of the filtered input signal to account for the compression characteristics of the detector diode. The compensation depends on the input signal, the diode type and the DC-transmission factor from the diode to the evaluation electronics. If the exciting field is pulsed, the crest factor of the signal must be known to correctly compensate for peak power.

The formula for each channel can be given as :

$$V_i = U_i + U_i^2 \cdot \frac{cf}{dcp_i}$$

with  $V_i$  = compensated signal of channel i, (i = x, y, z)  
 $U_i$  = input signal of channel i, (i = x, y, z)  
 cf = crest factor of exciting field (DASY parameter)  
 dcp<sub>i</sub> = diode compression point (DASY parameter)

From the compensated input signals, the primary field data for each channel can be evaluated :

E-field Probes :

H-field Probes :

with  $V_i$  = compensated signal of channel i, (i = x, y, z)  
 Norm<sub>i</sub> = sensor sensitivity of channel i, (i = x, y, z),  $\mu V/(V/m)^2$  for E-field Probes  
 ConvF = sensitivity enhancement in solution  
 a<sub>ij</sub> = sensor sensitivity factors for H-field probes  
 f = carrier frequency [GHz]  
 $E_i$  = electric field strength of channel i in V/m  
 $H_i$  = magnetic field strength of channel i in A/m

The RSS value of the field components gives the total field strength (Hermitian magnitude) :

$$E_{tot} = \sqrt{E_x^2 + E_y^2 + E_z^2}$$

The primary field data are used to calculate the derived field units.

$$SAR = E_{tot}^2 \cdot \frac{1}{\rho \cdot 1}$$

with SAR = local specific absorption rate in mW/g  
 $E_{tot}$  = total field strength in V/m  
 $\sigma$  = conductivity in [mho/m] or [Siemens/m]  
 $\rho$  = equivalent tissue density in g/cm<sup>3</sup>

Note that the density is set to 1, to account for actual head tissue density rather than the density of the tissue simulating liquid.



**5.8 Test Equipment List**

Manufacturer	Name of Equipment	Type/Model	Serial Number	Calibration	
				Last Cal.	Due Date
SPEAG	Dosimetric E-Field Probe	ET3DV6R	1788	Jan. 26, 2012	Jan. 25, 2013
SPEAG	Dosimetric E-Field Probe	EX3DV4	3820	Dec. 16, 2011	Dec. 15, 2012
SPEAG	835MHz System Validation Kit	D835V2	499	Mar. 22, 2010	Mar. 21, 2013
SPEAG	1900MHz System Validation Kit	D1900V2	5d041	Mar. 23, 2010	Mar. 22, 2013
SPEAG	2450MHz System Validation Kit	D2450V2	736	Jul. 25, 2011	Jul. 24, 2012
SPEAG	Data Acquisition Electronics	DAE4	778	Nov. 22, 2011	Nov. 21, 2012
SPEAG	Data Acquisition Electronics	DAE3	495	Apr. 28, 2011	Apr. 27, 2012
SPEAG	Device Holder	N/A	N/A	NCR	NCR
SPEAG	SAM Phantom	QD 000 P40 C	TP-1303	NCR	NCR
SPEAG	SAM Phantom	QD 000 P40 C	TP-1383	NCR	NCR
SPEAG	SAM Phantom	QD 000 P40 C	TP-1446	NCR	NCR
SPEAG	SAM Phantom	QD 000 P40 C	TP-1478	NCR	NCR
SPEAG	SAM Phantom	QD 000 P41 C	TP-1150	NCR	NCR
SPEAG	SAM Phantom	QD 000 P40 CD	TP-1644	NCR	NCR
SPEAG	SAM Phantom	SM 000 T01 DA	TP-1542	NCR	NCR
SPEAG	ELI4 Phantom	QD 0VA 001 BB	1026	NCR	NCR
SPEAG	ELI4 Phantom	QD 0VA 001 BA	1029	NCR	NCR
SPEAG	ELI4 Phantom	QD 0VA 002 AA	TP-1127	NCR	NCR
SPEAG	ELI4 Phantom	QD 0VA 002 AA	TP-1131	NCR	NCR
Agilent	ENA Series Network Analyzer	E5071C	MY46100746	Jun. 10, 2011	Jun. 09, 2012
Agilent	ESG Vector Series Signal Generator	E4438C	MY49070755	Oct. 17, 2011	Oct. 16, 2012
Anritsu	Power Meter	ML2495A	0932001	Sep. 21, 2011	Sep. 20, 2012
Anritsu	Radio Communication Analyzer	MT8820C	6201074414	Dec. 21, 2011	Dec. 20, 2012
Agilent	Wireless Communication Test Set	E5515C	MY48360820	Jan. 05, 2012	Jan. 04, 2014
Agilent	Wireless Communication Test Set	E5515C	GB46311322	Mar. 23, 2011	Mar. 22, 2013
Agilent	Wireless Communication Test Set	E5515C	MY50264370	Apr. 19, 2011	Apr. 18, 2013
Agilent	Wireless Communication Test Set	E5515C	MY50266977	Nov. 13, 2011	Nov. 12, 2013
R&S	Universal Digital Radio communication Tester	CMU200	117995	Jul. 28, 2011	Jul. 27, 2012
R&S	Spectrum Analyzer	FSP7	101131	Jul. 29, 2011	Jul. 28, 2012
R&S	Spectrum Analyzer	FSP30	101329	May 03, 2011	May 02, 2012

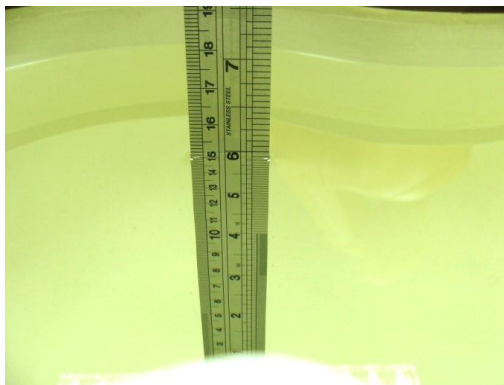
**Table 5.1 Test Equipment List**

**Note:**

1. The calibration certificate of DASY can be referred to appendix C of this report.
2. Referring to KDB450824 D02, the dipole calibration interval can be extended to 3 years with justification. The dipoles are also not physically damaged, or repaired during the interval.
3. The justification data of dipole D835V2, SN: 499, D1900V2, SN: 5d041 can be found in appendix C. The return loss is < -20dB, within 20% of prior calibration, the impedance is within 5 ohm of prior calibration.

**6. Tissue Simulating Liquids**

For the measurement of the field distribution inside the SAM phantom with DASY, the phantom must be filled with around 25 liters of homogeneous body tissue simulating liquid. For head SAR testing, the liquid height from the ear reference point (ERP) of the phantom to the liquid top surface is larger than 15 cm, which is shown in Fig. 6.1. For body SAR testing, the liquid height from the center of the flat phantom to the liquid top surface is larger than 15 cm, which is shown in Fig. 6.2.



**Fig 6.1 Photo of Liquid Height for Head SAR**



**Fig 6.2 Photo of Liquid Height for Body SAR**

The following table gives the recipes for tissue simulating liquid.

Frequency (MHz)	Water (%)	Sugar (%)	Cellulose (%)	Salt (%)	Preventol (%)	DGBE (%)	Conductivity (σ)	Permittivity (ε <sub>r</sub> )
<b>For Head</b>								
835	40.3	57.9	0.2	1.4	0.2	0	0.90	41.5
1800, 1900, 2000	55.2	0	0	0.3	0	44.5	1.40	40.0
2450	55.0	0	0	0	0	45.0	1.80	39.2
<b>For Body</b>								
835	50.8	48.2	0	0.9	0.1	0	0.97	55.2
1800, 1900, 2000	70.2	0	0	0.4	0	29.4	1.52	53.3
2450	68.6	0	0	0	0	31.4	1.95	52.7

**Table 6.1 Recipes of Tissue Simulating Liquid**



The dielectric parameters of the liquids were verified prior to the SAR evaluation using an Agilent 85070D Dielectric Probe Kit and an Agilent Network Analyzer.

Freq. (MHz)	Liquid Type	Temp. (°C)	Conductivity ( $\sigma$ )	Permittivity ( $\epsilon_r$ )	Conductivity Target ( $\sigma$ )	Permittivity Target ( $\epsilon_r$ )	Delta ( $\sigma$ ) (%)	Delta ( $\epsilon_r$ ) (%)	Limit (%)	Date
835	Head	21.4	0.904	41.1	0.9	41.5	0.44	-0.96	±5	Mar. 17, 2012
835	Body	21.5	0.994	56.2	0.97	55.2	2.47	1.81	±5	Mar. 15, 2012
1900	Head	21.4	1.45	38.5	1.4	40	3.57	-3.75	±5	Mar. 16, 2012
1900	Body	21.5	1.53	52.7	1.52	53.3	0.66	-1.13	±5	Mar. 16, 2012
2450	Head	21.2	1.827	39.417	1.8	39.2	1.50	0.55	±5	Mar. 26, 2012
2450	Body	21.4	1.965	51.537	1.95	52.7	0.77	-2.21	±5	Mar. 27, 2012

Table 6.2 Measuring Results for Simulating Liquid

## 7. Uncertainty Assessment

The component of uncertainty may generally be categorized according to the methods used to evaluate them. The evaluation of uncertainty by the statistical analysis of a series of observations is termed a Type A evaluation of uncertainty. The evaluation of uncertainty by means other than the statistical analysis of a series of observations is termed a Type B evaluation of uncertainty. Each component of uncertainty, however evaluated, is represented by an estimated standard deviation, termed standard uncertainty, which is determined by the positive square root of the estimated variance.

A Type A evaluation of standard uncertainty may be based on any valid statistical method for treating data. This includes calculating the standard deviation of the mean of a series of independent observations; using the method of least squares to fit a curve to the data in order to estimate the parameter of the curve and their standard deviations; or carrying out an analysis of variance in order to identify and quantify random effects in certain kinds of measurement.

A type B evaluation of standard uncertainty is typically based on scientific judgment using all of the relevant information available. These may include previous measurement data, experience and knowledge of the behavior and properties of relevant materials and instruments, manufacturer's specification, data provided in calibration reports and uncertainties assigned to reference data taken from handbooks. Broadly speaking, the uncertainty is either obtained from an outdoor source or obtained from an assumed distribution, such as the normal distribution, rectangular or triangular distributions indicated in Table 7.1

Uncertainty Distributions	Normal	Rectangular	Triangular	U-Shape
Multi-plying Factor <sup>(a)</sup>	1/k <sup>(b)</sup>	1/√3	1/√6	1/√2

(a) standard uncertainty is determined as the product of the multiplying factor and the estimated range of variations in the measured quantity

(b)  $\kappa$  is the coverage factor

**Table 7.1 Standard Uncertainty for Assumed Distribution**

The combined standard uncertainty of the measurement result represents the estimated standard deviation of the result. It is obtained by combining the individual standard uncertainties of both Type A and Type B evaluation using the usual "root-sum-squares" (RSS) methods of combining standard deviations by taking the positive square root of the estimated variances.

Expanded uncertainty is a measure of uncertainty that defines an interval about the measurement result within which the measured value is confidently believed to lie. It is obtained by multiplying the combined standard uncertainty by a coverage factor. Typically, the coverage factor ranges from 2 to 3. Using a coverage factor allows the true value of a measured quantity to be specified with a defined probability within the specified uncertainty range. For purpose of this document, a coverage factor two is used, which corresponds to confidence interval of about 95 %. The DASY uncertainty Budget is showed in Table 7.2.



Error Description	Uncertainty Value (±%)	Probability Distribution	Divisor	Ci (1g)	Standard Uncertainty (1g)
<b>Measurement System</b>					
Probe Calibration	6.0	Normal	1	1	± 6.0 %
Axial Isotropy	4.7	Rectangular	√3	0.7	± 1.9 %
Hemispherical Isotropy	9.6	Rectangular	√3	0.7	± 3.9 %
Boundary Effects	1.0	Rectangular	√3	1	± 0.6 %
Linearity	4.7	Rectangular	√3	1	± 2.7 %
System Detection Limits	1.0	Rectangular	√3	1	± 0.6 %
Readout Electronics	0.3	Normal	1	1	± 0.3 %
Response Time	0.8	Rectangular	√3	1	± 0.5 %
Integration Time	2.6	Rectangular	√3	1	± 1.5 %
RF Ambient Noise	3.0	Rectangular	√3	1	± 1.7 %
RF Ambient Reflections	3.0	Rectangular	√3	1	± 1.7 %
Probe Positioner	0.4	Rectangular	√3	1	± 0.2 %
Probe Positioning	2.9	Rectangular	√3	1	± 1.7 %
Max. SAR Eval.	1.0	Rectangular	√3	1	± 0.6 %
<b>Test Sample Related</b>					
Device Positioning	2.9	Normal	1	1	± 2.9 %
Device Holder	3.6	Normal	1	1	± 3.6 %
Power Drift	5.0	Rectangular	√3	1	± 2.9 %
<b>Phantom and Setup</b>					
Phantom Uncertainty	4.0	Rectangular	√3	1	± 2.3 %
Liquid Conductivity (Target)	5.0	Rectangular	√3	0.64	± 1.8 %
Liquid Conductivity (Meas.)	2.5	Normal	1	0.64	± 1.6 %
Liquid Permittivity (Target)	5.0	Rectangular	√3	0.6	± 1.7 %
Liquid Permittivity (Meas.)	2.5	Normal	1	0.6	± 1.5 %
<b>Combined Standard Uncertainty</b>					± 11.0 %
<b>Coverage Factor for 95 %</b>					K = 2
<b>Expanded Uncertainty</b>					± 22.0 %

Table 7.2 Uncertainty Budget of DASY for frequency range 300 MHz to 3 GHz

## 8. SAR Measurement Evaluation

Each DASY system is equipped with one or more system validation kits. These units, together with the predefined measurement procedures within the DASY software, enable the user to conduct the system performance check and system validation. System validation kit includes a dipole, tripod holder to fix it underneath the flat phantom and a corresponding distance holder.

### 8.1 Purpose of System Performance check

The system performance check verifies that the system operates within its specifications. System and operator errors can be detected and corrected. It is recommended that the system performance check be performed prior to any usage of the system in order to guarantee reproducible results. The system performance check uses normal SAR measurements in a simplified setup with a well characterized source. This setup was selected to give a high sensitivity to all parameters that might fail or vary over time. The system check does not intend to replace the calibration of the components, but indicates situations where the system uncertainty is exceeded due to drift or failure.

### 8.2 System Setup

In the simplified setup for system evaluation, the DUT is replaced by a calibrated dipole and the power source is replaced by a continuous wave that comes from a signal generator. The calibrated dipole must be placed beneath the flat phantom section of the SAM twin phantom with the correct distance holder. The distance holder should touch the phantom surface with a light pressure at the reference marking and be oriented parallel to the long side of the phantom. The equipment setup is shown below:

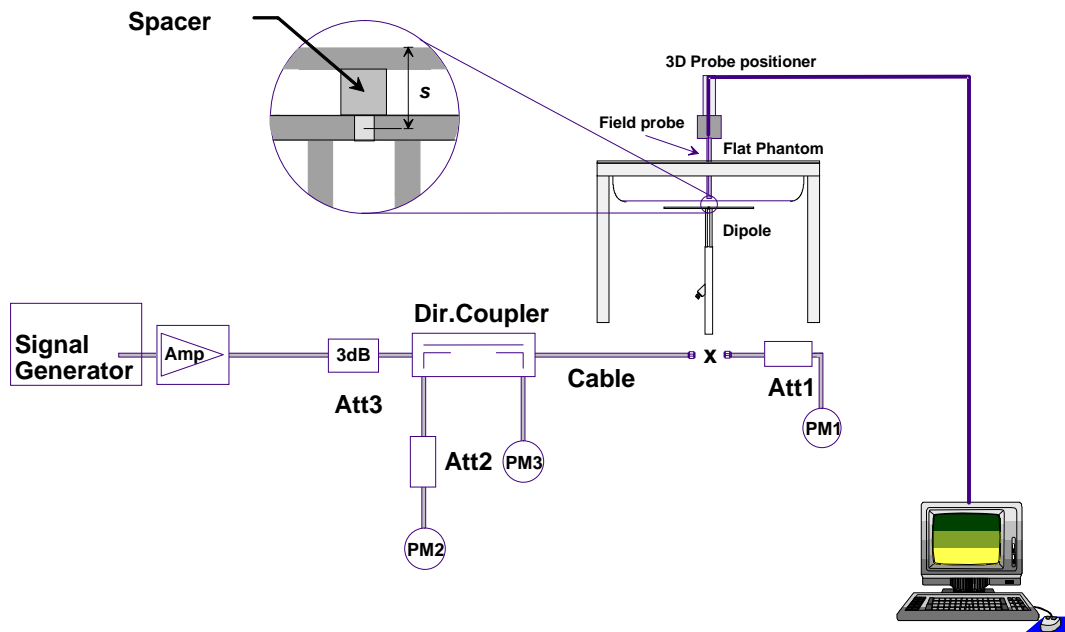
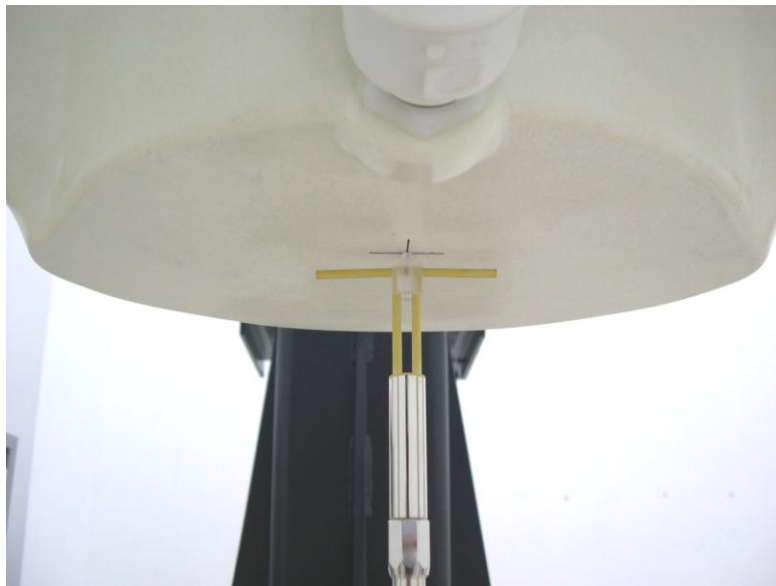


Fig 8.1 System Setup for System Evaluation

1. Signal Generator
2. Amplifier
3. Directional Coupler
4. Power Meter
5. Calibrated Dipole

The output power on dipole port must be calibrated to 24 dBm (250 mW) before dipole is connected.



**Fig 8.2 Photo of Dipole Setup**

**8.3 Validation Results**

Comparing to the original SAR value provided by SPEAG, the validation data should be within its specification of 10 %. Table 8.1 shows the target SAR and measured SAR after normalized to 1W input power. The table below indicates the system performance check can meet the variation criterion and the plots can be referred to Appendix A of this report.

Measurement Date	Frequency (MHz)	Liquid Type	Targeted SAR <sub>1g</sub> (W/kg)	Measured SAR <sub>1g</sub> (W/kg)	Normalized SAR <sub>1g</sub> (W/kg)	Deviation (%)
Mar. 17, 2012	835	Head	9.71	2.32	9.28	-4.43
Mar. 15, 2012	835	Body	9.82	2.46	9.84	0.20
Mar. 16, 2012	1900	Head	39.8	9.35	37.40	-6.03
Mar. 16, 2012	1900	Body	40	9.33	37.32	-6.70
Mar. 26, 2012	2450	Head	54.8	13.4	53.60	-2.19
Mar. 27, 2012	2450	Body	52.3	13.5	54.00	3.25

**Table 8.1 Target and Measurement SAR after Normalized**

## 9. DUT Testing Position

This DUT was tested in ten different positions. They are right cheek, right tilted, left cheek, left tilted, Front of the DUT with phantom 1 cm gap, Back of the DUT with phantom 1 cm gap, Top Side of the DUT with phantom 1 cm gap, Bottom Side of the DUT with phantom 1 cm gap, Right Side of the DUT with phantom 1 cm gap, and Left Side of the DUT with phantom 1 cm gap, as illustrated below:

### 9.1 Define two imaginary lines on the handset

- The vertical centerline passes through two points on the front side of the handset - the midpoint of the width  $w_t$  of the handset at the level of the acoustic output, and the midpoint of the width  $w_b$  of the bottom of the handset.
- The horizontal line is perpendicular to the vertical centerline and passes through the center of the acoustic output. The horizontal line is also tangential to the face of the handset at point A.
- The two lines intersect at point A. Note that for many handsets, point A coincides with the center of the acoustic output; however, the acoustic output may be located elsewhere on the horizontal line. Also note that the vertical centerline is not necessarily parallel to the front face of the handset, especially for clamshell handsets, handsets with flip covers, and other irregularly shaped handsets.

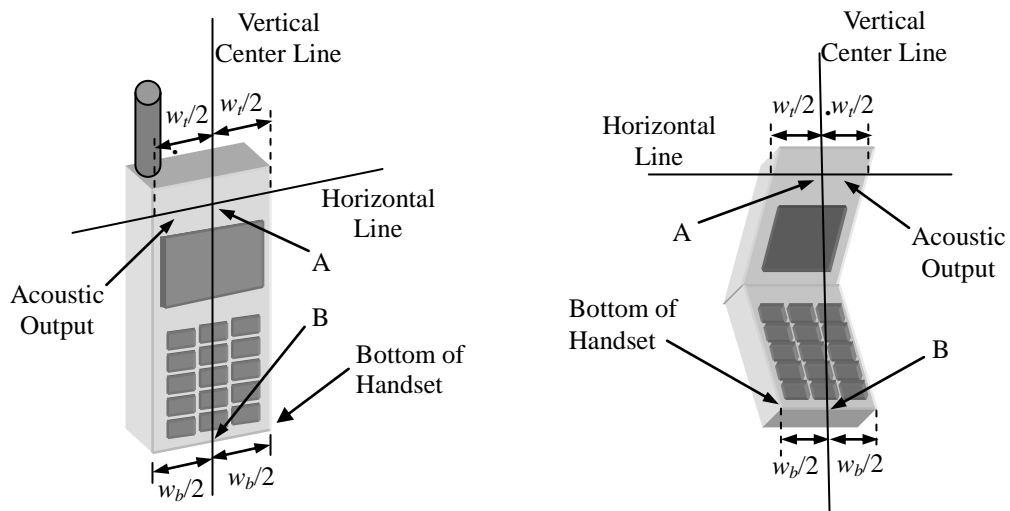
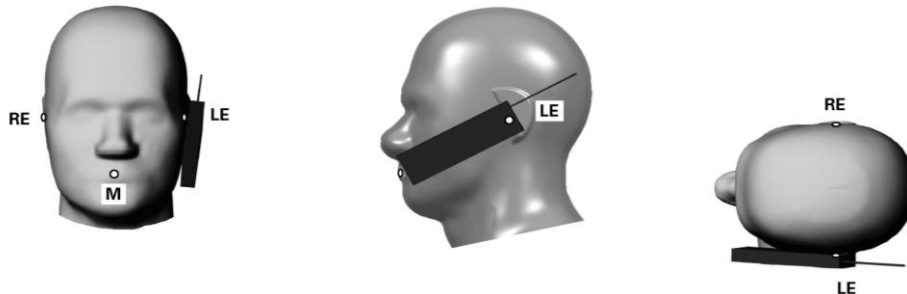


Fig 9.1 Illustration for Handset Vertical and Horizontal Reference Lines

**9.2 Cheek Position**

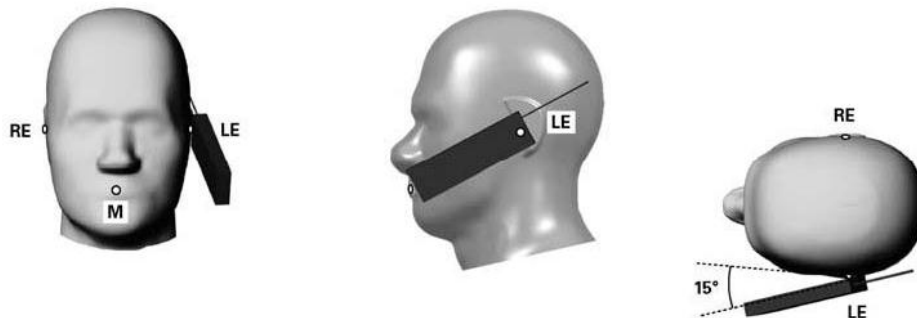
- (a) To position the device with the vertical center line of the body of the device and the horizontal line crossing the center piece in a plane parallel to the sagittal plane of the phantom. While maintaining the device in this plane, align the vertical center line with the reference plane containing the three ear and mouth reference point (M: Mouth, RE: Right Ear, and LE: Left Ear) and align the center of the ear piece with the line RE-LE.
- (b) To move the device towards the phantom with the ear piece aligned with the line LE-RE until the phone touched the ear. While maintaining the device in the reference plane and maintaining the phone contact with the ear, move the bottom of the phone until any point on the front side is in contact with the cheek of the phantom or until contact with the ear is lost (see Fig. 9.2).



**Fig 9.2 Illustration for Cheek Position**

**9.3 Tilted Position**

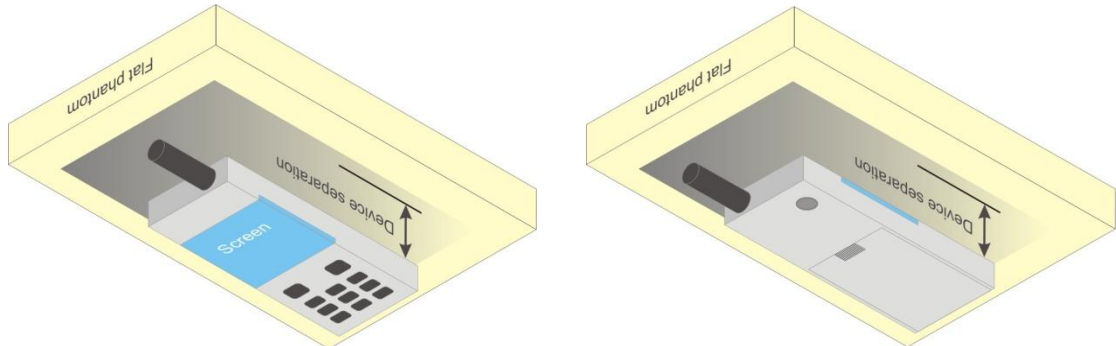
- (a) To position the device in the “cheek” position described above.
- (b) While maintaining the device the reference plane described above and pivoting against the ear, moves it outward away from the mouth by an angle of 15 degrees or until contact with the ear is lost (see Fig. 9.3).



**Fig 9.3 Illustration for Tilted Position**

### 9.4 Body Worn Position

- (a) To position the device parallel to the phantom surface with either keypad up or down.
- (b) To adjust the device parallel to the flat phantom.
- (c) To adjust the distance between the device surface and the flat phantom to 1 cm.



**Fig 9.4 Illustration for Body Worn Position**

## **10. Measurement Procedures**

The measurement procedures are as follows:

- (a) Use base station simulator (if applicable) or engineering software to transmit RF power continuously (continuous Tx) in the highest power channel.
- (b) Keep DUT to radiate maximum output power or 100% duty factor (if applicable)
- (c) Measure output power through RF cable and power meter.
- (d) Place the DUT in the positions as Appendix E demonstrates.
- (e) Set scan area, grid size and other setting on the DASY software.
- (f) Measure SAR results for the highest power channel on each testing position.
- (g) Find out the largest SAR result on these testing positions of each band
- (h) Measure SAR results for other channels in worst SAR testing position if the SAR of highest power channel is larger than 0.8 W/kg

According to the test standard, the recommended procedure for assessing the peak spatial-average SAR value consists of the following steps:

- (a) Power reference measurement
- (b) Area scan
- (c) Zoom scan
- (d) Power drift measurement

### **10.1 Spatial Peak SAR Evaluation**

The procedure for spatial peak SAR evaluation has been implemented according to the test standard. It can be conducted for 1g and 10g, as well as for user-specific masses. The DASY software includes all numerical procedures necessary to evaluate the spatial peak SAR value.

The base for the evaluation is a "cube" measurement. The measured volume must include the 1g and 10g cubes with the highest averaged SAR values. For that purpose, the center of the measured volume is aligned to the interpolated peak SAR value of a previously performed area scan.

The entire evaluation of the spatial peak values is performed within the post-processing engine (SEMCAD). The system always gives the maximum values for the 1g and 10g cubes. The algorithm to find the cube with highest averaged SAR is divided into the following stages:

- (a) Extraction of the measured data (grid and values) from the Zoom Scan
- (b) Calculation of the SAR value at every measurement point based on all stored data (A/D values and measurement parameters)
- (c) Generation of a high-resolution mesh within the measured volume
- (d) Interpolation of all measured values from the measurement grid to the high-resolution grid
- (e) Extrapolation of the entire 3-D field distribution to the phantom surface over the distance from sensor to surface



- (f) Calculation of the averaged SAR within masses of 1g and 10g

## **10.2 Area & Zoom Scan Procedures**

First Area Scan is used to locate the approximate location(s) of the local peak SAR value(s). The measurement grid within an Area Scan is defined by the grid extent, grid step size and grid offset. Next, in order to determine the EM field distribution in a three-dimensional spatial extension, Zoom Scan is required. The Zoom Scan measures 5x5x7 points with step size 8, 8 and 5 mm for 300 MHz to 3 GHz, and 8x8x8 points with step size 4, 4 and 2.5 mm for 3 GHz to 6 GHz. The Zoom Scan is performed around the highest E-field value to determine the averaged SAR-distribution over 10 g.

## **10.3 Volume Scan Procedures**

The volume scan is used for assess overlapping SAR distributions for antennas transmitting in different frequency bands. It is equivalent to an oversized zoom scan used in standalone measurements. The measurement volume will be used to enclose all the simultaneous transmitting antennas. For antennas transmitting simultaneously in different frequency bands, the volume scan is measured separately in each frequency band. In order to sum correctly to compute the 1g aggregate SAR, the DUT remain in the same test position for all measurements and all volume scan use the same spatial resolution and grid spacing (step-size is 4, 4 and 2.5 mm). When all volume scan were completed, the software, SEMCAD postprocessor can combine and subsequently superpose these measurement data to calculating the multiband SAR.

## **10.4 SAR Averaged Methods**

In DASy, the interpolation and extrapolation are both based on the modified Quadratic Shepard's method. The interpolation scheme combines a least-square fitted function method and a weighted average method which are the two basic types of computational interpolation and approximation.

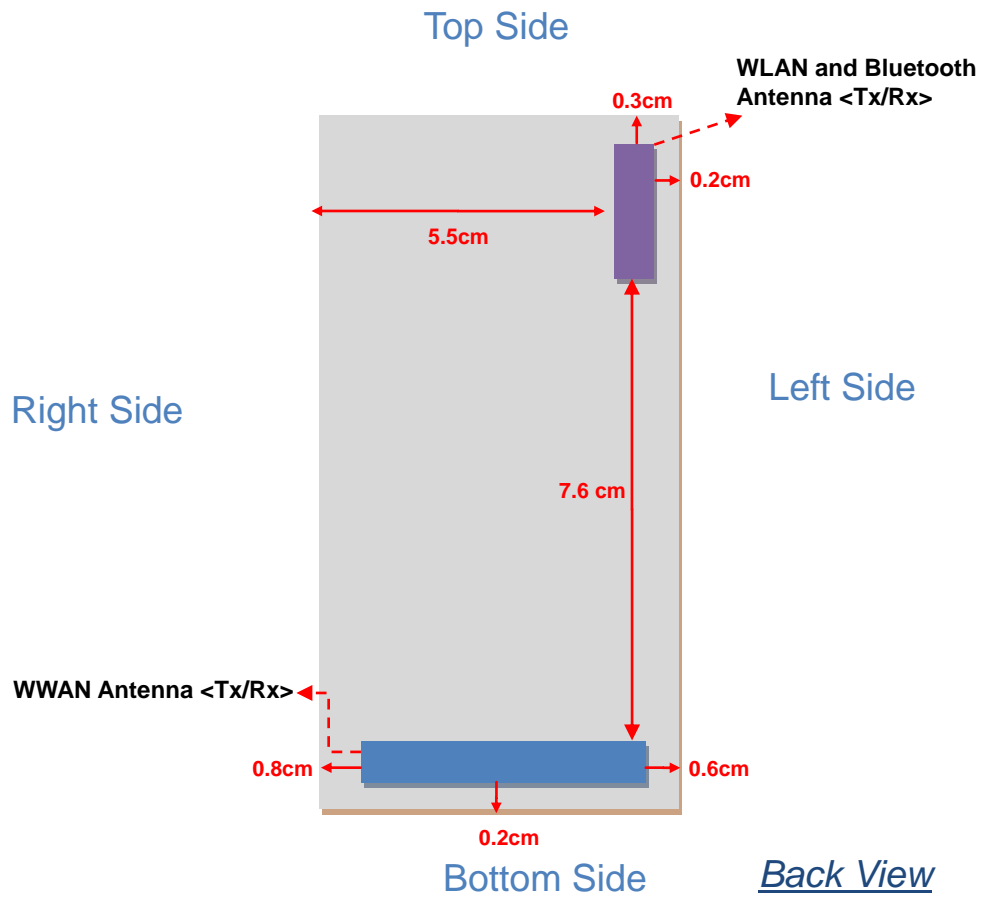
Extrapolation routines are used to obtain SAR values between the lowest measurement points and the inner phantom surface. The extrapolation distance is determined by the surface detection distance and the probe sensor offset. The uncertainty increases with the extrapolation distance. To keep the uncertainty within 1% for the 1 g and 10 g cubes, the extrapolation distance should not be larger than 5 mm.

## **10.5 Power Drift Monitoring**

All SAR testing is under the DUT install full charged battery and transmit maximum output power. In DASy measurement software, the power reference measurement and power drift measurement procedures are used for monitoring the power drift of DUT during SAR test. Both these procedures measure the field at a specified reference position before and after the SAR testing. The software will calculate the field difference in dB. If the power drift more than 5%, the SAR will be retested.

## 11. SAR Test Configurations

### 11.1 Exposure Positions Consideration



Antenna location	Length	Width
WWAN Antenna (TX/RX)	4.8cm	1.2cm
WLAN & Bluetooth Antenna (TX/RX)	2.0cm	0.83cm

Sides for SAR tests; Body-worn mode						
Test distance: 10 mm						
Band	Back	Front	Top Side	Bottom Side	Right Side	Left Side
GSM 850	✓	✓	X	X	X	X
GSM 1900	✓	✓	X	X	X	X
UMTS Band V	✓	✓	X	X	X	X
UMTS Band II	✓	✓	X	X	X	X
WLAN 11b/g/n 2.4GHz	✓	✓	X	X	X	X

Sides for SAR tests; Hotspot mode						
Test distance: 10 mm						
Band	Back	Front	Top Side	Bottom Side	Right Side	Left Side
GSM 850	✓	✓	X	✓	✓	✓
GSM 1900	✓	✓	X	✓	✓	✓
UMTS Band V	✓	✓	X	✓	✓	✓
UMTS Band II	✓	✓	X	✓	✓	✓
WLAN 11b/g/n 2.4GHz	✓	✓	✓	X	X	✓

**Note:** Referring to KDB 941225 D06, when the overall device length and width are  $\geq 9\text{cm} \times 5\text{cm}$ , the test distance is 10 mm. SAR must be measured for all sides and surfaces with a transmitting antenna located within 25mm from that surface or edge.

**11.2 Simultaneous Transmitting Configurations**

	Applicable Combination
Simultaneous Transmission	WWAN+WLAN
	WWAN+BT

**Note:**

1. WLAN and BT share the same antenna, thus they cannot transmit simultaneously.
2. The GPRS/EDGE and WCDMA share the same WWAN transmitting antenna, and GPRS/EDGE will not transmit simultaneously with WCDMA.
3. Per KDB 648474 D01, Bluetooth output power  $\leq 60\text{mW}$  and the distance to WWAN antennas  $\geq 5\text{cm}$ , therefore, stand-alone SAR and simultaneous SAR are not required.



**12. SAR Test Results**

**12.1 Conducted Power (Unit: dBm)**

<GSM/GPRS/EDGE>

Band		Burst Average Power					
		GSM850			GSM1900		
Channel		128	189	251	512	661	810
Frequency (MHz)		824.2	836.4	848.8	1850.2	1880.0	1909.8
GSM (1 Uplink)		33.26	33.27	33.28	30.24	30.23	30.23
GPRS 8 (1 Uplink) – CS1		33.25	33.25	33.26	30.25	30.28	30.21
GPRS 10 (2 Uplink) – CS1		30.16	30.12	30.12	28.47	28.50	28.46
GPRS 11 (3 Uplink) – CS1		28.16	28.11	28.12	26.48	26.52	26.48
GPRS 12 (4 Uplink) – CS1		27.17	27.12	27.11	24.95	25.01	24.97
DTM 5	GSM, 1 Uplink	30.05	30.04	30.07	28.02	28.05	28.04
	GPRS, 1 Uplink – CS1	30.04	30.03	30.06	28.01	28.03	28.02
DTM 9	GSM, 1 Uplink	30.04	30.03	30.06	28.00	28.04	28.03
	GPRS, 1 Uplink – CS1	30.03	30.02	30.05	27.98	28.02	28.01
DTM 11	GSM, 1 Uplink	28.02	28.02	28.05	26.01	26.04	26.03
	GPRS, 2 Uplink – CS1	28.01	28.01	28.04	25.99	26.03	26.01



Source-Based Time-Averaged Power						
Band	GSM850			GSM1900		
Channel	128	189	251	512	661	810
Frequency (MHz)	824.2	836.4	848.8	1850.2	1880.0	1909.8
GSM (1 Uplink)	24.26	24.27	24.28	21.24	21.23	21.23
GPRS 8 (1 Uplink) – CS1	24.25	24.25	24.26	21.25	21.28	21.21
GPRS 10 (2 Uplink) – CS1	24.16	24.12	24.12	22.47	22.50	22.46
GPRS 11 (3 Uplink) – CS1	23.90	23.85	23.86	22.22	22.26	22.22
GPRS 12 (4 Uplink) – CS1	24.17	24.12	24.11	21.95	22.01	21.97
DTM 5	GSM, 1 Uplink	24.02	24.01	24.04	21.99	22.02
	GPRS, 1 Uplink – CS1					
DTM 9	GSM, 1 Uplink	24.01	24.00	24.03	21.97	22.01
	GPRS, 1 Uplink – CS1					
DTM 11	GSM, 1 Uplink	23.75	23.75	23.78	21.74	21.77
	GPRS, 2 Uplink – CS1					

**Remark:** The source-based time-averaged power is linearly scaled the maximum burst averaged power based on time slots. The calculated method are shown as below:  
Source based time averaged power = Maximum burst averaged power (1 Uplink) - 9 dB  
Source based time averaged power = Maximum burst averaged power (2 Uplink) - 6 dB  
Source based time averaged power = Maximum burst averaged power (3 Uplink) - 4.26 dB  
Source based time averaged power = Maximum burst averaged power (4 Uplink) - 3 dB

**Note:**

1. For Head SAR testing, GSM and DTM should be evaluated, therefore the DUT was set in GSM for GSM850 and set in DTM 5 for GSM1900 due to its highest source-based time-average power.
2. For Body-worn SAR testing, GSM, GPRS and DTM should be evaluated, therefore the DUT was set in GPRS 8 for GSM850 and set in GPRS 10 for GSM1900 due to its highest source-based time-average power.
3. Per 2010/10 workshop, the maximum output power channel is used for SAR testing and for further SAR test reduction.



<WCDMA/HSDPA/HSUPA>

Band	WCDMA Band V			WCDMA Band II		
Channel	4132	4182	4233	9262	9400	9538
Frequency (MHz)	826.4	836.4	846.6	1852.4	1880.0	1907.6
RMC 12.2K	24.14	24.11	24.12	23.95	24.11	24.13
HSDPA Subtest-1	23.94	24.01	23.99	23.66	23.75	23.73
HSDPA Subtest-2	23.83	23.95	23.83	23.56	23.62	23.62
HSDPA Subtest-3	23.40	23.41	23.40	23.12	23.21	23.20
HSDPA Subtest-4	23.35	23.40	23.37	23.08	23.17	23.20

MPR							
3GPP Requirement		WCDMA band V			WCDMA band II		
0	HSDPA Subtest-1	0.00	0.00	0.00	0.00	0.00	0.00
0	HSDPA Subtest-2	0.11	0.06	0.16	0.10	0.13	0.11
0.5	HSDPA Subtest-3	0.54	0.60	0.59	0.54	0.54	0.53
0.5	HSDPA Subtest-4	0.59	0.61	0.62	0.58	0.58	0.53

Note:

1. For Head SAR, per KDB 941225 D01, RMC 12.2kbps setting is used to evaluate SAR. If AMR 12.2kbps power is < 1/4 dB higher than RMC, SAR tests with AMR 12.2kbps can be excluded.
2. For Body-worn SAR, per KDB 941225 D01, RMC 12.2kbps setting is used to evaluate SAR. If HSDPA subset-1 and HSUPA subset-5 output power is < 1/4 dB higher than RMC, HSDPA and HSUPA SAR evaluation can be excluded.
3. EUT is declared to follow the MPR of 3GPP Table 5.2B.1 specification, and the specification will set during the production. Since there is tolerance in measuring 3G output power, the difference between the measured value and the specification is treated as tolerance. According to KDB 941225 D02 v02, 1)b), the MPR implementation information is provided here.



<WLAN>

Mode	Channel	Frequency (MHz)	Average power (dBm)			
			Data Rate (bps)			
			1M	2M	5.5M	11M
802.11b	CH 01	2412 MHz	15.99	15.94	15.96	15.96
	CH 06	2437 MHz	16.62	16.52	16.54	16.58
	CH 11	2462 MHz	16.91	16.84	16.89	16.88

Mode	Channel	Frequency (MHz)	Average power (dBm)							
			Data Rate (bps)							
			6M	9M	12M	18M	24M	36M	48M	54M
802.11g	CH 01	2412 MHz	14.36	14.24	14.20	14.32	14.34	14.33	14.32	14.34
	CH 06	2437 MHz	14.89	14.74	14.77	14.78	14.78	14.77	14.84	14.86
	CH 11	2462 MHz	15.21	15.16	15.18	15.19	15.16	15.19	15.13	15.19

Mode	Channel	Frequency (MHz)	Average power (dBm)							
			Data Rate (bps)							
			MCS0	MCS1	MCS2	MCS3	MCS4	MCS5	MCS6	MCS7
802.11n 20M	CH 01	2412 MHz	12.20	12.11	12.19	12.16	12.17	12.16	12.18	12.19
	CH 06	2437 MHz	12.74	12.66	12.66	12.69	12.66	12.64	12.68	12.66
	CH 11	2462 MHz	13.12	12.99	13.07	13.04	13.05	13.04	13.08	13.08

Note:

1. choose the highest output power channel to test SAR and determine further SAR exclusion
2. 11g and 11n output power is less than 1/4 dB higher than 11b mode, thus the SAR can be excluded.

Mode	Channel	Frequency (MHz)	Average power (dBm)								
			Data Rate (bps)								
			DH1	DH3	DH5	2DH1	2DH3	2DH5	3DH1	3DH3	3DH5
Bluetooth	CH 00	2402 MHz	8.25	8.33	8.40	6.27	6.26	6.24	6.16	6.31	6.26
	CH 39	2441 MHz	9.11	9.13	9.15	7.11	7.06	7.09	7.14	7.13	7.10
	CH 78	2480 MHz	8.92	8.98	8.81	6.77	6.85	6.81	6.87	6.92	6.92

**12.2 Test Records for Head SAR Test**

**<GSM>**

Plot No.	Band	Mode	Test Position	Ch.	SAR <sub>1g</sub> (W/kg)	SAR <sub>10g</sub> (W/kg)
57	GSM850	GSM	Right Cheek	251	0.506	0.371
58	GSM850	GSM	Right Tilted	251	0.322	0.249
59	<b>GSM850</b>	<b>GSM</b>	<b>Left Cheek</b>	<b>251</b>	<b>0.533</b>	<b>0.421</b>
60	GSM850	GSM	Left Tilted	251	0.387	0.302
45	<b>GSM1900</b>	<b>DTM5</b>	<b>Right Cheek</b>	<b>661</b>	<b>0.486</b>	<b>0.292</b>
46	GSM1900	DTM5	Right Tilted	661	0.144	0.094
47	GSM1900	DTM5	Left Cheek	661	0.342	0.215
48	GSM1900	DTM5	Left Tilted	661	0.148	0.088

**Note:** Per KDB 648474, if the highest output channel SAR for each exposure position  $\leq 0.8$  W/kg other channels SAR tests are not necessary.

**<WCDMA>**

Plot No.	Band	Mode	Test Position	Ch.	SAR <sub>1g</sub> (W/kg)	SAR <sub>10g</sub> (W/kg)
53	WCDMA V	RMC12.2K	Right Cheek	4132	0.474	0.349
54	WCDMA V	RMC12.2K	Right Tilted	4132	0.303	0.237
55	<b>WCDMA V</b>	<b>RMC12.2K</b>	<b>Left Cheek</b>	<b>4132</b>	<b>0.497</b>	<b>0.39</b>
56	WCDMA V	RMC12.2K	Left Tilted	4132	0.294	0.23
49	<b>WCDMA II</b>	<b>RMC12.2K</b>	<b>Right Cheek</b>	<b>9538</b>	<b>0.649</b>	<b>0.384</b>
50	WCDMA II	RMC12.2K	Right Tilted	9538	0.228	0.143
51	WCDMA II	RMC12.2K	Left Cheek	9538	0.52	0.321
52	WCDMA II	RMC12.2K	Left Tilted	9538	0.244	0.143

**Note:** Per KDB 648474, if the highest output channel SAR for each exposure position  $\leq 0.8$  W/kg other channels SAR tests are not necessary.

**<WLAN>**

Plot No.	Band	Mode	Test Position	Ch.	SAR <sub>1g</sub> (W/kg)	SAR <sub>10g</sub> (W/kg)
61	<b>802.11b</b>	-	<b>Right Cheek</b>	<b>11</b>	<b>0.168</b>	<b>0.074</b>
62	802.11b	-	Right Tilted	11	0.098	0.041
63	802.11b	-	Left Cheek	11	0.072	0.033
64	802.11b	-	Left Tilted	11	0.051	0.023

**Note:** Per KDB 648474, if the highest output channel SAR for each exposure position  $\leq 0.8$  W/kg other channels SAR tests are not necessary.

**12.3 Test Records for Hotspot SAR Test**

<GSM>

Plot No.	Band	Mode	Test Position	Gap (cm)	Ch.	Ear-phone	SAR <sub>1g</sub> (W/kg)	SAR <sub>10g</sub> (W/kg)
12	GSM850	GPRS8	Front	1	251	-	0.657	0.491
13	<b>GSM850</b>	<b>GPRS8</b>	<b>Back</b>	<b>1</b>	<b>251</b>	-	<b>1.15</b>	<b>0.838</b>
14	GSM850	GPRS8	Left Side	1	251	-	0.501	0.35
15	GSM850	GPRS8	Right Side	1	251	-	0.416	0.285
17	GSM850	GPRS8	Bottom Side	1	251	-	0.176	0.1
18	GSM850	GPRS8	Back	1	128	-	1.03	0.743
19	GSM850	GPRS8	Back	1	189	-	1.08	0.787
23	GSM1900	GPRS10	Front	1	661	-	0.519	0.317
24	GSM1900	GPRS10	Back	1	661	-	0.598	0.352
25	GSM1900	GPRS10	Left Side	1	661	-	0.112	0.07
26	GSM1900	GPRS10	Right Side	1	661	-	0.163	0.096
28	GSM1900	GPRS10	Bottom Side	1	661	-	0.822	0.485
30	<b>GSM1900</b>	<b>GPRS10</b>	<b>Bottom Side</b>	<b>1</b>	<b>512</b>	-	<b>0.85</b>	<b>0.505</b>
31	GSM1900	GPRS10	Bottom Side	1	810	-	0.77	0.449

**Note:**

1. Per KDB 941225 D06, for DUT dimension ≥ 9cm\*5cm, the test distance is 1cm. SAR must be measured for all surfaces and sides with a transmitting antenna located within 2.5cm from that surface or edge.
2. As in (1), SAR for Front/Back/Bottom Side/Left Side/Right Side is necessary.
3. Per KDB 648474 if the highest output channel SAR for each exposure position ≤ 0.8 W/kg other channels SAR tests are not necessary.



<WCDMA>

Plot No.	Band	Mode	Test Position	Gap (cm)	Ch.	Ear-phone	SAR <sub>1g</sub> (W/kg)	SAR <sub>10g</sub> (W/kg)
1	WCDMA V	RMC12.2K	Front	1	4132	-	0.692	0.515
2	WCDMA V	RMC12.2K	Back	1	4132	-	1.12	0.816
3	WCDMA V	RMC12.2K	Left Side	1	4132	-	0.626	0.436
4	WCDMA V	RMC12.2K	Right Side	1	4132	-	0.505	0.348
6	WCDMA V	RMC12.2K	Bottom Side	1	4132	-	0.138	0.08
7	WCDMA V	RMC12.2K	Back	1	4182	-	1.23	0.893
<b>8</b>	<b>WCDMA V</b>	<b>RMC12.2K</b>	<b>Back</b>	<b>1</b>	<b>4233</b>	-	<b>1.23</b>	<b>0.9</b>
32	WCDMA II	RMC12.2K	Front	1	9538	-	0.748	0.452
33	WCDMA II	RMC12.2K	Back	1	9538	-	0.824	0.494
34	WCDMA II	RMC12.2K	Left Side	1	9538	-	0.17	0.104
35	WCDMA II	RMC12.2K	Right Side	1	9538	-	0.23	0.134
37	WCDMA II	RMC12.2K	Bottom Side	1	9538	-	1.27	0.739
40	WCDMA II	RMC12.2K	Back	1	9262	-	0.857	0.507
41	WCDMA II	RMC12.2K	Back	1	9400	-	0.754	0.452
<b>38</b>	<b>WCDMA II</b>	<b>RMC12.2K</b>	<b>Bottom Side</b>	<b>1</b>	<b>9262</b>	-	<b>1.33</b>	<b>0.786</b>
39	WCDMA II	RMC12.2K	Bottom Side	1	9400	-	1.25	0.731

Note:

1. Per KDB 941225 D06, for DUT dimension  $\geq 9\text{cm} \times 5\text{cm}$ , the test distance is 1cm. SAR must be measured for all surfaces and sides with a transmitting antenna located within 2.5cm from that surface or edge.
2. As in (1), SAR for Front/Back/Bottom Side/Left Side/Right Side is necessary.
3. Per KDB 648474, if the highest output channel SAR for each exposure position  $\leq 0.8 \text{ W/kg}$  other channels SAR tests are not necessary.

<WLAN>

Plot No.	Band	Mode	Test Position	Gap (cm)	Ch.	Ear-phone	SAR <sub>1g</sub> (W/kg)	SAR <sub>10g</sub> (W/kg)
65	802.11b	-	Front	1	11	-	0.041	0.019
66	<b>802.11b</b>	-	<b>Back</b>	<b>1</b>	<b>11</b>	-	<b>0.134</b>	<b>0.064</b>
67	802.11b	-	Left Side	1	11	-	0.097	0.047
69	802.11b	-	Top Side	1	11	-	0.028	0.013

Note:

1. Per KDB 941225 D06, for DUT dimension  $\geq 9\text{cm} \times 5\text{cm}$ , the test distance is 1cm. SAR must be measured for all surfaces and sides with a transmitting antenna located within 2.5cm from that surface or edge.
2. As in (1), SAR for Front/Back/Top Side/Left Side is necessary.
3. Per KDB 648474, if the highest output channel SAR for each exposure position  $\leq 0.8$  W/kg other channels SAR tests are not necessary.

**12.4 Test Records for Body-worn SAR Test**

<GSM>

Plot No.	Band	Mode	Test Position	Gap (cm)	Ch.	Ear-phone	SAR <sub>1g</sub> (W/kg)	SAR <sub>10g</sub> (W/kg)
12	GSM850	GPRS8	Front	1	251	-	0.657	0.491
13	<b>GSM850</b>	<b>GPRS8</b>	<b>Back</b>	<b>1</b>	<b>251</b>	-	<b>1.15</b>	<b>0.838</b>
18	GSM850	GPRS8	Back	1	128	-	1.03	0.743
19	GSM850	GPRS8	Back	1	189	-	1.08	0.787
20	GSM850	GPRS8	Back	1	251	v	1.02	0.723
21	GSM850	GPRS8	Back	1	128	v	0.857	0.608
22	GSM850	GPRS8	Back	1	189	v	0.929	0.662
23	GSM1900	GPRS10	Front	1	661	-	0.519	0.317
24	<b>GSM1900</b>	<b>GPRS10</b>	<b>Back</b>	<b>1</b>	<b>661</b>	-	<b>0.598</b>	<b>0.352</b>
29	GSM1900	GPRS10	Back	1	661	v	0.546	0.333

Note: Per KDB 648474, if the highest output channel SAR for each exposure position  $\leq 0.8$  W/kg other channels SAR tests are not necessary.



<WCDMA>

Plot No.	Band	Mode	Test Position	Gap (cm)	Ch.	Ear-phone	SAR <sub>1g</sub> (W/kg)	SAR <sub>10g</sub> (W/kg)
1	WCDMA V	RMC12.2K	Front	1	4132	-	0.692	0.515
2	WCDMA V	RMC12.2K	Back	1	4132	-	1.12	0.816
7	WCDMA V	RMC12.2K	Back	1	4182	-	1.23	0.893
<b>8</b>	<b>WCDMA V</b>	<b>RMC12.2K</b>	<b>Back</b>	<b>1</b>	<b>4233</b>	-	<b>1.23</b>	<b>0.9</b>
9	WCDMA V	RMC12.2K	Back	1	4233	v	1.12	0.803
10	WCDMA V	RMC12.2K	Back	1	4132	v	0.983	0.703
11	WCDMA V	RMC12.2K	Back	1	4182	v	1.09	0.783
32	WCDMA II	RMC12.2K	Front	1	9538	-	0.748	0.452
33	WCDMA II	RMC12.2K	Back	1	9538	-	0.824	0.494
<b>40</b>	<b>WCDMA II</b>	<b>RMC12.2K</b>	<b>Back</b>	<b>1</b>	<b>9262</b>	-	<b>0.857</b>	<b>0.507</b>
41	WCDMA II	RMC12.2K	Back	1	9400	-	0.754	0.452
42	WCDMA II	RMC12.2K	Back	1	9262	v	0.85	0.504
43	WCDMA II	RMC12.2K	Back	1	9400	v	0.752	0.449
44	WCDMA II	RMC12.2K	Back	1	9538	v	0.816	0.49

Note: Per KDB 648474, if the highest output channel SAR for each exposure position ≤ 0.8 W/kg other channels SAR tests are not necessary.

<WLAN>

Plot No.	Band	Mode	Test Position	Gap (cm)	Ch.	Ear-phone	SAR <sub>1g</sub> (W/kg)	SAR <sub>10g</sub> (W/kg)
65	802.11b	-	Front	1	11	-	0.041	0.019
<b>66</b>	<b>802.11b</b>	-	<b>Back</b>	<b>1</b>	<b>11</b>	-	<b>0.134</b>	<b>0.064</b>
71	802.11b	-	Back	1	11	v	0.118	0.056

Note: Per KDB 648474, if the highest output channel SAR for each exposure position ≤ 0.8 W/kg other channels SAR tests are not necessary.



12.5 Simultaneous Multi-band Transmission

<Simultaneous Transmission – Head SAR>

Table with 7 columns: Position, GSM 850, GSM 1900, WCDMA Band V, WCDMA Band II, 802.11b/g, Max. SAR Summation. Rows include Right Cheek, Right Tilted, Left Cheek, Left Tilted.

<Simultaneous Transmission –Body-worn SAR>

Table with 7 columns: Position, GSM 850, GSM 1900, WCDMA Band V, WCDMA Band II, 802.11b/g, Max. SAR Summation. Rows include Front, Back.

<Simultaneous Transmission –HotSpot SAR>

Table with 7 columns: Position, GSM 850, GSM 1900, WCDMA Band V, WCDMA Band II, 802.11b/g, Max. SAR Summation. Rows include Front, Back, Left Side, Right Side, Top Side, Bottom Side.

Note:

- 1 The maximum SAR summation is calculated based on the same configuration and test position.
2 For 1g-SAR scalar summation < 1.6W/kg, simultaneous SAR measurement is not necessary.
3 If SPLSR < 0.3, volume scan is not necessary; referring to KDB 648474.

Test Engineer : Vic Yang, Angelo Chang, Aaron Chen, and Cona Huang



### **13. References**

- [1] FCC 47 CFR Part 2 "Frequency Allocations and Radio Treaty Matters; General Rules and Regulations"
- [2] IEEE Std. C95.1-1991, "IEEE Standard for Safety Levels with Respect to Human Exposure to Radio Frequency Electromagnetic Fields, 3 kHz to 300 GHz", 1991
- [3] IEEE Std. 1528-2003, "Recommended Practice for Determining the Peak Spatial-Average Specific Absorption Rate (SAR) in the Human Head from Wireless Communications Devices: Measurement Techniques", December 2003
- [4] FCC OET Bulletin 65 (Edition 97-01) Supplement C (Edition 01-01), "Evaluating Compliance with FCC Guidelines for Human Exposure to Radiofrequency Electromagnetic Fields", June 2001
- [5] SPEAG DASY System Handbook
- [6] FCC KDB 248227 D01 v01r02, "SAR Measurement Procedures for 802.11 a/b/g Transmitters", May 2007
- [7] FCC KDB 447498 D01 v04, "Mobile and Portable Device RF Exposure Procedures and Equipment Authorization Policies", November 2009
- [8] FCC KDB 648474 D01 v01r05, "SAR Evaluation Considerations for Handsets with Multiple Transmitters and Antennas", September 2008
- [9] FCC KDB 941225 D01 v02, "SAR Measurement Procedures for 3G Devices – CDMA 2000 / Ev-Do / WCDMA / HSDPA / HSPA", October 2007
- [10] FCC KDB 941225 D02 v02 "3GPP R6 HSPA and R7 HSPA+ SAR Guidance", December 2009.
- [11] FCC KDB 941225 D03 v01, "Recommended SAR Test Reduction Procedures for GSM / GPRS / EDGE", December 2008
- [12] FCC KDB 941225 D04 v01, "Evaluating SAR for GSM/(E)GPRS Dual Transfer Mode", January 27 2010
- [13] FCC KDB 941225 D06 v01, "SAR Evaluation Procedures for Portable Devices with Wireless Router Capabilities", April 2011
- [14] FCC KDB 388624 D02, "Permit But Ask List", April 2011.



## ***Appendix A. Plots of System Performance Check***

The plots are shown as follows.



## ***Appendix B. Plots of SAR Measurement***

The plots are shown as follows.



## **Appendix C. DASYS Calibration Certificate**

The DASYS calibration certificates are shown as follows.