

一般公差			
mm \ CLASS	A	B	C
< 6mm	±0.05	±0.1	±0.5
6 ~ 18mm	±0.1	±0.2	±0.8
18 ~ 50mm	±0.2	±0.3	±1.0
50 ~ 180mm	±0.3	±0.5	±1.5
180 ~ 300mm	±0.5	±0.8	±2.0
300 ~ 600mm	±0.8	±1.2	±3.0
> 600mm	±1.2	±1.8	±5.0
本圖使用			

 **MOTOROLA**
 EX119 86813LYESA
 DQ4-4411J11
 Made in China
 FCC ID IHDT58MK2
 CHWF1801AA
 V132438535

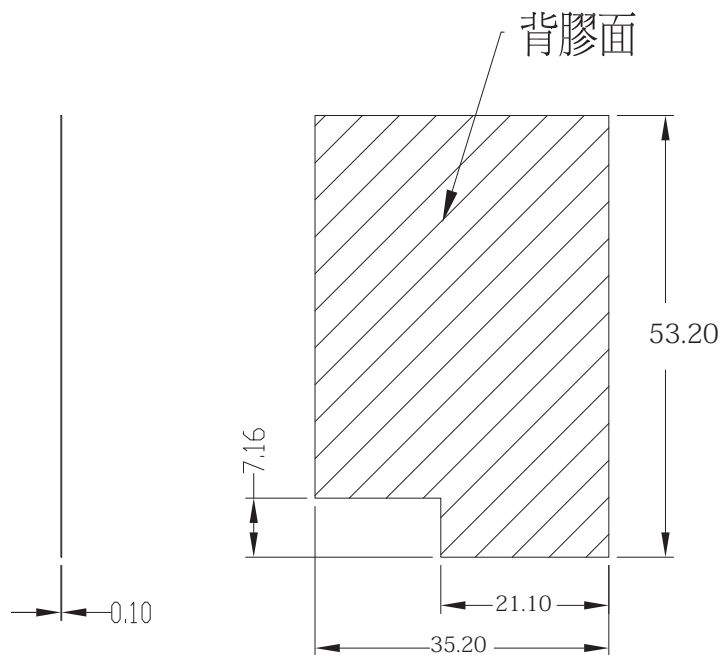
 P-IMEI: 355496040000011

 S-IMEI: 355496040000012

 MSN: M02U070001

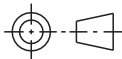
 BTAddr: 0024E9FAB8FA

CE0168
 15FEB11



正式圖面



	DATE	DESIGN	CHECK	APPROVED	UNIT	SCALE	MATERIAL	白色特多龍	MODEL	8232	DWG NAME	handset Label
	2011/03/21	alina	alina	morrayhou	mm	1:1	FINISH	單色印刷	CUSTOMER	MOTOROLA	PART NO.	7L-823200-0003