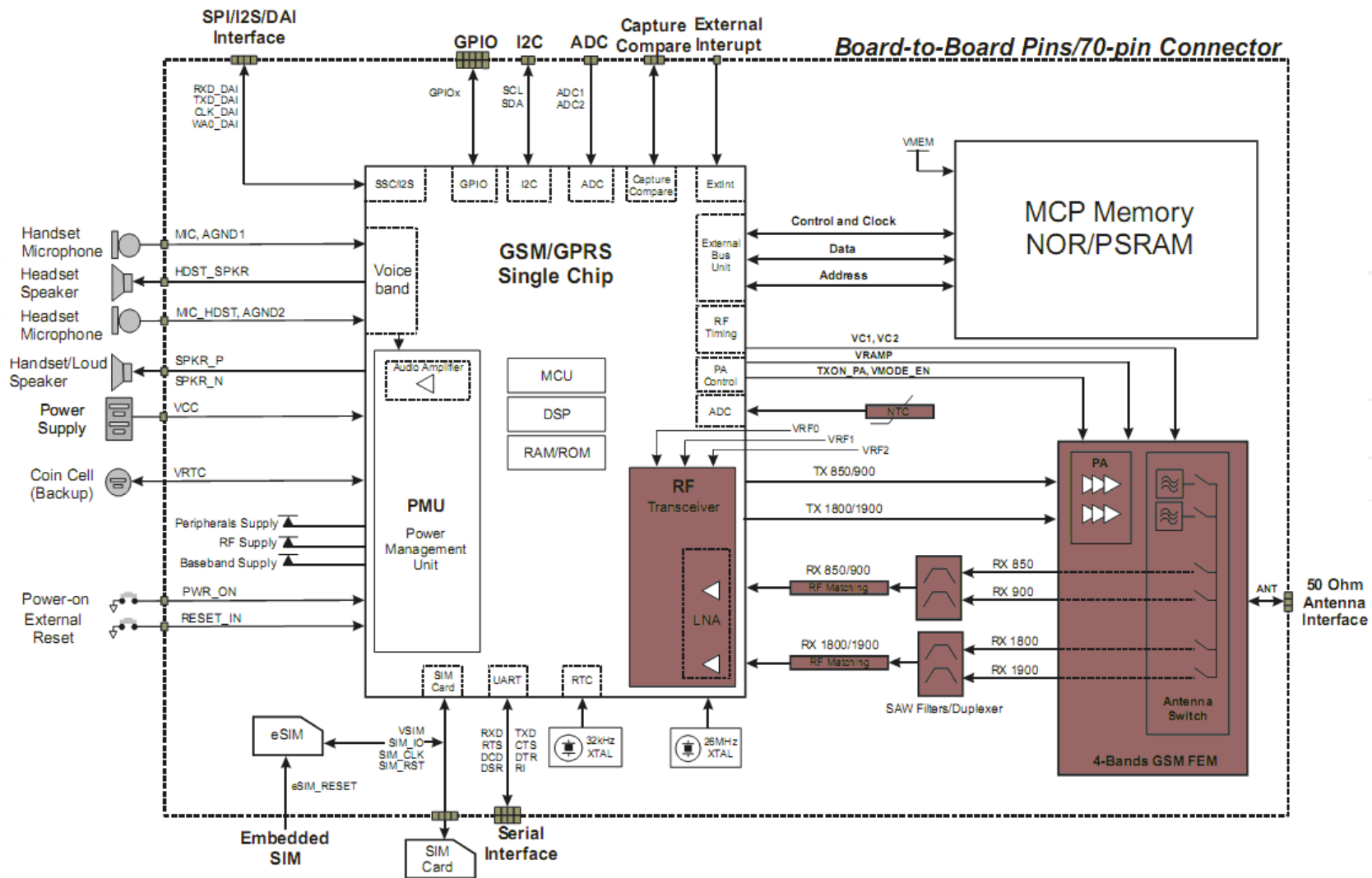


EXHIBIT 4. – Block Diagram -- Pursuant 47 CFR 2.1033(c)(10)



G30 BB & RF- Block Diagram