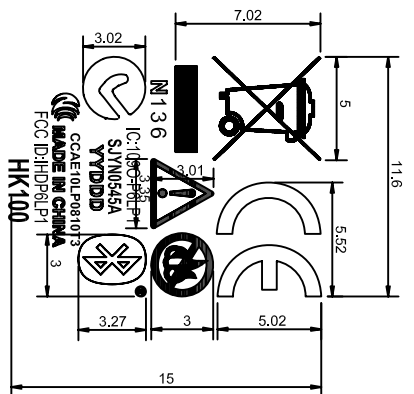
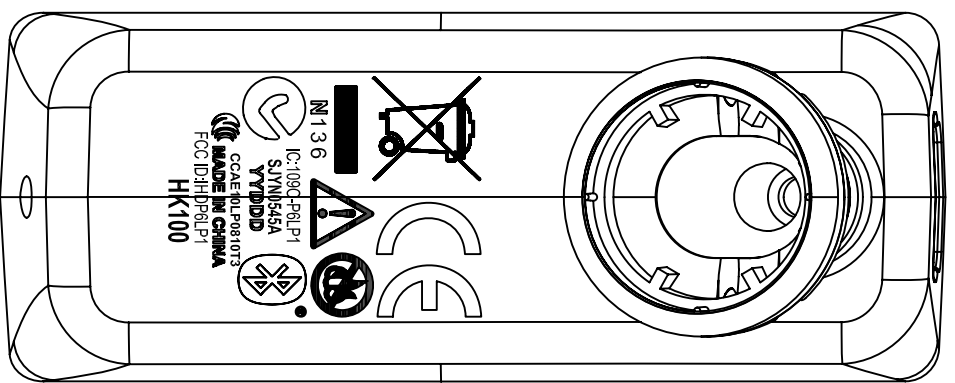


REVISIONS RECORD					
ZONE	DESCRIPTION	REV.	DATE	EDN. NDL	REDIACTOR



THIS DOCUMENT IS THE SOLE PROPERTY OF CHENG YEI PRECISION INDUSTRY CO., LTD. AND SHOULD NOT BE USED IN WHOLE OR IN PART WITHOUT PRIOR WRITTEN PERMISSION. 2. THE HAZARDOUS SUBSTANCE CONTAINED IN EACH HOMOGENEOUS MATERIAL SHALL COMPLY WITH THE LATEST VERSION OF FOLLOWS GREEN PROCUREMENT STANDARDS (2005.2205.10). 3. THE RESTRICTED SUBSTANCES NEED TO MEET CUSTOMERS SPEC. REQUIRES HOUSING.DOC. NO.1

CHENG YEI PRECISION INDUSTRY CO., LTD

TOLERANCE UNLESS OTHERWISE SPECIFIED (±)		INTENDED USE:		TITLE:	
L <= 3 mm	0.05	MBT-9213		BOTTOM_HOUSING_LASER_DRAWING	
3 < L <= 15 mm	0.08				
15 < L <= 30 mm	0.1				
30 < L <= 70 mm	0.15				
70 < L <= 120 mm	0.2				
> 120 mm	0.3				
ANGLE (degrees)	1.0				

■ = CRITICAL DIM	● = TOOLING DIM	▲ = PROCESS DIM (CPK)	MAT'L.	SEE NOTES	⊙ = DIMENSION ID
APPL: Jason Chen	CHKD: Ben Woo	DR: Andy Xiong	DATE: 2010.04.19	SCALE: 2:1	PAGE: 1/1
					REV: X01

Drawing name : BOTTOM_HOUSING_LASER_DRAWING / Model name : BOTTOM_HOUSING_LASER_DRAWING