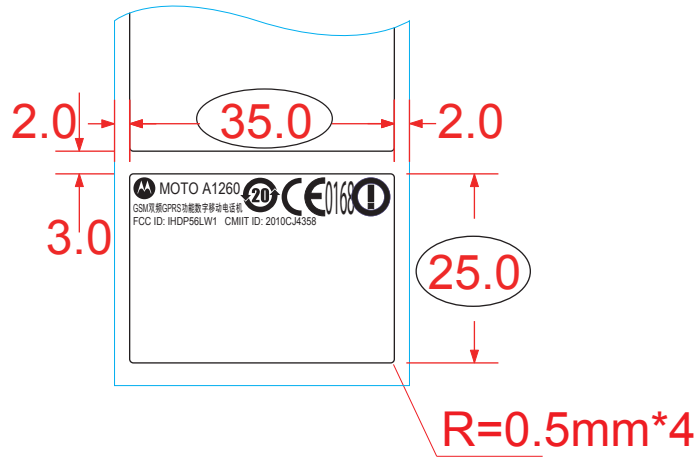


THIS DRAWING AND SPECIFICATIONS, HEREIN, ARE THE PROPERTY OF INVENTEC CORPORATION AND SHALL NOT BE REPRODUCED, COPIED, OR USED IN WHOLE OR IN PART AS THE BASIS FOR THE MANUFACTURE OR SALE OF ITEMS WITHOUT WRITTEN PERMISSION, INVENTEC CORPORATION.

LEGEND		
PART NO.	REV	Part Description
6060B1205201	A01	LABEL, AGENCY, 35mm, 25mm

Notes:

- (1)  MARK DIMENSION NEED TO BE MEASURED BY IQC INSPECTION.
- (2) PART TO BE PACKAGED TO PREVENT DAMAGED IN SHIPPING AND HANDLING.
- (3) OTHERS: ACCORDING TO IQC INSPECTION STANDARD OF INVENTEC (IF NOT SPECIFIED).
- (4) MATERIAL: A. 格底白色聚酯商标纸, HTLW50-KK
PPATM, 金利寶
B. ADHESIVE: NA
C. THICKNES: 0.08mm
- (5) COLOR: A. BACKGROUND: Material Color
B. GRAPHIC: NA(Print on demand)
- (6) HSF PROPERTY: comply iSupplier system HSF property attribute up-to-date value.



Print on demand area

IEC
MER D
正式
圖面

REVISION HISTORY		CHANGE NO.	INITIAL	DATE	dd/mm/yyyy
DESIGNER	Jessic			15/09/2010	
DOC REV	A				

MODEL NO. Lucky Edge		Inventec CORPORATION		CONFIDENTIAL	
DESIGNER Jessic	D: 15 M: 09 Y: 10	TITLE XCVR Label			
MANAGER Willy	D: 15 M: 09 Y: 10	DOCUMENT NUMBER			
THIRD ANGLE PROJECTION		DO NOT SCALE DRAWING		SIZE A PS	NUMBER 6060-B12052-0-AI
LINEAR	X X.X X.XX	SCALE: 1:1	UNIT: mm	SHEET: 1 OF 1	REV A ID_VER 0
mm	±0.2	FILE NAME lucky-l-device-6060B1205201		IP_REV 0	IP_VER 0
Inch					