

Circuit Diagram

DESIGN DESCRIPTION

REV HISTORY:

P3 FRAME BUFFER AND ROM: D1 CHANGE TO R52, D2 CHANGE TO R53.

P6 ICM102A CMOS SENSOR: R27,R31 SDV33 CHANGE CONNECTOR TO DV33, ADD 74LV74 24Mhz ADCLK, ADD -SENSOR_RST R,C CIRCUIT.

P7 POWER: ADD D9 ISS355.

USER INTERFACE DESCRIPTION

MA12/ GPIO_0 SDRAM address 12
MA13/ GPIO_1 SDRAM address 13
GPIO_2 SDRAM CKE control
GPIO_3
GPIO_4 STATUS LCD CS-
GPIO_5 STATUS LCD RD-
GPIO_6 STATUS LCD WR-
GPIO_7 STATUS LCD DATA

GPIO_0 MODE select button and POWER ON button.
GPIO_1
GPIO_2
GPIO_3 USB detect
GPIO_4
GPIO_5 BATTERY_LOW
GPIO_6 TAKE-PICTURE button
GPIO_7

PI_0 POWER LED (LOW ON)
PI_1 sensor -RESET
PI_2
PI_3 I2C ENABLE (SERIAL BUS TXD)
PI_4 I2C DATA (SERIAL BUS RXD)
PI_5 I2C CLK (SERIAL BUS CLOCK)
PI_6 AUTO CAPTURE LED (LOW)

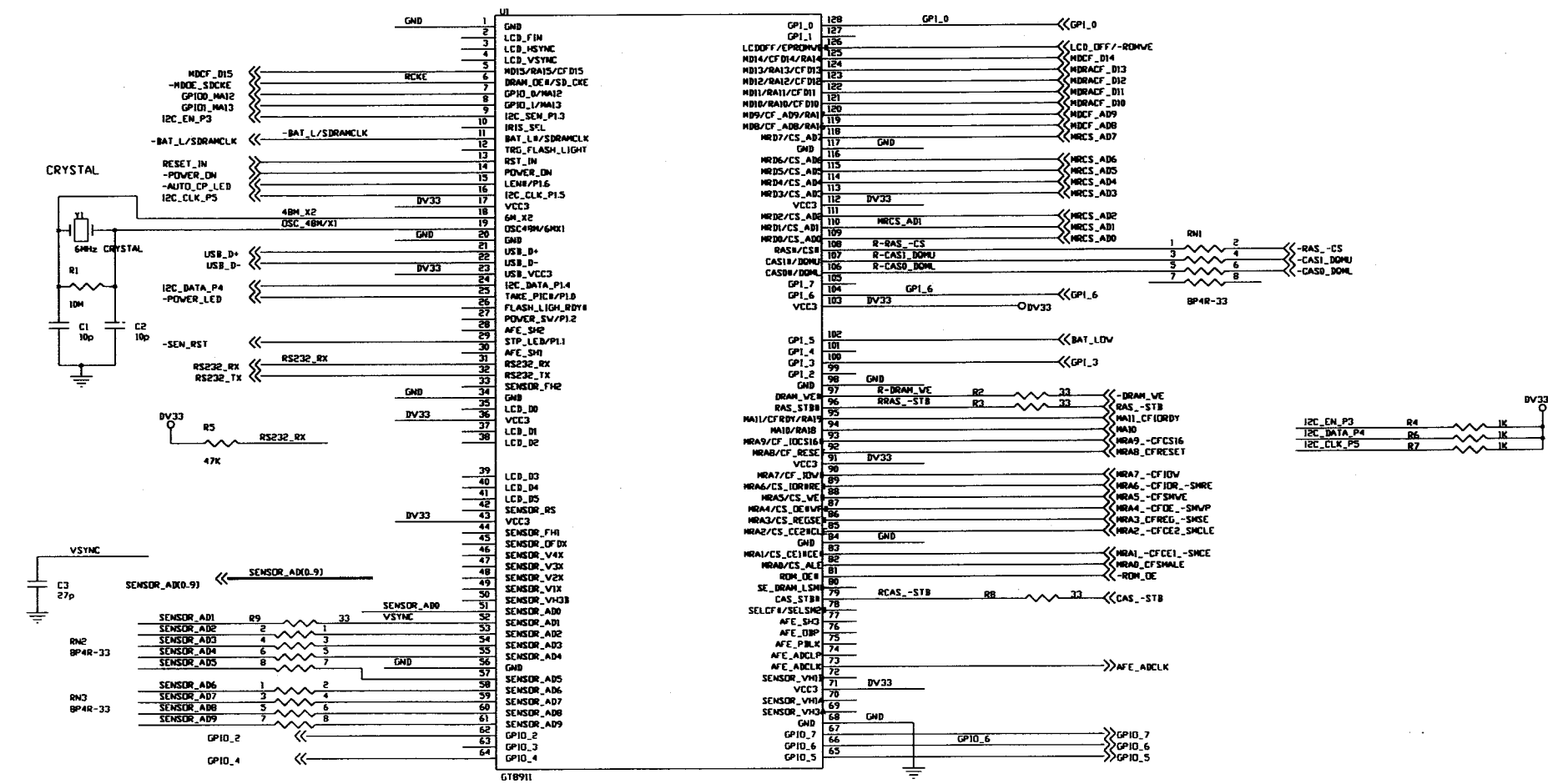
EPROM_WE#/ LCD-OFF Flash-ROM write enable.

Sametime Electronics LTD.
Block 1, 17/F., Kingsford Industrial BLDG.
26-32 Kwai Hei ST., Kwai Chung, Hong Kong.
TEL: 852-2614 4477 FAX: 852-2615 5999 e-mail: flex@sametime.com.hk

Title
A100 3 IN 1 D-CAM README

Size	Document Number	Rev
B	RDW-SCH-A100XX-01-10	1.0
Date:	Tuesday, March 15, 2005	Sheet 1 of 1

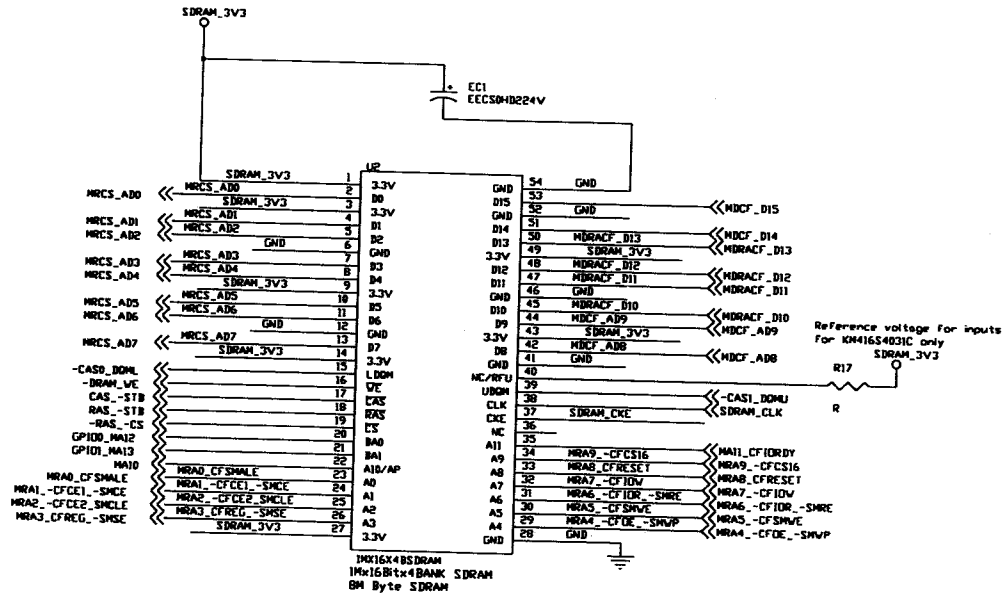
GT8911 ASIC



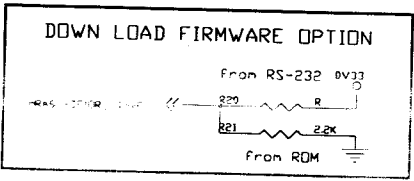
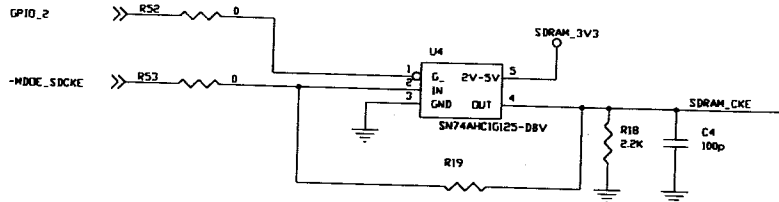
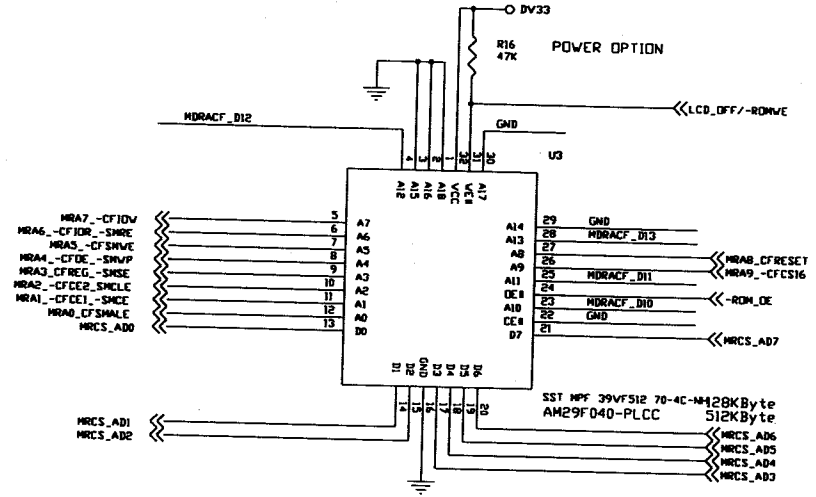
Sinetime Electronics LTD.
 Block 1, 177th, Kingsford Industrial Bldg.
 26-32 Kwai Hei St., Kwai Chung, Hong Kong.
 TEL: 852-2514 4477 FAX: 852-2615 5999 e-mail: felex@sinetime.com.hk
 Title: A100 3 IN 1 D-CAM
 Size: Document Number
 RDW-SCH-A100XX-01-10

Set internal Firmware space to 16KByte
 R13 4.7K

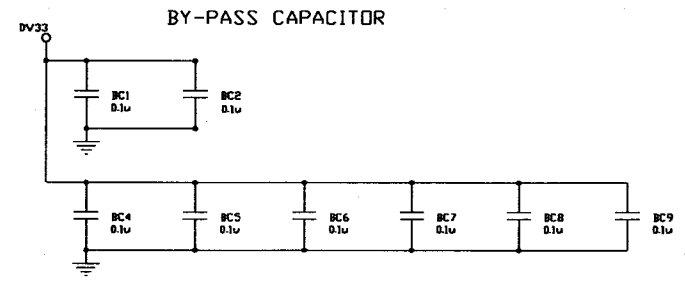
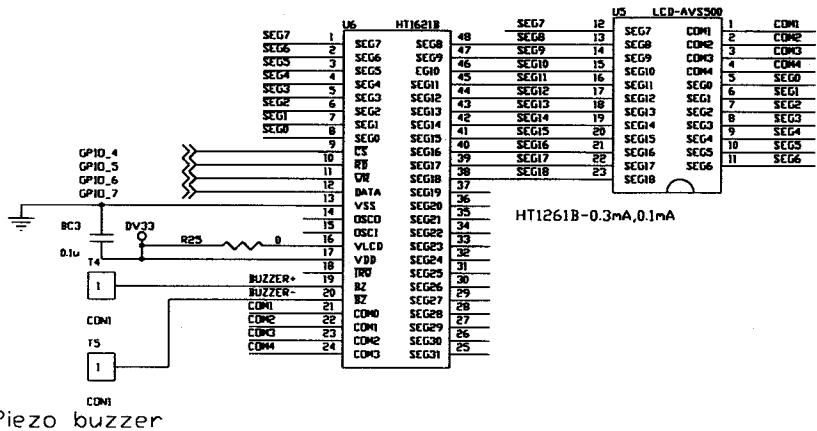
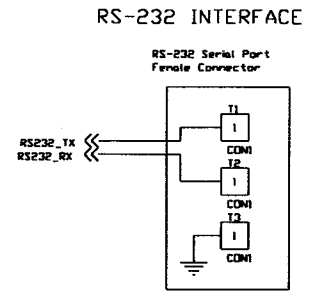
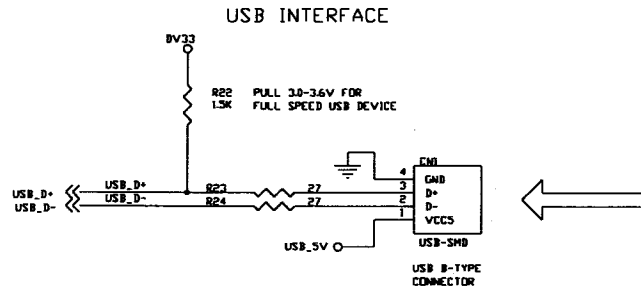
IMAGE FRAME BUFFER
SDRAM OPTION DEPEND ON SENSOR



PROGRAM MEMORY (EXTERNAL ROM)

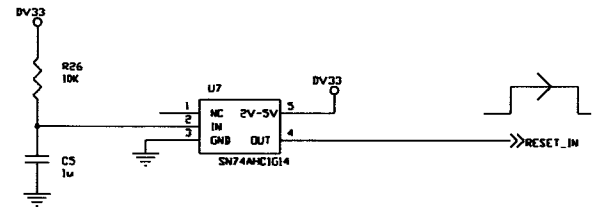


Sametime Electronics LTD.
Block 1, 177E, Kingsford Industrial Estate
B6-32 Kwai Hei ST., Kwai Chung, Hong Kong
TEL: 852-2614 4477 FAX: 852-2615 59993 e-mail: felex@sametime.com.hk
Title: A100 3 IN 1 D-CAM Image Sensor and Ext ROM
Size: Document Number: RDW-SCH-A100XX-01-10

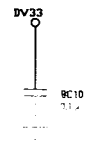
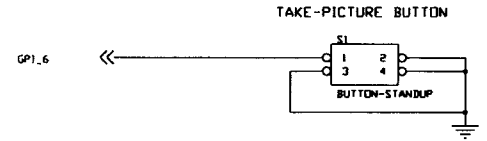


Sanyo Electronics LTD.
26-32 Keai Mei ST., Keai Chung, Hong Kong
TEL 852-2614 4477 FAX 852-2615 5999
File: A100 5 IN 1 D-CAM USB,RS232,BY-PASS,LCM
Size: Document Number: RDW-SDM-A100XA-01-16

SYSTEM RESET

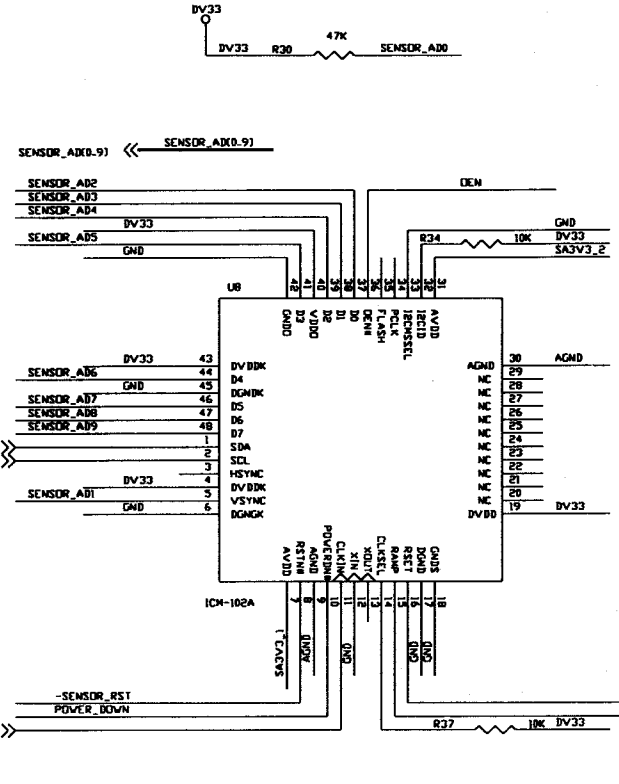
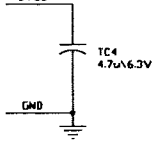
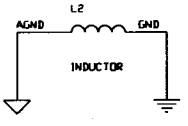
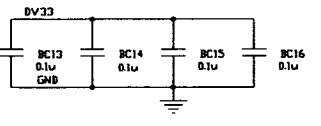
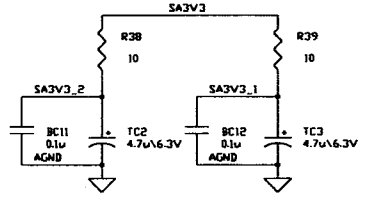
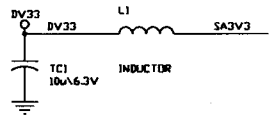
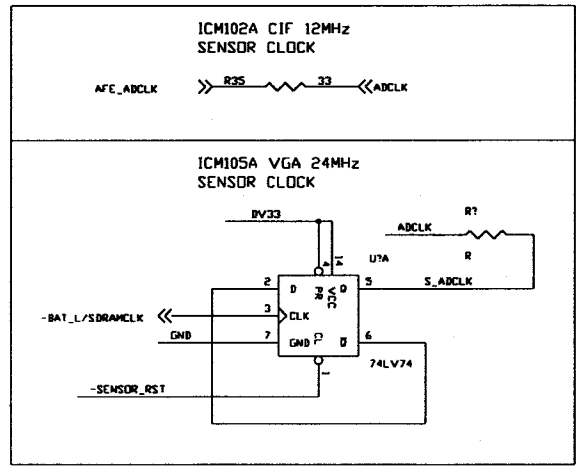
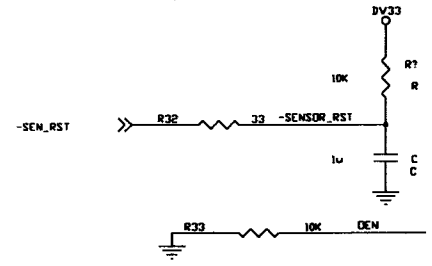


BUTTON



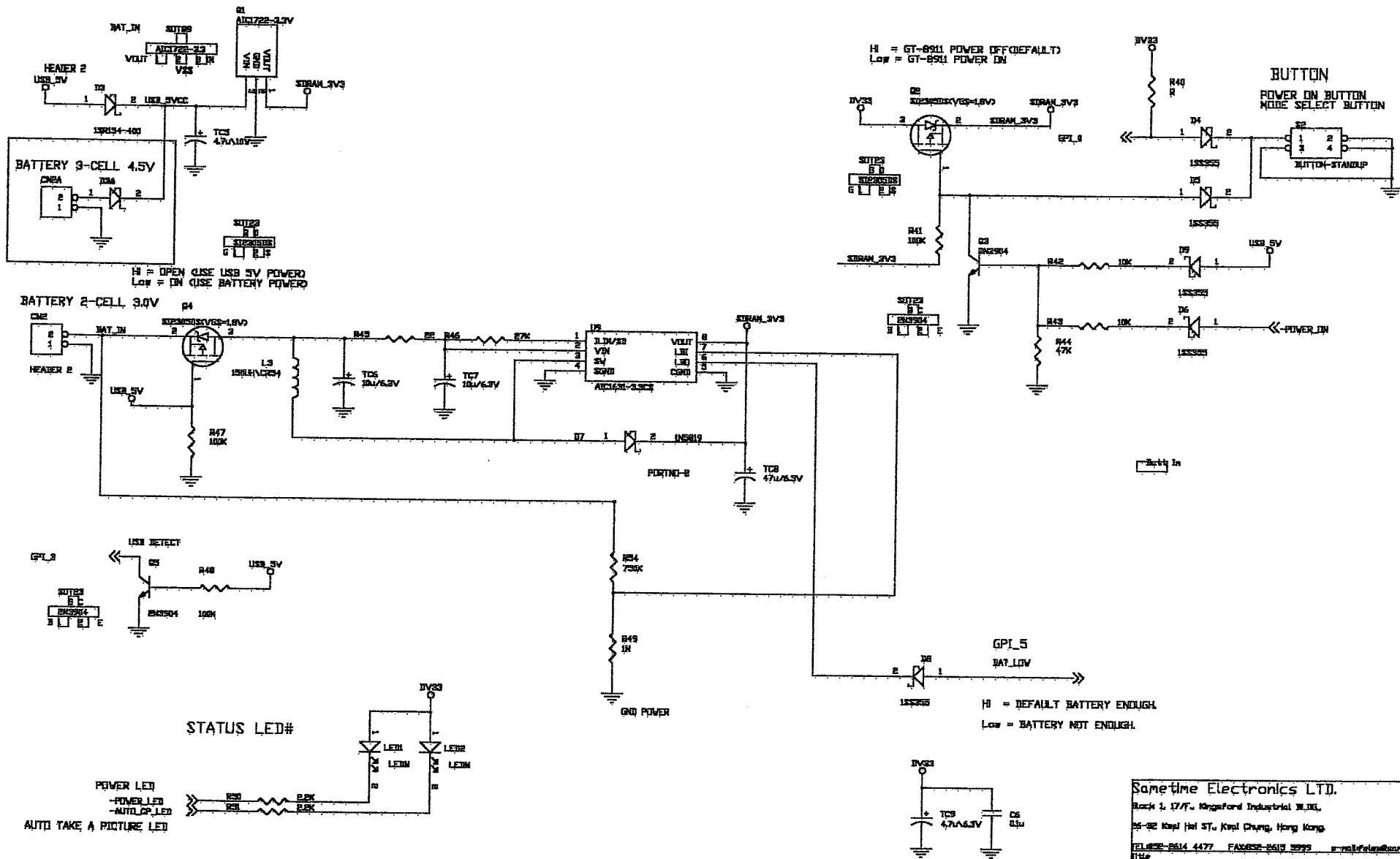
Sung Shin Electronics LTD.	
26-32 Keai Hei ST., Keai Chung, Hong Kong.	
TEL:852-2614 4477 FAX:852-2615 5999 e-mail:feix@ssnet.hk.com.hk	
Title: A100 3 IN 1 D-CAM Button,Reset	
Size: RDW-SD	Document Number: A100X-01-01

DV33	R27	10K	SENSOR_AD2	SELECT MASTER MODE	10K
GND	R28	10K	SENSOR_AD7	HSYNC POLARITY	Low
GND	R29	10K	SENSOR_AD8	VSYNC POLARITY	Low
DV33	R31	10K	POWER_DOWN	POWER DOWN ACTIVE	Low
DV33			SEN	SEN OUTPUT ENABLE	Low



This is a conceptual design for illustrating IC MEDIA CMOS SENSOR application only.
Please refer to IC MEDIA DATA SHEET for a more complete design.

None Fine Electronics LTD.
26-32 Kwai Hei ST., Kwai Chung, Hong Kong
TEL: 852-2614 4777 FAX: 852-2615 5999
File: A100 3 IN 1 D-CAM IC MEDIA ICM105A CMOS SENSOR
Size: Document Number: RD-100H-A100X3-01-0



SameTime Electronics LTD.
 Room 1, 17/F., Kingsford Industrial Bldg.,
 25-28 Kai Hai ST., Kowloon, Hong Kong
 TEL: 852-2614 4477 FAX: 852-2613 9995 e-mail: info@sametime.com.hk
 Title: A100 3 IN 1 D-CAM POWER
 Rev: 3 Document Number: RIDW-SCH-A100XX-01-10 Rev: 1.0
 Date: Translaw, March 15, 2001 Sheet: 7 of 7