

a page up, down, left or right. This button mimics your cursor pressing on the vertical and horizontal scroll bars of Windows applications.

Function	Left button	Right button	Center buttons	Tap
Execute	Click twice quickly			Tap twice (at the same speed as double-clicking a mouse button)
Select	Click once			Tap once
Drag	Click and hold, then use finger to drag the cursor on the touchpad			Tap twice (at the same speed as double-clicking a mouse button) then hold finger to the touchpad on the second tap and drag the cursor
Access context menu		Click once		
Scroll			Click and hold the button in the desired direction (up/down/left/right)	



Note: Keep your fingers dry and clean when using the touchpad. Also keep the touchpad dry and clean. The touchpad is sensitive to finger movements. Hence, the lighter the touch, the better the response. Tapping harder will not increase the touchpad's responsiveness.

Storage

This computer supplies you with the following media storage:

- High-capacity Enhanced-IDE hard disk
- AcerMedia drive

Hard disk

The high-capacity hard disk is the answer to your storage needs. This is where your programs and data are stored.

AcerMedia drive

The AcerMedia bay accepts a wide variety of optional media drive modules for use with your computer. These optional items include:

- CD-ROM drive
- DVD-ROM drive
- DVD/CD-RW drive
- Second hard disk drive
- Floppy disk drive

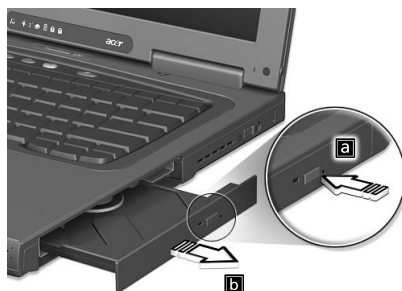


.....

Note: To swap AcerMedia drive modules, see "Swapping AcerMedia drive modules" on page 52

Ejecting the optical (CD or DVD) drive tray

To eject the optical drive tray when the computer is turned on, press the drive eject button.



When the power is off, you can eject the drive tray using the emergency eject hole. See page 60.

Using software

Playing DVD movies

When the DVD-ROM drive module is installed in the AcerMedia bay, you can play DVD movies on your computer.

- 1 Eject the DVD tray and insert a DVD movie disc; then close the DVD tray.



Important! When you launch the DVD player for the first time, the program asks you to input the region code. DVD discs are divided into 6 regions. Once your DVD drive is set to a region code, it will play DVD discs of that region only. You can set the region code a maximum of five times (including the first time), after which the last region code set will remain permanent. Recovering your hard disk does not reset the number of times the region code has been set. Refer to the table below for DVD movie region code information.

- The DVD movie will automatically play after a few seconds.

Region code	Country or region
1	U.S.A., Canada
2	Europe, Middle East, South Africa, Japan
3	Southeast Asia, Taiwan, Korea (South)
4	Latin America, Australia, New Zealand
5	Former U.S.S.R., parts of Africa, India
6	People's Republic of China

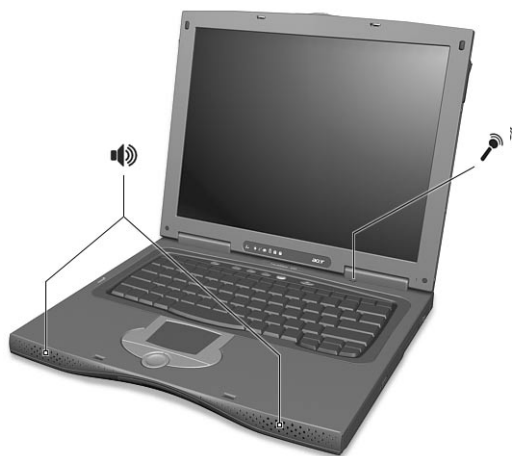


.....

Note: To change the region code, insert a DVD movie of a different region into the DVD-ROM drive. Please refer to the online help for more information.

Audio

The computer comes with 16-bit high-fidelity AC'97 stereo audio, and includes a built-in sensitive microphone and dual stereo speakers.



There are audio ports on the rear of the computer. See “Rear view” on page 6 for more information on connecting external audio devices.

Adjusting the volume

Adjusting the volume on the computer is as easy as pressing some buttons. See “Hot keys” on page 16 for more information on adjusting the speaker volume.

Power management

This computer has a built-in power management unit that monitors system activity. System activity refers to any activity involving one or more of the following devices: keyboard, mouse, floppy drive, hard disk, peripherals connected to the serial and parallel ports, and video memory. If no activity is detected for a period of time (called an inactivity timeout), the computer stops some or all of these devices in order to conserve energy.

This computer employs a power management scheme that supports ACPI (Advanced Configuration and Power Interface), which allows for maximum power conservation and maximum performance at the same time. Windows handles all power-saving chores for your computer.

Refer to your online guide for more information.

Moving around with your TravelMate

This section gives you tips and hints to consider when moving around or traveling with your computer.

Disconnecting from the desktop

Follow these steps to disconnect your computer from external accessories:

- 1 Save your work in progress.
- 2 Remove any media, diskette or compact disc, from the drive(s).
- 3 Shut down the computer.
- 4 Close the display cover.
- 5 Disconnect the cord from the AC adapter.
- 6 Disconnect the keyboard, pointing device, printer, external monitor, and other external devices.
- 7 Disconnect the Kensington lock if you are using one to secure the computer.

Moving around

“when you are just moving within short distances, for example, from your office desk to a meeting room”

Preparing the computer

Before moving the computer, close and latch the display cover to place it in Sleep mode. You can now safely take the computer anywhere you go within the building. To bring the computer out of Sleep mode, open the display.

If you are taking the computer to a client's office or a different building, you may choose to shut down the computer:

- 1 Click on **Start, Shut Down...** or **Turn off Computer** (Windows XP).
- 2 Select Shut down and click on **OK**, or select **Turn Off** (Windows XP).

- or -

you can put the computer in Sleep mode by pressing **Fn-F4**. Then close and latch the display.

When you are ready to use the computer again, unlatch and open the display, and press any key. If the power indicator is off, the computer has entered Hibernation mode and turned off. Slide and release the power switch to turn the computer back on. Note that the computer may enter Hibernation mode after a period of time it is in Sleep mode. Turn the power on to wake up the computer from Hibernation mode.

What to bring to short meetings

A fully charged battery runs the computer for about 4 hours under most circumstances. If your meeting is shorter than that, you probably do not need to bring anything with you other than the computer.

What to bring to long meetings

If your meeting will last longer than 4 hours or if your battery is not fully charged, you may want to bring the AC adapter with you to plug in your computer in the meeting room.

If the meeting room does not have an electrical outlet, reduce the drain on the battery by putting the computer in Sleep mode. Press **Fn-F4** or close the display cover whenever you are not actively using the computer. Then tap any key or open the display to resume.

Taking the computer home

“when you are moving from your office to your home or vice versa”

Preparing the computer

After disconnecting the computer from your desktop, follow these steps to prepare the computer for the trip home:

- Check if you have removed all media, diskettes and compact discs, from the drive(s). Failure to remove the media can damage the drive head.
- Pack the computer in a protective case that can prevent the computer from sliding around and cushion it if it should fall.



.....

Caution: Avoid packing items next to the top cover of the computer. Pressure against the top cover can damage the screen

What to bring with you

Unless you already have some items at home, bring the following items with you:

- AC adapter and power cord
- The printed user's guide
- AcerMedia drive module(s)

Special considerations

Follow these guidelines to protect your computer while traveling to and from work:

- Minimize the effect of temperature changes by keeping the computer with you.
- If you need to stop for an extended period of time and cannot bring the computer with you, leave the computer in the trunk of the car to avoid exposing the computer to excessive heat.
- Changes in temperature and humidity can cause condensation. Allow the computer to return to room temperature, and inspect the screen for condensation before turning on the computer. If the temperature change is greater than 18°F (10°C), allow the computer to come to room temperature slowly. If possible, leave the computer for 30 minutes in an environment with a temperature between outside and room temperature.

Setting up a home office

If you frequently work on your computer at home, you may want to purchase a second AC adapter for use at home. With a second AC adapter, you can avoid transporting the extra weight to and from home.

If you use your computer at home for significant periods of time, you might also want to add an external keyboard, monitor, or mouse.

Traveling with the computer

“when you are moving within a larger distance, for instance, from your office building to a client’s office building or traveling locally”

Preparing the computer

Prepare the computer as if you were taking it home. Make sure that the battery in the computer is charged. Airport security may require you to turn on your computer when bringing it into the gate area.

What to bring with you

Bring the following items with you:

- AC adapter
- Spare, fully-charged battery pack(s)
- AcerMedia drive module(s)
- Additional printer driver files if you plan to use another printer

Special considerations

In addition to the guidelines for taking the computer home, follow these guidelines to protect your computer while traveling:

- Always take the computer as carry-on luggage.
- If possible, have the computer inspected by hand. Airport security X-ray machines are safe, but do not put the computer through a metal detector.
- Avoid exposing floppy disks to hand-held metal detectors.

Traveling internationally with the computer

“when you are moving from country to country”

Preparing the computer

Prepare the computer as you would normally prepare it for traveling.

What to bring with you

Bring the following items with you:

- AC adapter
- Power cords that are appropriate for the country to which you are traveling
- Spare, fully-charged battery packs
- AcerMedia drive module(s)
- Additional printer driver files if you plan to use another printer
- Proof of purchase, in case you need to show it to customs officials
- International Traveler's Warranty passport

Special considerations

Follow the same special considerations as when traveling with the computer. In addition, these tips are useful when traveling internationally:

- When traveling in another country, check that the local AC voltage and the AC adapter power cord specifications are compatible. If not, purchase a power cord that is compatible with the local AC voltage. Do not use converter kits sold for appliances to power the computer.
- If you are using the modem, check if the modem and connector is compatible with the telecommunications system of the country you are traveling in.

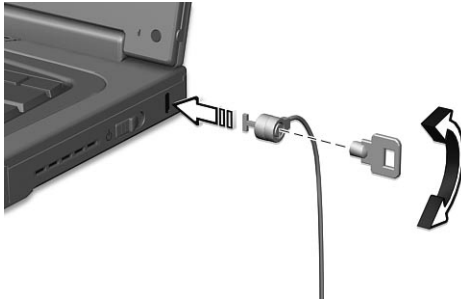
Securing your computer

Your computer is a valuable investment that you need to take care of. Learn how to protect and take care of your computer.

Security features include hardware and software locks — a security notch, Smart Card and passwords.

Using a computer security lock

A security keylock notch located on the left panel of the computer lets you connect a Kensington-compatible computer security lock.



Wrap a computer security lock cable around an immovable object such as a table or locked drawer handle. Insert the lock into the notch and turn the key to secure the lock. Some keyless models are also available.

Using the Smart Card

This software includes the following components: PlatinumPAS™, PlatinumSecure™ and PlatinumKey™. Together, they provide you with multiple levels of security.

- PlatinumPAS implements the first security measure at the BIOS level and runs during the BIOS routine check when a computer is powered up or rebooting. If no Smart Card or Emergency Card is detected, the computer will stop booting up to prevent any illegal access to the system.
- PlatinumSecure enhances the secure logon procedure for your Windows at the operating system level. It provides user authentication through its encryption/decryption function using

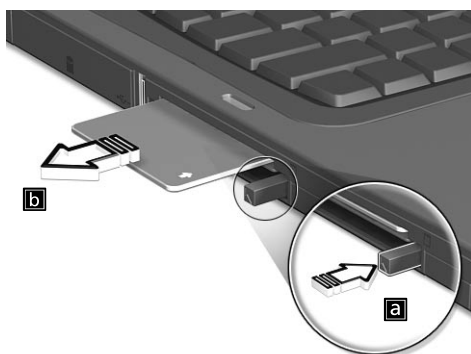
the Smart Card. If your Smart Card is unavailable, you can use the Emergency Card as a temporary replacement card.

- PlatinumKey auto-authenticate and auto cache with one-click logons to all password-required websites (patent pending), eliminates the overhead costs associated with memorizing and typing user IDs and passwords when surfing the Internet with Microsoft or Netscape web browsers.

A slot for your Smart Card is located on the left panel of the computer. This new security feature helps you boot up your computer with all your settings built right into your Smart Card. You don't have to remember your password to access your computer.



To remove the Smart Card press the Smart Card eject button (a) and remove the Smart Card (b) as shown in the illustration below.



For more details consult your Smart Card documentation.

Registering your Smart Card



Important! Your Acer notebook is equipped with a Smart Card security feature that protects the computer from unauthorized access. If you enable this feature, please make sure that your warranty card is completed and sent back to Acer. This information will be used by Acer service centers to confirm ownership in case your Smart Card "key" is lost or damaged. Registering your notebook with Acer's service center is extremely important when replacing your lost Smart Card "key".

If you have already bypassed the Smart Card registration, please reinstall the application as follows:

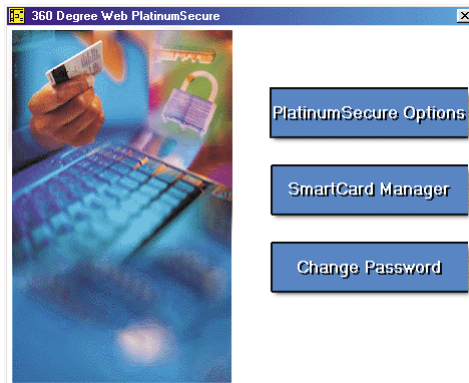
- 1 Insert your **System CD** and reinstall from it.
- 2 Follow the onscreen instructions.

To enable the Smart Card security feature, please refer to your Smart Card user manual.

Running PlatinumSecure

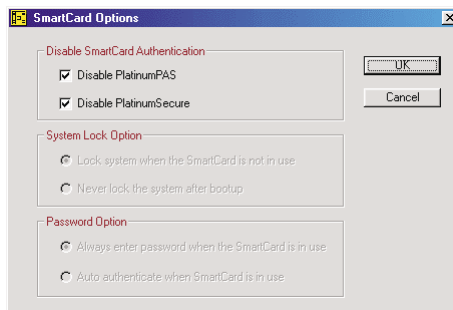
PlatinumSecure enhances the secure logon procedure for Windows Me, 2000 or XP at the operating system level. It provides user authentication with an encryption/decryption function using the Smart Card. If your Smart Card is unavailable, the Emergency Card can serve as a temporary replacement for the Smart Card. After installation, the PlatinumSecure icon appears on the Windows desktop. Double-click on it or click the right mouse button, then select **Open** from the pop-up menu (or launch it from the PlatinumSecret program group). From the

menu that appears, you can directly access three operations: PlatinumSecure Options, Smart Card Manager, and Change Password.



PlatinumSecure Options

Click on the **PlatinumSecure Options** button to open the Smart Card Options window. It provides great flexibility to meet the various privacy protection needs of many different users.



- Disable Smart Card Authentication

When **Disable PlatinumPAS** is selected, the PlatinumPAS Preboot Authentication System will be disabled.

When **Disable PlatinumSecure** is selected, the PlatinumSecure Windows Logon Authentication with the Smart Card will be disabled, which means that the protection of your PC as well as other options under **System Lock Option** and **Password Option**

will be disabled, too. The Smart Card password is required for this selection.

- System Lock Option

When **Lock system when the Smart Card is not in use** (default) is selected, if the Smart Card is removed, the PlatinumSecure screensaver comes up and access to the system is locked. When **Never lock the system after bootup** is selected, there is no protection for the PC after boot up, and Password Option is disabled.

- Password Option

When **Always enter password when the Smart Card is in use** (default) is selected, the password is required whenever you need to regain access to the system while the Smart Card is inserted.

When **Auto authenticate when Smart Card is in use** is selected, no password is required. All you need to do is insert the Smart Card.

Smart Card Manager

The Multiple user support is implemented and managed in Smart Card Manager. Please note that five users can be registered on one PC. If you registered as the Primary User, **ONLY** you can add/remove other users. If you registered as a regular user, other registered users could add/remove you. All registered users will be able to use the View Smart Card users option.

Change Password

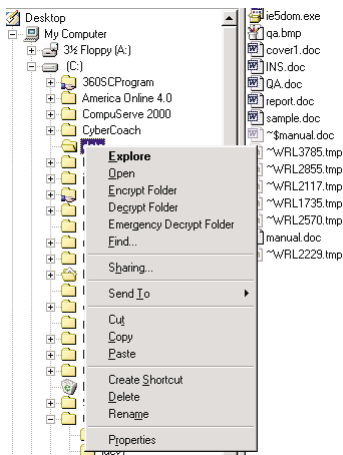
Click the **Change Password** button, fill in the three fields in the Change Password dialog box, and then close the dialog box by clicking the **OK** button to change the Smart Card password.

Encrypt/Decrypt

PlatinumSecure can also be used to encrypt/decrypt files except for system files or files that are already encrypted with other applications. Double-click on a file to automatically encrypt/decrypt it. However, if the file is associated with an application, it will be opened with that application instead of being encrypted. Note that the encryption is not recursive, i.e., when you encrypt a folder, only the files immediately under that folder are encrypted. Other files under subfolders are not.

To find the Encrypt/Decrypt commands:

- Right-click on the Start menu,
- Right-click on a folder or icon on your Windows desktop, or
- In Windows Explorer, right-click on a selected folder, file, or group of files.



Running PlatinumKey

PlatinumKey provides one-click logon to all password-required websites. With its unique Smart Card caching technology, you can greatly extend the limited card memory size to unlimited use by storing your private data in an encrypted file either on the Smart Card, or on the 360 Degree Web secure website server.

Information in PlatinumKey like the one in My Info and Credit Cards, can be transferred to other applications using the "drag-and-drop" method: simply point the cursor to the field containing the information, press and hold the left mouse button, then drag the cursor to the application and drop the information there.

PlatinumKey also makes it convenient to change your password. There is always a PWD button available, which is equivalent to the Change Password button in PlatinumSecure.

Follow these steps to use PlatinumKey:

- 1 Open your browser to connect to the Internet.

- 2 Double-click on the PlatinumKey icon on your Windows desktop.
- 3 Enter your Smart Card password and click **OK**.
- 4 If PlatinumKey is being used for the very first time, it will ask "Would you like to link to 360 Degree Web secure website server to backup the information on your Smart Card?" The default answer is Yes, and it will enable you to store your information (excluding the Credit Cards) on the 360 Degree Web secure website server for backup purposes in case the card is lost/stolen. If you choose No, you will only be able to save My Info, Credit Cards and 5 Websites on your Smart Card.
- 5 Log in to a website where you are already registered.
- 6 PlatinumKey automatically stores your login data and asks for your confirmation to automatically log you in the next time you access the site. Click **Yes** and continue browsing.
- 7 To close PlatinumKey when you are finished browsing, right-click on the PlatinumKey icon on your Windows taskbar and select Close PlatinumKey.

PlatinumKey provides a list of all the logon pages that you have stored. To go directly to any site on the list either double-click it or select it and click the Go button. Also, you can click the View button to view the selected website information including Web Name, User Name, Password, and Web URL. Similarly, type the first letter(s) of a site on the list, and the site will be searched and selected.

You can Edit and Delete the sites as well as other information, and Save or Cancel the changes you made, by selecting the button corresponding to each command.

Using passwords

Passwords protect your computer from unauthorized access. Setting these passwords creates several different levels of protection for your computer and data:

- Setup Password prevents unauthorized entry to the BIOS Utility. Once set, you must key-in this password to gain access to the BIOS Utility. See "BIOS Utility" on page 55 and your online guide for more details.
- Power-on Password secures your computer against unauthorized use. Combine the use of this password with password checkpoints on boot-up and resume from hibernation for maximum security.

- Hard Disk Password protects your data by preventing unauthorized access to your hard disk. Even if the hard disk is removed from the computer and moved to another computer, it cannot be accessed without the Hard Disk Password.




Important! Do not forget your Setup and Hard Disk Password! If you forget your password, please get in touch with your dealer or an authorized service center.

- Other passwords include Windows and screensaver passwords.

Entering passwords

When a password is set, a password prompt appears in the left-hand corner of the display screen.

- When the Setup Password is set, the following prompt appears when you press **F2** to enter the BIOS Utility at boot-up.

Setup Password


Type the Setup Password and press **Enter** to access the BIOS Utility.

- When the Power-on Password is set, the following prompt appears at boot-up.



Type the Power-on Password (a . symbol appears for each character you type) and press **Enter** to use the computer. If you enter the password incorrectly, an **x** symbol appears. Try again and press **Enter**.

- When the Hard Disk Password is set, the following prompt appears at boot-up.



Type the Hard Disk Password (a . symbol appears for each character you type) and press **Enter** to use the computer. If you enter the password incorrectly, an **x** symbol appears. Try again and press **Enter**.



Important! You have three chances to enter a password. If you successfully entered the password, you are presented with a correct entry symbol. If you fail to enter the password correctly after three tries, the following message or symbol appears.

Setup

Incorrect password specified. System disabled.

Power-on/Hard Disk



Slide and hold the power switch for four seconds to shut down the computer. Then turn on the computer again, and try again. If you fail to enter the Hard Disk Password, please contact your dealer or an authorized service center.

Setting passwords

You can set passwords using:

- Notebook Manager
- BIOS Utility

See your online guide for more details.

2 Customizing my computer

After learning the basics of your TravelMate computer, let's get acquainted with the advanced features of your computer. In this chapter, you will learn how to add options, upgrade components for better performance, and customize your computer.

key link: accessories.acer.com

Expanding through options

Your TravelMate offers you a complete mobile computing experience.

Connectivity options

Ports allow you to connect peripheral devices to your computer as you would with a desktop PC. For instructions on how to connect different external devices to the computer, see your online guide for more details.

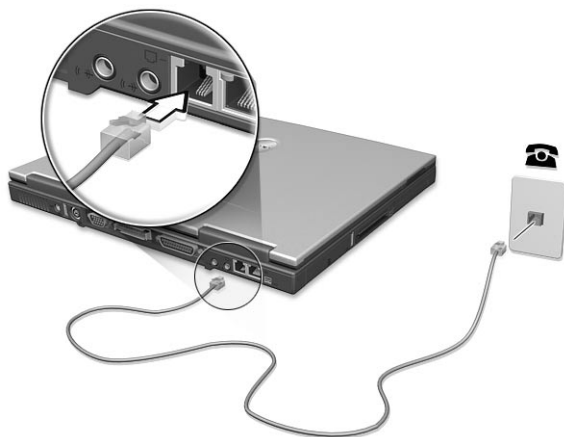
Fax/data modem

Your computer have a built-in V.90 56Kbps AC'97 Link fax/data modem.



.....
Warning! This modem port is not compatible with digital phone lines. Plugging this modem into a digital phone line will damage the modem.

To use the fax/data modem port, connect a phone cable from the modem port to a telephone jack.

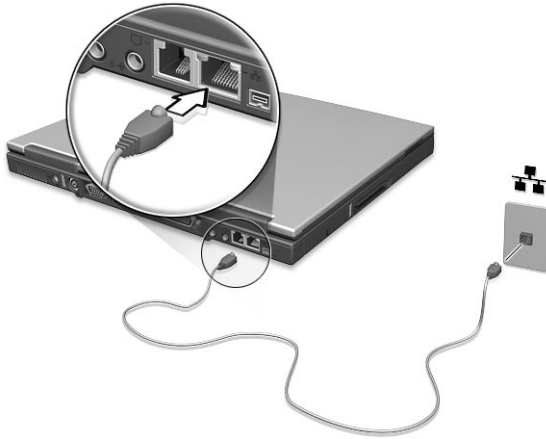


Start your communications software program. See your communications manual for instructions.

Built-in network feature

The built-in network feature allows you to connect your computer to an Ethernet-based (10/100 Mbps) network.

To use the network feature, connect an Ethernet cable from the network jack on the rear of the computer to a network jack or hub on your network.



Fast infrared

The computer's fast infrared (FIR) port allows you to do wireless data transfer with other IR-aware computers and peripherals such as PDAs (personal digital assistants), mobile phones, and infrared printers. The infrared port can transfer data at speeds of up to four megabits per second (Mbps) at a distance of up to one meter.



Universal Serial Bus

The Universal Serial Bus (USB) port is a high-speed serial bus which allows you to connect and daisy-chain USB peripherals without taking up precious system resources. Your computer has two ports available.



IEEE 1394 port

The computer's IEEE 1394 port allows you to connect to an IEEE 1394 supported devices like a video camera or digital camera.



See your video or digital camera's documentation for details.

PC Card slot

The type II CardBus PC Card slot found on the left side of the computer accepts credit-card-sized cards that enhance the usability and expandability of the computer. These cards should have a PC Card logo on them.

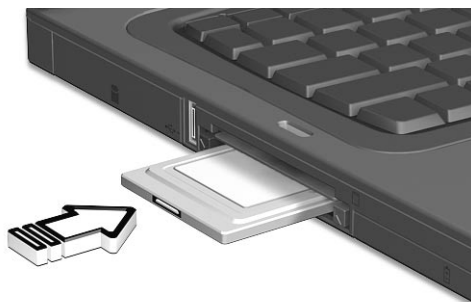
PC Cards (formerly PCMCIA) are add-on cards for portable computers, giving you expansion possibilities long afforded by desktop PCs. Popular type III cards include flash memory, SRAM, fax/data modem, LAN and SCSI cards. CardBus improves on the 16-bit PC card technology by expanding the bandwidth to 32 bits.



.....
Note: Refer to your card's manual for details on how to install and use the card and its functions.

Inserting a PC Card

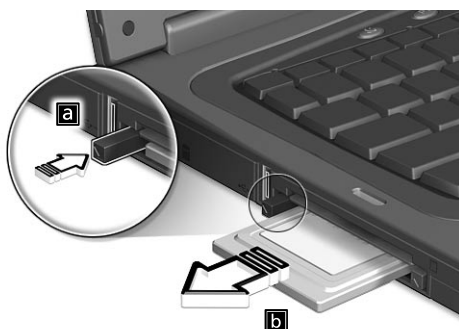
Insert the card into the lower slot and make the proper connections (e.g., network cable), if necessary. See your card manual for details.



Ejecting a PC Card

Before ejecting a PC Card:

- 1 Exit the application using the card.
- 2 Left-click on the PC Card icon on the taskbar and stop the card operation.
- 3 Press the slot eject button to pop out the eject button (a); then press it again to eject the card (b).



Port expansion devices

Two types of expansion devices are available for your computer:

- I/O replicator - adds serial port and parallel port connections to your computer.
- EasyPort - adds a host of ports for your computer, and allows you to connect and disconnect peripherals from your computer in one quick step.

See your dealer for more information.

Upgrade options

Your computer delivers superior power and performance. However, some users and the applications they use may demand more. This computer allows you to upgrade key components when you need increased performance.



Note: Contact your authorized dealer if you decide to perform a key component upgrade.

Memory upgrade

Memory is expandable to 1 GB, employing 128/256/512-MB industry standard soDIMMs (Small Outline Dual Inline Memory Modules). The computer supports SDRAM (Synchronous Dynamic Random Access Memory).

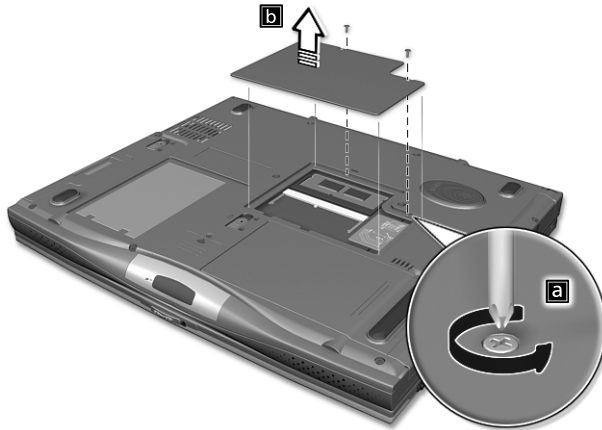
There are two memory slots on your computer, one of which is occupied by standard memory. You can upgrade memory by installing a memory module into the available slot, or replacing the standard memory with a higher-capacity memory module.

Installing memory

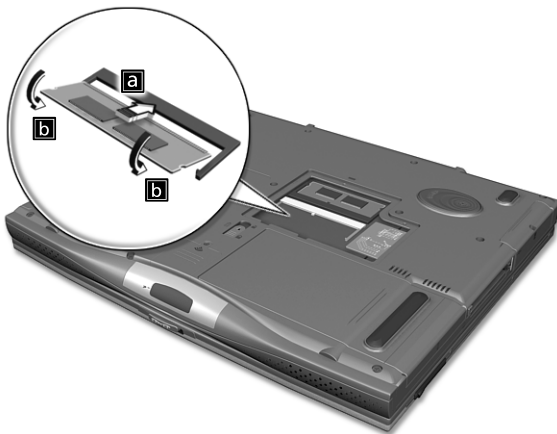
Follow these steps to install memory:

- 1 Turn off the computer, unplug the AC adapter (if connected) and remove the battery pack. Then turn the computer over to access its base.

- 2 Remove the screws from the memory cover (a); then lift up and remove the memory cover (b).



- 3 Insert the memory module diagonally into the slot (a), then gently press it down (b) until it clicks into place.



- 4 Replace the memory cover and secure it with the screw.
- 5 Reinstall the battery pack, and reconnect the AC adapter.
- 6 Turn on the computer.

The computer automatically detects and reconfigures the total memory size.

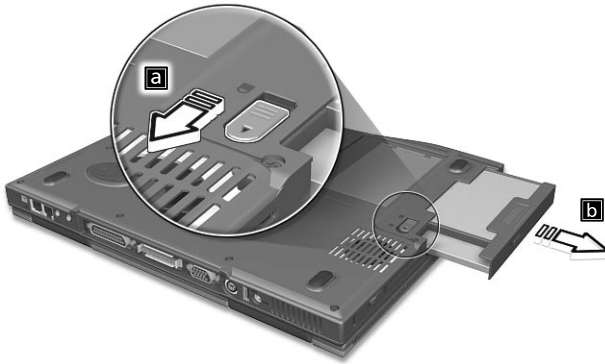
Swapping AcerMedia drive modules



.....

Note: The floppy and the hard disk drive modules are not hot-swappable. You have to turn off your computer before you can swap the modules.

You can swap the AcerMedia drive with any optional AcerMedia modules. First slide the AcerMedia release latch as shown in the illustration (a). Then remove the optical drive from the AcerMedia bay (b).



Then insert the optional AcerMedia module into the AcerMedia bay until it click into place.

