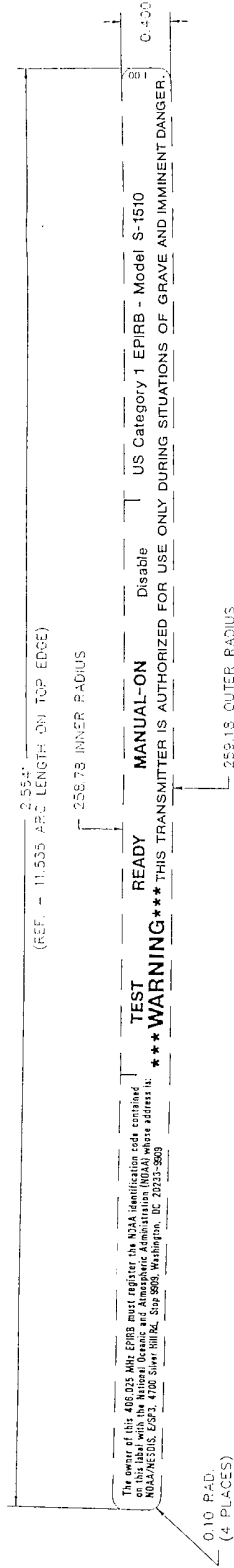


**PRELIMINARY**



The name of this 400 MHz EPIRB must register the NOAA Identification code contained on this label with the National Oceanic and Atmospheric Administration (NOAA), whose address is: NOAA/NESDIS/E/82, 4120 Silver Hill Rd., Suit 8008, Washington, DC 20519-2800

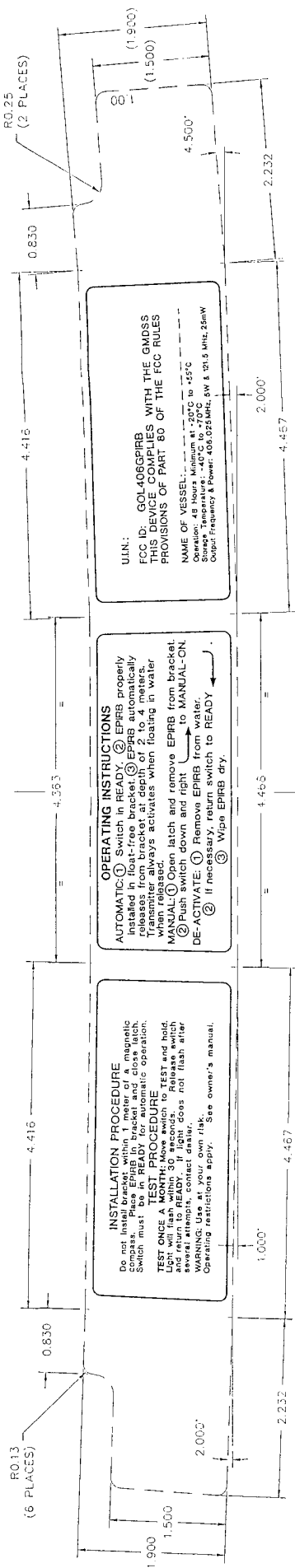
**TEST READY** MANUAL-ON Disable US Category 1 EPIRB - Model S-1510

**\*\*\* WARNING \*\*\* THIS TRANSMITTER IS AUTHORIZED FOR USE ONLY DURING SITUATIONS OF GRAVE AND IMMINENT DANGER.**

- NOTES:**
1. MATERIAL: 0.002" CLEAR POLYESTER
  2. PRINT USING THE FOLLOWING COLORS:  
TEXT - BLACK  
BACKGROUND - YELLOW; EQUIVALENT TO COLOUR SAMPLE REFERENCE CHIP, NAT P/N 56-99-008. THE INK USED SHOULD BE UV STABILIZED TO PREVENT FADING.
  3. PRINT A WHITE, OPAQUE LAYER UNDERNEATH THE YELLOW BACKGROUND.
  4. LAMINATE OVER TEXT WITH 0.001" CLEAR POLYESTER AFTER PRINTING.
  5. ADHESIVE: SELF-ADHESIVE 3M PRODUCT 467 (SERIES 200 ADHESIVE) OR EQUIVALENT ON BOTH LABEL AND PROTECTIVE LAMINATE.
  6. LABEL SHOULD BE CUT TO THE OUTLINE SHOWN BY THE DASHED LINE. THE DASHED LINE SHOULD NOT APPEAR ON THE FINISHED LABEL.
  7. THIS LABEL IS TO BE USED IN A MARINE ENVIRONMENT.

**Confidential and Proprietary to NAT**

TOLERANCES UNLESS STATED OTHERWISE		DESIGNED		WS		nat		NORTHEN AIRBORNE TECHNOLOGY LTD.	
0.X = +/- 0.030	0.XX = +/- 0.010	DRAWN	DATE	TGM/MWS	MAY 11/98	TITLE		S1510 ACTIVATION LABEL	
0.XXX = +/- 0.005	0.XXXX = +/- 0.002	CHECKED		NAT		SIZE	CAGE CODE	PART NO.	REV.
ANGLE = +/- 0.5 DEG		APPROVED		219		B	3AB01	43-40-022	1.00
MATERIAL	SEE NOTES	FILE		900-0100.DWG		DWG. TYPE		ORTHOGRAPHIC	
FINISH	SEE NOTES	FILE		900-0100.DWG		DWG. NO.		434002Z	
		FILE		900-0100.DWG		DWG. NO.		434002Z	
		FILE		900-0100.DWG		DWG. NO.		434002Z	



**NOTES:**

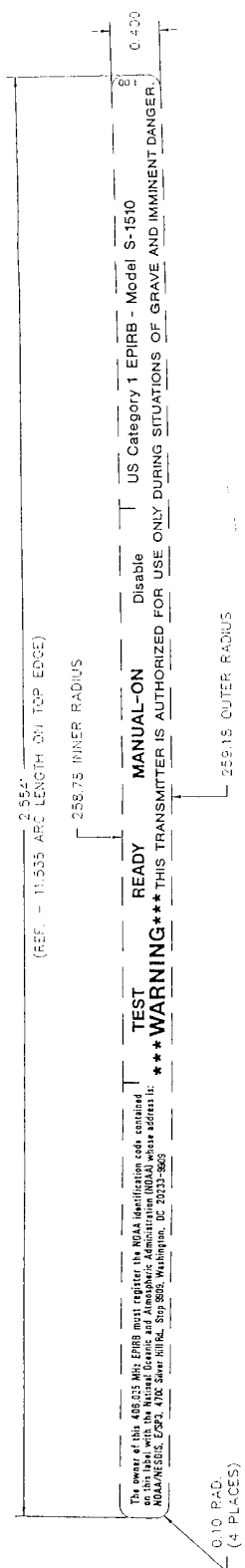
1. MATERIAL: 0.005" CLEAR POLYESTER.
2. PRINT USING THE FOLLOWING COLORS:  
TEXT: BLACK  
BACKGROUND: YELLOW; EQUIVALENT TO COLOUR SAMPLE REFERENCE CHIP: NAT P/N 55-99-008; THE INK USED SHOULD BE UV STABILIZED TO PREVENT FADING.
3. PRINT A WHITE OPAQUE LAYER UNDERNEATH THE YELLOW BACKGROUND.
4. ALL PRINTING SHOULD BE PROTECTED BY THE FACESTOCK MATERIAL OR AN ADDITIONAL 0.001" CLEAR POLYESTER LAMINATE.
5. ADHESIVE: SELF-ADHESIVE 3M PRODUCT 467 (SERIES 200 ADHESIVE) OR EQUIVALENT ON BOTH LABEL AND PROTECTIVE LAMINATE.
6. LABEL SHOULD BE CUT TO THE OUTLINE SHOWN BY THE DASHED LINE. THE DASHED LINE SHOULD NOT APPEAR ON THE FINISHED LABEL.
7. THIS LABEL IS TO BE USED IN A MARINE ENVIRONMENT.

**PRELIMINARY**

PROPRIETARY AND CONFIDENTIAL TO NAT LTD.

DESIGNED DRAWN		WS TCM
DATE		MAY 26/98
CHECKED		NAT
APPROVED		219
FILE	900-0100.DWG	DWG TYPE
SIZE	B	CAGE CODE
PART NO.	43-40-021	REV.
SHEET		1/1
DRAWING NO.		4340021/900-0
*nat NORTHERN AIRBORNE TECHNOLOGY LTD. S1510 MAIN LABEL		

PRELIMINARY



The owner of this 406MHz EPIRB must register the NOAA identification code contained on this label with the National Oceanic and Atmospheric Administration (NOAA) whose address is: NOAA-NES-02, E-92, 1205 Silver Spring Road, Silver Spring, MD 20910-9809

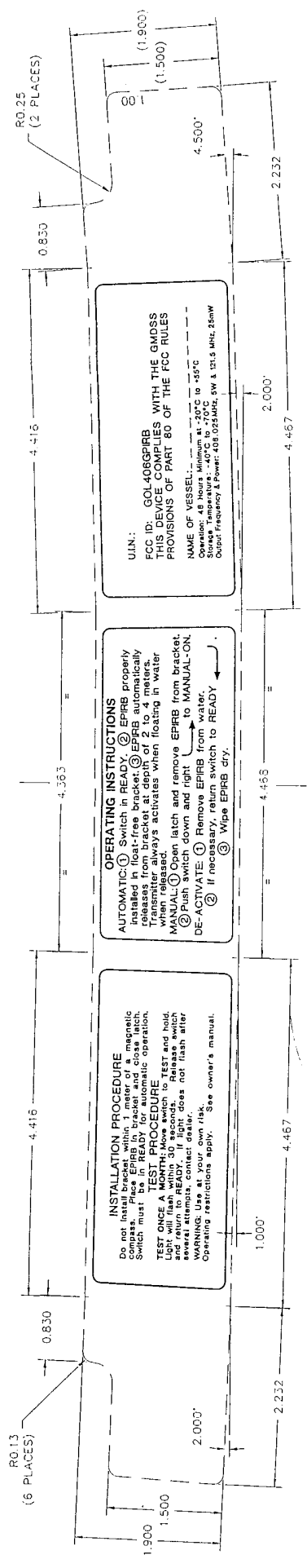
NOTES:

1. MATERIAL: 0.002" CLEAR POLYESTER.
2. PRINT USING THE FOLLOWING COLORS:  
TEXT: BLACK  
BACKGROUND: YELLOW; EQUIVALENT TO COLOR SAMPLE REFERENCE CHIP, NAT P/N 56-99-008. THE INK USED SHOULD BE UV STABILIZED TO PREVENT FADING.
3. PRINT A WHITE OPAQUE LAYER UNDERNEATH THE YELLOW BACKGROUND.
4. LAMINATE OVER TEXT WITH 0.001" CLEAR POLYESTER AFTER PRINTING.
5. ADHESIVE: SELF-ADHESIVE 3M PRODUCT 467 (SERIES 200, ADHESIVE) OR EQUIVALENT ON BOTH LABEL AND PROTECTIVE LAMINATE.
6. LABEL SHOULD BE CUT TO THE OUTLINE SHOWN BY THE DASHED LINE. THE DASHED LINE SHOULD NOT APPEAR ON THE FINISHED LABEL.
7. THIS LABEL IS TO BE USED IN A MARINE ENVIRONMENT.

GOL406GPIRB  
EXHIBIT #7

Confidential and Proprietary to NAT

TOLERANCES UNLESS STATED OTHERWISE		DESIGNED	WS	nat		NORTHERN AIRBORNE TECHNOLOGY LTD.	
0.X = +/- 0.030	0.XX = +/- 0.010	DRAWN	TGM/AMS	TITLE		S1510 ACTIVATION LABEL	
0.XXX = +/- 0.005	0.XXXX = +/- 0.002	DATE	MAY 11/98	SIZE	CAGE CODE	PART NO.	REV.
ANGLE = +/- 0.5 DEG		CHECKED	NAT	B	3AB01	43-40-022	1.00
MATERIAL:	SEE NOTES	APPROVED	219	DWG. FILE		SHEET	
FINISH	SEE NOTES			900-0100.DWG		1/1	
				ORTHOGRAPHIC		4340022\900-0	



GOL406GPIRB  
EXHIBIT #8

# PRELIMINARY

PROPRIETARY AND CONFIDENTIAL TO NAT LTD.			
<b>nat</b> NORTHERN AIRBORNE TECHNOLOGY LTD.		WS	
DESIGNED	TGM	DRAWN	
DATE	MAY 26/98	CHECKED	NAT
TITLE			
S1510 MAIN LABEL		SIZE	CAGE CODE
B	3AB01	PART NO.	43-40-021
REV.	SHEET	DWG. NO.	43-0021/900-0
1/1	1/1		

- NOTES.**
- MATERIAL: 0.005" CLEAR POLYESTER.
  - PRINT USING THE FOLLOWING COLORS:  
TEXT: BLACK  
BACKGROUND: YELLOW; EQUIVALENT TO COLOUR SAMPLE REFERENCE CHIP, NAT P/11 58-99-003. THE INK USED SHOULD BE UV STABILIZED TO PREVENT FAING.
  - PRINT A WHITE, OPAQUE LAYER UNDERNEATH THE YELLOW BACKGROUND.
  - ALL PRINTING SHOULD BE PROTECTED BY THE FACESTOCK MATERIAL OR AN ADDITIONAL 0.001" CLEAR POLYESTER LAMINATE.
  - ADHESIVE: SELF-ADHESIVE 3M PRODUCT 487 (SERIES 200 ADHESIVE) OR EQUIVALENT ON BOTH LABEL AND PROTECTIVE LAMINATE.
  - LABEL SHOULD BE CUT TO THE OUTLINE SHOWN BY THE DASHED LINE. THE DASHED LINE SHOULD NOT APPEAR ON THE FINISHED LABEL.
  - THIS LABEL IS TO BE USED IN A MARINE ENVIRONMENT.

DIMENSIONS UNLESS STATED OTHERWISE		DIMENSIONS IN INCHES	
0.XX +/- 0.030	0.XXX +/- 0.010	0.XXXX +/- 0.005	0.XXXXX +/- 0.002
ANGLE +/- 0.5 DEG.			
MATERIAL		SEE NOTES	
FINISH		SEE NOTES	
APPROVED	FILE	900-0100.DWG	DWG. TYPE
		ORTHOGRAHIC	

REPLACE RELEASE MECHANISM BY:  
**NAT Part No. RSA-001A**  
 Made in Canada

3.90  
 NOTE 5

0.625  
 R0.10  
 (4 PLACES)

NOTES:

1. MATERIAL: 0.002" CLEAR POLYESTER.
2. PRINT BLACK CHARACTERS ON A WHITE BACKGROUND.
3. LAMINATE OVER TEXT WITH 0.001" CLEAR POLYESTER AFTER PRINTING.
4. ADHESIVE: SELF ADHESIVE 3M TYPE AG7 (200 SERIES) OR EQUIVALENT OR BOTH LABEL AND PROTECTIVE LAMINATE.
5. TRIM LABEL TO OUTLINE SHOWN BY DASHED LINE. DASHED LINE IS NOT TO APPEAR ON FINISHED LABEL. DIMENSIONS SHOWN ARE FOR REFERENCE ONLY.

**PRELIMINARY**

**Confidential and Proprietary to NAT**

TOLERANCES UNLESS STATED OTHERWISE		DIMENSIONS IN INCHES		DESIGNED BY	BT
0.XX±	+/-0.030	<del>FINISH SYMBOL</del>		DRAWN	TAT
0.XXX±	+/-0.010			DATE	JUN 19/98
0.XXXX±	+/-0.005			CHECKED	NAT
0.XXXXX±	+/-0.002			APPROVED	NAT 2210
ASSEMBLY	+/-0.5 DEG.	DRAWING NO.		900-0100.DWG	
MATERIAL		SEE NOTES		REV. REV. PART NO. PART REV. KEY SHEET	
SEE NOTES		SEE NOTES		A 3AB01 43-40-206 1.00 1/1	
TITLES		"REPLACE RELEASE MECHANISM" LABEL			
DRAWN		ORTHOGRAPHIC			
DATE		PART NO. 4340206			
PROJECT		900-0			

REV	DESCRIPTION	DATE	BY
1.10	CHANGED "ELECTRONICS" TO "MARINE", FORMAT CHANGES	JUN 19/96	TGM
1.20	ECR #1202 - CHANGED "ALDEN MARINE" TO "NORTHERN AIRBORNE TECHNOLOGY".	JUNE 22/98	TGM

REVISIONS

UNCONTROLLED DOCUMENT  
FOR REFERENCE ONLY

NOTES:

1. MATERIAL: 0.002" CLEAR POLYESTER.
2. PRINT BLACK CHARACTER ON A WHITE BACKGROUND.
3. LAMINATE OVER TEXT WITH 0.001" CLEAR POLYESTER AFTER PRINTING.
4. ADHESIVE: SELF ADHESIVE 3M TYPE 467 (200 SERIES) OR EQUIVALENT ON BOTH LABEL AND PROTECTIVE LAMINATE.
5. TRIM LABEL TO OUTLINE SHOWN BY DASHED LINE. DASHED LINE IS NOT TO APPEAR ON FINISHED LABEL. DIMENSIONS SHOWN ARE FOR REFERENCE ONLY.

NORTHERN AIRBORNE TECHNOLOGY

Float-Free Mounting Bracket

SEE OTHER SIDE FOR RELEASE MECHANISM REPLACEMENT DATE

3.90

0.625

R0.10  
(4 PLACES)

PRELIMINARY

Confidential and Proprietary to NAT

TOLERANCES UNLESS STATED OTHERWISE		DIMENSIONS IN INCHES	
0.XX+/-0.030			DESIGNED
0.XX+/-0.010			DRAWN
0.XXX+/-0.005			DATE
0.XXXX+/-0.002			CHECKED
ANGLE+/-0.5 DEG			
MATERIAL	SEE NOTES		APPROVED
DATE	900-0120.DWG		
SIZE	CAGE CODE	PART NO.	REV
A	3AB01	43-40-001	1.20
TITLE			SHEET
"FLOAT-FREE MOUNTING BRACKET"			1/1
DRAWN			DWG. NO.
ORTHOGRAPHIC			4340001\900-0

\*nat NORTHERN AIRBORNE TECHNOLOGY LTD.

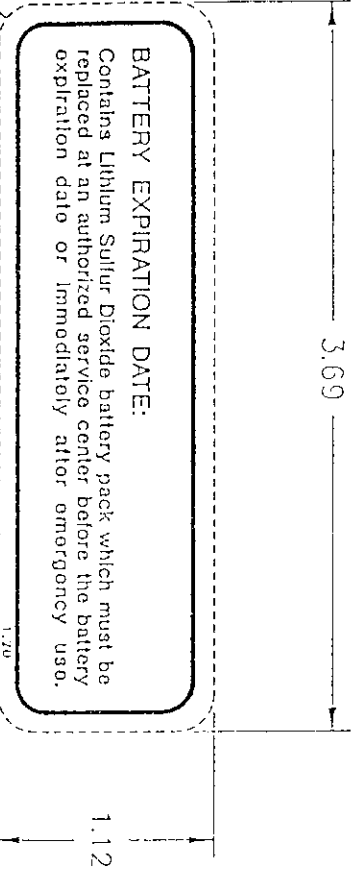
REV	DESCRIPTION	DATE	BY
1.10	DIMENSIONS CHANGED	AUG 10/93	LMO
1.11	DIMENSIONS CHANGED TO TWO DECIMAL PLACES.		LMO
1.12	FORMAT CHANGES ONLY	NOV 26/96	TGM
1.20	ECR #664 REMOVED TRANSPORTATION Req. No.	JAN 27/97	MWS

UNCONTROLLED DOCUMENT  
FOR REFERENCE ONLY

NOTES:

1. MATERIAL: 0.002" CLEAR POLYESTER
2. PRINT USING THE FOLLOWING COLORS:  
TEXT: BLACK  
BACKGROUND: YELLOW; EQUIVALENT TO MARROBLEND COLOR NO. 5174.
3. LAMINATE OVER TEXT WITH 0.001" CLEAR POLYESTER AFTER PRINTING.
4. ADHESIVE: SELF-ADHESIVE 3M PRODUCT 467 (SERIES 200 ADHESIVE) OR EQUIVALENT ON BOTH LABEL AND PROTECTIVE LAMINATE.
5. DIMENSIONS SHOWN ARE FOR REFERENCE ONLY. LABEL SHOULD BE CUT TO THE OUTLINE SHOWN BY THE DASHED LINE. THE DASHED LINE SHOULD NOT APPEAR ON THE FINISHED LABEL.

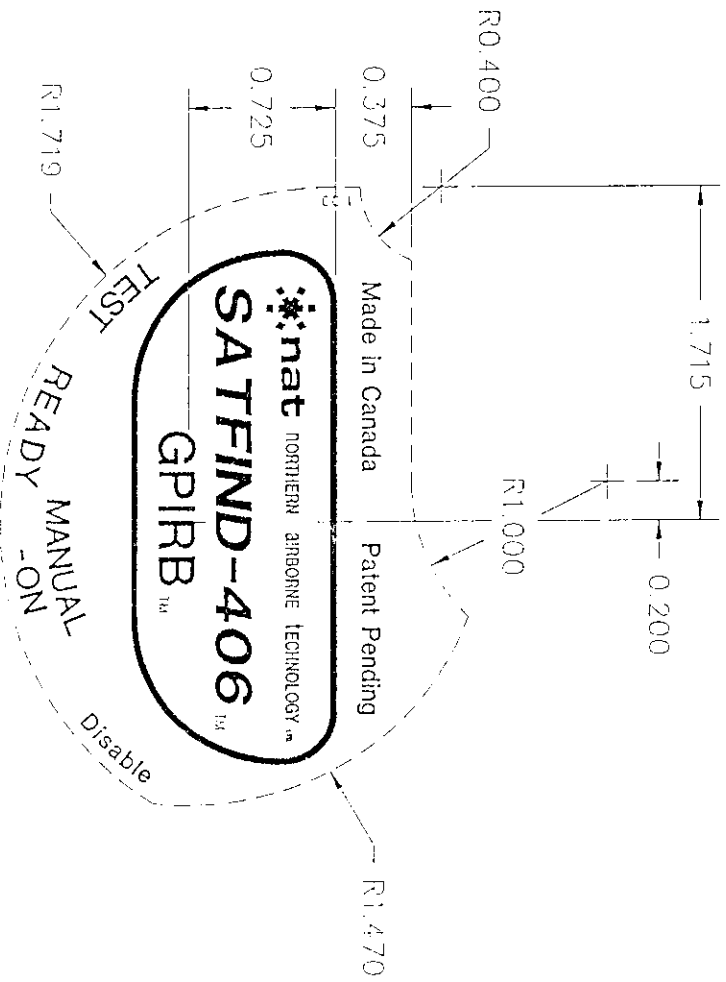
0.187 RAD (TYPICAL)



UNCONTROLLED DOCUMENT  
FOR REFERENCE ONLY

TOLERANCES UNLESS STATED OTHERWISE	DIMENSIONS IN INCHES	DESIGNED DRAWN	BT LMO	TITLE	SIZE	CAGE CODE	PART NO.	REV.	SHEET
0.XX=+/-0.030				"BATTERY EXPIRATION DATE" LABEL	A	3AB01	43-40-015	1.20	1/1
0.XX=+/-0.010		DATE	MAR 3/93						
0.XXX=+/-0.005		CHECKED	NAT PROD						
0.XXXX=+/-0.002			112						
ANGLE=+/-0.5 DEG.									
MATERIAL		APPROVED	NAT 107						
SEE NOTES									
HEIGHT		FILE	500-0120.DWG						
SEE NOTES		DWG. TYPE	ORTHOGRAPHIC						
		DWG. NO.	4340015\900-0						

Confidential and Proprietary to NAT


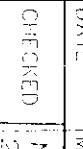
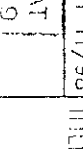


PRELIMINARY

NOTES:

1. MATERIAL: 0.002" CLEAR POLYESTER.
2. PRINT USING THE FOLLOWING COLORS:  
TEXT: BLACK  
BACKGROUND: YELLOW; EQUIVALENT TO COLOUR SAMPLE REFERENCE CHIP, MAT P/N 56-99-002. THE INK USED SHOULD BE UV STABILIZED TO PREVENT FADING.
3. PRINT A WHITE, OPAQUE LAYER UNDERNEATH THE YELLOW BACKGROUND.
4. LAMINATE OVER TEXT WITH 0.001" CLEAR POLYESTER AFTER PRINTING.
5. ADHESIVE: SELF-ADHESIVE 3M PRODUCT 467 (SERIES 260 ADHESIVE) OR EQUIVALENT ON BOTH LABEL AND PROTECTIVE LAMINATE.
6. LABEL SHOULD BE CUT TO THE OUTLINE SHOWN BY THE DASHED LINE. THE DASHED LINE SHOULD NOT APPEAR ON THE FINISHED LABEL.
7. THIS LABEL IS TO BE USED IN A MARINE ENVIRONMENT.

Confidential and Proprietary to NAT

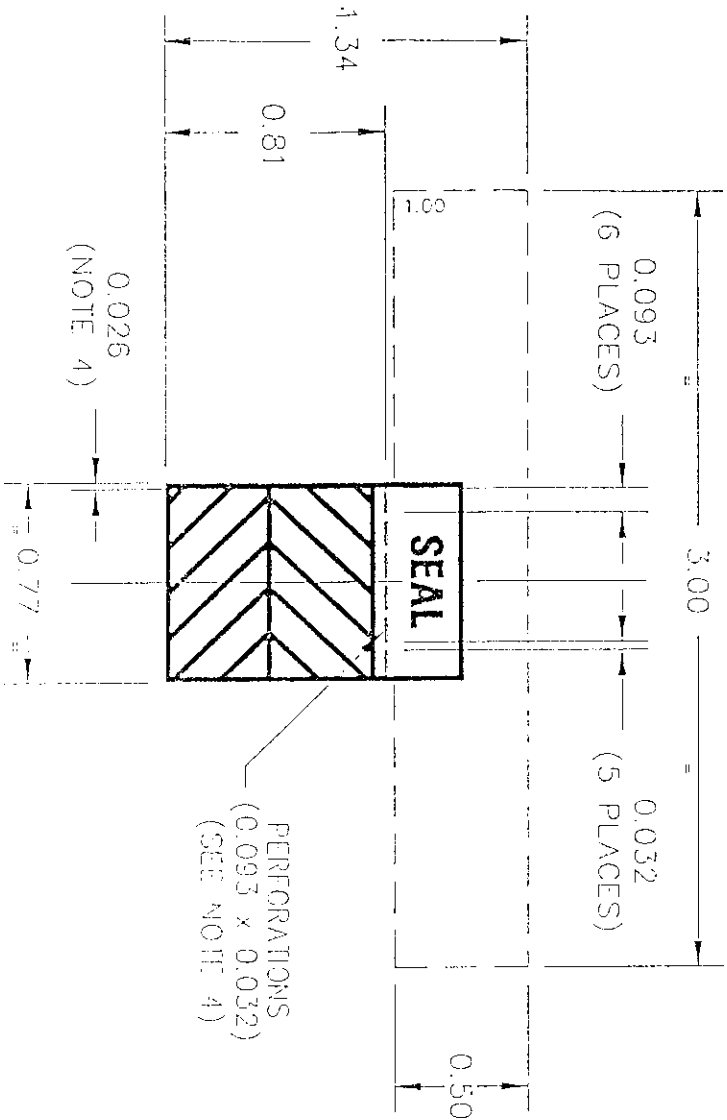
TOLERANCES UNLESS SPECIFIED OTHERWISE		DIMENSIONS IN INCHES		DESIGNED DRAWN		WS TGM/MWS		DATE		CHECKED		MAY 11/98		MAY 11/98	
0.X=+/-0.030		0.XX=+/-0.010		0.XXX=+/-0.005		0.XXXX=+/-0.002		ANGLES +/- 0.5 DEG							
HATCHING		SEE NOTES		APPROVED											
PROJECT		SEE NOTES		900-0100.DWG											
TITLE		S1510		A		3AB01		43-40-023		REV		1.00		SHEET 1/1	
DRAWN		ORTHOGRAPHIC		DWG NO		4340023\900-0									

nat northern airborne technology LTD.

TOP LABEL



UNCONTROLLED DOCUMENT  
FOR REFERENCE ONLY



NOTES:

1. MATERIAL: 0.002" CLEAR POLYESTER, FACESTOCK.
2. ALL PRINTING MUST BE PROTECTED BY THE FACESTOCK. PRINT USING THE FOLLOWING COLOURS:  
TEXT: BLACK  
BACKGROUND: YELLOW. EQUIVALENT TO COLOUR SAMPLE REFERENCE CHIP, NAT P/H 56-99-028. THE INK USED SHOULD BE UV STABILIZED TO PREVENT FADING.
3. PRINT A WHITE, OPAQUE LAYER UNDERNEATH THE YELLOW BACKGROUND.
4. PERFORATIONS MUST NOT BREAK THROUGH THE EDGE OF THE LABEL. TYPICAL PERFORATING RULE: ZIMMER PATTERN GUIDE: 8 300TH x 0.032.
5. ADHESIVE: SELF-ADHESIVE 2M PRODUCT 467 (GENIE'S 260 ADHESIVE) OR EQUIVALENT ON BOTH LABEL AND PROTECTIVE LAMINATE.
6. LABEL SHOULD BE CUT TO THE OUTLINE SHOWN BY THE DASHED LINE. THE DASHED LINE SHOULD NOT APPEAR ON THE FINISHED LABEL.
7. WITH IN SERVICE THIS PART MUST WITHSTAND A STORAGE TEMPERATURE OF -40° TO 165° C IN A MARINE ENVIRONMENT WITHOUT MATERIAL DEGRADATION.

PROPRIETARY AND CONFIDENTIAL TO NAT LTD.

TOLERANCES UNLESS STATED OTHERWISE		DIMENSIONS IN INCHES		DESIGNED BY		BT	
0.X=±/-0.020	0.XX=±/-0.010	0.XXX=±/-0.005	0.XXXX=±/-0.002	DATE	MAY 29/98	BT/TGM	
TYPICAL		TYPICAL		CHECKED	MAT	NAT	
SEE NOTES		SEE NOTES		APPROVED			
SEE NOTES		SEE NOTES		DWG NO: 900-0100.DWG		REV: 1	
TITLE		PART NO		DWG: 43-40-027		REV: 1	
SECURITY LABEL (PRESSURE SENSITIVE)		43-40-027		ORTHOGRAPHIC		4340027\900-0	
SCALE		1:1		DATE		1/1	