

System Check_Head_835MHz_120330

DUT: D835V2-SN:499

Communication System: CW; Frequency: 835 MHz; Duty Cycle: 1:1

Medium: HSL_850_120330 Medium parameters used: $f = 835 \text{ MHz}$; $\sigma = 0.885 \text{ mho/m}$; $\epsilon_r = 41.6$; $\rho = 1000 \text{ kg/m}^3$

Ambient Temperature : 22.7 °C ; Liquid Temperature : 21.7 °C

DASY4 Configuration:

- Probe: EX3DV4 - SN3792; ConvF(8.93, 8.93, 8.93); Calibrated: 2011/6/20
- Sensor-Surface: 4mm (Mechanical Surface Detection)
- Electronics: DAE3 Sn577; Calibrated: 2011/6/20
- Phantom: SAM-Left; Type: QD 000 P40 C; Serial: TP-1478
- Measurement SW: DASY4, V4.7 Build 80; Postprocessing SW: SEMCAD, V1.8 Build 186

Pin=250mW/Area Scan (61x61x1): Measurement grid: dx=15mm, dy=15mm

Maximum value of SAR (interpolated) = 2.65 mW/g

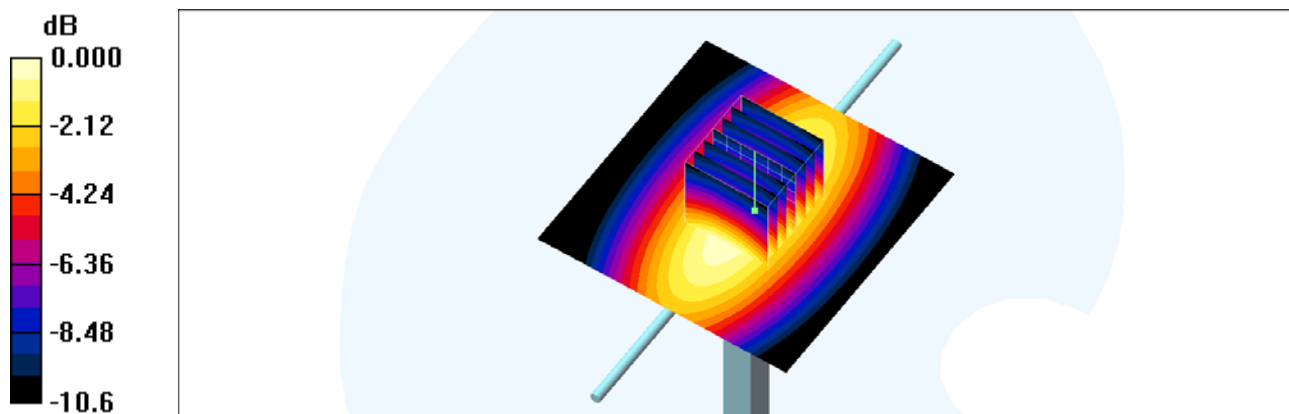
Pin=250mW/Zoom Scan (7x7x7)/Cube 0: Measurement grid: dx=5mm, dy=5mm, dz=5mm

Reference Value = 55.0 V/m; Power Drift = -0.112 dB

Peak SAR (extrapolated) = 3.76 W/kg

SAR(1 g) = 2.47 mW/g; SAR(10 g) = 1.61 mW/g

Maximum value of SAR (measured) = 2.67 mW/g



0 dB = 2.67mW/g

System Check_Body_835MHz_120331

DUT: Dipole 835 MHz

Communication System: CW; Frequency: 835 MHz; Duty Cycle: 1:1

Medium: MSL_850_120331 Medium parameters used: $f = 835 \text{ MHz}$; $\sigma = 0.998 \text{ mho/m}$; $\epsilon_r = 55.9$; $\rho = 1000 \text{ kg/m}^3$

Ambient Temperature : $22.6 \text{ }^\circ\text{C}$; Liquid Temperature : $21.6 \text{ }^\circ\text{C}$

DASY4 Configuration:

- Probe: EX3DV4 - SN3792; ConvF(9.02, 9.02, 9.02); Calibrated: 2011/6/20
- Sensor-Surface: 4mm (Mechanical Surface Detection)
- Electronics: DAE3 Sn577; Calibrated: 2011/6/20
- Phantom: SAM-Right; Type: QD 000 P40 C; Serial: TP-1383
- Measurement SW: DASY4, V4.7 Build 80; Postprocessing SW: SEMCAD, V1.8 Build 186

Pin=250mW/Area Scan (61x61x1): Measurement grid: $dx=15\text{mm}$, $dy=15\text{mm}$

Maximum value of SAR (interpolated) = 2.70 mW/g

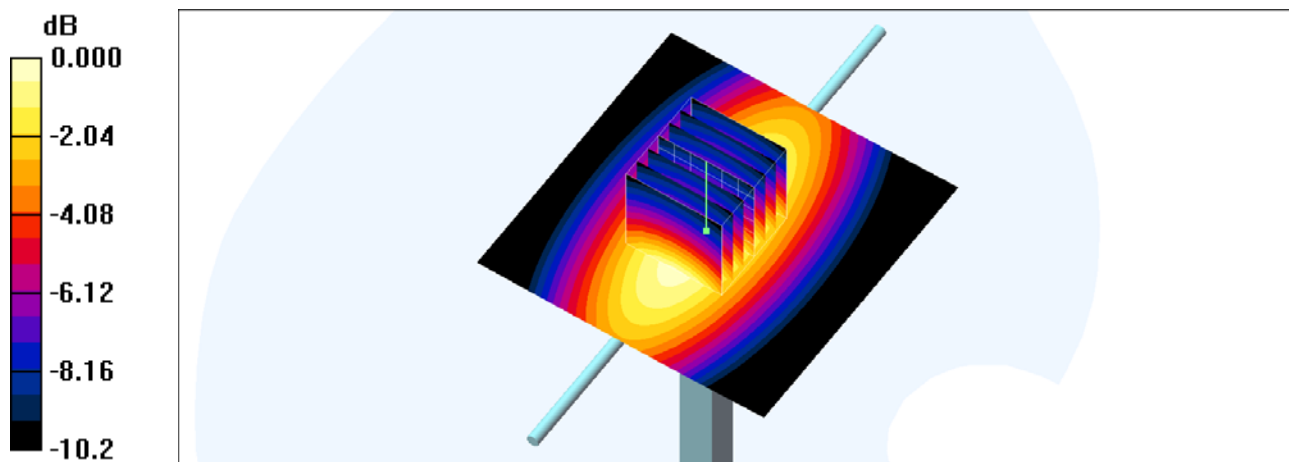
Pin=250mW/Zoom Scan (7x7x7)/Cube 0: Measurement grid: $dx=5\text{mm}$, $dy=5\text{mm}$, $dz=5\text{mm}$

Reference Value = 52.0 V/m ; Power Drift = 0.013 dB

Peak SAR (extrapolated) = 3.73 W/kg

SAR(1 g) = 2.5 mW/g ; SAR(10 g) = 1.64 mW/g

Maximum value of SAR (measured) = 2.71 mW/g



0 dB = 2.71mW/g

System Check_Head_1750MHz_120330

DUT: D1750V2-SN:1023

Communication System: CW; Frequency: 1750 MHz; Duty Cycle: 1:1

Medium: HSL_1750_120330 Medium parameters used: $f = 1750$ MHz; $\sigma = 1.4$ mho/m; $\epsilon_r = 39.1$; $\rho = 1000$ kg/m³

Ambient Temperature : 22.9 °C ; Liquid Temperature : 21.9 °C

DASY4 Configuration:

- Probe: EX3DV4 - SN3792; ConvF(8.06, 8.06, 8.06); Calibrated: 2011/6/20
- Sensor-Surface: 4mm (Mechanical Surface Detection)
- Electronics: DAE3 Sn577; Calibrated: 2011/6/20
- Phantom: SAM-Right; Type: QD 000 P40 C; Serial: TP-1383
- Measurement SW: DASY4, V4.7 Build 80; Postprocessing SW: SEMCAD, V1.8 Build 186

Pin=250mW/Area Scan (61x61x1): Measurement grid: dx=15mm, dy=15mm

Maximum value of SAR (interpolated) = 10.1 mW/g

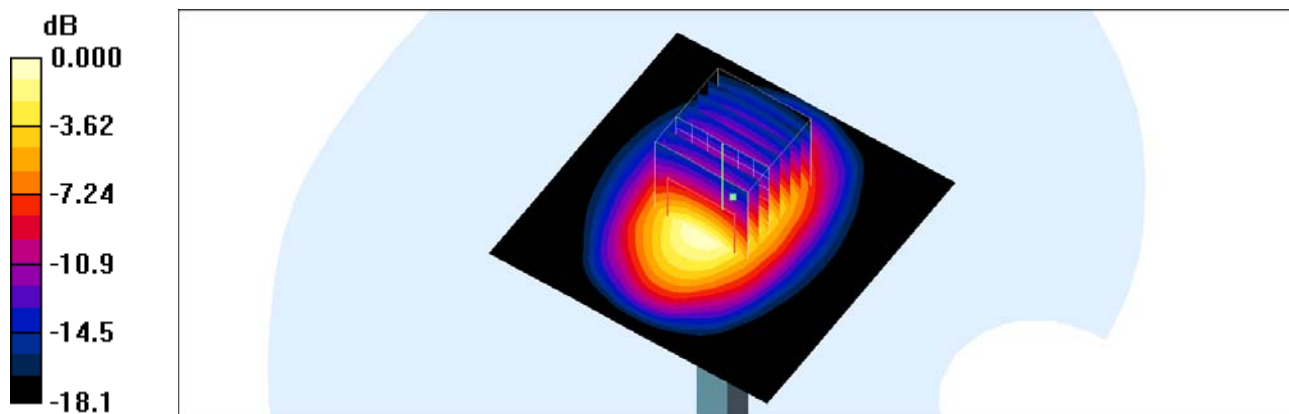
Pin=250mW/Zoom Scan (7x7x7)/Cube 0: Measurement grid: dx=5mm, dy=5mm, dz=5mm

Reference Value = 81.5 V/m; Power Drift = 0.004 dB

Peak SAR (extrapolated) = 16.2 W/kg

SAR(1 g) = 8.46 mW/g; SAR(10 g) = 4.44 mW/g

Maximum value of SAR (measured) = 9.48 mW/g



System Check_Body_1750MHz_120330

DUT: D1750V2-SN:1023

Communication System: CW; Frequency: 1750 MHz; Duty Cycle: 1:1

Medium: MSL_1750_120330 Medium parameters used: $f = 1750$ MHz; $\sigma = 1.5$ mho/m; $\epsilon_r = 53$; $\rho = 1000$ kg/m³

Ambient Temperature : 22.6 °C ; Liquid Temperature : 21.6 °C

DASY4 Configuration:

- Probe: EX3DV4 - SN3792; ConvF(7.62, 7.62, 7.62); Calibrated: 2011/6/20
- Sensor-Surface: 4mm (Mechanical Surface Detection)
- Electronics: DAE3 Sn577; Calibrated: 2011/6/20
- Phantom: SAM-Right; Type: QD 000 P40 C; Serial: TP-1383
- Measurement SW: DASY4, V4.7 Build 80; Postprocessing SW: SEMCAD, V1.8 Build 186

Pin=250mW/Area Scan (61x61x1): Measurement grid: dx=15mm, dy=15mm

Maximum value of SAR (interpolated) = 10.3 mW/g

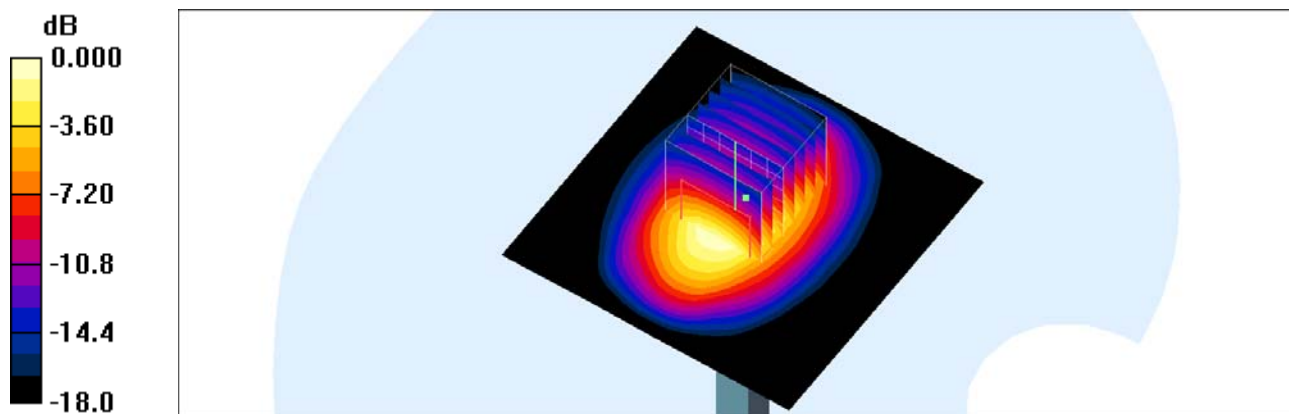
Pin=250mW/Zoom Scan (7x7x7)/Cube 0: Measurement grid: dx=5mm, dy=5mm, dz=5mm

Reference Value = 78.8 V/m; Power Drift = 0.012 dB

Peak SAR (extrapolated) = 16.2 W/kg

SAR(1 g) = 8.53 mW/g; SAR(10 g) = 4.48 mW/g

Maximum value of SAR (measured) = 9.51 mW/g



0 dB = 9.51mW/g

System Check_Head_1900MHz_120328

DUT: D1900V2-SN:5d041

Communication System: CW; Frequency: 1900 MHz; Duty Cycle: 1:1

Medium: HSL_1900_120328 Medium parameters used: $f = 1900$ MHz; $\sigma = 1.44$ mho/m; $\epsilon_r = 41.2$; $\rho = 1000$ kg/m³

Ambient Temperature : 22.6 °C; Liquid Temperature : 21.6 °C

DASY4 Configuration:

- Probe: EX3DV4 - SN3792; ConvF(7.76, 7.76, 7.76); Calibrated: 2011/6/20
- Sensor-Surface: 4mm (Mechanical Surface Detection)
- Electronics: DAE3 Sn495; Calibrated: 2011/4/28
- Phantom: SAM-Right; Type: QD 000 P40 C; Serial: TP-1383
- Measurement SW: DASY4, V4.7 Build 80; Postprocessing SW: SEMCAD, V1.8 Build 186

Pin=250mW/Area Scan (91x91x1): Measurement grid: dx=10mm, dy=10mm

Maximum value of SAR (interpolated) = 11.1 mW/g

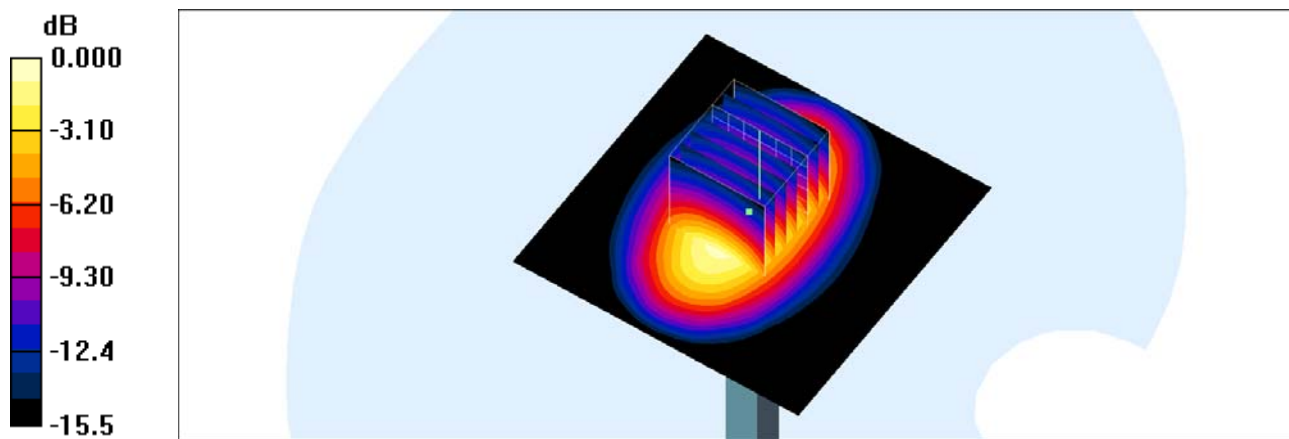
Pin=250mW/Zoom Scan (7x7x7)/Cube 0: Measurement grid: dx=5mm, dy=5mm, dz=5mm

Reference Value = 85.3 V/m; Power Drift = 0.071 dB

Peak SAR (extrapolated) = 18.4 W/kg

SAR(1 g) = 10 mW/g; SAR(10 g) = 5.55 mW/g

Maximum value of SAR (measured) = 11.0 mW/g



0 dB = 11.0mW/g

System Check_Body_1900MHz_120330

DUT: D1900V2-SN:5d041

Communication System: CW; Frequency: 1900 MHz; Duty Cycle: 1:1

Medium: MSL_1900_120330 Medium parameters used: $f = 1900$ MHz; $\sigma = 1.55$ mho/m; $\epsilon_r = 53.2$; $\rho = 1000$ kg/m³

Ambient Temperature : 22.6 °C ; Liquid Temperature : 21.6 °C

DASY4 Configuration:

- Probe: EX3DV4 - SN3792; ConvF(7.17, 7.17, 7.17); Calibrated: 2011/6/20
- Sensor-Surface: 4mm (Mechanical Surface Detection)
- Electronics: DAE3 Sn577; Calibrated: 2011/6/20
- Phantom: SAM-Right; Type: QD 000 P40 C; Serial: TP-1383
- Measurement SW: DASY4, V4.7 Build 80; Postprocessing SW: SEMCAD, V1.8 Build 186

Pin=250mW/Area Scan (91x91x1): Measurement grid: dx=10mm, dy=10mm

Maximum value of SAR (interpolated) = 11.8 mW/g

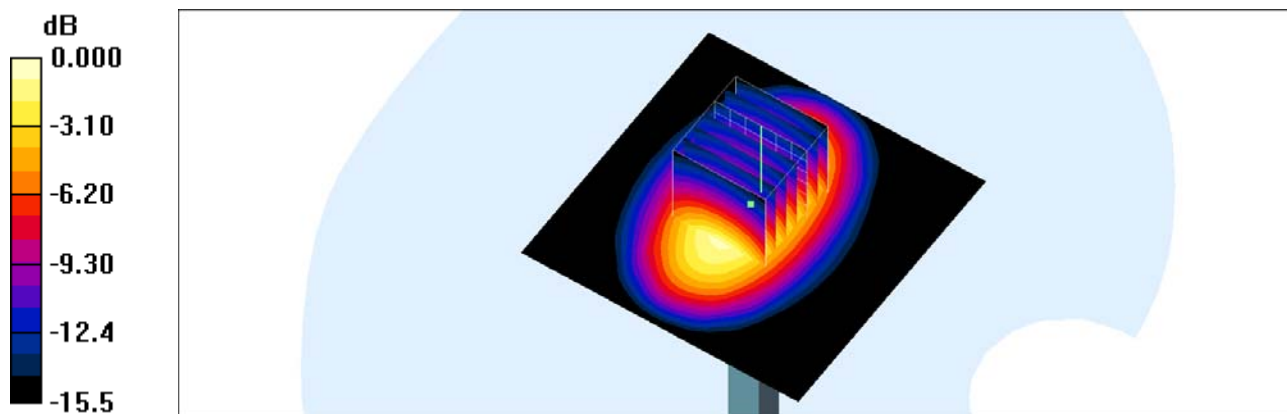
Pin=250mW/Zoom Scan (7x7x7)/Cube 0: Measurement grid: dx=5mm, dy=5mm, dz=5mm

Reference Value = 84.5 V/m; Power Drift = 0.149 dB

Peak SAR (extrapolated) = 19.6 W/kg

SAR(1 g) = 10.7 mW/g; SAR(10 g) = 5.9 mW/g

Maximum value of SAR (measured) = 11.8 mW/g



0 dB = 11.8mW/g

System Check_Head_2450MHz_110614

DUT: D2450V2-SN:735

Communication System: CW; Frequency: 2450 MHz;Duty Cycle: 1:1
Medium: HSL_2450_110614 Medium parameters used: $f = 2450$ MHz; $\sigma = 1.86$
mho/m; $\epsilon_r = 39.2$; $\rho = 1000$ kg/m³

Ambient Temperature : 22.4 °C; Liquid Temperature : 21.4°C

DASY4 Configuration:

- Probe: ET3DV6 - SN1787; ConvF(4.41, 4.41, 4.41); Calibrated: 2011/5/20
- Sensor-Surface: 4mm (Mechanical Surface Detection)
- Electronics: DAE3 Sn495; Calibrated: 2011/4/28
- Phantom: SAM_Right; Type: SAM; Serial: TP-1303
- Measurement SW: DASY4, V4.7 Build 80; Postprocessing SW: SEMCAD, V1.8 Build 186

Pin=100mW/Area Scan (91x91x1): Measurement grid: dx=10mm, dy=10mm
Maximum value of SAR (interpolated) = 5.74 mW/g

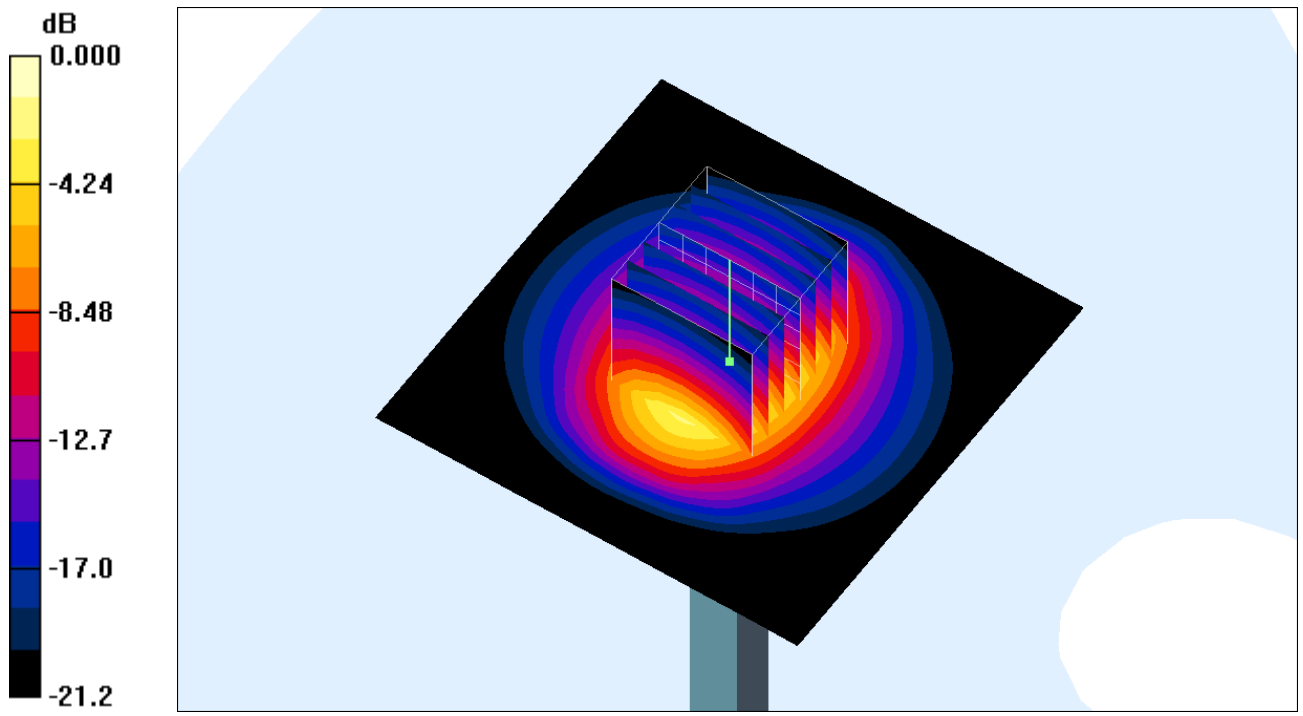
Pin=100mW/Zoom Scan (7x7x7)/Cube 0: Measurement grid: dx=5mm,
dy=5mm, dz=5mm

Reference Value = 57.5 V/m; Power Drift = -0.019 dB

Peak SAR (extrapolated) = 10.6 W/kg

SAR(1 g) = 4.99 mW/g; SAR(10 g) = 2.35 mW/g

Maximum value of SAR (measured) = 5.64 mW/g



0 dB = 5.64mW/g

System Check_Head_2450MHz_120331

DUT: D2450V2-SN:736

Communication System: CW; Frequency: 2450 MHz; Duty Cycle: 1:1

Medium: HSL_2450_120331 Medium parameters used: $f = 2450$ MHz; $\sigma = 1.83$ mho/m; $\epsilon_r = 39.5$; $\rho = 1000$ kg/m³

Ambient Temperature : 22.6 °C; Liquid Temperature : 21.6 °C

DASY4 Configuration:

- Probe: EX3DV4 - SN3792; ConvF(6.92, 6.92, 6.92); Calibrated: 2011/6/20
- Sensor-Surface: 4mm (Mechanical Surface Detection)
- Electronics: DAE3 Sn577; Calibrated: 2011/6/20
- Phantom: SAM-Right; Type: QD 000 P40 C; Serial: TP-1383
- Measurement SW: DASY4, V4.7 Build 80; Postprocessing SW: SEMCAD, V1.8 Build 186

Pin=100mW/Area Scan (91x91x1): Measurement grid: dx=10mm, dy=10mm

Maximum value of SAR (interpolated) = 6.11 mW/g

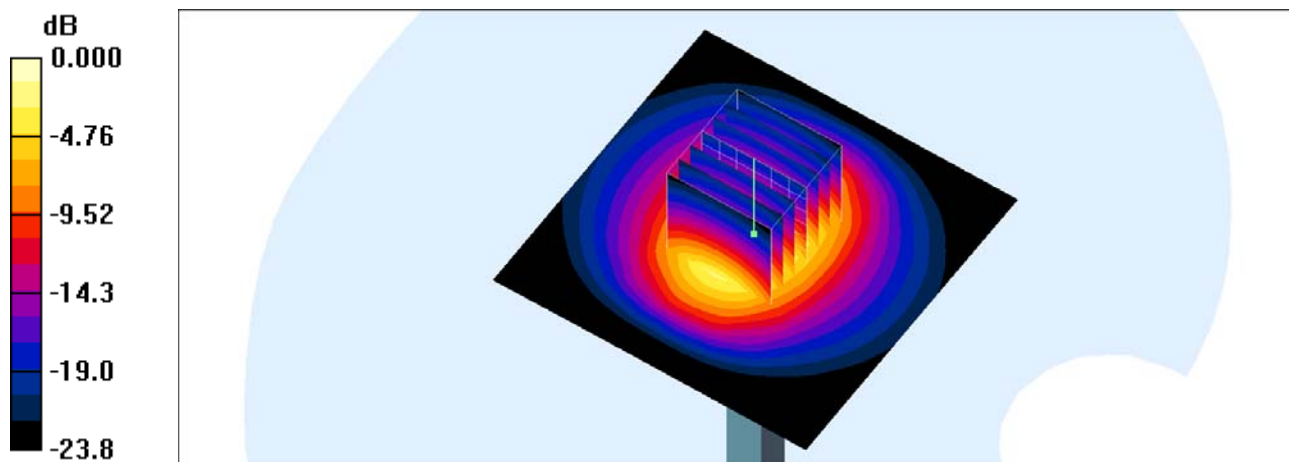
Pin=100mW/Zoom Scan (7x7x7)/Cube 0: Measurement grid: dx=5mm, dy=5mm, dz=5mm

Reference Value = 56.9 V/m; Power Drift = 0.027 dB

Peak SAR (extrapolated) = 12.0 W/kg

SAR(1 g) = 5.33 mW/g; SAR(10 g) = 2.4 mW/g

Maximum value of SAR (measured) = 6.02 mW/g



0 dB = 6.02mW/g

System Check_Body_2450MHz_110618

DUT: D2450V2-SN:735

Communication System: CW; Frequency: 2450 MHz; Duty Cycle: 1:1
Medium: MSL_2450_110618 Medium parameters used: $f = 2450$ MHz; $\sigma = 1.92$ mho/m; $\epsilon_r = 53.1$; $\rho = 1000$ kg/m³

Ambient Temperature : 22.6 °C; Liquid Temperature : 21.7 °C

DASY4 Configuration:

- Probe: EX3DV4 - SN3697; ConvF(7.02, 7.02, 7.02); Calibrated: 2010/11/23
- Sensor-Surface: 4mm (Mechanical Surface Detection)
- Electronics: DAE3 Sn495; Calibrated: 2011/4/28
- Phantom: SAM_Right; Type: SAM; Serial: TP-1303
- Measurement SW: DASY4, V4.7 Build 80; Postprocessing SW: SEMCAD, V1.8 Build 186

Pin=100mW/Area Scan (91x91x1): Measurement grid: dx=10mm, dy=10mm
Maximum value of SAR (interpolated) = 6.70 mW/g

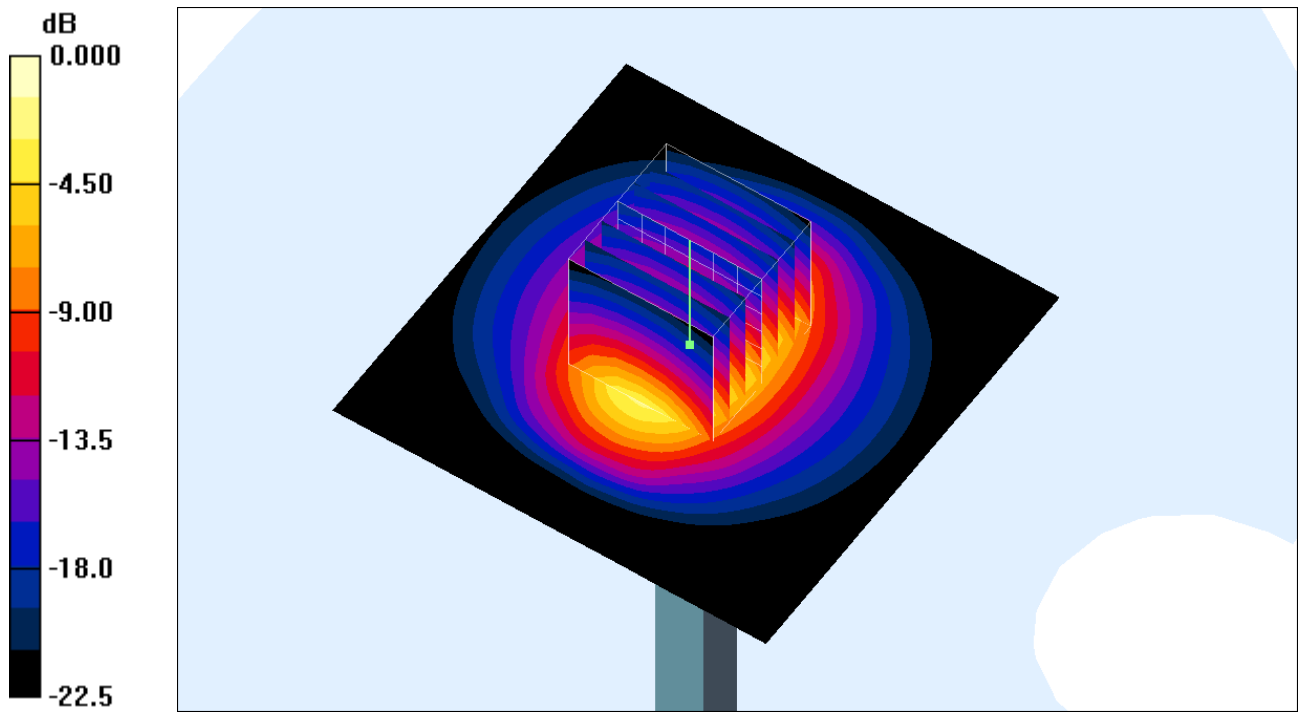
Pin=100mW/Zoom Scan (7x7x7)/Cube 0: Measurement grid: dx=5mm, dy=5mm, dz=5mm

Reference Value = 57.0 V/m; Power Drift = -0.137 dB

Peak SAR (extrapolated) = 11.8 W/kg

SAR(1 g) = 5.52 mW/g; SAR(10 g) = 2.5 mW/g

Maximum value of SAR (measured) = 6.32 mW/g



0 dB = 6.32mW/g

System Check_Body_2450MHz_120331

DUT: D2450V2-SN:736

Communication System: CW; Frequency: 2450 MHz; Duty Cycle: 1:1

Medium: MSL_2450_120331 Medium parameters used: $f = 2450 \text{ MHz}$; $\sigma = 1.97 \text{ mho/m}$; $\epsilon_r = 53.8$; $\rho = 1000 \text{ kg/m}^3$

Ambient Temperature : 22.6 °C ; Liquid Temperature : 21.6 °C

DASY4 Configuration:

- Probe: EX3DV4 - SN3792; ConvF(6.67, 6.67, 6.67); Calibrated: 2011/6/20
- Sensor-Surface: 4mm (Mechanical Surface Detection)
- Electronics: DAE3 Sn577; Calibrated: 2011/6/20
- Phantom: SAM-Right; Type: QD 000 P40 C; Serial: TP-1383
- Measurement SW: DASY4, V4.7 Build 80; Postprocessing SW: SEMCAD, V1.8 Build 186

Pin=100mW/Area Scan (91x91x1): Measurement grid: dx=10mm, dy=10mm

Maximum value of SAR (interpolated) = 5.51 mW/g

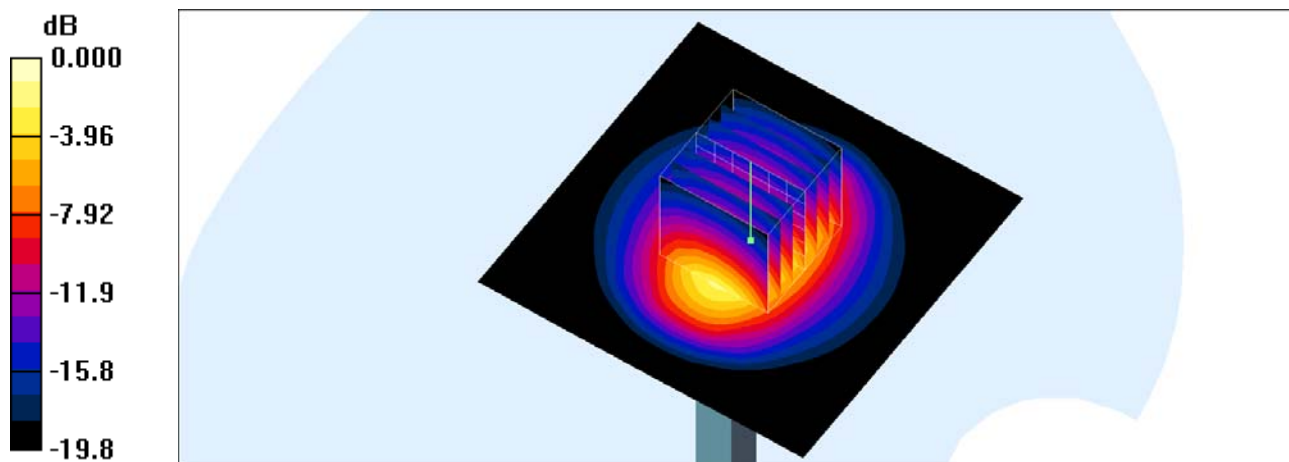
Pin=100mW/Zoom Scan (7x7x7)/Cube 0: Measurement grid: dx=5mm, dy=5mm, dz=5mm

Reference Value = 52.3 V/m; Power Drift = 0.137 dB

Peak SAR (extrapolated) = 9.81 W/kg

SAR(1 g) = 4.82 mW/g; SAR(10 g) = 2.29 mW/g

Maximum value of SAR (measured) = 5.49 mW/g



0 dB = 5.49mW/g

System Check_Head_5200MHz_110611

DUT: D5GHzV2-SN:1040

Communication System: CW; Frequency: 5200 MHz; Duty Cycle: 1:1
Medium: HSL5G_110611 Medium parameters used: $f = 5200$ MHz; $\sigma = 4.81$ mho/m; $\epsilon_r = 35.5$; $\rho = 1000$ kg/m³

Ambient Temperature : 22.3 °C; Liquid Temperature : 21.3 °C

DASY4 Configuration:

- Probe: EX3DV4 - SN3731; ConvF(4.83, 4.83, 4.83); Calibrated: 2010/9/20
- Sensor-Surface: 2mm (Mechanical Surface Detection)
- Electronics: DAE3 Sn495; Calibrated: 2011/4/28
- Phantom: SAM_Left; Type: SAM; Serial: TP-1150
- Measurement SW: DASY4, V4.7 Build 80; Postprocessing SW: SEMCAD, V1.8 Build 186

Pin=100mW/Area Scan (91x91x1): Measurement grid: dx=10mm, dy=10mm
Maximum value of SAR (interpolated) = 14.7 mW/g

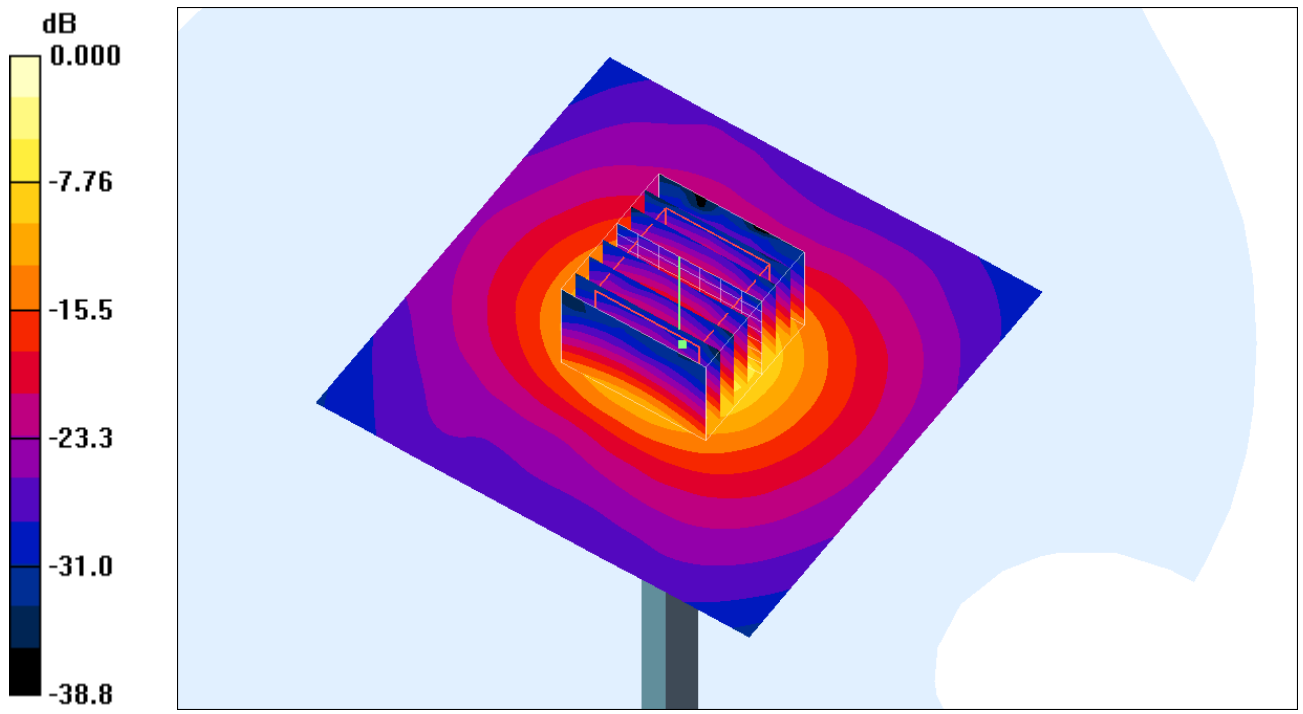
Pin=100mW/Zoom Scan (8x8x8)/Cube 0: Measurement grid: dx=4.3mm, dy=4.3mm, dz=3mm

Reference Value = 56.4 V/m; Power Drift = -0.007 dB

Peak SAR (extrapolated) = 31.3 W/kg

SAR(1 g) = 8.04 mW/g; SAR(10 g) = 2.3 mW/g

Maximum value of SAR (measured) = 13.5 mW/g



0 dB = 13.5mW/g

System Check_Body_5200MHz_110615

DUT: D5GHzV2-SN:1040

Communication System: 802.11a; Frequency: 5200 MHz; Duty Cycle: 1:1
Medium: MSL_5G_110615 Medium parameters used: $f = 5200$ MHz; $\sigma = 5.28$ mho/m; $\epsilon_r = 47.6$; $\rho = 1000$ kg/m³

Ambient Temperature : 22.6 °C; Liquid Temperature : 21.6 °C

DASY4 Configuration:

- Probe: EX3DV4 - SN3731; ConvF(3.87, 3.87, 3.87); Calibrated: 2010/9/20
- Sensor-Surface: 2mm (Mechanical Surface Detection)
- Electronics: DAE3 Sn495; Calibrated: 2011/4/28
- Phantom: SAM_Right; Type: SAM; Serial: TP-1303
- Measurement SW: DASY4, V4.7 Build 80; Postprocessing SW: SEMCAD, V1.8 Build 186

Pin=100mW/Area Scan (91x91x1): Measurement grid: dx=10mm, dy=10mm
Maximum value of SAR (interpolated) = 13.1 mW/g

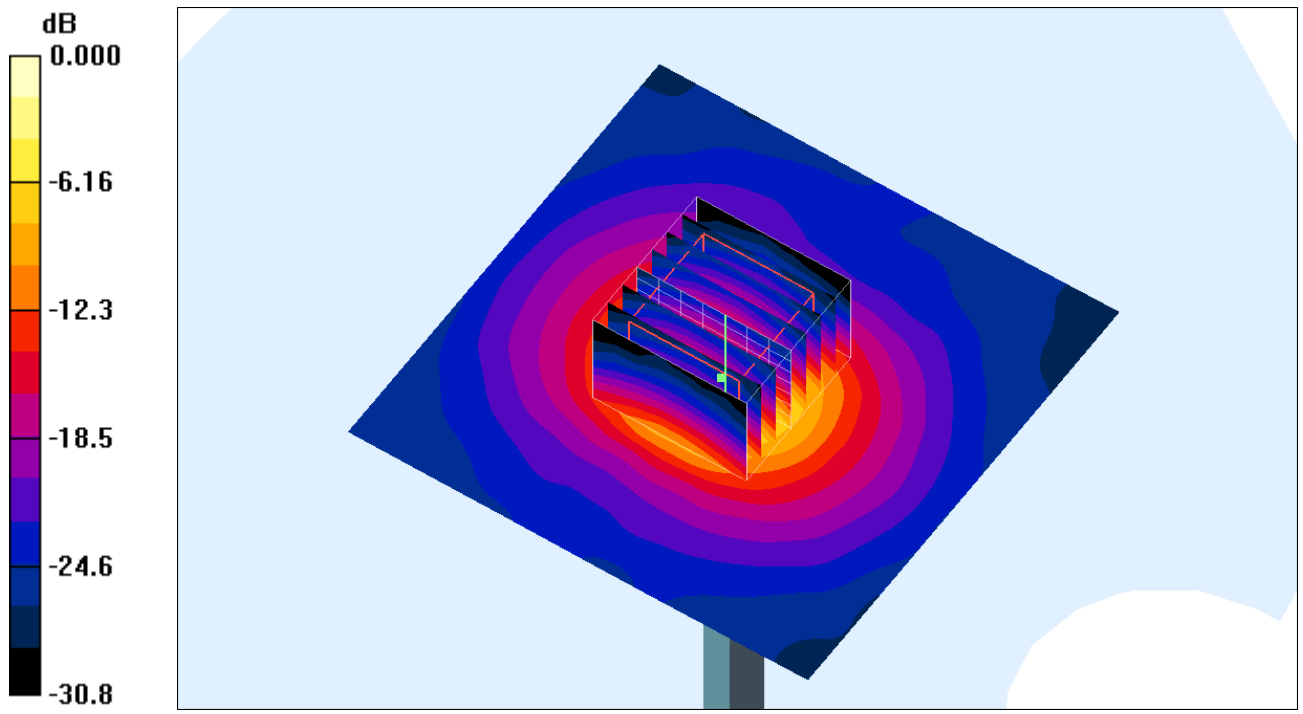
Pin=100mW/Zoom Scan (8x8x8)/Cube 0: Measurement grid: dx=4.3mm, dy=4.3mm, dz=3mm

Reference Value = 56.4 V/m; Power Drift = -0.115 dB

Peak SAR (extrapolated) = 22.2 W/kg

SAR(1 g) = 7.71 mW/g; SAR(10 g) = 2.23 mW/g

Maximum value of SAR (measured) = 12.8 mW/g



0 dB = 12.8mW/g

System Check_Head_5500MHz_110611

DUT: D5GHzV2-SN:1040

Communication System: CW; Frequency: 5500 MHz; Duty Cycle: 1:1
Medium: HSL5G_110611 Medium parameters used: $f = 5500$ MHz; $\sigma = 5.12$
mho/m; $\epsilon_r = 35$; $\rho = 1000$ kg/m³

Ambient Temperature : 22.3 °C; Liquid Temperature : 21.3°C

DASY4 Configuration:

- Probe: EX3DV4 - SN3731; ConvF(4.46, 4.46, 4.46); Calibrated: 2010/9/20
- Sensor-Surface: 2mm (Mechanical Surface Detection)
- Electronics: DAE3 Sn495; Calibrated: 2011/4/28
- Phantom: SAM_Left; Type: SAM; Serial: TP-1150
- Measurement SW: DASY4, V4.7 Build 80; Postprocessing SW: SEMCAD, V1.8 Build 186

Pin=100mW/Area Scan (91x91x1): Measurement grid: dx=10mm, dy=10mm
Maximum value of SAR (interpolated) = 14.9 mW/g

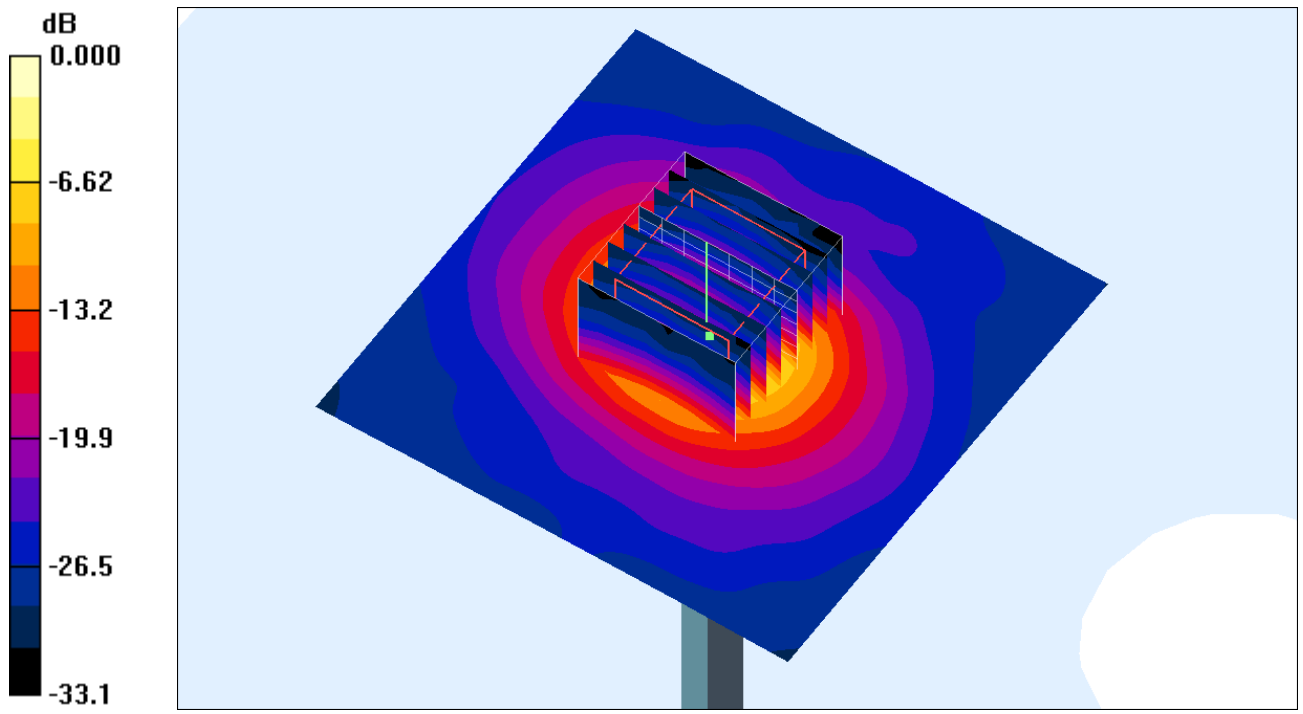
Pin=100mW/Zoom Scan (8x8x8)/Cube 0: Measurement grid: dx=4.3mm,
dy=4.3mm, dz=3mm

Reference Value = 55.5 V/m; Power Drift = 0.159 dB

Peak SAR (extrapolated) = 33.3 W/kg

SAR(1 g) = 8.19 mW/g; SAR(10 g) = 2.29 mW/g

Maximum value of SAR (measured) = 14.0 mW/g



0 dB = 14.0mW/g

System Check_Head_5500MHz_120331

DUT: D5GHzV2-SN:1006

Communication System: CW; Frequency: 5500 MHz; Duty Cycle: 1:1

Medium: HSL_5G_120331 Medium parameters used: $f = 5500 \text{ MHz}$; $\sigma = 5.13 \text{ mho/m}$; $\epsilon_r = 35.1$; $\rho = 1000 \text{ kg/m}^3$

Ambient Temperature : 22.6 °C; Liquid Temperature : 21.6 °C

DASY4 Configuration:

- Probe: EX3DV4 - SN3792; ConvF(4.66, 4.66, 4.66); Calibrated: 2011/6/20
- Sensor-Surface: 2mm (Mechanical Surface Detection)
- Electronics: DAE3 Sn495; Calibrated: 2011/4/28
- Phantom: SAM-Left; Type: QD 000 P40 C; Serial: TP-1478
- Measurement SW: DASY4, V4.7 Build 80; Postprocessing SW: SEMCAD, V1.8 Build 186

Pin=100mW/Area Scan (91x91x1): Measurement grid: dx=10mm, dy=10mm

Maximum value of SAR (interpolated) = 14.9 mW/g

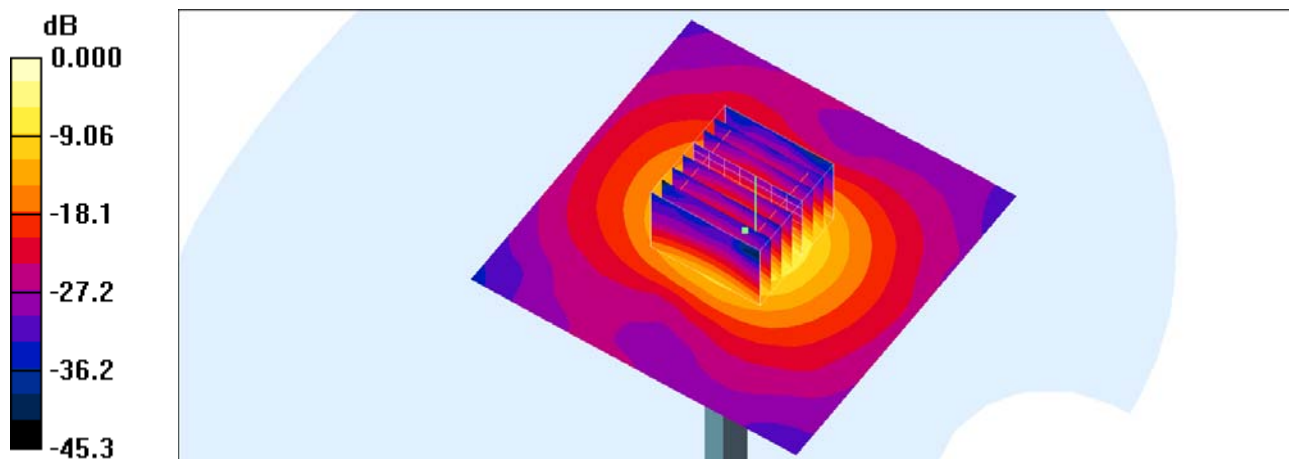
Pin=100mW/Zoom Scan (8x8x8)/Cube 0: Measurement grid: dx=4.3mm, dy=4.3mm, dz=3mm

Reference Value = 56.2 V/m; Power Drift = -0.068 dB

Peak SAR (extrapolated) = 33.2 W/kg

SAR(1 g) = 8.37 mW/g; SAR(10 g) = 2.38 mW/g

Maximum value of SAR (measured) = 14.3 mW/g



0 dB = 14.3mW/g

System Check_Body_5500MHz_110615

DUT: D5GHzV2-SN:1040

Communication System: CW; Frequency: 5500 MHz; Duty Cycle: 1:1
Medium: MSL_5G_110615 Medium parameters used: $f = 5500$ MHz; $\sigma = 5.67$ mho/m; $\epsilon_r = 47$; $\rho = 1000$ kg/m³

Ambient Temperature : 22.6 °C; Liquid Temperature : 21.6 °C

DASY4 Configuration:

- Probe: EX3DV4 - SN3731; ConvF(3.44, 3.44, 3.44); Calibrated: 2010/9/20
- Sensor-Surface: 2mm (Mechanical Surface Detection)
- Electronics: DAE3 Sn495; Calibrated: 2011/4/28
- Phantom: SAM_Right; Type: SAM; Serial: TP-1303
- Measurement SW: DASY4, V4.7 Build 80; Postprocessing SW: SEMCAD, V1.8 Build 186

Pin=100mW/Area Scan (91x91x1): Measurement grid: dx=10mm, dy=10mm
Maximum value of SAR (interpolated) = 15.2 mW/g

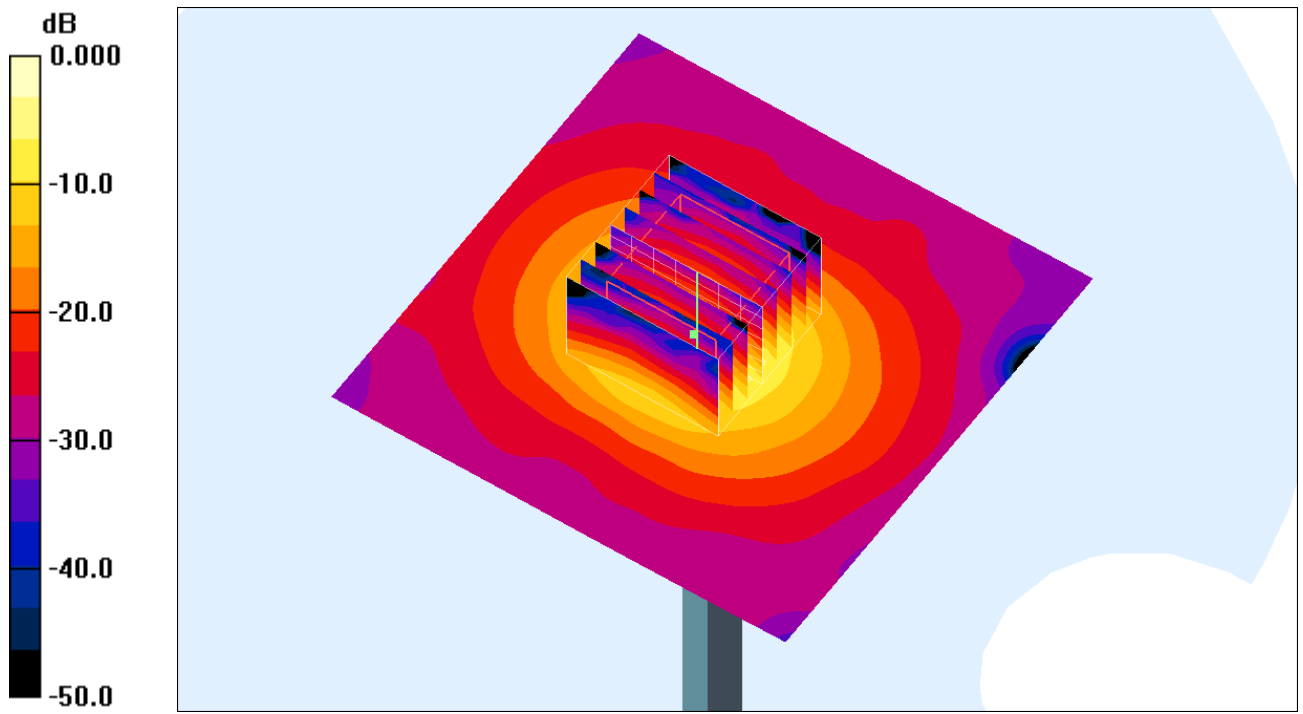
Pin=100mW/Zoom Scan (8x8x8)/Cube 0: Measurement grid: dx=4.3mm, dy=4.3mm, dz=3mm

Reference Value = 57.5 V/m; Power Drift = 0.126 dB

Peak SAR (extrapolated) = 29.2 W/kg

SAR(1 g) = 8.83 mW/g; SAR(10 g) = 2.46 mW/g

Maximum value of SAR (measured) = 15.7 mW/g



0 dB = 15.7mW/g

System Check_Head_5800MHz_110611

DUT: D5GHzV2-SN:1040

Communication System: CW; Frequency: 5800 MHz; Duty Cycle: 1:1
Medium: HSL5G_110611 Medium parameters used: $f = 5800$ MHz; $\sigma = 5.41$ mho/m; $\epsilon_r = 34.4$; $\rho = 1000$ kg/m³

Ambient Temperature : 22.3 °C; Liquid Temperature : 21.3 °C

DASY4 Configuration:

- Probe: EX3DV4 - SN3731; ConvF(4.22, 4.22, 4.22); Calibrated: 2010/9/20
- Sensor-Surface: 2mm (Mechanical Surface Detection)
- Electronics: DAE3 Sn495; Calibrated: 2011/4/28
- Phantom: SAM_Left; Type: SAM; Serial: TP-1150
- Measurement SW: DASY4, V4.7 Build 80; Postprocessing SW: SEMCAD, V1.8 Build 186

Pin=100mW/Area Scan (91x91x1): Measurement grid: dx=10mm, dy=10mm
Maximum value of SAR (interpolated) = 11.8 mW/g

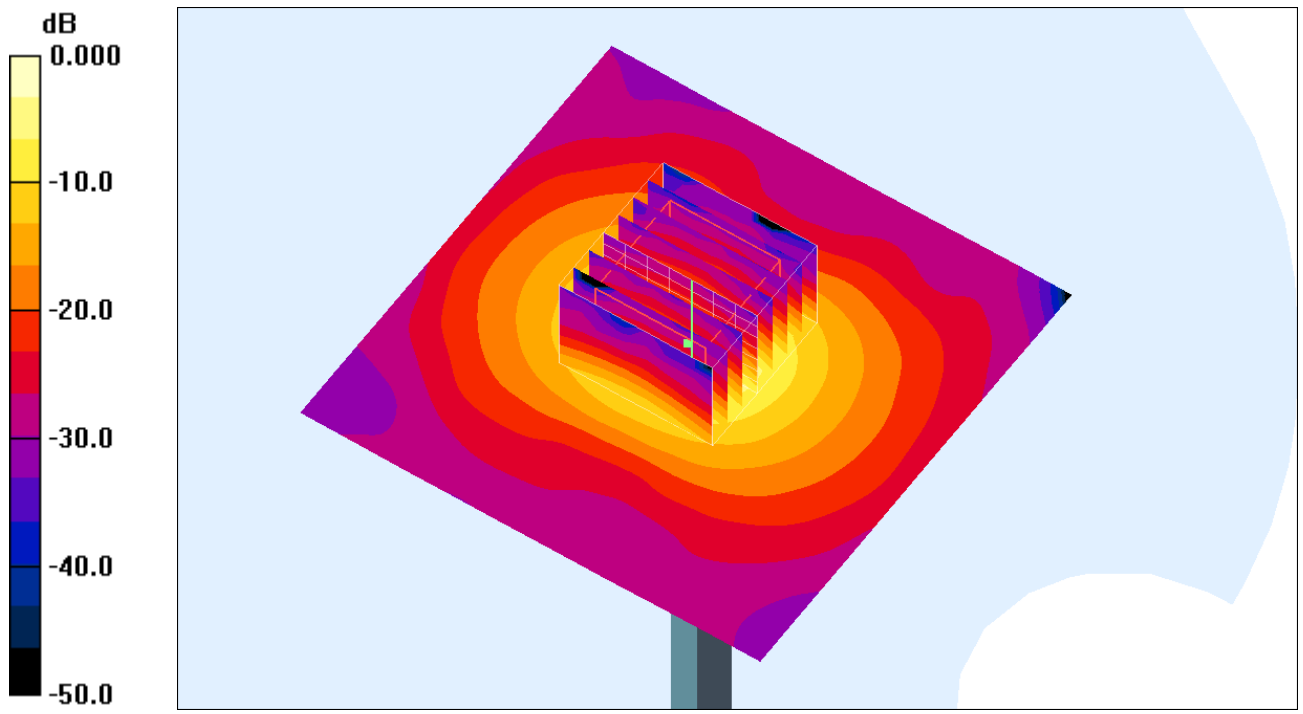
Pin=100mW/Zoom Scan (8x8x8)/Cube 0: Measurement grid: dx=4.3mm, dy=4.3mm, dz=3mm

Reference Value = 47.9 V/m; Power Drift = 0.042 dB

Peak SAR (extrapolated) = 29.4 W/kg

SAR(1 g) = 7.64 mW/g; SAR(10 g) = 2.18 mW/g

Maximum value of SAR (measured) = 11.2 mW/g



0 dB = 11.2mW/g

System Check_Body_5800MHz_110615

DUT: D5GHzV2-SN:1040

Communication System: 802.11a; Frequency: 5800 MHz; Duty Cycle: 1:1
Medium: MSL_5G_110615 Medium parameters used: $f = 5800$ MHz; $\sigma = 6.17$
mho/m; $\epsilon_r = 46.5$; $\rho = 1000$ kg/m³

Ambient Temperature : 22.6 °C; Liquid Temperature : 21.6 °C

DASY4 Configuration:

- Probe: EX3DV4 - SN3731; ConvF(3.55, 3.55, 3.55); Calibrated: 2010/9/20
- Sensor-Surface: 2mm (Mechanical Surface Detection)
- Electronics: DAE3 Sn495; Calibrated: 2011/4/28
- Phantom: SAM_Right; Type: SAM; Serial: TP-1303
- Measurement SW: DASY4, V4.7 Build 80; Postprocessing SW: SEMCAD, V1.8 Build 186

Pin=100mW/Area Scan (91x91x1): Measurement grid: dx=10mm, dy=10mm
Maximum value of SAR (interpolated) = 12.8 mW/g

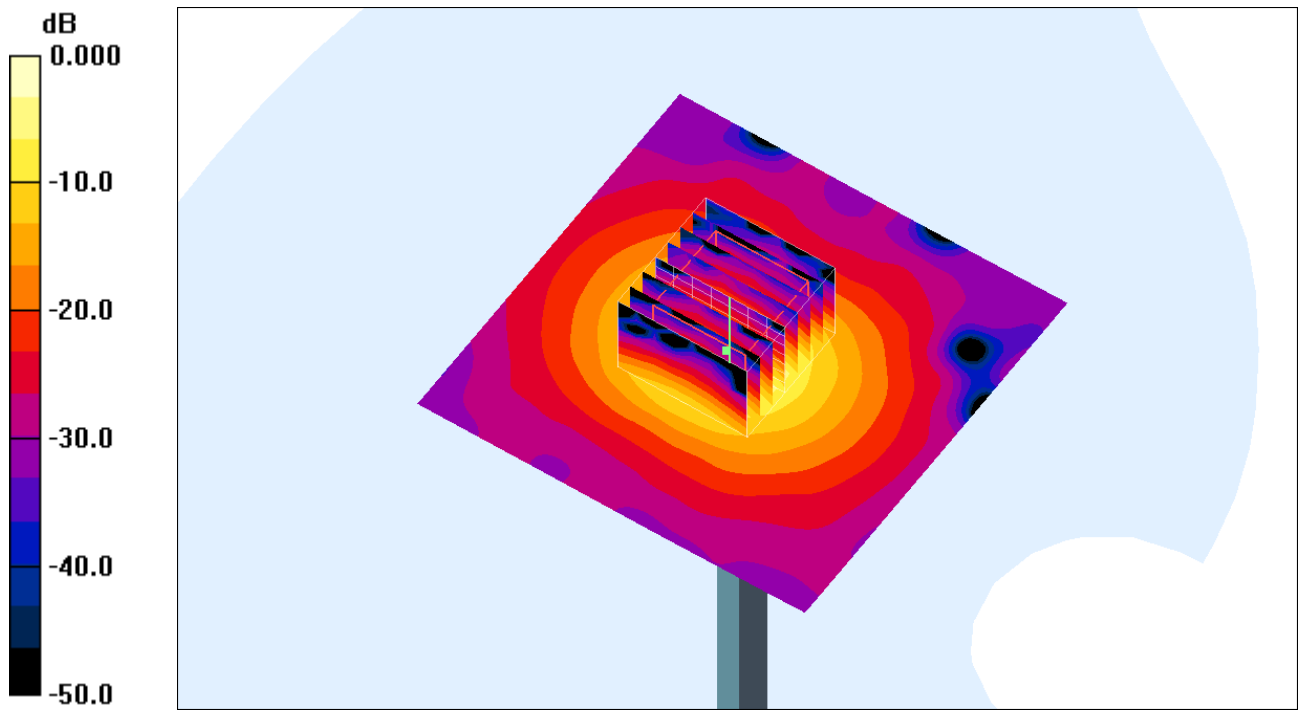
Pin=100mW/Zoom Scan (8x8x8)/Cube 0: Measurement grid: dx=4.3mm,
dy=4.3mm, dz=3mm

Reference Value = 50.2 V/m; Power Drift = 0.117 dB

Peak SAR (extrapolated) = 25.8 W/kg

SAR(1 g) = 7.35 mW/g; SAR(10 g) = 2.04 mW/g

Maximum value of SAR (measured) = 13.1 mW/g



0 dB = 13.1mW/g

System Check_Body_5800MHz_120331

DUT: D5GHzV2-SN:1006

Communication System: CW; Frequency: 5800 MHz; Duty Cycle: 1:1

Medium: MSL_5G_120331 Medium parameters used: $f = 5800$ MHz; $\sigma = 6.18$ mho/m; $\epsilon_r = 46.6$; $\rho = 1000$ kg/m³

Ambient Temperature : 22.6 °C; Liquid Temperature : 21.6 °C

DASY4 Configuration:

- Probe: EX3DV4 - SN3792; ConvF(3.78, 3.78, 3.78); Calibrated: 2011/6/20
- Sensor-Surface: 2mm (Mechanical Surface Detection)
- Electronics: DAE3 Sn495; Calibrated: 2011/4/28
- Phantom: SAM-Right; Type: QD 000 P40 C; Serial: TP-1383
- Measurement SW: DASY4, V4.7 Build 80; Postprocessing SW: SEMCAD, V1.8 Build 186

Pin=100mW/Area Scan (91x91x1): Measurement grid: dx=10mm, dy=10mm

Maximum value of SAR (interpolated) = 13.5 mW/g

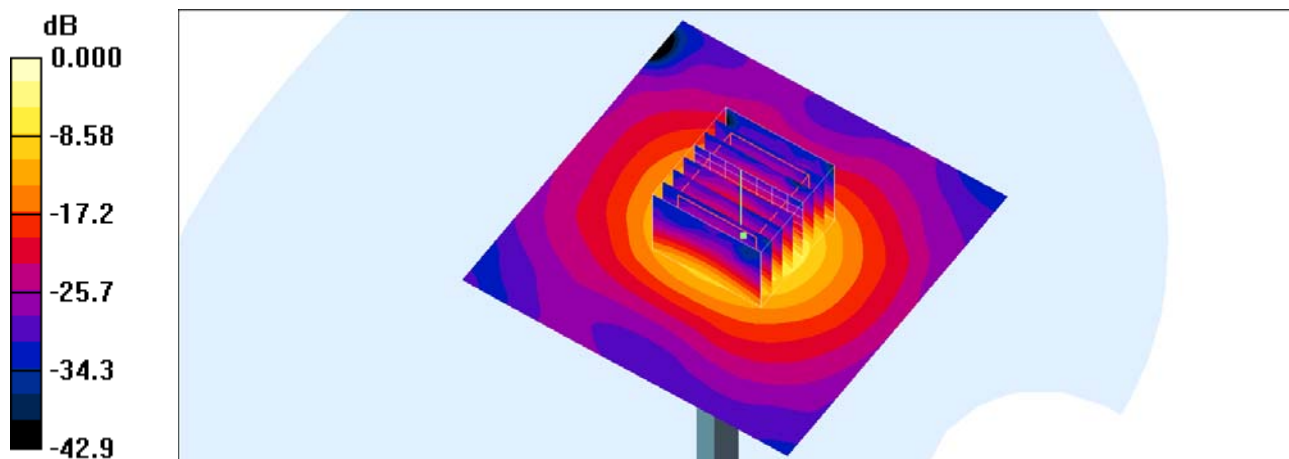
Pin=100mW/Zoom Scan (8x8x8)/Cube 0: Measurement grid: dx=4.3mm, dy=4.3mm, dz=3mm

Reference Value = 50.5 V/m; Power Drift = -0.035 dB

Peak SAR (extrapolated) = 29.4 W/kg

SAR(1 g) = 7.59 mW/g; SAR(10 g) = 2.15 mW/g

Maximum value of SAR (measured) = 12.9 mW/g



0 dB = 12.9mW/g