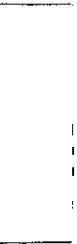


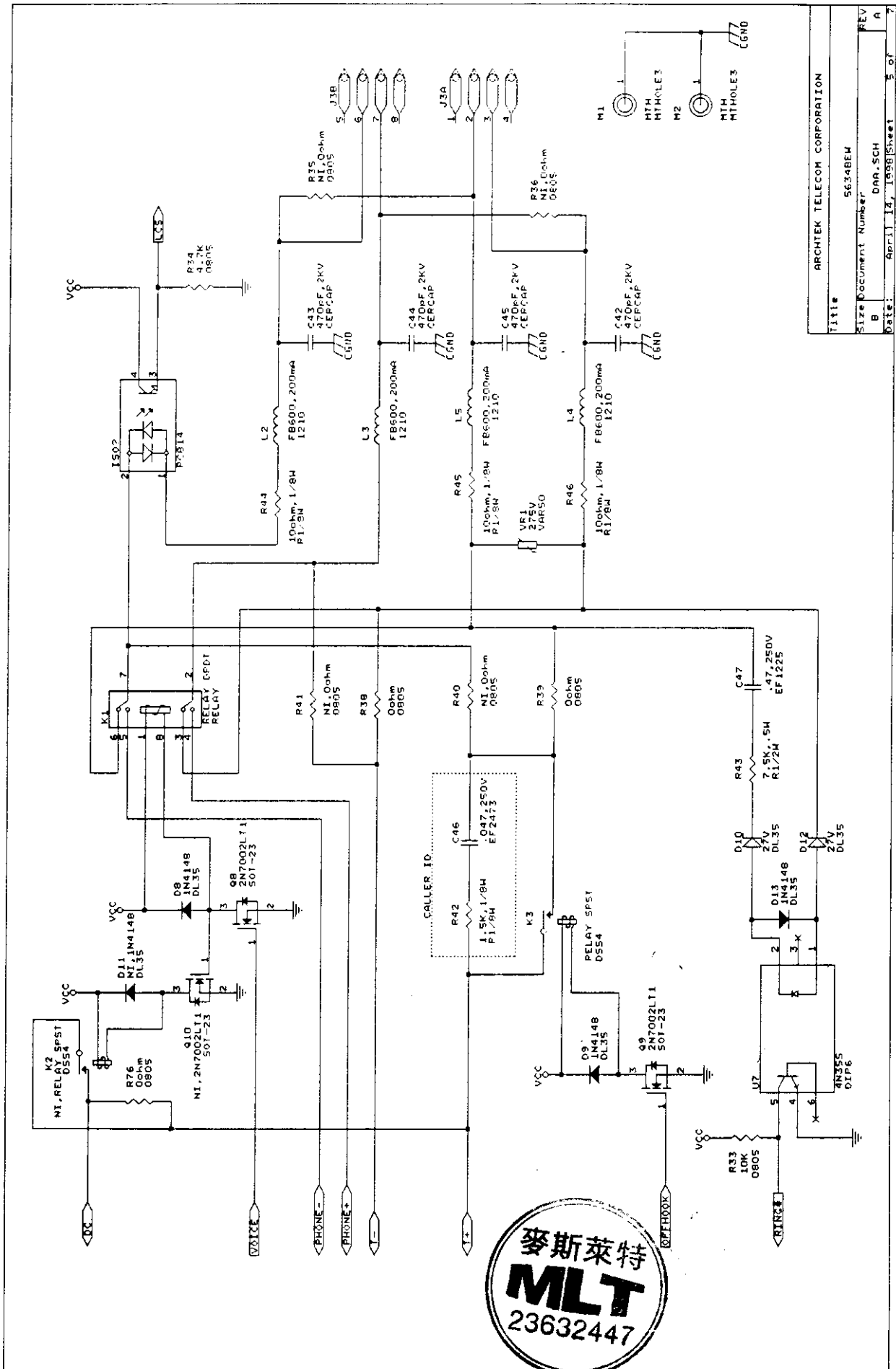


MAX LIGHT

EXHIBIT D

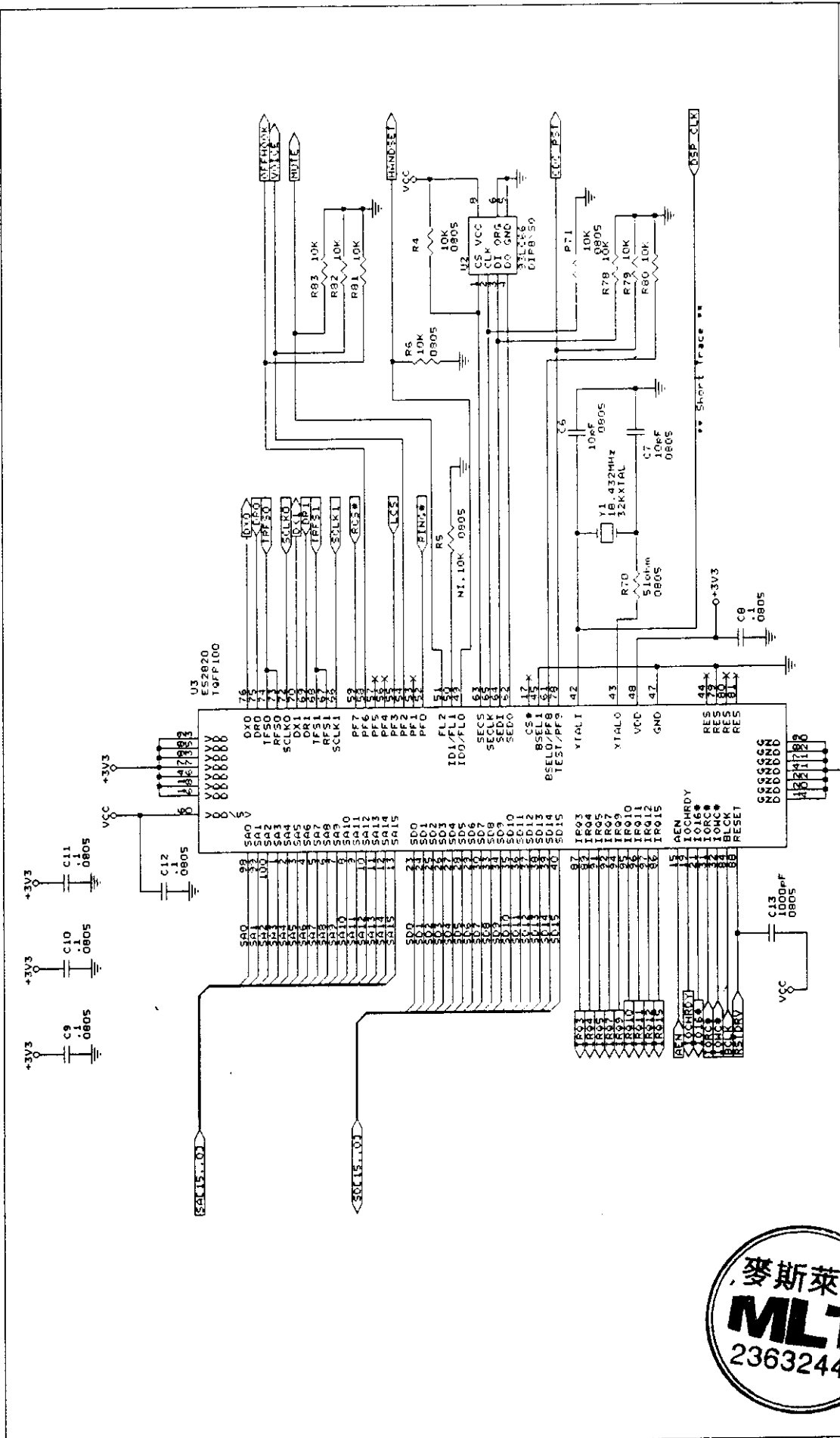
Circuit Diagram





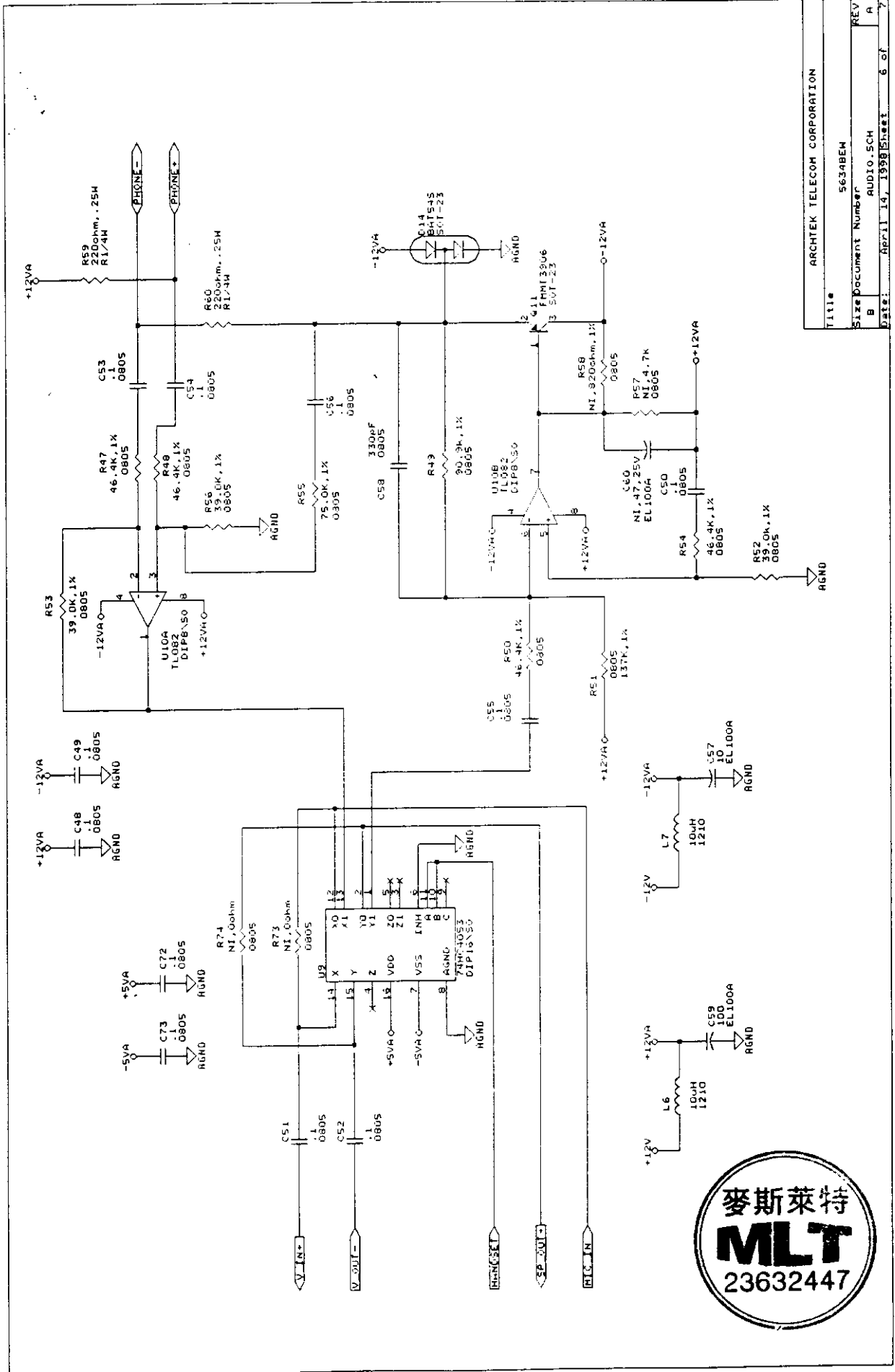
Title		ARCHTEK TELECOM CORPORATION	
Size		56348EH	
Document Number		DAR.SCH	
Date:		Apr-14, 1998	
Page:		5 of 7	



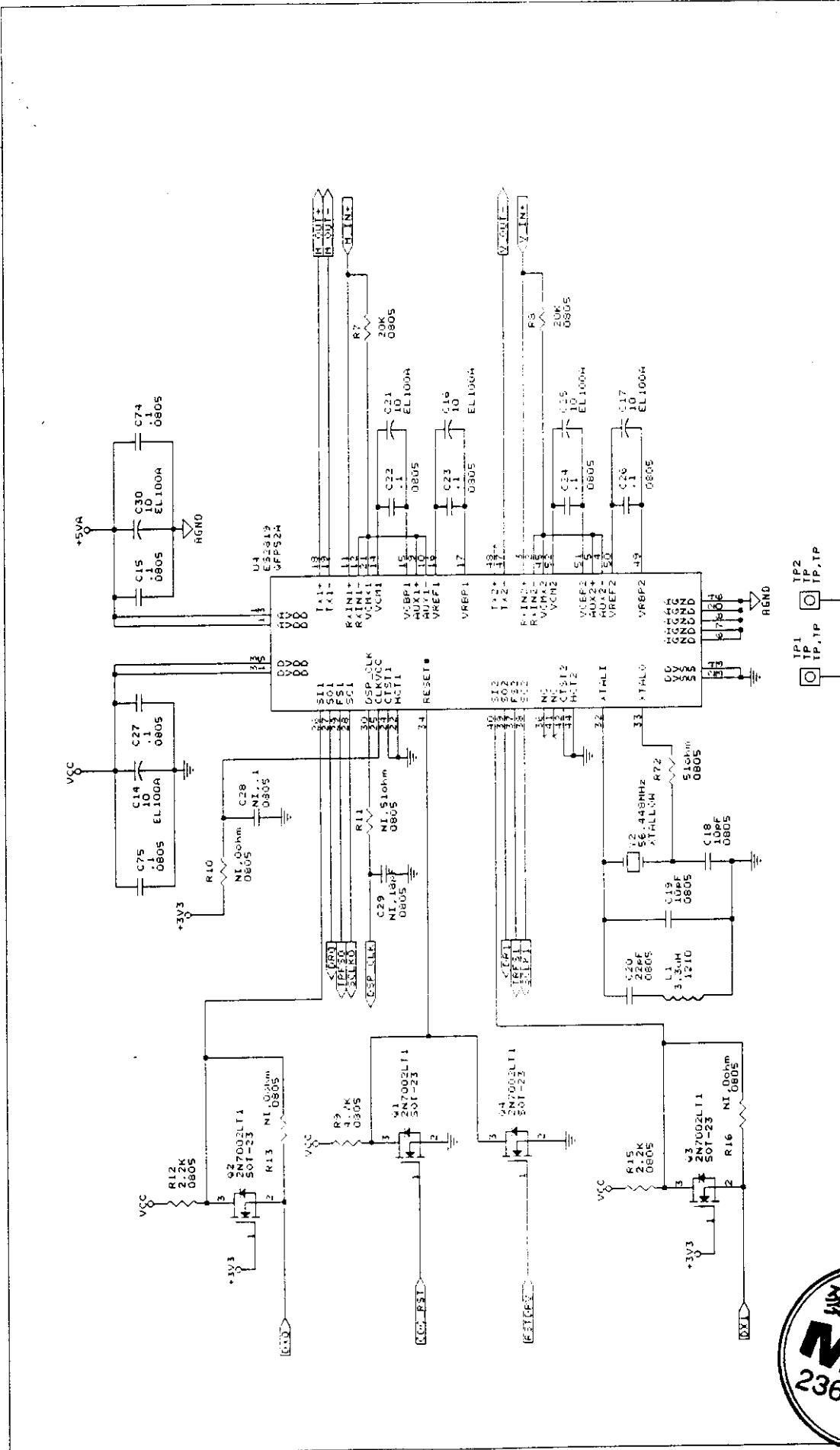


Title	ARCHTEK TELECOM CORPORATION
Size	5634BEN
Document Number	B
CODEC. SCH	A
REV	2 of 7
Date	April 14, 1988 Sheet





Title		ARCHTEK TELECOM CORPORATION
Size		5634BEM
Document Number		AUDIO.SCH
REV	A	REV
B		DATE
		April 14, 1995
		Sheet 6 of 7

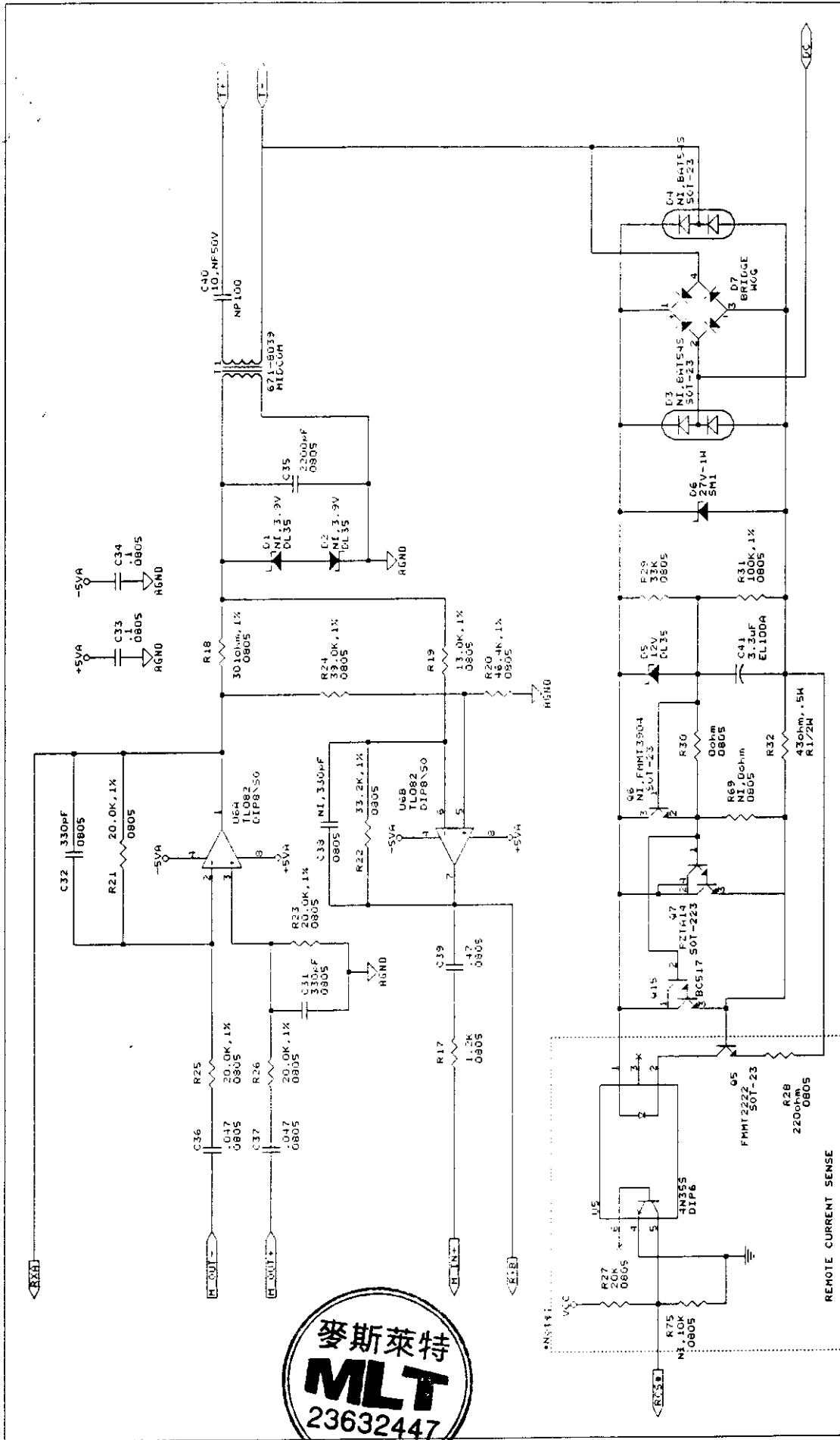


ARCHTEK TELECOM CORPORATION
 Title: 5634BEM
 Size: Document Number
 B D5P.SCH
 REV: A
 Date: April 14, 1988 Sheet 3 of 7

DIGITAL AND ANALOG GROUNDS SHOULD BE TIED TOGETHER UNDERNEATH THE COBEC.

IP1 IP2
 IP,IP IP,IP



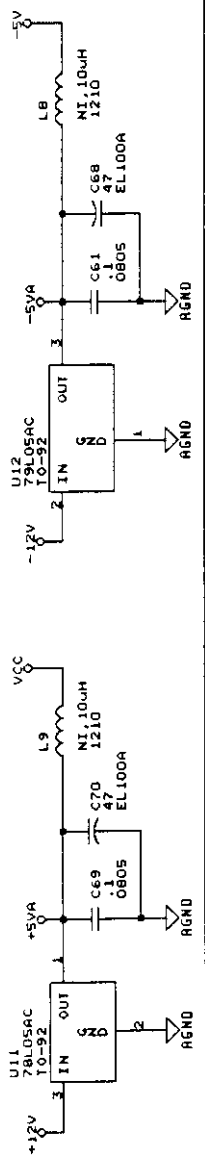
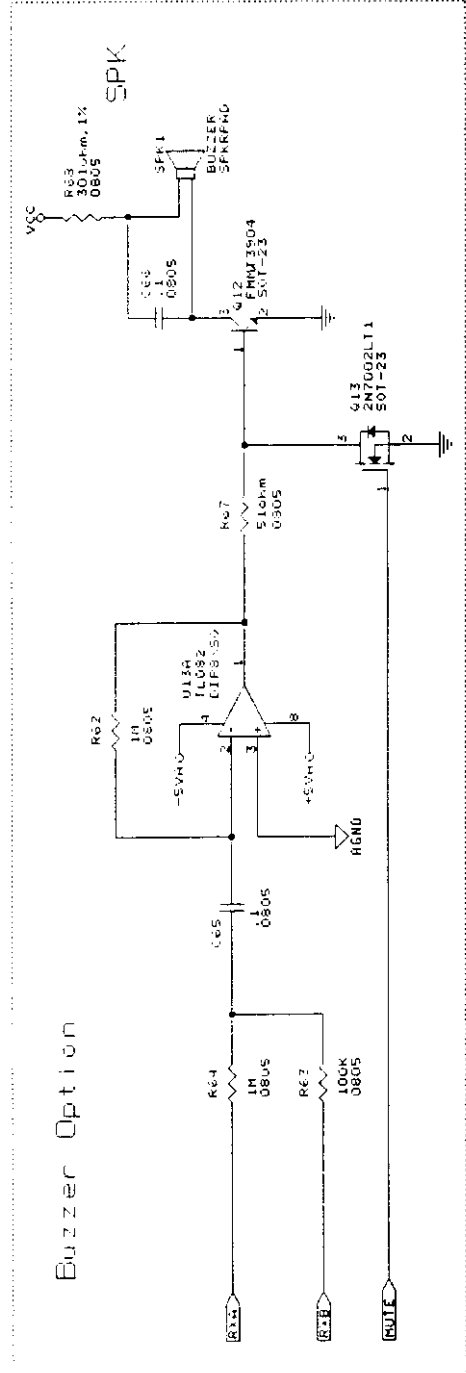
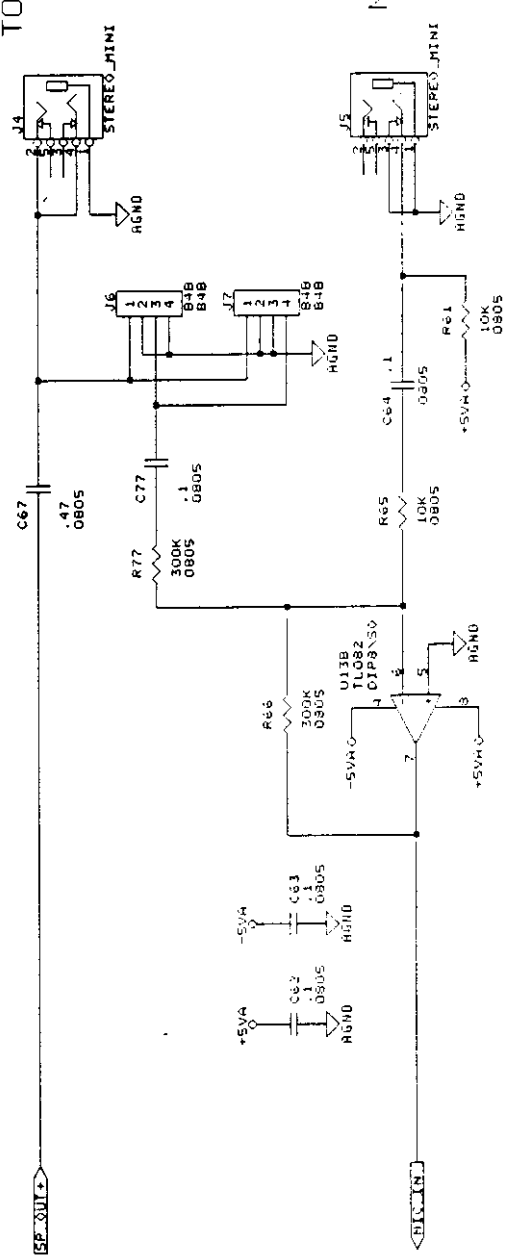


REMOTE CURRENT SENSE

* Note: If don't install RCS parts U5, R27, Q5 and R28, R75 should be installed

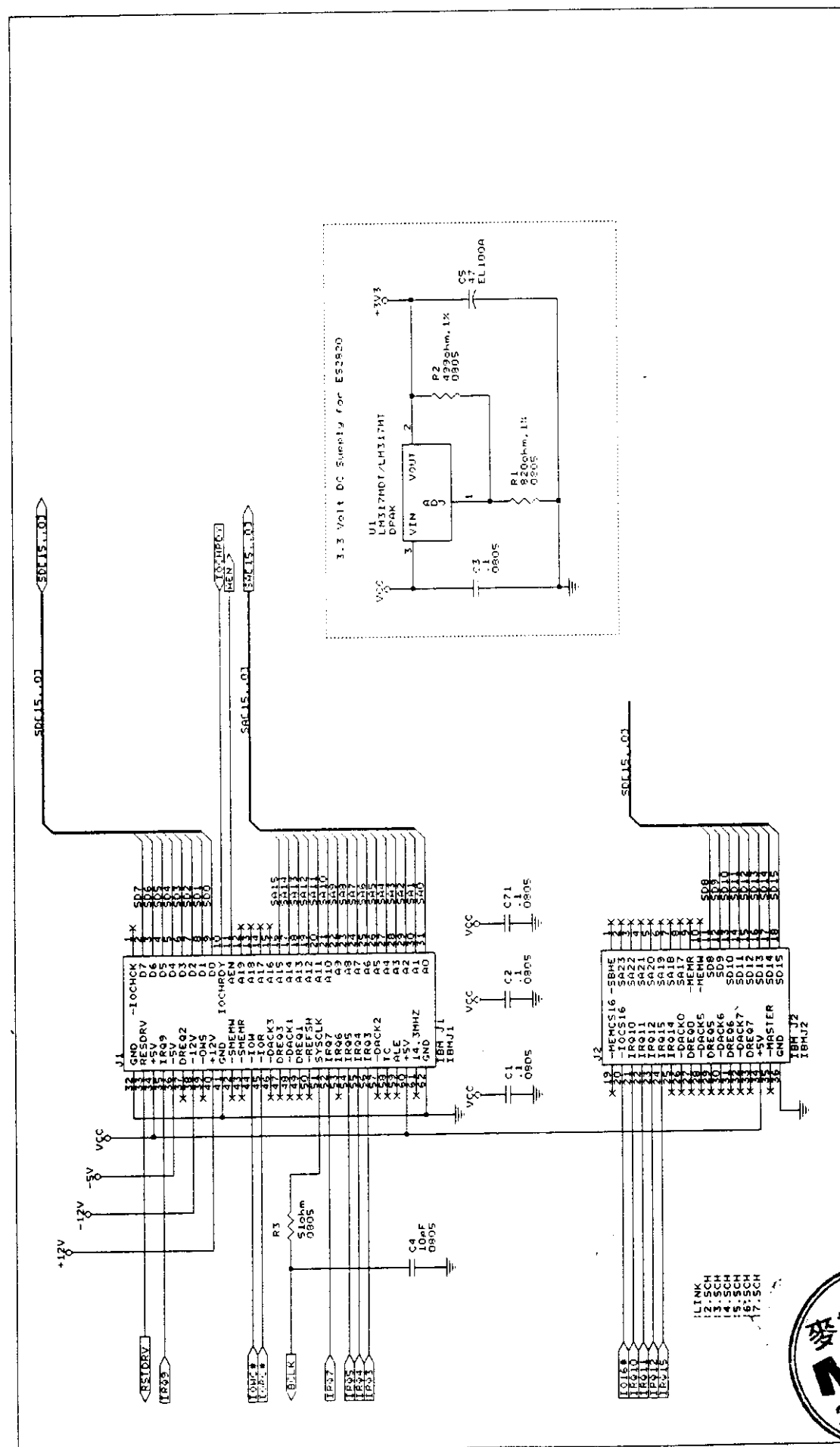
Title		ARCHTEK TELECOM CORPORATION
Size		56348EH
Document Number	B	HYBRID.SCH
Date	B	April 14, 1998
Sheet	4	of 7

TO PWR SPK



Title	ARCHTEK TELECOM CORPORATION
Size	5634BEM
Document Number	JACK.SCH
REV	A
Date	April 14, 1998
Sheet	7 of 7





ARCHTEK TELECOM CORPORATION	
Title	5634BEM
Size	Document Number
	B 15A.5CH
REV	A
Date:	Apr 14, 1998 Sheet of

