

1

2

3

4

5

D

D

C

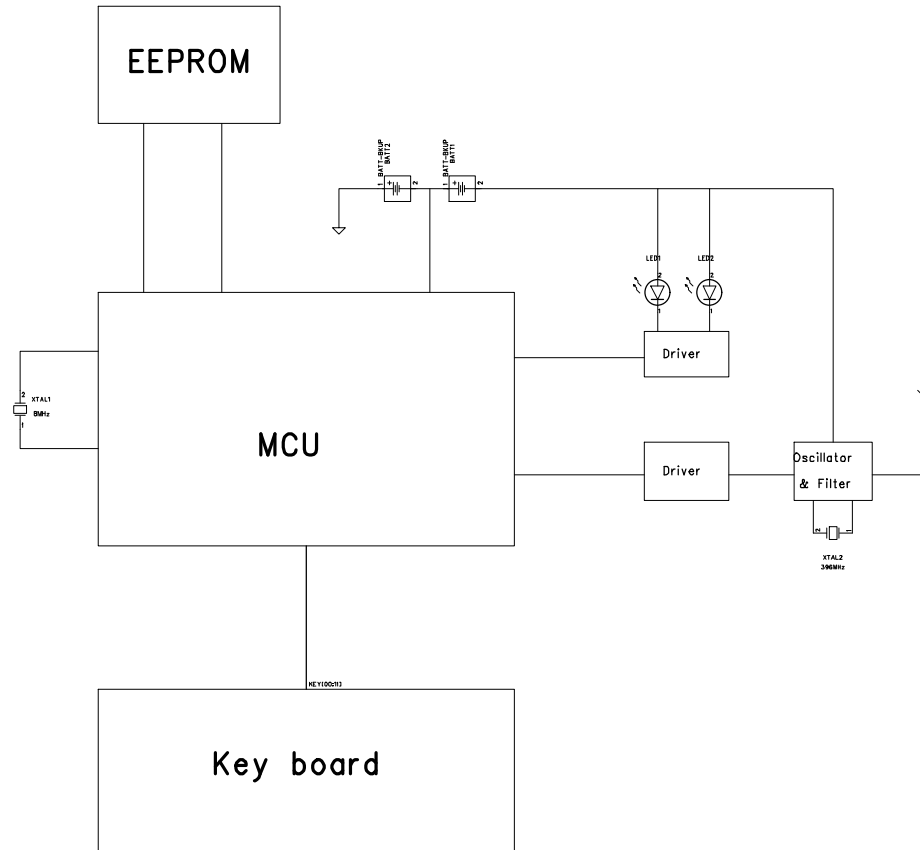
C


B

B

A

A



 VTech Communications Ltd. Multimedia Communications Division		
Document No.:		
Model Name :		
Description of Circuit :		Rev. :
Date :	Sheet :	of

1

2

3

4

5

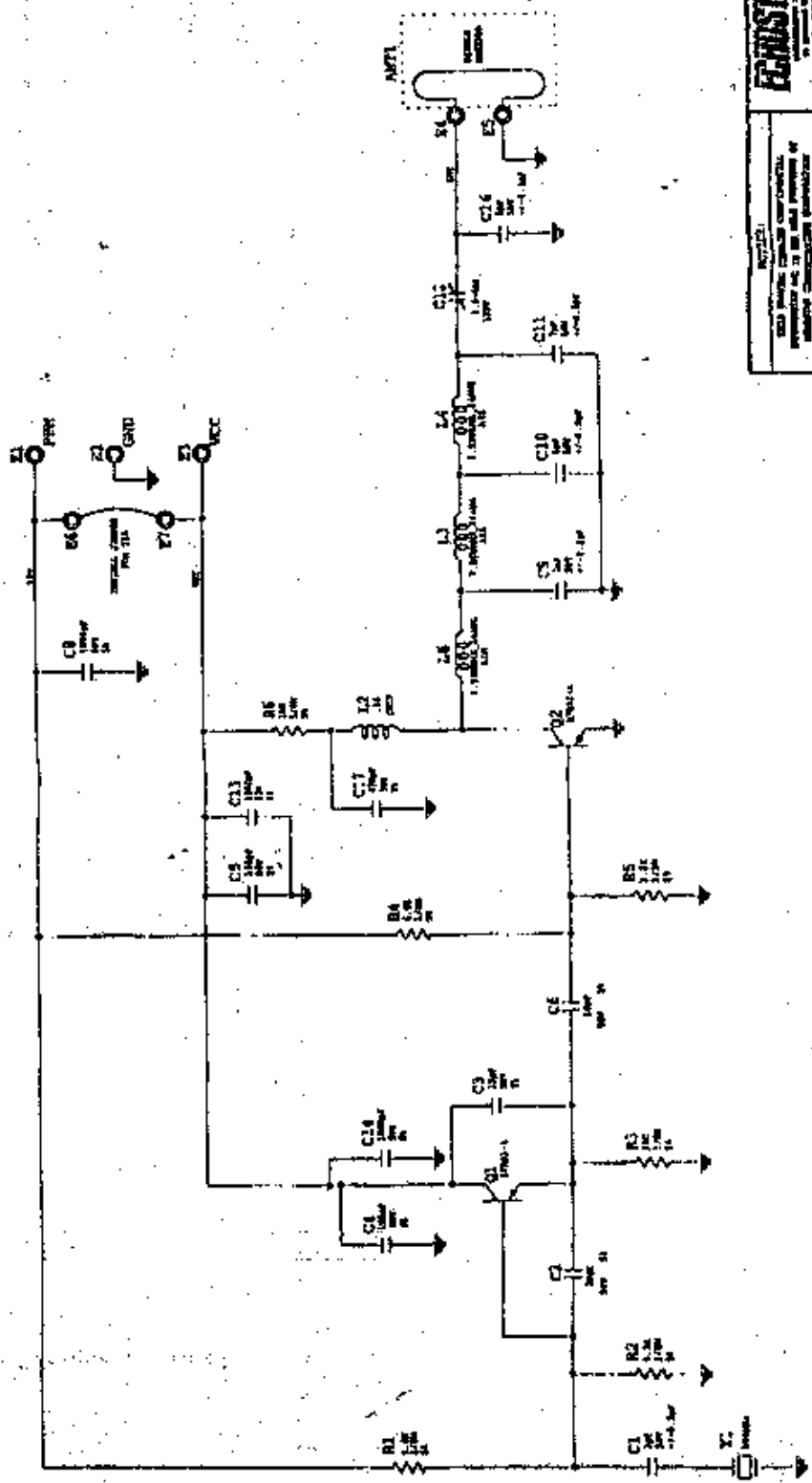
REV	DATE	BY	DESCRIPTION	APPROVED BY
1	11-29-44			
2	11-29-44			
3	11-29-44			
4	11-29-44			
5	11-29-44			
6	11-29-44			
7	11-29-44			
8	11-29-44			
9	11-29-44			
10	11-29-44			

REV	DATE	BY	DESCRIPTION	APPROVED BY
1	11-29-44			
2	11-29-44			
3	11-29-44			
4	11-29-44			
5	11-29-44			
6	11-29-44			
7	11-29-44			
8	11-29-44			
9	11-29-44			
10	11-29-44			

NOTES

UNLESS OTHERWISE SPECIFIED:

1. DIMENSIONS UNLESS OTHERWISE SPECIFIED ARE IN INCHES.
2. DIMENSIONS UNLESS OTHERWISE SPECIFIED ARE IN MILLIMETERS.
3. DIMENSIONS UNLESS OTHERWISE SPECIFIED ARE IN MILLIMETERS.
4. DIMENSIONS UNLESS OTHERWISE SPECIFIED ARE IN MILLIMETERS.



REVISIONS

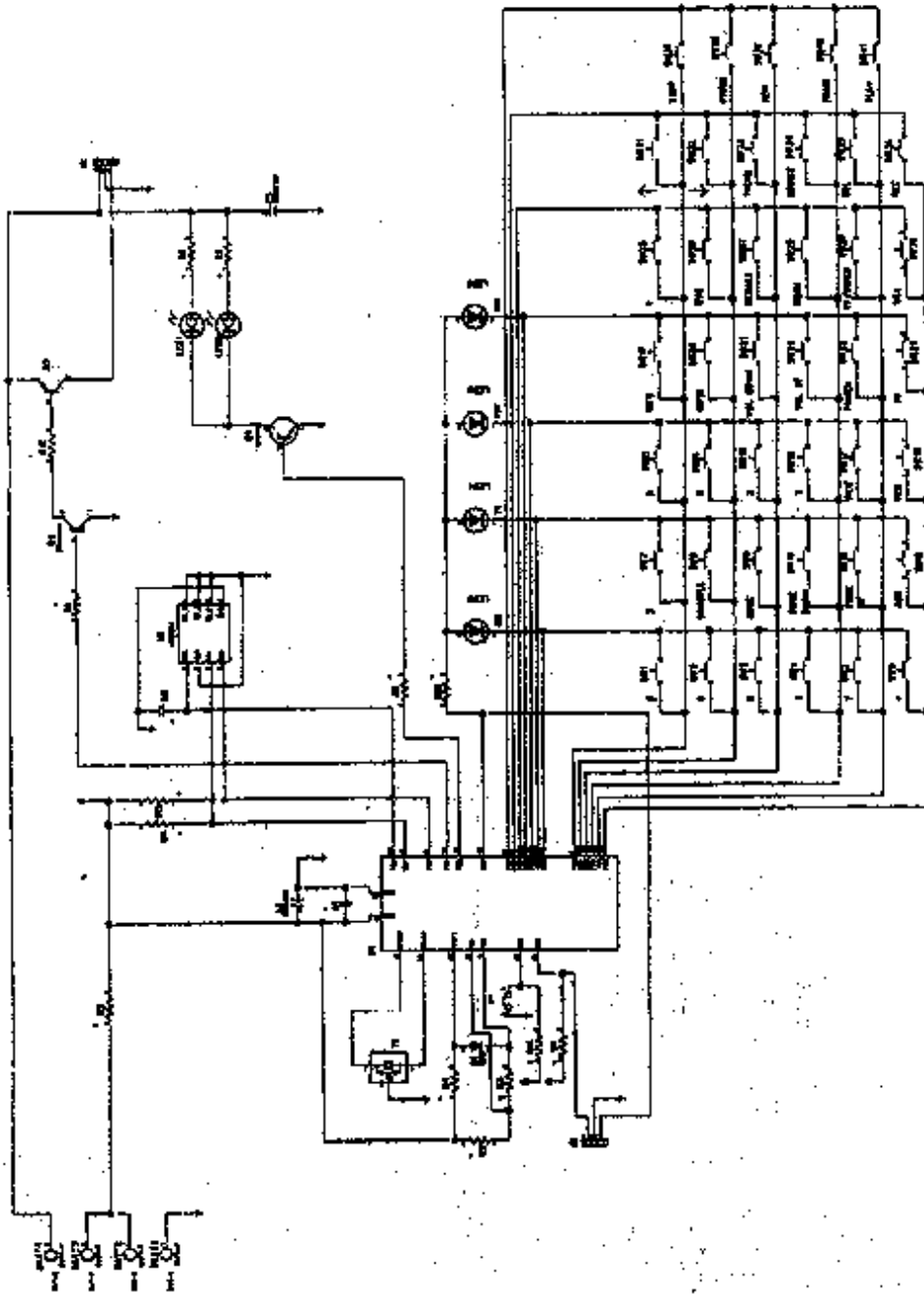
THIS DRAWING IS THE PROPERTY OF
 ELECTRONIC INDUSTRIES, INC.
 ALL RIGHTS RESERVED. IT IS TO BE KEPT
 IN THE ORIGINAL FILE AND NOT REPRODUCED
 OR COPIED IN ANY MANNER WITHOUT THE
 WRITTEN PERMISSION OF ELECTRONIC INDUSTRIES, INC.

DATE: 11-29-44
 BY: [Signature]
 CHECKED BY: [Signature]
 APPROVED BY: [Signature]

PROJECT: [Blank]
 DRAWING NO.: 11-29-44-11-11
 SHEET NO.: 1 OF 1

REV	DATE	BY	DESCRIPTION
1	11-29-44		
2	11-29-44		
3	11-29-44		
4	11-29-44		
5	11-29-44		
6	11-29-44		
7	11-29-44		
8	11-29-44		
9	11-29-44		
10	11-29-44		

▲ = 0603 SMD Package.



Remark : Transmitter will automatically deactivate within less than 5 seconds after manual push button is released.

VTech VTech Communications Ltd.
Multimedia Communication Division

Department No.:

Model Name:

Description of Circuit:

Rev.:

Date: / / Sheet 1 of 1