

1

2

3

4

5

D

D

C

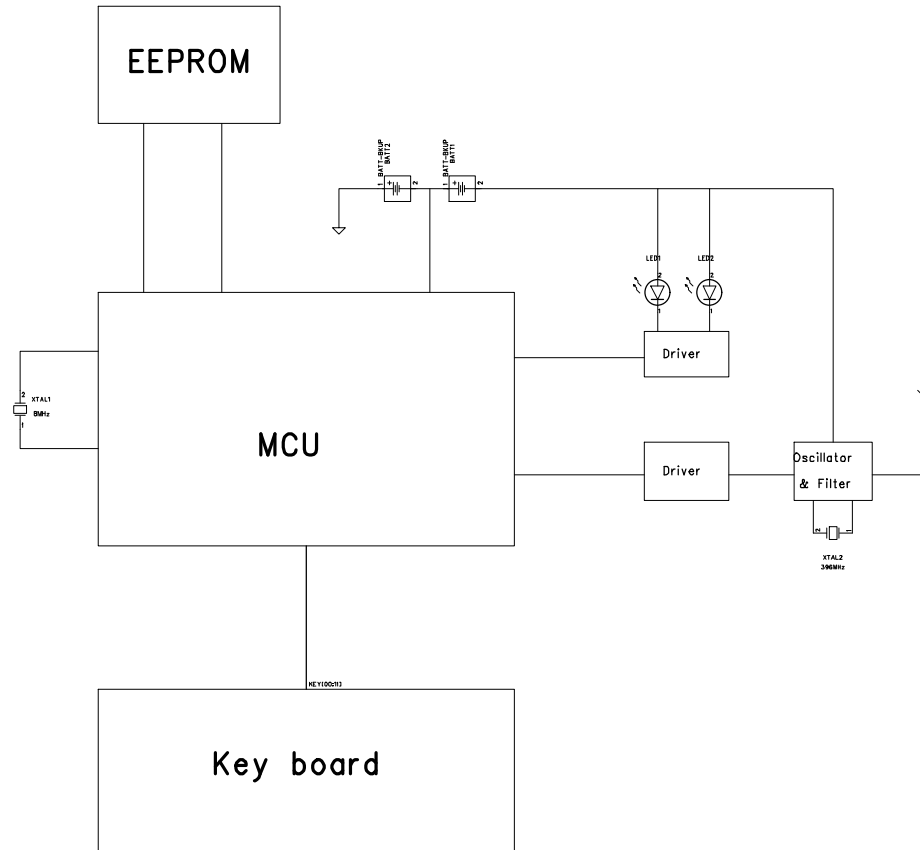
C


B

B

A

A



 VTech Communications Ltd. Multimedia Communications Division		
Document No.:		
Model Name :		
Description of Circuit :		Rev. :
Date :	Sheet :	of

1

2

3

4

5