

Figure 1. Audio Circuit in Base Unit

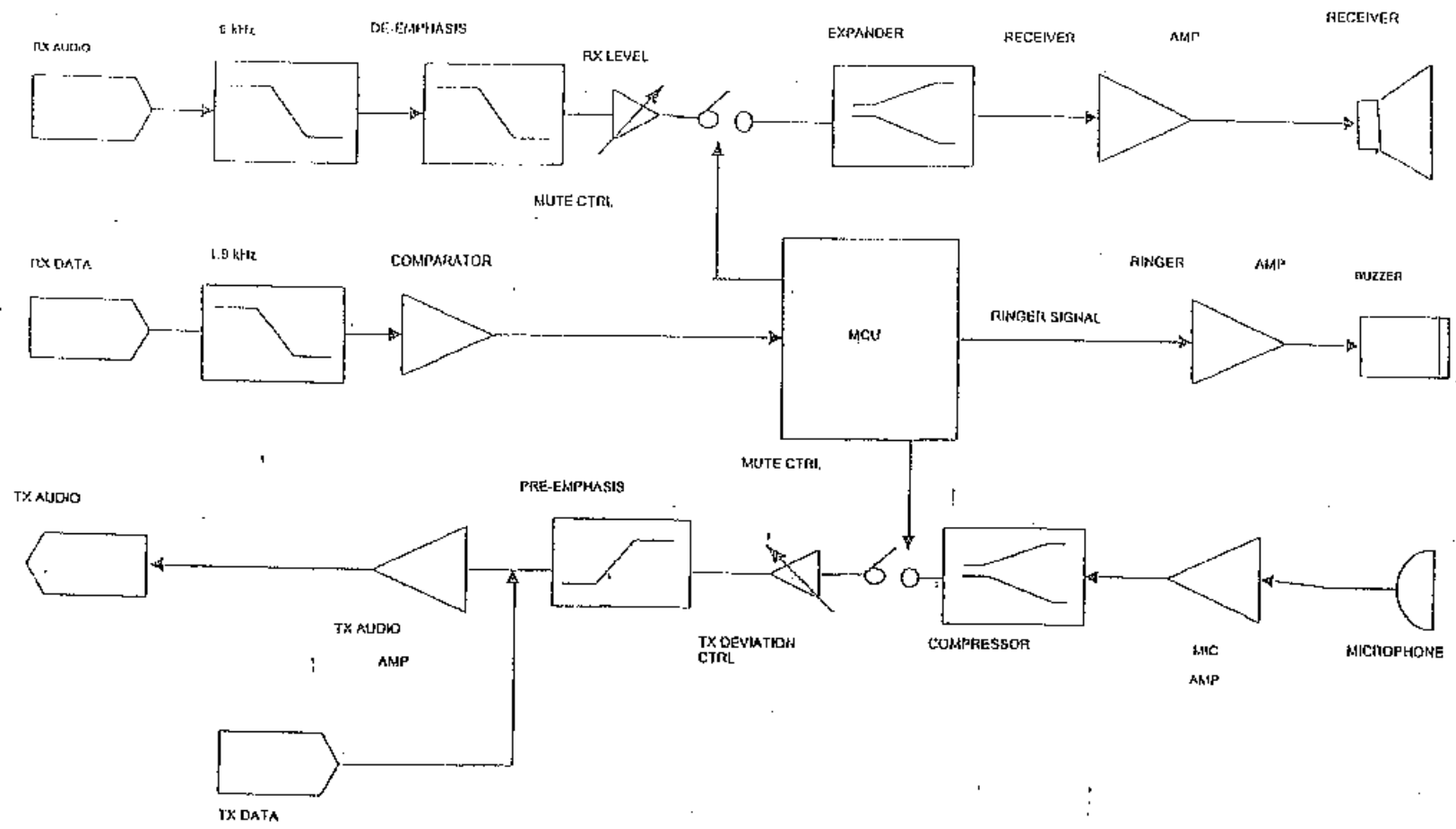
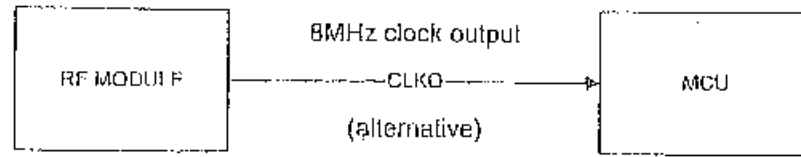


Figure 2. Audio Circuit in Handset Unit

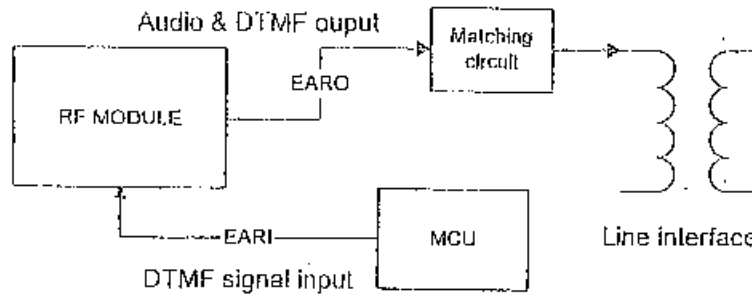
The supplement for figure 3. RF Module Block Diagram

Point A

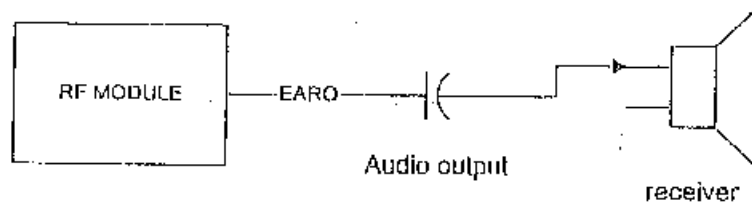


Used in the Base only.

Point B

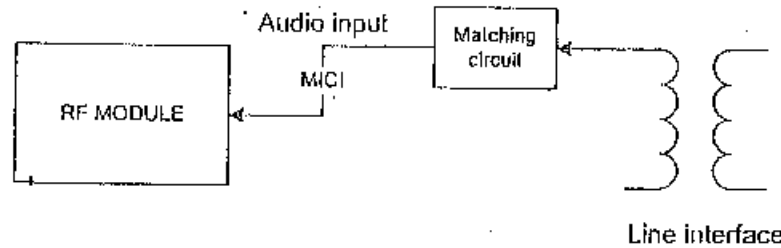


In Base Unit

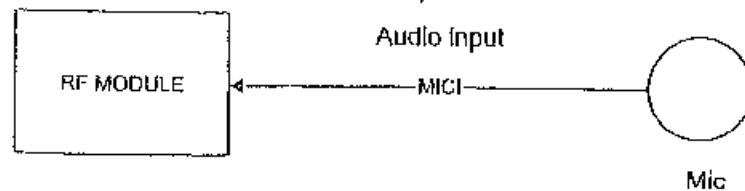


In Handset Unit

Point C

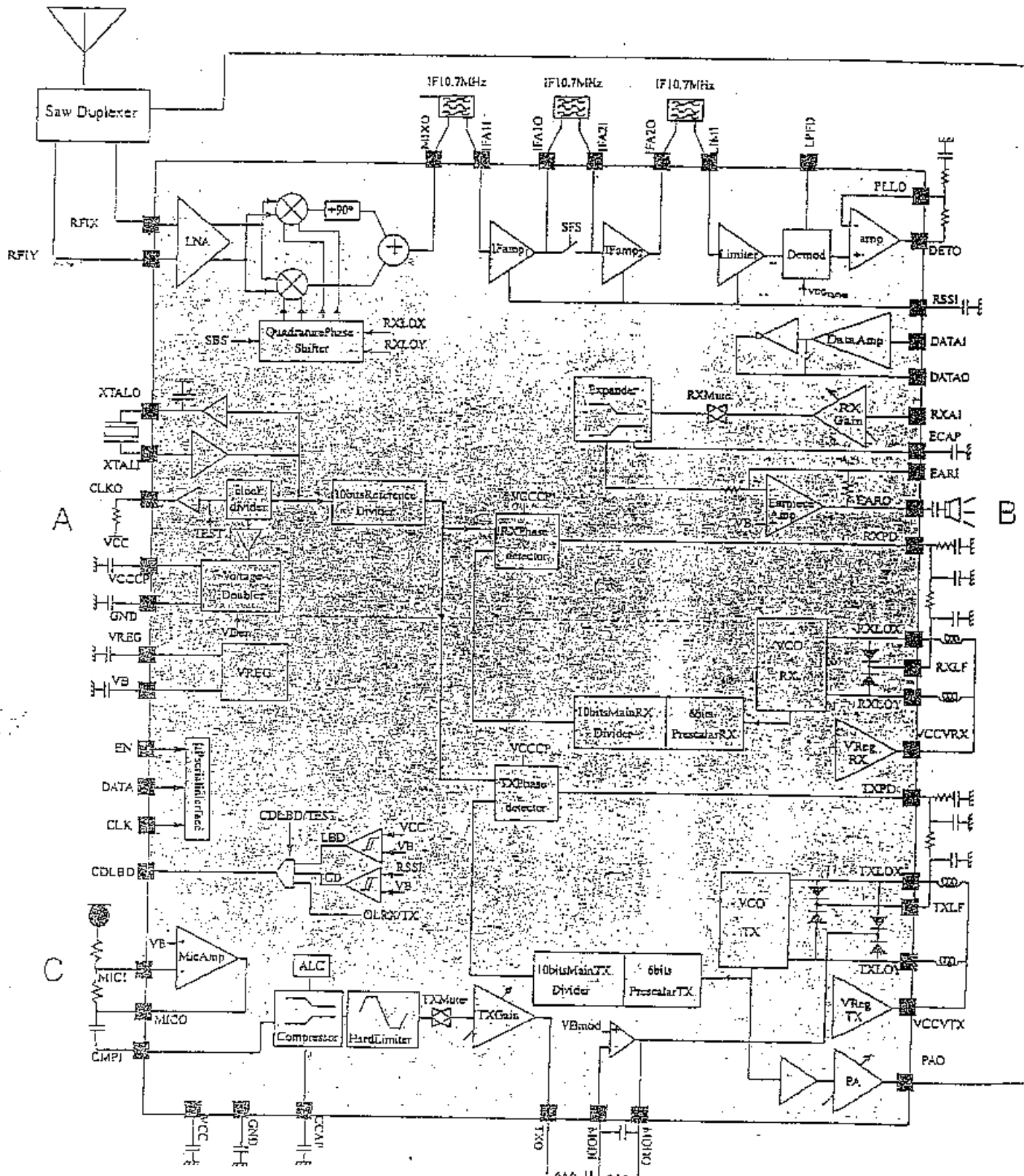


In Base Unit



In Handset Unit

Figure 3. RF Module Block Diagram of Base and Handset.



Note: A, B & C points please reference to the supplement.

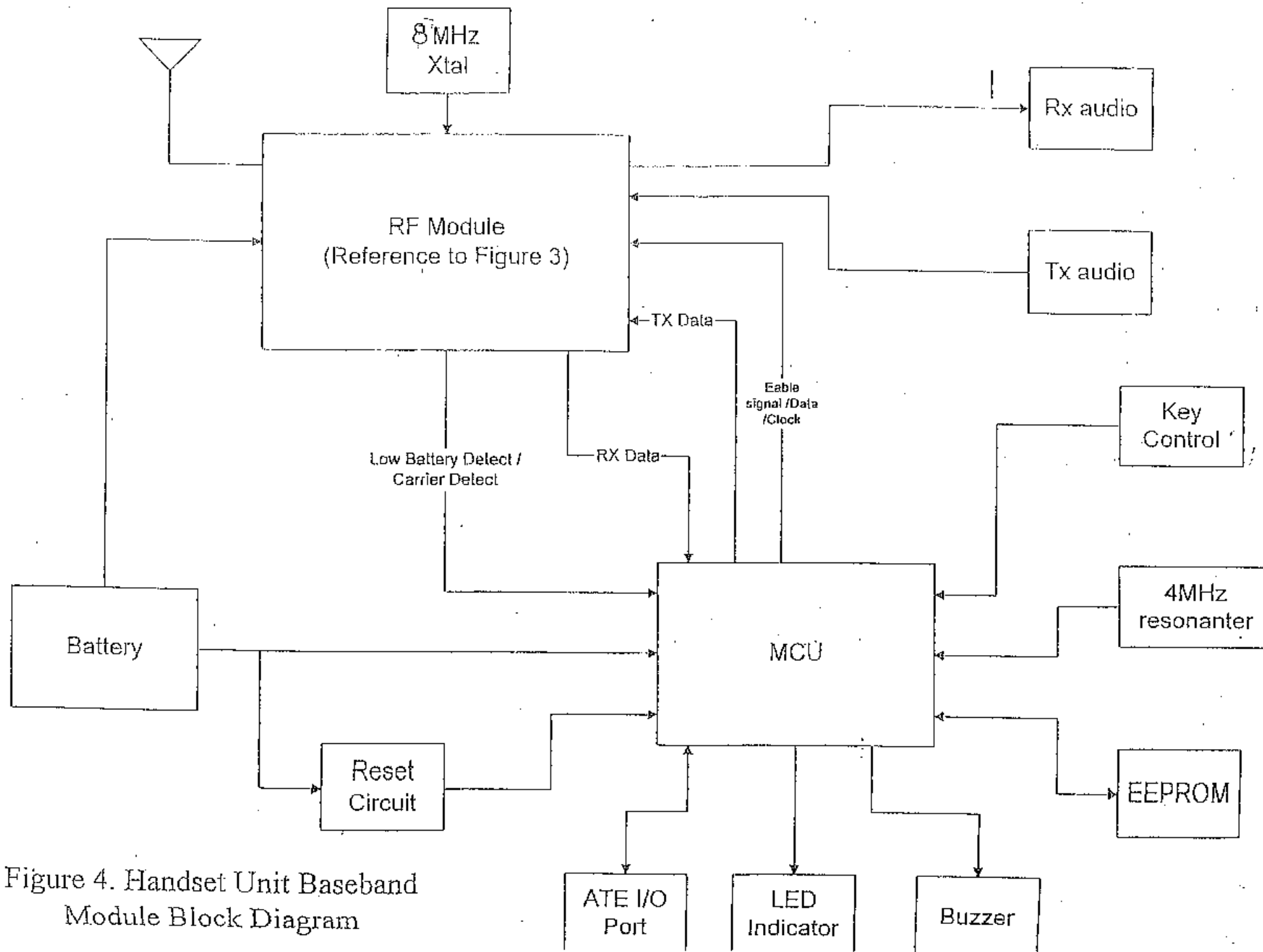


Figure 4. Handset Unit Baseband Module Block Diagram