

VTech Telecommunications Ltd.

Application
For
47 CFR Part 15 Certification
RSS-213 Issue 2 Equipment Certification

Unlicensed Personal Communication Service Devices/
2 GHz License-exempt Personal Communications Service Devices

FCC ID: EW780-H014-00

**Model: S1420, S1410, S1310, S1320, C3400, C3500, CL-901S-XXIP,
CL-902S-XXIP, CL-901S-00IP, CL-902S-00IP, CL-T01S-01IP, CL-T02S-01IP,
CL-901S-LCIP, CL-902S-LCIP**

IC: 1135B-80H01400

**Model: C3400, CL-901S-00IP, C3500, CL-902S-00IP, CL-901S-LCIP,
CL-902S-LCIP, S1410, S1420, S1310, CL-T01S-01IP, S1320, CL-T02S-01IP,
CL-901S-01IP, CL-901S-02IP, CL-901S-03IP, CL-901S-04IP, CL-901S-05IP,
CL-901S-06IP, CL-901S-07IP, CL-901S-08IP, CL-901S-09IP, CL-901S-10IP,
CL-902S-01IP, CL-902S-02IP, CL-902S-03IP, CL-902S-04IP, CL-902S-05IP,
CL-902S-06IP, CL-902S-07IP, CL-902S-08IP, CL-902S-09IP, CL-902S-10IP**

Test Report Number: HK11010230-1

Issue Date: April 06, 2011

MN/ss

- The test report only allows to be revised within the retention period unless further standard or the requirement was noticed.
- This report is for the exclusive use of Intertek's Client and is provided pursuant to the agreement between Intertek and its Client. Intertek's responsibility and liability are limited to the terms and conditions of the agreement. Intertek assumes no liability to any party, other than to the Client in accordance with the agreement, for any loss, expense or damage occasioned by the use of this report. Only the Client is authorized to permit copying or distribution of this report and then only in its entirety. Any use of the Intertek name or one of its marks for the sale or advertisement of the tested material, product or service must first be approved in writing by Intertek. The observations and test results in this report are relevant only to the sample tested. This report by itself does not imply that the material, product, or service is or has ever been under an Intertek certification program.

Intertek Testing Services Hong Kong Ltd.

2/F., Garment Centre, 576 Castle Peak Road, Kowloon, Hong Kong.
Tel: (852) 2173 8888 Fax: (852) 2785 5487 Website: www.hk.intertek-etlsemko.com

INTERTEK TESTING SERVICES

Table of Contents

| | |
|-----------------------------------------------------------------------------|----|
| 1.0 Summary of Test Results | 4 |
| 2.0 General Description | 7 |
| 2.1 Product Description | 7 |
| 2.2 Technical Description | 8 |
| 2.3 Test Methodology | 8 |
| 2.4 Test Facility | 8 |
| 3.0 System Test Configuration | 10 |
| 3.1 Justification | 10 |
| 3.2 Conducted Emission Test Configuration | 11 |
| 3.3 Conducted Monitoring and Operational Test Configuration | 11 |
| 3.4 EUT Exercising Software | 11 |
| 3.5 Details of EUT and Description of Peripherals | 12 |
| 3.6 Measurement Uncertainty | 13 |
| 4.0 Measurement Results | 15 |
| 4.1 Antenna Requirement | 15 |
| 4.2 Digital Modulation Techniques | 15 |
| 4.3 Emission Bandwidth | 16 |
| 4.4 Directional Gain of the Antenna | 17 |
| 4.5 Peak Transmit Power | 18 |
| 4.6 Power Spectral Density | 19 |
| 4.7 Automatic Discontinuation of Transmission | 20 |
| 4.8 Unwanted Emission Inside the Sub-Band | 21 |
| 4.9 Emissions Outside the Sub-Band | 23 |
| 4.9.1 Radiated Emissions Configuration Photographs | 24 |
| 4.9.2 Radiated Emissions Data | 24 |
| 4.9.3 Field Strength Calculation | 33 |
| 4.9.4 Average Factor Calculation and Transmitter ON Time Measurements | 34 |
| 4.10 Radiated Emissions from Receiver | 35 |
| 4.10.1 Radiated Emission Configuration Photographs | 36 |
| 4.10.2 Radiated Emissions Data | 36 |
| 4.11 AC Power Line Conducted Emissions | 39 |
| 4.11.1 AC Power Line Conducted Emissions Configuration Photographs | 40 |
| 4.11.2 AC Power Line Conducted Emissions Data | 40 |
| 4.12 Radio Frequency Radiation Exposure | 41 |
| 4.13 Radio Frequency Exposure Compliance | 41 |
| 4.14 Frame Repetition Stability | 42 |
| 4.15 Frame Period and Jitter | 43 |
| 4.16 Carrier Frequency Stability | 44 |

INTERTEK TESTING SERVICES

Table of Contents

| | |
|-----------------------------------------------------------------|-----------|
| 4.17 Monitoring Threshold..... | 46 |
| 4.17.1 Lower Monitoring Threshold | 47 |
| 4.17.2.1 Upper Monitoring Threshold..... | 48 |
| 4.17.2.2 Least Interfered Channel (LIC) Selection | 49 |
| 4.17.2.3 Least Interfered Channel (LIC) Confirmation..... | 52 |
| 4.17.2.4 Maximum Spectrum Occupance | 52 |
| 4.18 Monitoring Time..... | 53 |
| 4.19 Maximum Transmit Period..... | 54 |
| 4.20 System Acknowledgement | 55 |
| 4.21 Random Waiting..... | 57 |
| 4.22 Monitoring Bandwidth | 58 |
| 4.23 Maximum Reaction Time..... | 60 |
| 4.24 Monitoring Antenna | 61 |
| 4.25 Duplex Connections | 62 |
| 4.26 Alternative Monitoring Interval for Co-located Device..... | 65 |
| 4.27 Fair Access..... | 66 |
| 5.0 Equipment List | 67 |
| Appendix – Exhibits of Application for Certification | |

INTERTEK TESTING SERVICES

**EXHIBIT 1
SUMMARY OF TEST RESULTS**

INTERTEK TESTING SERVICES

1.0 Summary of Test Results

VTech Telecommunications Ltd.

FCC ID: EW780-H014-00

MODEL: S1420, S1410, S1310, S1320, C3400, C3500, CL-901S-XXIP,
CL-902S-XXIP, CL-901S-00IP, CL-902S-00IP, CL-T01S-01IP,
CL-T02S-01IP, CL-901S-LCIP, CL-902S-LCIP

IC: 1135B-80H01400

Model: C3400, CL-901S-00IP, C3500, CL-902S-00IP, CL-901S-LCIP,
CL-902S-LCIP, S1410, S1420, S1310, CL-T01S-01IP, S1320, CL-T02S-01IP,
CL-901S-01IP, CL-901S-02IP, CL-901S-03IP, CL-901S-04IP, CL-901S-05IP,
CL-901S-06IP, CL-901S-07IP, CL-901S-08IP, CL-901S-09IP, CL-901S-10IP,
CL-902S-01IP, CL-902S-02IP, CL-902S-03IP, CL-902S-04IP, CL-902S-05IP,
CL-902S-06IP, CL-902S-07IP, CL-902S-08IP, CL-902S-09IP, CL-902S-10IP

General Technical Requirements

| Test Items | RSS-213 / RSS-Gen Clause | FCC Part 15 Section | Test Procedure ANSI C63.17 / ANSI C63.4 | Results | Details see section |
|----------------------------------------------------|--------------------------------|------------------------|--------------------------------------------------|---------|---------------------------|
| Antenna Requirement | 7.1.2 [#] | 15.317 | --- | Pass | 4.1 |
| Digital Modulation Techniques | 6.1 | 15.319(b) | 6.1.4 | Pass | 4.2 |
| Occupied/Emission Bandwidth | 6.4 | 15.323(a) | 6.1.3 | Pass | 4.3 |
| Directional Gain of the Antenna | 4.1(e) | 15.319(e) | 4.3.1 | Pass | 4.4 |
| Peak Transmit Power | 6.5 | 15.319(c) | 6.1.2 | Pass | 4.5 |
| Power Spectral Density | 6.6 | 15.319(d) | 6.1.5 | Pass | 4.6 |
| Automatic Discontinuation of Transmission | 4.3.4(a) | 15.319(f) | --- | Pass | 4.7 |
| Radiated Emissions from Receiver Portion of EUT | 6.8 | --- | 8 * | Pass | 4.10 |
| AC Power Line Conducted Emissions from EUT | 6.3 | 15.315 | 7 * | Pass | 4.11 |
| Radio Frequency Radiation Exposure | RSS-102 | 15.319(i) | --- | Pass | 4.12 4.13 |
| Security Code Information | 5 | --- | --- | Pass | 2.2 |

Test Engineer:



Simple Shum
Lead Engineer

Date: April 06, 2011

Approved By:



Nip Ming Fung, Melvin
Supervisor

Date: April 06, 2011

INTERTEK TESTING SERVICES

1.0 Summary of Test Results (continued)

| Specific Requirements for UPCS Device | | | | | |
|-------------------------------------------------------|----------------|---------------------|----------------------------|---------|---------------------|
| Test Items | RSS-213 Clause | FCC Part 15 Section | Test Procedure ANSI C63.17 | Results | Details see section |
| Unwanted Emission Inside the Sub-Band | 6.7.2 | 15.323(d) | 6.1.6.1 | Pass | 4.8 |
| Emissions Outside the Sub-Band | 6.7.1 | 15.323(d) | 6.1.6.2 | Pass | 4.9 |
| Frame Repetition Stability | 4.3.4(c) | 15.323(e) | 6.2.2 | Pass | 4.14 |
| Frame Period and Jitter | 4.3.4(c) | 15.323(e) | 6.2.3 | Pass | 4.15 |
| Carrier Frequency Stability | 6.2 | 15.323(f) | 6.2.1 | Pass | 4.16 |
| Lower Monitoring Threshold | 4.3.4(b2&b9) | 15.323(c2&c9) | 7.3.1 | NA | 4.17.1 |
| Upper Monitoring Threshold | 4.3.4(c5&c9) | 15.323(c5.1&c9) | 7.3.2 | Pass | 4.17.2.1 |
| Least Interfered Channel (LIC) Selection | 4.3.4(b5) | 15.323(c)(5) | 7.3.3 | Pass | 4.17.2.2 |
| Least Interfered Channel (LIC) Confirmation | 4.3.4(b5) | 15.323(c)(5) | 7.3.3 | Pass | 4.17.2.3 |
| Maximum Spectrum Occupancy | 4.3.4(b5) | 15.323(c)(5) | --- | Pass | 4.17.2.4 |
| Monitoring Time | 4.3.4(b1) | 15.323(c)(1) | 7.3.4 | Pass | 4.18 |
| Maximum Transmit Period | 4.3.4(b3) | 15.323(c)(3) | --- | Pass | 4.19 |
| System Acknowledgement | 4.3.4(b4) | 15.323(c4) | 8.1 or 8.2 | Pass | 4.20 |
| Random Waiting | 4.3.4(b6) | 15.323(c)(6) | 8.1.2 or 8.1.3 | Pass | 4.21 |
| Monitoring Bandwidth | 4.3.4(b7) | 15.323(c)(7) | 7.4 | Pass | 4.22 |
| Maximum Reaction Time | 4.3.4(b7) | 15.323(c)(7) | 7.5 | Pass | 4.23 |
| Monitoring Antenna | 4.3.4(b8) | 15.323(c)(8) | 4 | Pass | 4.24 |
| Duplex Connections | 4.3.4(b10) | 15.323(c)(10) | 8.3 | Pass | 4.25 |
| Alternative Monitoring Interval for Co-located Device | 4.3.4(b11) | 15.323(c)(11) | 8.4 | NA | 4.26 |
| Fair Access | 4.3.4(b12) | 15.323(c)(12) | --- | Pass | 4.27 |

Test Engineer:



Simple Shum
Lead Engineer

Date: April 06, 2011

Approved By:



Nip Ming Fung, Melvin
Supervisor

Date: April 06, 2011

INTERTEK TESTING SERVICES

**EXHIBIT 2
GENERAL DESCRIPTION**

INTERTEK TESTING SERVICES

2.0 General Description

2.1 Product Description

The S1420 is a 1.9GHz DECT SIP Cordless Phone with Speakerphone. It operates at frequency range of 1921.536MHz to 1928.448MHz with 5 channels (1921.536MHz, 1923.264MHz, 1924.992MHz, 1926.720MHz and 1928.448MHz). The Base Unit for S1420 is powered by Ethernet. The Handset is powered by a "Ni-MH" type rechargeable battery pack (2.4V 550mAh) and/or by the PoE cradle.

The antennas used in base unit and handset are integral, and the test sample is a prototype.

The Base Unit, for FCC approval, Model(s): S1410, CL-901S-XXIP, CL-902S-XXIP are the same as the Model: S1420 in electronics/electrical designs, including software & firmware, PCB layout and construction design/Physical design/Enclosure. The only differences between these models are cosmetic details and model number to be sold for marketing purpose. Moreover, Base Model: S1420 and CL-902S-XXIP have both Line 1 interface circuit and Line 2 interface circuit while Base models S1410 and CL-901S-XXIP removed all components of Line 2 interface circuit and Line 2 ringing circuit. Suffix (XX) indicates number of speed dial on the Base unit, where XX can be from 01 to 10.

The Base Unit, for IC approval, Model(S): S1410, CL-901S series (CL-901S-01IP to CL-901S-10IP), CL-902S series (CL-902S-01IP to CL-902S-10IP), are the same as the Model: S1420 in electronics/electrical designs, including software & firmware, PCB layout and construction design/Physical design/Enclosure. The only differences between these models are cosmetic details, model number and packing configuration, to be sold for marketing purpose. Moreover, Base Models: S1420 and CL-902S series have both Line 1 interface circuit and Line 2 interface circuit while Base model: S1410 and CL-901S series removed all components of Line 2 interface circuit and Line 2 ringing circuit.

The Handset, for FCC approval, The Model(s): S1410, CL-901S-XXIP, CL-902S-XXIP, C3400, CL-901S-00IP, C3500, CL-902S-00IP, CL-901S-LCIP, CL-902S-LCIP, S1310, CL-T01S-01IP, S1320, CL-T02S-01IP are the same as Handset Model: S1420 in electronics/electrical designs, including software & firmware, PCB layout and construction design/Physical design/Enclosure. The only differences between these models are cosmetic details and model number to be sold for marketing purpose. Moreover, Handset Model: S1420, CL-902S-XXIP, C3500, CL-902S-00IP, S1320, CL-T02S-01IP and CL-902S-LCIP are two lines handsets which have two key buttons for line one and line two accordingly, while Handset models S1410, CL-901S-XXIP, C3400, CL-901S-00IP, S1310, CL-901S-LCIP and CL-T01S-01IP are one line handsets which have one key button for line one only. Suffix (XX) indicates number of speed dial on the Handset, where XX can be from 01 to 10.

INTERTEK TESTING SERVICES

The Handset, for IC approval, The Model(s): S1410, CL-901S series (CL-901S-01IP to CL-901S-10IP), CL-902S series (CL-902S-01IP to CL-902S-10IP), C3400, CL-901S-00IP, C3500, CL-902S-00IP, CL-901S-LCIP, CL-902S-LCIP, S1310, CL-T01S-01IP, S1320, CL-T02S-01IP are the same as Handset Model: S1420 in electronics/electrical designs, including software & firmware, PCB layout and construction design/Physical design/Enclosure. The only differences between these models are cosmetic details and model number to be sold for marketing purpose. Moreover, Handset Model: S1420, CL-902S series, C3500, CL-902S-00IP, S1320, CL-T02S-01IP and CL-902S-LCIP are two lines handsets which have two key buttons for line one and line two accordingly, while Handset models S1410, CL-901S series, C3400, CL-901S-00IP, S1310, CL-901S-LCIP and CL-T01S-01IP are one line handsets which have one key button for line one only.

Handset Models: CL-T01S-01IP, CL-T02S-01IP, S1310 and S1320 are powered by the PoE cradle.

The RF modules of all Base Unit models are identical to model S1420 including RF algorithm.

The RF modules of all Handset models are identical to model S1420 including RF algorithm.

2.2 Technical Description

The circuit description and digital modulation techniques description are saved as filename: descri.pdf.

2.3 Test Methodology

The radiated emission measurements for unintentional radiator (if any) and AC power line-conducted emission measurements were performed according to the test procedures specified in ANSI C63.4 (2003). The radiated emission measurements for intentional radiator contained in UPCS device, conducted emission measurements, Listen Before Transmit (LBT) tests, Time Frame and Frequency Stability tests were performed according to the test procedures specified in ANSI C63.17 (2006). All radiated measurements were performed in Open Area Test Sites. Preliminary scans were performed in the Open Area Test Sites only to determine worst case modes. All radiated tests were performed at an antenna to EUT distance of 3 meters, unless stated otherwise in the "Justification Section" of this Application. All other measurements were made in accordance with the procedures in 47 CFR Part 2 / RSS-Gen Issue 3 (2010).

2.4 Test Facility

The open area test site and conducted measurement facility used to collect the emission data is located at Garment Centre, 576 Castle Peak Road, Kowloon, Hong Kong. This test facility and site measurement data have been fully placed on file with the FCC and the Industry Canada.

INTERTEK TESTING SERVICES

**EXHIBIT 3
SYSTEM TEST CONFIGURATION**

INTERTEK TESTING SERVICES

3.0 System Test Configuration

3.1 Justification

For emissions testing, the equipment under test (EUT) was set up to transmit continuously in burst mode with pseudo-random data to simplify the measurement methodology. Care was taken to ensure proper power supply voltages during testing. During testing, all cables (if any) were manipulated to produce worst-case emissions. The handset (if any) was powered by a fully charged battery.

For the measurements, the EUT was attached to a plastic stand if necessary and placed on the wooden turntable. If the base unit attached to accessories, they were connected and operational (as typical as possible).

The signal was maximized through rotation and placement in the three orthogonal axes. The antenna height and polarization were varied during the search for maximum signal level. The antenna height was varied from 1 to 4 meters. Detector function was in peak mode. Radiated emissions are taken at three meters unless the signal level was too low for measurement at that distance. If necessary, a pre-amplifier was used and/or the test was conducted at a closer distance.

For UPCS transmitter radiated measurement, the spectrum analyzer resolution bandwidth was approximately 1% of EUT emission bandwidth, unless otherwise specified.

For receiver radiated measurement, the spectrum analyzer resolution bandwidth was 1 MHz for measurement above 1 GHz while 100 kHz for measurement from 30 MHz to 1 GHz.

Radiated emission measurements for UPCS transmitter were performed from the lowest radio frequency signal generated in the device which is greater than 9 kHz to the tenth harmonic of the highest fundamental frequency or to 40 GHz, whichever is lower. Receiver was performed from 30 MHz to the fifth harmonic of the highest frequency or 40 GHz, whichever is lower.

As the base unit has 2 antennas, both have been checked. While conducting the test on one of antennas, another one was being disable its transmission. The data in this report represented the worst-case.

INTERTEK TESTING SERVICES

3.2 Conducted Emission Test Configuration

The setup and equipment setting were made in accordance with ANSI C63.17. The antenna of EUT transmitter was replaced by a coaxial cable. The impedance matching of connection, cable loss and external RF attenuator are taken into account. The EUT was arranged to communicate via a fixed carrier frequency between its transmitter and a companion device. The transmission was configured in burst mode with pseudo-random data as typical as normal operation.

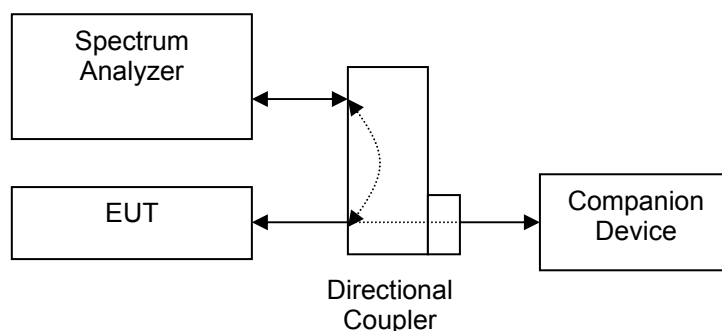


Figure 3.2.1

3.3 Conducted Monitoring and Operational Test Configuration

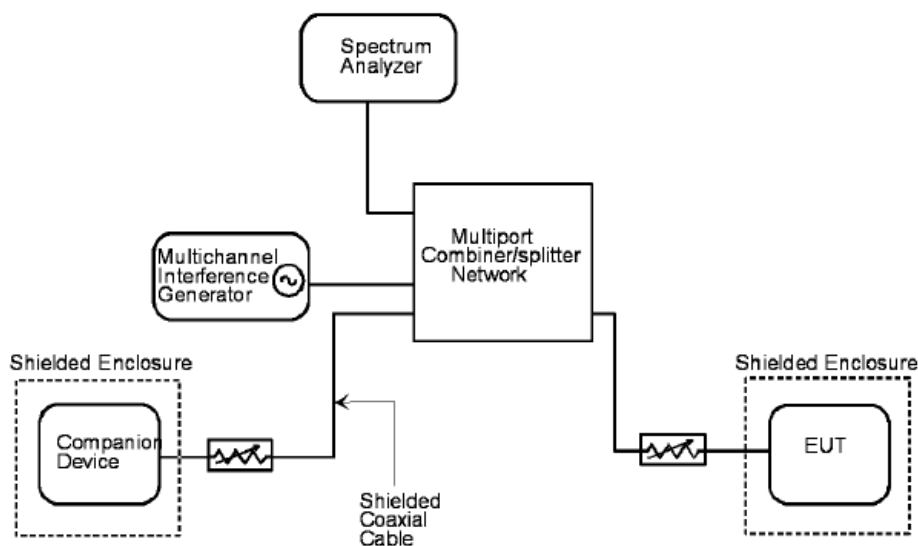


Figure 3.3.1

3.4 EUT Exercising Software

The EUT exercise program (if any) used during radiated and conducted testing was designed to exercise the various system components in a manner similar to a typical use.

INTERTEK TESTING SERVICES

3.5 Details of EUT and Description of Accessories

Details of EUT:

The Base Unit was powered by Ethernet and the Handset was powered by a battery (provided with the unit). Their description are listed below.

- (1) Handset: A "Ni-MH" type rechargeable battery pack (2.4V, 550mAh)
(Supplied by Client)

Description of Accessories:

- (1) SAMSUNG MP3 Player, Model: YP-Z5F, DoC Product (Supplied by Intertek)
- (2) PLANET PoE Inietor, Model: PoE-151, DoC Product (Supplied by Client)
- (3) Smartdrive External HardDisk, Model: HD3-SU2FW, S/N: 0800261, DoC Product (Supplied by Intertek)
- (4) HP Notebook, Model: CPQNC2400, S/N: CNF638276D, DoC Product (Supplied by Intertek)
- (5) WiFi Server, Model: IAD303+, S/N: 003 09/11 80-7665-00-00 (Supplied by Client)
- (6) 2 x USB cable with 1 meter long (Supplied by Intertek)
- (7) 3 x LAN cable with 3 meter long (Supplied by Client)
- (8) 1 x 1394 cable with 0.8 meter long (Supplied by Intertek)

INTERTEK TESTING SERVICES

3.6 Measurement Uncertainty

When determining of the test conclusion, the Measurement Uncertainty of test has been considered.

Uncertainty and Compliance - Unless the standard specifically states that measured values are to be extended by the measurement uncertainty in determining compliance, all compliance determinations are based on the actual measured value.

INTERTEK TESTING SERVICES

**EXHIBIT 4
MEASUREMENT RESULTS**

INTERTEK TESTING SERVICES

Company: VTech Telecommunications Ltd. Date of Test: January 25 to March 28, 2011
Model: S1420

4.0 **Measurement Results**

4.1 Antenna Requirement, FCC Rule 15.317 / RSS-Gen Clause 7.1.2:

EUT must meet the antenna requirement of FCC Rule 15.203 / RSS-Gen Clause 7.1.2.

EUT uses permanently attached antenna(s) which is considered sufficient to comply with the provisions of this rule. Please refer to internal photos.pdf for more details.

EUT uses unique antenna jack(s) or electrical connector(s) which is considered sufficient to comply with the provisions of this rule. Please refer to internal photos.pdf for more details.

4.2 Digital Modulation Techniques, FCC Rule 15.319(b) / RSS-213 Clause 6.1:

All transmissions must use only digital modulation techniques.

The requirements are made in accordance with ANSI C63.17 sub-clause 6.1.4.

Attestation:

Please refer to the technical description(descri.pdf) or relevant DECT standards for more details.

INTERTEK TESTING SERVICES

Company: VTech Telecommunications Ltd. Date of Test: January 25 to March 28, 2011
Model: S1420

4.3 Emission Bandwidth, FCC Rule 15.323(a) / Occupied Bandwidth, RSS-213 Clause 6.4:

Operation shall be contained within the 1920 – 1930 MHz band. The emission bandwidth (*B*) shall be less than 2.5 MHz and greater than 50 kHz.

Measurements are made in accordance with ANSI C63.17 sub-clause 6.1.3. Test setup is shown in section 3.2 Figure 3.2.1.

Test Results:

Ia. Base unit - Traffic Carrier

| Channel | Channel Frequency (MHz) | Measuring Signal Level | Measured Emission Bandwidth (MHz) | Results |
|---------|-------------------------|------------------------|-----------------------------------|---------|
| Lowest | 1921.536 | 26 dB down | 1.48 | Pass |
| Middle | 1924.992 | 20 dB down | 1.30 | Pass |
| Highest | 1928.448 | 26 dB down | 1.50 | Pass |

Ib. Base unit - Dummy Carrier

| Channel | Channel Frequency (MHz) | Measuring Signal Level | Measured Emission Bandwidth (MHz) | Results |
|---------|-------------------------|------------------------|-----------------------------------|---------|
| Lowest | 1921.536 | 26 dB down | 1.40 | Pass |
| Middle | 1924.992 | 20 dB down | 1.24 | Pass |
| Highest | 1928.448 | 26 dB down | 1.40 | Pass |

II. Handset - Traffic Carrier

| Channel | Channel Frequency (MHz) | Measuring Signal Level | Measured Emission Bandwidth (MHz) | Results |
|---------|-------------------------|------------------------|-----------------------------------|---------|
| Lowest | 1921.536 | 26 dB down | 1.51 | Pass |
| Middle | 1924.992 | 20 dB down | 1.30 | Pass |
| Highest | 1928.448 | 26 dB down | 1.51 | Pass |

The plots of emission bandwidth and occupied bandwidth and test frequency are saved as filename: bw.pdf

INTERTEK TESTING SERVICES

Company: VTech Telecommunications Ltd. Date of Test: January 25 to March 28, 2011
Model: S1420

4.4 Directional Gain of the Antenna, FCC Rule FCC 15.319(e) / RSS-213 Clause 4.1(e):

The peak transmit power shall be reduced by the amount in dB that the maximum directional gain of the antenna exceeds 3 dBi.

The requirements are made in accordance with ANSI C63.17 sub-clause 4.3.1 / RSS-213 Clause 4.1(e).

Manufacturer declares that the directional gain of the antenna is less than or equal to 3dBi. No peak transmit power reduction is required.

Manufacturer declares that the directional gain of the antenna is greater than 3dBi. The peak transmit power shall be reduced by _____ dB.

INTERTEK TESTING SERVICES

Company: VTech Telecommunications Ltd.
Model: S1420

Date of Test: January 25 to March 28, 2011

4.5 Peak Transmit Power, FCC Rule 15.319(c) / RSS-213 Clause 6.5:

The peak transmit power (P_{EUT}) shall not exceed $100\mu W$ multiplied by the square root of the emission bandwidth / occupied bandwidth (B) in Hz or $5 \log_{10} B - 10$ dBm. The peak transmit power shall be reduced by the amount in dB that the maximum directional gain of the antenna exceeds 3 dBi.

Measurements are made in accordance with ANSI C63.17 sub-clause 6.1.2. Test setup is shown in section 3.2 Figure 3.2.1. The cable loss and/or external attenuation are included in OFFSET function of spectrum analyzer.

Calculation of Peak Transmit Power Limit (P_{max}):

$$\begin{aligned} [\times] \quad P_{max} &= 5 \log_{10} B - 10 \text{ dBm} && \text{when } G_A \leq 3 \text{ dBi} \\ [] \quad P_{max} &= 5 \log_{10} B - 10 \text{ dBm} - (G_A - 3 \text{ dBi}) && \text{when } G_A > 3 \text{ dBi} \end{aligned}$$

Where G_A = EUT Antenna Gain0: 0 dBi for Base Unit
 G_A = EUT Antenna Gain1: 2 dBi for Base Unit
 G_A = EUT Antenna Gain: 0 dBi for Handset
 B = Measured Emission Bandwidth / Occupied Bandwidth

Test Results:

1a. Base unit - Traffic Carrier

| Channel | Channel Frequency (MHz) | Measured Peak Transmit Power (dBm) | Limit (dBm) | Results |
|---------|-------------------------|------------------------------------|-------------|---------|
| Lowest | 1921.536 | 20.33 | 20.85 | Pass |
| Middle | 1924.992 | 20.26 | 20.57 | Pass |
| Highest | 1928.448 | 20.17 | 20.88 | Pass |

1b. Base unit - Dummy Carrier

| Channel | Channel Frequency (MHz) | Measured Peak Transmit Power (dBm) | Limit (dBm) | Results |
|---------|-------------------------|------------------------------------|-------------|---------|
| Lowest | 1921.536 | 20.36 | 20.73 | Pass |
| Middle | 1924.992 | 20.29 | 20.47 | Pass |
| Highest | 1928.448 | 20.17 | 20.73 | Pass |

INTERTEK TESTING SERVICES

Company: VTech Telecommunications Ltd.
Model: S1420

Date of Test: January 25 to March 28, 2011

4.5 Peak Transmit Power, FCC Rule 15.319(c) / RSS-213 Clause 6.5: - Continued

II. Handset - Traffic Carrier

| Channel | Channel Frequency (MHz) | Measured Peak Transmit Power (dBm) | Limit (dBm) | Results |
|---------|-------------------------|------------------------------------|-------------|---------|
| Lowest | 1921.536 | 19.35 | 20.89 | Pass |
| Middle | 1924.992 | 19.32 | 20.57 | Pass |
| Highest | 1928.448 | 19.26 | 20.89 | Pass |

The plots of peak transmit power are saved as filename: peaktp.pdf

4.6 Power Spectral Density, FCC Rule 15.319(d) / RSS-213 Clause 6.6:

Power spectral density shall not exceed 3 mW (4.8dBm) in any 3 kHz bandwidth as measured with a spectrum analyzer having a resolution bandwidth of 3 kHz.

Measurements are made in accordance with ANSI C63.17 sub-clause 6.1.5. Test setup is shown in section 3.2 Figure 3.2.1.

Test Results:

Ia. Base unit - Traffic Carrier

| Channel | Channel Frequency (MHz) | Measured Power Spectral Density (dBm/3kHz) | Limit (dBm/3 kHz) | Results |
|---------|-------------------------|--------------------------------------------|-------------------|---------|
| Lowest | 1921.536 | -3.9 | 4.8 | Pass |
| Middle | 1924.992 | -4.9 | 4.8 | Pass |
| Highest | 1928.448 | -4.6 | 4.8 | Pass |

Ib. Base unit - Dummy Carrier

| Channel | Channel Frequency (MHz) | Measured Power Spectral Density (dBm/3kHz) | Limit (dBm/3 kHz) | Results |
|---------|-------------------------|--------------------------------------------|-------------------|---------|
| Lowest | 1921.536 | -7.4 | 4.8 | Pass |
| Middle | 1924.992 | -7.0 | 4.8 | Pass |
| Highest | 1928.448 | -8.4 | 4.8 | Pass |

INTERTEK TESTING SERVICES

Company: VTech Telecommunications Ltd.
Model: S1420

Date of Test: January 25 to March 28, 2011

4.6 Power Spectral Density, FCC Rule 15.319(d) / RSS-213 Clause 6.6: - Continued

II. Handset - Traffic Carrier

| Channel | Channel Frequency (MHz) | Measured Power Spectral Density (dBm/3kHz) | Limit (dBm/3 kHz) | Results |
|---------|-------------------------|--------------------------------------------|-------------------|---------|
| Lowest | 1921.536 | -4.3 | 4.8 | Pass |
| Middle | 1924.992 | -7.5 | 4.8 | Pass |
| Highest | 1928.448 | -9.8 | 4.8 | Pass |

The plots of the power spectral density are saved as filename: psd.pdf

4.7 Automatic Discontinuation of Transmission, FCC Rule 15.319(f) / RSS-213 Clause 4.3.4(a):

The EUT shall automatically discontinue transmission in case of either absence of information to transmit or operational failure. These provisions are not intended to preclude transmission of control and signaling information or use of repetitive codes used by certain digital technologies to complete frame or burst intervals.

The manufacturer declares that the EUT can automatically discontinue transmission in case of either absent information to transmit or operational failure. Please refer to the declaration letter (declaration.pdf) for details.

INTERTEK TESTING SERVICES

Company: VTech Telecommunications Ltd.
Model: S1420

Date of Test: January 25 to March 28, 2011

4.8 Unwanted Emission Inside the Sub-Band, FCC Rule 15.323(d) / RSS-213 Clause 6.7.2:

Emissions inside the sub-band must comply with the following emission mask:

1. In the bands between $1B$ and $2B$ measured from the center of the emission bandwidth, emission shall be at least 30 dB below the permitted peak transmit power.
2. In the bands between $2B$ and $3B$ measured from the center of the emission bandwidth, emission shall be at least 50 dB below the permitted peak transmit power.
3. In the bands between $3B$ and the band edge, emission shall be at least 60 dB below the permitted peak transmit power.

Where B = emission bandwidth or occupied bandwidth in Hz

Measurements are made in accordance with ANSI C63.17 sub-clause 6.1.6.1. Test setup is shown in section 3.2 Figure 3.2.1.

Test Results:

la. Base unit - Traffic Carrier

| Channel | Channel Frequency (MHz) | Results |
|---------|-------------------------|---------|
| Lowest | 1921.536 | Pass |
| Middle | 1924.992 | Pass |
| Highest | 1928.448 | Pass |

lb. Base unit - Dummy Carrier

| Channel | Channel Frequency (MHz) | Results |
|---------|-------------------------|---------|
| Lowest | 1921.536 | Pass |
| Middle | 1924.992 | Pass |
| Highest | 1928.448 | Pass |

INTERTEK TESTING SERVICES

Company: VTech Telecommunications Ltd.
Model: S1420

Date of Test: January 25 to March 28, 2011

4.8 Unwanted Emission Inside the Sub-Band, FCC Rule 15.323(d) / RSS-213 Clause 6.7.2: - Continued

II. Handset - Traffic Carrier

| Channel | Channel Frequency (MHz) | Results |
|---------|-------------------------|---------|
| Lowest | 1921.536 | Pass |
| Middle | 1924.992 | Pass |
| Highest | 1928.448 | Pass |

The plots of the unwanted emission inside the sub-band are saved as filename:
inband.pdf

INTERTEK TESTING SERVICES

Company: VTech Telecommunications Ltd. Date of Test: January 27 and March 04, 2011
 Model: S1420

4.9 Emissions Outside the Sub-Band, FCC Rule 15.323(d) / RSS-213 Clause 6.7.1:

Emissions outside the sub-band shall be attenuated below a reference power of 112 mW (20.5 dBm) as follows:

1. 30 dB between the band edge and 1.25 MHz above or below the band;
2. 50 dB between 1.25 and 2.5 MHz above or below the band; and
3. 60 dB at 2.5 MHz or greater above or below the band, or shall meet the requirement of FCC Rule 15.319(g) which shall not exceed the limits of FCC Rule 15.209 / RSS-210 Clause 2.5.

Example: Calculation of Limit for emissions between the band edge and 1.25 MHz (1920.000 – 1918.750 MHz)

The emissions shall not exceed the Limit: 20.5 dBm – 30 dB = -9.5 dBm

Measurements are made in accordance with ANSI C63.17 sub-clause 6.1.6.2. As EUT has non-detachable antenna(s), radiated emissions test method is used for out-of-band emissions tests. Emissions that are directly caused by digital circuits in the transmit path and transmitter portion are measured.

Test Results:

| Channel | Carrier Frequency (MHz) | Measured Band (MHz) | Limit (dBm) | Results |
|---------|-------------------------|-----------------------------------------|----------------------------------------------|---------|
| Lowest | 1921.536 | 1920.000 - 1918.750 | -9.5 | Pass |
| | | 1918.750 - 1917.500 | -29.5 | Pass |
| | | 0.009 - 1917.500 & 1932.500 - 19300.000 | -39.5 / FCC Rule 15.209 / RSS-210 Clause 2.5 | Pass |
| Highest | 1928.448 | 1930.000 - 1931.250 | -9.5 | Pass |
| | | 1931.250 - 1932.500 | -29.5 | Pass |
| | | 0.009 – 1917.500 & 1932.500 - 19300.000 | -39.5 / FCC Rule 15.209 / RSS-210 Clause 2.5 | Pass |

INTERTEK TESTING SERVICES

Company: VTech Telecommunications Ltd. Date of Test: January 27 and March 04, 2011
Model: S1420
Mode: Transmission

4.9.1 Radiated Emissions Configuration Photographs:

Worst Case Radiated Emission
at

Base Unit: 3856.896MHz

Handset: 3843.072MHz; 11529.216MHz

The worst case radiated emission configuration photographs are saved as filename:
config photos.pdf

4.9.2 Radiated Emissions Data:

Data are included of the worst case configuration (the configuration which resulted in the highest emission levels). A sample calculation, configuration photographs and data tables of the emissions are included. All measurements were performed with peak detection unless otherwise specified.

The data in table 1-8 list the significant emission frequencies, the limit and the margin of compliance.

Judgement:

Base Unit - Passed by 4.6 dB margin compared with average limit

Handset - Passed by 5.3 dB margin

INTERTEK TESTING SERVICES

Company: VTech Telecommunications Ltd.

Date of Test: March 04, 2011

Model: S1420

Mode: Transmission

Table 1, Base Unit

Radiated Emissions Data
Pursuant To FCC Part 15 Section 15.323 (d) / RSS-213 Clause 6.7.1
Emissions Requirements

Lowest Channel

| Polarization | Frequency (MHz) | Measured Power (dBm) | Power Limit (dBm) | Margin (dB) |
|--------------|-----------------|----------------------|-------------------|-------------|
| V | 1919.477 | -40.9 | -9.5 | -31.4 |
| V | 1918.703 | -48.8 | -29.5 | -19.3 |
| V | 1917.210 | -52.9 | -39.5 | -13.4 |

NOTES:

1. Peak detector is used for the emission measurement.
2. All measurements were made at 3 meters.
3. Negative value in the margin column shows emission below limit.

INTERTEK TESTING SERVICES

Company: VTech Telecommunications Ltd.
Model: S1420
Mode: Transmission

Date of Test: March 04, 2011

Table 2, Base Unit

Radiated Emissions Data Pursuant To FCC Part 15 Section 15.209 / RSS-210 Clause 2.5 Emissions Requirements

Lowest Channel

| Polarization | Frequency (MHz) | Reading (dBuV) | Pre-Amp Gain (dB) | Antenna Factor (dB) | Net at 3m - Peak (dBuV/m) | Average Factor (dB) | Calculated at 3m (dBuV/m) | Average Limit at 3m (dBuV/m) | Margin (dB) |
|--------------|-----------------|----------------|-------------------|---------------------|---------------------------|---------------------|---------------------------|------------------------------|-------------|
| H | 3843.072 | 62.5 | 33 | 33.3 | 62.8 | 13.6 | 49.2 | 54.0 | -4.8 |
| V | 5764.608 | 50.1 | 33 | 36.6 | 53.7 | 13.6 | 40.1 | 54.0 | -13.9 |
| H | 7686.144 | 52.3 | 33 | 38.9 | 58.2 | 13.6 | 44.6 | 54.0 | -9.4 |
| H | 9607.680 | 51.0 | 33 | 40.4 | 58.4 | 13.6 | 44.8 | 54.0 | -9.2 |
| V | 11529.216 | 52.9 | 33 | 40.5 | 60.4 | 13.6 | 46.8 | 54.0 | -7.2 |

| Polarization | Frequency (MHz) | Reading (dBuV) | Pre-Amp Gain (dB) | Antenna Factor (dB) | Net at 3m - Peak (dBuV/m) | Peak Limit at 3m (dBuV/m) | Margin (dB) |
|--------------|-----------------|----------------|-------------------|---------------------|---------------------------|---------------------------|-------------|
| H | 3843.072 | 62.5 | 33 | 33.3 | 62.8 | 74.0 | -11.2 |
| V | 5764.608 | 50.1 | 33 | 36.6 | 53.7 | 74.0 | -20.3 |
| H | 7686.144 | 52.3 | 33 | 38.9 | 58.2 | 74.0 | -15.8 |
| H | 9607.680 | 51.0 | 33 | 40.4 | 58.4 | 74.0 | -15.6 |
| V | 11529.216 | 52.9 | 33 | 40.5 | 60.4 | 74.0 | -13.6 |

NOTES:

1. Peak detector is used for the emission measurement.
2. The resolution bandwidth of the spectrum analyzer was set 100 kHz and 1 MHz for spurious emission measurements below 1 GHz and above 1 GHz respectively.
3. All measurements were made at 3 meters.
4. Negative value in the margin column shows emission below limit.

INTERTEK TESTING SERVICES

Company: VTech Telecommunications Ltd.

Date of Test: March 04, 2011

Model: S1420

Mode: Transmission

Table 3, Base Unit

Radiated Emissions Data
Pursuant To FCC Part 15 Section 15.323 (d) / RSS-213 Clause 6.7.1
Emissions Requirements

Highest Channel

| Polarization | Frequency (MHz) | Measured Power (dBm) | Power Limit (dBm) | Margin (dB) |
|--------------|-----------------|----------------------|-------------------|-------------|
| V | 1930.090 | -40.4 | -9.5 | -30.9 |
| V | 1931.344 | -49.2 | -29.5 | -19.7 |
| V | 1933.004 | -53.4 | -39.5 | -13.9 |

NOTES:

1. Peak detector is used for the emission measurement.
2. All measurements were made at 3 meters.
3. Negative value in the margin column shows emission below limit.

INTERTEK TESTING SERVICES

Company: VTech Telecommunications Ltd.
Model: S1420
Mode: Transmission

Date of Test: March 04, 2011

Table 4, Base Unit

Radiated Emissions Data Pursuant To FCC Part 15 Section 15.209 / RSS-210 Clause 2.5 Emissions Requirements

Highest Channel

| Polarization | Frequency (MHz) | Reading (dBuV) | Pre-Amp Gain (dB) | Antenna Factor (dB) | Net at 3m - Peak (dBuV/m) | Average Factor (dB) | Calculated at 3m (dBuV/m) | Average Limit at 3m (dBuV/m) | Margin (dB) |
|--------------|-----------------|----------------|-------------------|---------------------|---------------------------|---------------------|---------------------------|------------------------------|-------------|
| H | 3856.896 | 62.7 | 33 | 33.3 | 63.0 | 13.6 | 49.4 | 54.0 | -4.6 |
| V | 5785.344 | 49.7 | 33 | 36.6 | 53.3 | 13.6 | 39.7 | 54.0 | -14.3 |
| H | 7713.792 | 52.0 | 33 | 38.9 | 57.9 | 13.6 | 44.3 | 54.0 | -9.7 |
| H | 9642.240 | 51.6 | 33 | 40.4 | 59.0 | 13.6 | 45.4 | 54.0 | -8.6 |
| V | 11570.688 | 53.3 | 33 | 40.5 | 60.8 | 13.6 | 47.2 | 54.0 | -6.8 |

| Polarization | Frequency (MHz) | Reading (dBuV) | Pre-Amp Gain (dB) | Antenna Factor (dB) | Net at 3m - Peak (dBuV/m) | Peak Limit at 3m (dBuV/m) | Margin (dB) |
|--------------|-----------------|----------------|-------------------|---------------------|---------------------------|---------------------------|-------------|
| H | 3856.896 | 62.7 | 33 | 33.3 | 63.0 | 74.0 | -11.0 |
| V | 5785.344 | 49.7 | 33 | 36.6 | 53.3 | 74.0 | -20.7 |
| H | 7713.792 | 52.0 | 33 | 38.9 | 57.9 | 74.0 | -16.1 |
| H | 9642.240 | 51.6 | 33 | 40.4 | 59.0 | 74.0 | -15.0 |
| V | 11570.688 | 53.3 | 33 | 40.5 | 60.8 | 74.0 | -13.2 |

NOTES:

1. Peak detector is used for the emission measurement.
2. The resolution bandwidth of the spectrum analyzer was set 100 kHz and 1 MHz for spurious emission measurements below 1 GHz and above 1 GHz respectively.
3. All measurements were made at 3 meters.
4. Negative value in the margin column shows emission below limit.

INTERTEK TESTING SERVICES

Company: VTech Telecommunications Ltd.

Date of Test: March 04, 2011

Model: S1420

Mode: Talk by Cordless Handset (3-way conference) + USB Charging + PC data transfer

Table 5, Base Unit

Radiated Emissions Data
Pursuant To FCC Part 15 Section 15.323 (d) / RSS-213 Clause 6.7.1
Emissions Requirements

| Polarization | Frequency (MHz) | Measured Power (dBm) | Power Limit (dBm) | Margin (dB) |
|--------------|-----------------|----------------------|-------------------|-------------|
| V | 60.000 | -60.3 | -39.5 | -20.8 |
| V | 134.800 | -64.6 | -39.5 | -25.1 |
| V | 197.001 | -61.4 | -39.5 | -21.9 |
| H | 165.891 | -58.4 | -39.5 | -18.9 |
| H | 283.310 | -52.8 | -39.5 | -13.3 |
| H | 288.185 | -58.1 | -39.5 | -18.6 |
| H | 321.411 | -53.9 | -39.5 | -14.4 |
| H | 331.779 | -52.4 | -39.5 | -12.9 |
| H | 342.147 | -56.4 | -39.5 | -16.9 |
| H | 373.252 | -55.8 | -39.5 | -16.3 |
| H | 404.355 | -56.6 | -39.5 | -17.1 |
| H | 456.195 | -57.4 | -39.5 | -17.9 |
| V | 559.875 | -53.3 | -39.5 | -13.8 |
| V | 580.608 | -53.4 | -39.5 | -13.9 |
| H | 622.083 | -56.4 | -39.5 | -16.9 |
| H | 725.763 | -56.1 | -39.5 | -16.6 |
| H | 787.972 | -56.3 | -39.5 | -16.8 |
| H | 860.547 | -56.0 | -39.5 | -16.5 |
| H | 922.748 | -57.4 | -39.5 | -17.9 |

NOTES:

1. Peak detector is used for the emission measurement.
2. All measurements were made at 3 meters.
3. Negative value in the margin column shows emission below limit.

INTERTEK TESTING SERVICES

Company: VTech Telecommunications Ltd.
Model: S1420
Mode: Transmission

Date of Test: January 27, 2011

Table 6, Handset

**Radiated Emissions Data
Pursuant To FCC Part 15 Section 15.323 (d) / RSS-213 Clause 6.7.1
Emissions Requirements**

Lowest Channel

| Polarization | Frequency (MHz) | Measured Power (dBm) | Power Limit (dBm) | Margin (dB) |
|--------------|-----------------|----------------------|-------------------|-------------|
| H | 1919.903 | -39.4 | -9.5 | -29.9 |
| H | 1918.008 | -48.9 | -29.5 | -19.4 |
| H | 1917.400 | -53.5 | -39.5 | -14.0 |
| V | 3843.072 | -44.8 | -39.5 | -5.3 |
| H | 5764.608 | -48.4 | -39.5 | -8.9 |
| H | 7686.144 | -49.1 | -39.5 | -9.6 |
| H | 9607.680 | -47.5 | -39.5 | -8.0 |
| H | 11529.216 | -44.8 | -39.5 | -5.3 |

NOTES:

1. Peak detector is used for the emission measurement.
2. All measurements were made at 3 meters.
3. Negative value in the margin column shows emission below limit.

INTERTEK TESTING SERVICES

Company: VTech Telecommunications Ltd.
Model: S1420
Mode: Transmission

Date of Test: January 27, 2011

Table 7, Handset

Radiated Emissions Data
Pursuant To FCC Part 15 Section 15.323 (d) / RSS-213 Clause 6.7.1
Emissions Requirements

Highest Channel

| Polarization | Frequency (MHz) | Measured Power (dBm) | Power Limit (dBm) | Margin (dB) |
|--------------|-----------------|----------------------|-------------------|-------------|
| H | 1930.799 | -38.8 | -9.5 | -29.3 |
| H | 1931.670 | -47.8 | -29.5 | -18.3 |
| H | 1932.885 | -51.8 | -39.5 | -12.3 |
| V | 3856.896 | -45.2 | -39.5 | -5.7 |
| H | 5785.344 | -48.7 | -39.5 | -9.2 |
| H | 7713.792 | -49.2 | -39.5 | -9.7 |
| H | 9642.240 | -48.0 | -39.5 | -8.5 |
| H | 11570.688 | -45.2 | -39.5 | -5.7 |

NOTES:

1. Peak detector is used for the emission measurement.
2. All measurements were made at 3 meters.
3. Negative value in the margin column shows emission below limit.

INTERTEK TESTING SERVICES

Company: VTech Telecommunications Ltd.

Date of Test: January 27, 2011

Model: S1420

Mode: Talk (3-way conference call)

Table 8, Handset

**Radiated Emissions Data
Pursuant To FCC Part 15 Section 15.323 (d) / RSS-213 Clause 6.7.1
Emissions Requirements**

| Polarization | Frequency (MHz) | Measured Power (dBm) | Power Limit (dBm) | Margin (dB) |
|--------------|-----------------|----------------------|-------------------|-------------|
| V | 41.476 | -66.3 | -39.5 | -26.8 |
| V | 55.300 | -66.8 | -39.5 | -27.3 |
| H | 152.068 | -66.0 | -39.5 | -26.5 |
| H | 207.364 | -66.6 | -39.5 | -27.1 |
| H | 262.660 | -67.4 | -39.5 | -27.9 |
| H | 331.780 | -66.0 | -39.5 | -26.5 |

NOTES:

1. Peak detector is used for the emission measurement.
2. All measurements were made at 3 meters.
3. Negative value in the margin column shows emission below limit.

INTERTEK TESTING SERVICES

Company: VTech Telecommunications Ltd. Date of Test: January 27 and March 04, 2011
Model: S1420

4.9.3 Field Strength Calculation

The field strength is calculated by adding the reading on the Spectrum Analyzer to the factors associated with preamplifiers (if any), antennas, cables, pulse desensitization and average factors (when specified limit is in average and measurements are made with peak detectors). A sample calculation is included below.

$$FS = RA + AF + CF - AG + PD + AV$$

Where FS = Field Strength in dB μ V/m
 RA = Receiver Amplitude (including preamplifier) in dB μ V
 CF = Cable Attenuation Factor in dB
 AF = Antenna Factor in dB
 AG = Amplifier Gain in dB
 PD = Pulse Desensitization in dB
 AV = Average Factor in -dB

In the radiated emission table which follows, the reading shown on the data table may reflect the preamplifier gain. An example of the calculations, where the reading does not reflect the preamplifier gain, follows:

$$FS = RA + AF + CF - AG + PD + AV$$

Example

Assume a receiver reading of 62.0 dB μ V is obtained. The antenna factor of 7.4 dB and cable factor of 1.6 dB is added. The amplifier gain of 29.0 dB is subtracted. The pulse desensitization factor of the spectrum analyzer is 0.0 dB, and the resultant average factor is -10.0 dB. The net field strength for comparison to the appropriate emission limit is 32.0 dB μ V/m. This value in dB μ V/m is converted to its corresponding level in μ V/m.

RA = 62.0 dB μ V
AF = 7.4 dB
CF = 1.6 dB
AG = 29.0 dB
PD = 0.0 dB
AV = -10 dB

$$FS = 62.0 + 7.4 + 1.6 - 29.0 + 0.0 + (-10.0) = 32.0 \text{ dB}\mu\text{V/m}$$

$$\text{Level in } \mu\text{V/m} = \text{Common Antilogarithm } [(32.0 \text{ dB}\mu\text{V/m})/20] = 39.8 \mu\text{V/m}$$

INTERTEK TESTING SERVICES

Company: VTech Telecommunications Ltd.
Model: S1420

Date of Test: March 04, 2011

4.9.4 Average Factor Calculation and Transmitter ON Time Measurements, FCC Rule 15.35(b, c) / RSS-Gen cl 4.5

Base Unit: (For 4 handsets operation with dummy)

Duty Cycle (DC) = Maximum ON time in 10ms/24(time slot)
= (4x1+1ms)/24

Average Factor (AF) = 20 log (DC)
= 20* log (0.21)
= -13.6 dB

[] The EUT antenna output port was connected to the input of the spectrum analyzer. The analyzer center frequency was set to EUT RF channel carrier. The SPAN function on the analyzer was set to ZERO. The transmitter ON time was determined from the resultant time-amplitude display:

Please refer to the attached plots for more details:

The plots of Transmitter ON Time Measurements are saved as filename: txon.pdf

[] Please refer to the attached transmitter timing diagram that are provided by manufacturer

[] Not applicable - No average factor is required.

[x] Please refer to Technical Description (descri.pdf) for more details

INTERTEK TESTING SERVICES

Company: VTech Telecommunications Ltd. Date of Test: January 27 and March 04, 2011
Model: S1420

4.10 Radiated Emissions from Receiver, RSS-213 Clause 6.8

The receiver portion is subject to the requirements of RSS-Gen Clause 6 and the radiated emission shall not exceed the limits of Table 2 in RSS-Gen Clause 6.

Measurements are made in accordance with ANSI C63.4 sub-clause 8. Radiated emissions shall be measured with EUT operating in typical operation modes.

INTERTEK TESTING SERVICES

Company: VTech Telecommunications Ltd. Date of Test: January 27 and March 04, 2011
Model: S1420
Mode: Receiving

4.10.1 Radiated Emission Configuration Photographs:

Worst Case Radiated Emission
at

Base Unit: 19258.560MHz

Handset: 14443.920MHz

The worst case radiated emission configuration photographs are saved as filename: config photos.pdf.

4.10.2 Radiated Emissions Data:

Data are included of the worst-case configuration (the configuration which resulted in the highest emission levels). A sample calculation, configuration photographs and data tables of the emissions are included. All measurements were performed with peak detection unless otherwise specified.

The data in table 9-10 list the significant emission frequencies, the limit and the margin of compliance.

Judgement:

Base Unit: Passed by 2.4 dB margin

Handset: Passed by 4.0 dB margin

INTERTEK TESTING SERVICES

Company: VTech Telecommunications Ltd.

Date of Test: March 04, 2011

Model: S1420

Mode: Receiving

Table 9, Base Unit

Radiated Emissions Data Pursuant To RSS-213 Clause 6.8 Emissions Requirements

Middle Channel

| Polarization | Frequency (MHz) | Reading (dBUV) | Pre-amp (dB) | Antenna Factor (dB) | Net at 3m (dBUV/m) | Limit at 3m (dBUV/m) | Margin (dB) |
|--------------|-----------------|----------------|--------------|---------------------|--------------------|----------------------|-------------|
| V | 3851.712 | 38.5 | 33 | 33.3 | 38.8 | 54.0 | -15.2 |
| V | 7703.424 | 36.2 | 33 | 38.9 | 42.1 | 54.0 | -11.9 |
| V | 11555.136 | 38.3 | 33 | 40.5 | 45.8 | 54.0 | -8.2 |
| V | 15406.848 | 39.5 | 33 | 42.5 | 49.0 | 54.0 | -5.0 |
| V | 19258.560 | 46.7 | 33 | 37.9 | 51.6 | 54.0 | -2.4 |

NOTES:

1. Peak detector is used for the emission measurement.
2. The resolution bandwidth of the spectrum analyzer shall be 100kHz for spurious emission measurements below 1.0GHz and 1.0MHz for measurements above 1.0GHz.
3. All measurements were made at 3 meters.
4. Negative value in the margin column shows emission below limit.

INTERTEK TESTING SERVICES

Company: VTech Telecommunications Ltd.
Model: S1420
Mode: Receiving

Date of Test: January 27, 2011

Table 10, Handset

Radiated Emissions Data Pursuant To RSS-213 Clause 6.8 Emissions Requirements

Middle Channel

| Polarization | Frequency (MHz) | Reading (dBuV) | Pre-amp (dB) | Antenna Factor (dB) | Net at 3m (dBµV/m) | Limit at 3m (dBµV/m) | Margin (dB) |
|--------------|-----------------|----------------|--------------|---------------------|--------------------|----------------------|-------------|
| V | 2888.784 | 47.2 | 33 | 30.4 | 44.6 | 54.0 | -9.4 |
| V | 5777.568 | 40.2 | 33 | 36.6 | 43.8 | 54.0 | -10.2 |
| V | 8666.352 | 39.1 | 33 | 39.5 | 45.6 | 54.0 | -8.4 |
| V | 11555.136 | 40.3 | 33 | 40.5 | 47.8 | 54.0 | -6.2 |
| V | 14443.920 | 41.3 | 33 | 41.7 | 50.0 | 54.0 | -4.0 |

NOTES:

1. Peak detector is used for the emission measurement.
2. The resolution bandwidth of the spectrum analyzer shall be 100kHz for spurious emission measurements below 1.0GHz and 1.0MHz for measurements above 1.0GHz.
3. All measurements were made at 3 meters.
4. Negative value in the margin column shows emission below limit.

INTERTEK TESTING SERVICES

Company: VTech Telecommunications Ltd.
Model: S1420

Date of Test: January 25, 2011

4.11 AC Power Line Conducted Emissions, FCC Rule 15.315 / RSS-213 Clause 6.3:

The AC power line conducted emission shall not exceed the limits of FCC Rule 15.207 / Table 4 in RSS-Gen Clause 7.2.4.

Measurements are made in accordance with ANSI C63.4 sub-clause 7. Emissions that are directly caused by digital circuits in the transmit path and transmitter portion are measured.

Not applicable – EUT is only powered by battery for operation.

EUT connects to AC power line. Emission Data is listed in following pages.

Base Unit connects to AC power line and has transmission. Handset connects to AC power line but has no transmission. Emission Data of Base Unit is listed in following pages.

INTERTEK TESTING SERVICES

Company: VTech Telecommunications Ltd.

Date of Test: January 25, 2011

Model: S1420

Mode: Standby Mode - PC's AC Mains

4.11.1 AC Power Line Conducted Emissions Configuration Photographs:

Worst Case AC Power Line Conducted Emission
at

Base Unit: 11.184MHz

The worst case AC power Line conducted emission configuration photographs are saved as filename: config photos.pdf

4.11.2 AC Power Line Conducted Emissions Data:

The data on the following pages list the significant emission frequencies, the limit, and the margin of compliance.

Judgment:

Base unit: Passed by 16.04 dB margin compared with average limit

The worst case AC power line conducted emission data are saved as filename: conduct.pdf

INTERTEK TESTING SERVICES

Company: VTech Telecommunications Ltd.
Model: S1420

Date of Test: January 25 to March 28, 2011

4.12 Radio Frequency Radiation Exposure, FCC Rule 15.319(i):

EUT is subject to the radio frequency exposure requirements specified in FCC Rule §§ 1.1307(b), 2.1091 and 2.1093. It shall be considered to operate in a “general population / uncontrolled” environment.

[×] Handset unit: EUT was evaluated for Specific Absorption Rate (SAR) evaluation compliance according to OET Bulletin 65, Supplement C (Edition 01-01). It is in compliance with the SAR evaluation requirements. A SAR test report was submitted at same time and saved as SAR Report.pdf.

[×] Base unit: EUT was evaluated for Maximum Permissible Exposure (MPE) evaluation compliance according to OET Bulletin 65, Supplement C (Edition 01-01). The evaluation calculation results are saved as filename: RF exposure info.pdf.

4.13 Radio Frequency Exposure Compliance, RSS-102:

The Routine RF Exposure Evaluation, Routine SAR Evaluation and Declaration of RF Exposure Compliance are saved as filename: RF exposure.pdf

INTERTEK TESTING SERVICES

Company: VTech Telecommunications Ltd.
Model: S1420

Date of Test: January 25 to March 28, 2011

4.14 Frame Repetition Stability, FCC Rule 15.323(e) / RSS-213 Clause 4.3.4(c):

EUT implements Time Division Duplex (TDD) (not include TDMA) in order to support duplex connection on a given frequency carrier shall maintain a frame repetition rate whereby 3 x standard deviation of the frequency stability shall not exceed 50 ppm, not including a shift of the mean.

EUT uses Time Division Multiple Access (TDMA) in order to support multiple communication links on a given frequency carrier shall maintain a frame repetition rate whereby 3 x standard deviation of the frequency stability shall not exceed 10 ppm, not including a shift of the mean.

Measurements are made in accordance with ANSI C63.17 sub-clause 6.2.2. Test setup is shown in section 3.2 Figure 3.2.1. A spectrum analyzer measures the time duration between rising edges of two consecutive frames over a time period of at least 1000 frame periods. These measurement values are used to compute the 3 x standard deviation of the frequency stability.

Test Results:

I. Base unit

| Maximum Frame Repetition Stability (ppm) | Limit (ppm) | Results |
|------------------------------------------|-------------|---------|
| 0.04046 | ±10 | Pass |

II. Handset

| Maximum Frame Repetition Stability (ppm) | Limit (ppm) | Results |
|------------------------------------------|-------------|---------|
| 0.04046 | ±10 | Pass |

INTERTEK TESTING SERVICES

Company: VTech Telecommunications Ltd.
Model: S1420

Date of Test: January 25 to March 28, 2011

4.15 Frame Period and Jitter, FCC Rule 15.323(e) / RSS-213 Clause 4.3.4(c):

The frame period (a set of consecutive time slots in which the position of each time slot can be identified by reference to a synchronizing source) of EUT operating in these sub-bands shall be 20 ms or 10 ms/X where X is a positive whole number.

The jitter (time-related, abrupt, spurious variations in the duration of the frame interval) introduced at the two ends of such a communication link shall not exceed 25 μ s for any two consecutive transmissions. Transmissions shall be continuous in every time and spectrum window during the frame period defined for EUT.

Measurements are made in accordance with ANSI C63.17 sub-clause 6.2.3. Test setup is shown in section 3.2 Figure 3.2.1. A spectrum analyzer measures the time duration between the rising edges of two consecutive frames. The measurements are taken over 100,000 frames. These measurement values are used to compute mean value and the difference between any two consecutive frame periods. The mean value is the frame period.

Test Results:

I. Base unit

| Measured Maximum Jitter (μ s) | Limit (μ s) | Result |
|------------------------------------|------------------|--------|
| -0.1456 | ± 25 | Pass |

II. Handset

| Measured Maximum Jitter (μ s) | Limit (μ s) | Result |
|------------------------------------|------------------|--------|
| -0.2193 | ± 25 | Pass |

INTERTEK TESTING SERVICES

Company: VTech Telecommunications Ltd.
Model: S1420

Date of Test: January 25 to March 28, 2011

4.16 Carrier Frequency Stability, FCC Rule 15.323(f) / RSS-213 Clause 6.2:

The carrier frequency stability of EUT shall be maintained within +/-10 ppm at the following conditions:

1. Over 1 hour at nominal supply voltage and a temperature of +20 °C;
2. Over a variation in the primary supply voltage of 85 % to 115 % of nominal supply voltage at a temperature of +20 °C. This test does not apply to an EUT that is only powered by battery for operation;
3. Over a temperature variation of -20 °C to +50 °C or at extreme temperatures as declared by manufacturer, and at nominal supply voltage.

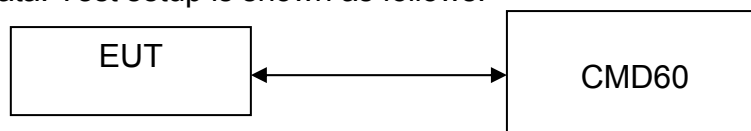
For base unit:

The nominal supply voltage: 115 VAC and the extreme temperatures of -20°C to +50°C are declared by manufacturer.

For handset:

The nominal supply voltage: 2.4 VDC and the extreme temperatures of -20°C to +50°C are/is declared by manufacturer.

Measurements are made in accordance with ANSI C63.17 sub-clause 6.2.1 The EUT and CMD60 is connected with shielded coaxial cable. The EUT is controlled by DECT Radio Communication Tester, CMD60, to use a fixed frequency channel during test as well as record the frequency offset. The transmission of EUT is in burst mode with pseudo-random data. Test setup is shown as follows.



Test Results:

I a. Carrier Frequency Stability over time - base unit

| Supply Voltage | Temperature (°C) | Measured Frequency Offset Over an hour (ppm) | | Limit (ppm) | Result |
|----------------|------------------|----------------------------------------------|-------|-------------|--------|
| | | Max. | Min. | | |
| Nominal | +20°C | 2.39 | -2.29 | ±10 | Pass |

I b. Carrier Frequency Stability over Power Supply Voltage - base unit

| Supply Voltage | Temperature (°C) | Measured Frequency Offset (ppm) | Limit (ppm) | Results |
|----------------|------------------|---------------------------------|-------------|---------|
| 85% | +20°C | 2.90 | ±10 | Pass |
| 115% | +20°C | 1.86 | ±10 | Pass |

INTERTEK TESTING SERVICES

Company: VTech Telecommunications Ltd.
Model: S1420

Date of Test: January 25 to March 28, 2011

4.16 Carrier Frequency Stability, FCC Rule 15.323(f) / RSS-213 Clause 6.2: -Continued

I c. Carrier Frequency Stability over Temperature - base unit

| Supply Voltage | Temperature (°C) | Measured Frequency Offset (ppm) | Limit (ppm) | Results |
|----------------|------------------|---------------------------------|-------------|---------|
| Nominal | -20°C | 3.42 | ±10 | Pass |
| Nominal | +50°C | -1.77 | ±10 | Pass |

II a. Carrier Frequency Stability over time - handset

| Supply Voltage | Temperature (°C) | Measured Frequency Offset Over an hour (ppm) | | Limit (ppm) | Result |
|----------------|------------------|----------------------------------------------|-------|-------------|--------|
| | | Max. | Min. | | |
| Nominal | +20°C | 0.13 | -0.39 | ±10 | Pass |

II b. Carrier Frequency Stability over Power Supply Voltage - handset

| Supply Voltage | Temperature (°C) | Measured Frequency Offset (ppm) | Limit (ppm) | Results |
|----------------|------------------|---------------------------------|-------------|---------|
| 85% | +20°C | NA | ±10 | NA |
| 115% | +20°C | NA | ±10 | NA |

II c. Carrier Frequency Stability over Temperature -handset

| Supply Voltage | Temperature (°C) | Measured Frequency Offset (ppm) | Limit (ppm) | Results |
|----------------|------------------|---------------------------------|-------------|---------|
| Nominal | -20°C | -0.91 | ±10 | Pass |
| Nominal | +50°C | 0.12 | ±10 | Pass |

INTERTEK TESTING SERVICES

Company: VTech Telecommunications Ltd.
Model: S1420

Date of Test: January 25 to March 28, 2011

4.17 Monitoring Threshold:

Monitoring threshold can be relaxed according to FCC Rule 15.323(c)(9) / RSS-213 Clause 4.3.4(b)(9). EUT that has a power output lower than the maximum permitted under FCC Rule 15.319(c) / RSS-213 Clause 6.5 may increase their monitoring detection threshold by one decibel for each one decibel that the transmitter power is below the maximum permitted.

Calculation of Monitoring Threshold Limit:

$$\begin{aligned} \text{Monitoring Threshold } (T) &\leq -174 + 10 \log_{10} B + M + P_{\max} - P_{\text{EUT}} \text{ dBm} \\ &\leq 15 \log_{10} B - 184 + M - P_{\text{EUT}} \text{ dBm} \end{aligned}$$

Where B = Measured Emission Bandwidth or Occupied Bandwidth of base unit - FCC: 1.40×10^6 Hz IC: 1.24×10^6 Hz
 B = Measured Emission Bandwidth or Occupied Bandwidth of handset - FCC: 1.51×10^6 Hz IC: 1.30×10^6 Hz
 M = 30 dB for Lower Monitoring Threshold (T_L), or
= 50 dB for Upper Monitoring Threshold (T_U)
 P_{\max} = $5 \log_{10} B - 10$ dBm
 P_{EUT} = Measured Peak Transmit Power of base unit - FCC: 20.36dBm
IC: 20.29dBm
 P_{EUT} = Measured Peak Transmit Power of handset - FCC: 19.35dBm
IC: 19.32dBm

Calculated Monitoring Threshold Limits:

I. Base unit

| | FCC | IC |
|---------------------------------------------------|-------|-------|
| Lower Monitoring Threshold ($T_L + U_M$) in dBm | -76.2 | -76.9 |
| Upper Monitoring Threshold ($T_U + U_M$) in dBm | -56.2 | -56.9 |

II. Handset

| | FCC | IC |
|---------------------------------------------------|-------|-------|
| Lower Monitoring Threshold ($T_L + U_M$) in dBm | -74.7 | -75.6 |
| Upper Monitoring Threshold ($T_U + U_M$) in dBm | -54.7 | -55.6 |

NA - Not applicable

INTERTEK TESTING SERVICES

Company: VTech Telecommunications Ltd.
Model: S1420

Date of Test: January 25 to March 28, 2011

4.17.1 Lower Monitoring Threshold, FCC Rule 15.323(c)(2) / RSS-213 Clause 4.3.4(b)(2):

- Not applicable – EUT which supports at least of 40 duplex system access channels and implements Least Interfered Channel (LIC) algorithm is permitted to use an upper monitoring threshold. Please refer to the section 4.17.2 for more details.
- The lower monitoring threshold must not be more than 30 dB above the thermal noise power for a bandwidth equivalent to the emission bandwidth used by EUT.

Measurements are made in accordance with ANSI C63.17 sub-clause 7.3.1. Test setup is shown in section 3.3 Figure 3.3.1. The test is performed on the carrier closest to center of the band. RF signal generators apply uniform CW interference on all EUT carriers each at level $T_L + U_M + 10$ dB. Then, the interference level is reduced uniformly on all carriers until the EUT can transmit. The interference level shall be lower than or equal to the threshold limit.

Test Results:

I. Base unit

| Measured Maximum Interference Level (dBm) | Lower Monitoring Threshold Limit (dBm) ($T_L + U_M$) | | Results |
|-------------------------------------------|--------------------------------------------------------|-------|---------|
| | FCC | IC | |
| NA | -76.2 | -76.9 | NA |

II. Handset

| Measured Maximum Interference Level (dBm) | Lower Monitoring Threshold Limit (dBm) ($T_L + U_M$) | | Results |
|-------------------------------------------|--------------------------------------------------------|-------|---------|
| | FCC | IC | |
| NA | -74.7 | -75.6 | NA |

NA - Not applicable

INTERTEK TESTING SERVICES

Company: VTech Telecommunications Ltd.
 Model: S1420

Date of Test: January 25 to March 28, 2011

4.17.2 Least Interfered Channel, LIC, FCC Rule 15.323(c)(5) / RSS-213 Clause 4.3.4(b)(5):

[] Not implemented – EUT met lower monitoring threshold requirements. Please refer to the section 4.19.1 for more details

[x] If access to spectrum is not available as determined by section 4.17.1 and a minimum of 40 duplex system access channels are defined for the EUT, the time and spectrum windows with the lowest power level below a monitoring threshold of 50 dB above the thermal noise power determined for the emission bandwidth may be accessed

| | | |
|-------------------------------------------------|---|-----------|
| Number of duplex channels per frequency channel | = | <u>12</u> |
| Number of frequency channel | = | <u>5</u> |
| Total Duplex Channels | = | <u>60</u> |

Hence, the time and spectrum windows below upper monitoring threshold may be accessed.

4.17.2.1 Upper Monitoring Threshold, FCC Rule 15.323(c)(5) / RSS-213 Clause 4.3.4(b)(5):

Measurements are made in accordance with ANSI C63.17 sub-clause 7.3.2. Test setup is shown in section 3.3 Figure 3.3.1. The test is performed on the carrier closest to center of the band. RF signal generators apply uniform CW interference on all EUT carriers each at level $T_U + U_M + 10$ dB. Then, the interference level is reduced uniformly on all carriers until the EUT can transmit. The interference level shall be lower than or equal to the threshold limit.

Test Results:

I. Base unit

| Measured Maximum Interference Level (dBm) | Upper Monitoring Threshold Limit (dBm) ($T_U + U_M$) | | Results |
|-------------------------------------------|--------------------------------------------------------|-------|---------|
| | FCC | IC | |
| -75.9 | -56.2 | -56.9 | Pass |

INTERTEK TESTING SERVICES

Company: VTech Telecommunications Ltd.
Model: S1420

Date of Test: January 25 to March 28, 2011

4.17.2.1 Upper Monitoring Threshold, FCC Rule 15.323(c)(5) / RSS-213 Clause 4.3.4(b)(5): - Continued

II. Handset

| Measured Maximum Interference Level (dBm) | Upper Monitoring Threshold Limit (dBm) ($T_U + U_M$) | | Results |
|-------------------------------------------|--------------------------------------------------------|-------|---------|
| | FCC | IC | |
| -76.2 | -54.7 | -55.6 | Pass |

NA - Not applicable

4.17.2.2 Least Interfered Channel (LIC) Selection, FCC Rule 15.323(c)(5) / RSS-213 Clause 4.3.4(b)(5):

The criteria are specified in section 4.17.2. In addition, the power measurement resolution for this comparison must be accurate to within 6 dB.

Measurements are made in accordance with ANSI C63.17 sub-clause 7.3.3. Test setup is shown in section 3.3 Figure 3.3.1. RF signal generators apply uniform CW interference on all EUT carriers except two carriers (designated f_1 and f_2), each at level $T_U + U_M$. EUT can only transmit on these two carriers.

INTERTEK TESTING SERVICES

Company: VTech Telecommunications Ltd.
Model: S1420

Date of Test: January 25 to March 28, 2011

4.17.2.2 Least Interfered Channel (LIC) Selection, FCC Rule 15.323(c)(5) / RSS-213 Clause 4.3.4(b)(5): - Continued

Test Descriptions and Results:

I. LIC Procedure - Base unit

| | Test Descriptions | EUT transmits on | Results |
|---|--------------------------------------------------------------------------------------------------------------------------------------------------------------------------------------------------------------------------|------------------|---------|
| 1 | Apply interference on f_1 at level $T_L + U_M + 7$ dB. Apply interference on f_2 at level $T_L + U_M$. Initiate transmission. Verify transmission on f_2 . Terminate transmission. Repeat 5 times. | f_2 | Pass |
| 2 | Apply interference on f_1 at level $T_L + U_M$. Apply interference on f_2 at level $T_L + U_M + 7$ dB. Initiate transmission. Verify transmission on f_1 . Terminate transmission. Repeat 5 times. | f_1 | Pass |
| 3 | Apply interference on f_1 at level $T_L + U_M + 1$ dB. Apply interference on f_2 at level $T_L + U_M - 6$ dB. Initiate transmission. Verify transmission on f_2 . Terminate transmission. Repeat 5 times. | f_2 | Pass |
| 4 | Apply interference on f_1 at level $T_L + U_M - 6$ dB. Apply interference on f_2 at level $T_L + U_M + 1$ dB. Initiate transmission. Verify transmission on f_1 . Terminate transmission. Repeat 5 times. | f_1 | Pass |

NA - Not applicable

INTERTEK TESTING SERVICES

Company: VTech Telecommunications Ltd.
Model: S1420

Date of Test: January 25 to March 28, 2011

4.17.2.2 Least Interfered Channel (LIC) Selection, FCC Rule 15.323(c)(5) / RSS-213 Clause 4.3.4(b)(5): - Continued

Test Descriptions and Results:

II. LIC Procedure - Handset

| | Test Descriptions | EUT transmits on | Results |
|---|--------------------------------------------------------------------------------------------------------------------------------------------------------------------------------------------------------------------------|------------------|---------|
| 1 | Apply interference on f_1 at level $T_L + U_M + 7$ dB. Apply interference on f_2 at level $T_L + U_M$. Initiate transmission. Verify transmission on f_2 . Terminate transmission. Repeat 5 times. | f_2 | Pass |
| 2 | Apply interference on f_1 at level $T_L + U_M$. Apply interference on f_2 at level $T_L + U_M + 7$ dB. Initiate transmission. Verify transmission on f_1 . Terminate transmission. Repeat 5 times. | f_1 | Pass |
| 3 | Apply interference on f_1 at level $T_L + U_M + 1$ dB. Apply interference on f_2 at level $T_L + U_M - 6$ dB. Initiate transmission. Verify transmission on f_2 . Terminate transmission. Repeat 5 times. | f_2 | Pass |
| 4 | Apply interference on f_1 at level $T_L + U_M - 6$ dB. Apply interference on f_2 at level $T_L + U_M + 1$ dB. Initiate transmission. Verify transmission on f_1 . Terminate transmission. Repeat 5 times. | f_1 | Pass |

NA - Not applicable

INTERTEK TESTING SERVICES

Company: VTech Telecommunications Ltd.
Model: S1420

Date of Test: January 25 to March 28, 2011

4.17.2.3 Least Interfered Channel (LIC) Confirmation, FCC Rule 15.323(c)(5) / RSS-213 Clause 4.3.4(b)(5):

EUT utilizing the provision of FCC Rule 15.323(c)(5) / RSS-213 Clause 4.3.4(b)(5) must have monitored all access channels defined for its system within the last 10 s and must verify, within the 20 ms (40 ms for EUT designed to use a 20 ms frame period) immediately preceding actual channel access that the detected power of the selected time and spectrum windows is no higher than the previously detected value.

Measurements are made in accordance with ANSI C63.17 sub-clause 7.3.4. This test is performed in section 4.18 and 4.19.

Results:

The tests are reported in section 4.18 and 4.19.

4.17.2.4 Maximum Spectrum Occupancy, FCC Rule 15.323(c)(5) / RSS-213 Clause 4.3.4(b)(5):

No EUT or group of co-operating EUTs located within 1 meter of each other shall during any frame period occupy more than 6 MHz of aggregate bandwidth, or alternatively, more than one third of the time and spectrum windows defined by the EUT.

Attestation:

According to the technical description provided, the total number of the time and spectrum windows defined by the system is $5 \times 12 = 60$.

During any frame period, the maximum number of time and spectrum windows occupied by the system will be 12, which is less than one third of the time and spectrum windows defined by the system.

INTERTEK TESTING SERVICES

Company: VTech Telecommunications Ltd.
Model: S1420

Date of Test: January 25 to March 28, 2011

4.18 Monitoring Time, FCC Rule 15.323(c)(1) / RSS-213 Clause 4.3.4(b)(1):

Immediately prior to initiating transmission, EUT must monitor the combined time and spectrum windows in which they intend to transmit for a period of at least 10 ms for EUT designed to use a 10 ms or shorter frame period, or at least 20 ms for EUT designed to use a 20 ms frame period.

Measurements are made in accordance with ANSI C63.17 sub-clause 7.3.4. Test setup is shown in section 3.3 Figure 3.3.1. RF signal generators apply uniform CW interference on all system carriers except two carriers (designated f_1 and f_2), each at level $T_U + U_M$. EUT can only transmit on these two carriers.

Test Descriptions and Results:

I. Base unit

| | Test Descriptions | EUT transmits on | Results |
|---|----------------------------------------------------------------------------------------------------------------------------------------------------------------------------------------------------------------------------------------------|------------------|---------|
| 1 | Apply interference on f_1 at level $T_U + U_M$, and no interference on f_2 . Initiate transmission. Verify transmission on f_2 . Then, terminate transmission. | f_2 | Pass |
| 2 | Apply interference on f_2 at level $T_U + U_M$, and remove interference from f_1 immediately. Also immediately initiate transmission but is at least 20 ms after interference on f_2 is applied. Verify transmission on f_1 . | f_1 | Pass |

II. Handset

| | Test Descriptions | EUT transmits on | Results |
|---|----------------------------------------------------------------------------------------------------------------------------------------------------------------------------------------------------------------------------------------------|------------------|---------|
| 1 | Apply interference on f_1 at level $T_U + U_M$, and no interference on f_2 . Initiate transmission. Verify transmission on f_2 . Then, terminate transmission. | f_2 | Pass |
| 2 | Apply interference on f_2 at level $T_U + U_M$, and remove interference from f_1 immediately. Also immediately initiate transmission but is at least 20 ms after interference on f_2 is applied. Verify transmission on f_1 . | f_1 | Pass |

INTERTEK TESTING SERVICES

Company: VTech Telecommunications Ltd.
 Model: S1420

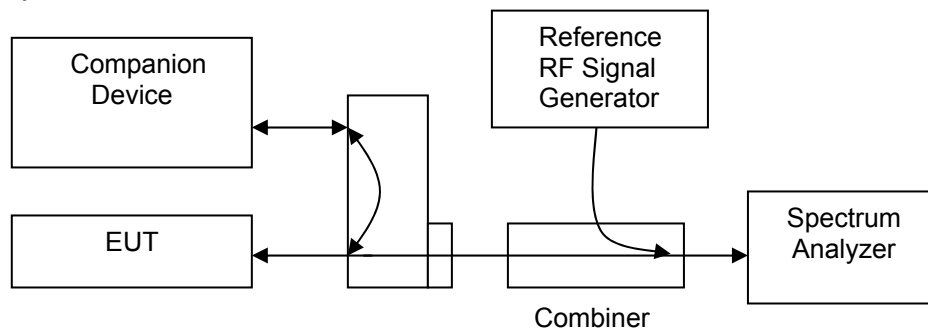
Date of Test: January 25 to March 28, 2011

4.19 Maximum Transmit Period, FCC Rule 15.323(c)(3) / RSS-213 Clause 4.3.4(b)(3):

If no signal above the threshold level is detected, transmission may commence and continue with the same emission bandwidth in the monitored time and spectrum windows without further monitoring. However, occupation of the same combined time and spectrum windows by a EUT or group of co-operating EUTs continuously over a period of time longer than 8 hours is not permitted without repeating the access criteria.

EUT establishes a communication channel with its companion device, which occupies the duplex pair combined time and spectrum windows. Reference RF signal generator synchronized with the sample and then generated a pulse as a time frame reference. The centre frequency of spectrum analyzer was set to the carrier frequency and the SPAN was set to ZERO. The spectrum analyzer was used to monitor the time (reference to the time signal) and spectrum of the communication channel. The occupied time or spectrum of the communication channel shall be changed over a period of time no longer than 8 hours. For a EUT with a frame period of 10/X ms, no more than 2,880,000 X frames should be transmitted without a break.

Test setup is shown as follows:



Test Results:

I. Base unit

| Measured Maximum Transmission Duration (minutes) | Limit (minutes) | Results |
|--------------------------------------------------|-----------------|---------|
| 50 | 480 | Pass |

II. Handset

| Measured Maximum Transmission Duration (minutes) | Limit (minutes) | Results |
|--------------------------------------------------|-----------------|---------|
| 50 | 480 | Pass |

INTERTEK TESTING SERVICES

Company: VTech Telecommunications Ltd.
Model: S1420

Date of Test: January 25 to March 28, 2011

4.20 System Acknowledgement, FCC Rule 15.323(c)(4) / RSS-213 Clause 4.3.4(b)(4):

Once access to specific combined time and spectrum windows is obtained an acknowledgment from a system participant must be received by the initiating transmitter within one second or transmission must cease. Periodic acknowledgments must be received at least every 30 seconds or transmission must cease. Channels used exclusively for control and signaling information may transmit continuously for 30 seconds without receiving an acknowledgment, at which time the access criteria must be repeated.

Measurements are made in accordance with ANSI C63.17 sub-clause 8.1.1 and 8.2.1. Test setup is shown in section 3.3 Figure 3.3.1.

Test Results:

I. Base Unit

[x] Timing for EUTs using control and signaling channel type transmissions:

| Conditions | Transmission Duration (seconds) | Limit (seconds) | Results |
|---------------------------------------|---------------------------------|-----------------|---------|
| Time needed to repeat access criteria | 1.28 | 30 | Pass |

[x] Timing for EUTs using communications channel type transmissions:

| Conditions | Transmission Duration (seconds) | Limit (seconds) | Results |
|--------------------------------------|---------------------------------|-----------------|---------|
| Activate EUT w/ companion device off | NA | 1 | NA |
| Time needed to cease Traffic Channel | 5 | 30 | Pass |

NA - Not applicable

INTERTEK TESTING SERVICES

Company: VTech Telecommunications Ltd.
Model: S1420

Date of Test: January 25 to March 28, 2011

4.20 System Acknowledgement, FCC Rule 15.323(c)(4) /
RSS-213 Clause 4.3.4(b)(4): - Continued

II. Handset

Timing for EUTs using control and signaling channel type transmissions:

| Conditions | Transmission Duration (seconds) | Limit (seconds) | Results |
|---------------------------------------|---------------------------------|-----------------|---------|
| Time needed to repeat access criteria | NA | 30 | NA |

Timing for EUTs using communications channel type transmissions:

| Conditions | Transmission Duration (seconds) | Limit (seconds) | Results |
|--------------------------------------|---------------------------------|-----------------|---------|
| Activate EUT w/ companion device off | 0 | 1 | Pass |
| Time needed to cease Traffic Channel | 4.78 | 30 | Pass |

NA - Not applicable

INTERTEK TESTING SERVICES

Company: VTech Telecommunications Ltd.
 Model: S1420

Date of Test: January 25 to March 28, 2011

4.21 Random Waiting, FCC Rule 15.323(c)(6) / RSS-213 Clause 4.3.4(b)(6):

If the selected combined time and spectrum windows are unavailable, the EUT may either monitor and select different windows or seek to use the same windows after waiting an amount of time, randomly chosen from a uniform random distribution between 10 and 150 ms, commencing when the channel becomes available.

Measurements are made in accordance with ANSI C63.17 sub-clause 8.1.2 or 8.1.3. Test setup is shown in section 3.3 Figure 3.3.1.

Test Results:

I. Base unit

Random Waiting is not implemented in the EUT:

| Conditions | Transmit Channel | Results |
|--------------------------------------------------|------------------|---------|
| Interference applied at operating Channel, f_1 | f_2 | Pass |

Random Waiting is implemented in the EUT:

| Maximum time interval from the end of interference to the start of the control channel | The distribution of the measured time intervals | Results |
|----------------------------------------------------------------------------------------|-------------------------------------------------|---------|
| NA | NA | NA |

II. Handset

Random Waiting is not implemented in the EUT:

| Conditions | Transmit Channel | Results |
|--------------------------------------------------|------------------|---------|
| Interference applied at operating Channel, f_1 | NA | NA |

Random Waiting is implemented in the EUT:

| Maximum time interval from the end of interference to the start of the control channel | The distribution of the measured time intervals | Results |
|----------------------------------------------------------------------------------------|-------------------------------------------------|---------|
| NA | NA | NA |

NA - Not applicable

INTERTEK TESTING SERVICES

Company: VTech Telecommunications Ltd.
Model: S1420

Date of Test: January 25 to March 28, 2011

4.22 Monitoring Bandwidth, FCC Rule 15.323(c)(7).1 / RSS-213 Clause 4.3.4(b)(7).1:

The monitoring bandwidth must be equal to or greater than the emission bandwidth/occupied bandwidth of the intended transmission.

Measurements are made in accordance with ANSI C63.17 sub-clause 7.4. Test setup is shown in section 3.3 Figure 3.3.1.

Attestation:

Monitoring bandwidth of the EUT is equal to the occupied bandwidth of the intended transmission. Monitoring is made through the radio receiver used by the EUT for communication. Please refer to the section 2.2 Technical Description for more details. Designed bandwidth refers to section 4.3 Emission Bandwidth / Occupied Bandwidth.

Compliance is demonstrated by Monitoring Bandwidth Tests as shown below.

Test Results:

la. Simple Compliance Test Results - Base unit

| Interference from Carrier | Reaction of EUT | Results |
|-------------------------------|-----------------|---------|
| -30% EBW / Occupied Bandwidth | NA | NA |
| +30% EBW / Occupied Bandwidth | NA | NA |

lb. Detailed Compliance Test Results - Base unit

| CW Interference from Carrier | Reaction of EUT | Results |
|------------------------------|-----------------|---------|
| + 6 dB | NA | NA |
| + 12 dB | NA | NA |
| - 6 dB | NA | NA |
| - 12 dB | NA | NA |

- A – Could Transmit
- B – Could not Transmit
- NA – Not applicable

*Remarks: Detailed Compliance Test was used to show the compliance of the EUT.

INTERTEK TESTING SERVICES

Company: VTech Telecommunications Ltd.
Model: S1420

Date of Test: January 25 to March 28, 2011

4.22 Monitoring Bandwidth, FCC Rule 15.323(c)(7).1 / RSS-213 Clause 4.3.4(b)(7).1: - Continued

Ila. Simple Compliance Test Results - Handset

| Interference from Carrier | Reaction of EUT | Results |
|-------------------------------|-----------------|---------|
| -30% EBW / Occupied Bandwidth | NA | NA |
| +30% EBW / Occupied Bandwidth | NA | NA |

Ilb. Detailed Compliance Test Results - Handset

| CW Interference from Carrier | Reaction of EUT | Results |
|------------------------------|-----------------|---------|
| + 6 dB | NA | NA |
| + 12 dB | NA | NA |
| - 6 dB | NA | NA |
| - 12 dB | NA | NA |

- A – Could Transmit
- B – Could not Transmit
- NA – Not applicable

*Remarks: Detailed Compliance Test was used to show the compliance of the EUT.

INTERTEK TESTING SERVICES

Company: VTech Telecommunications Ltd.
Model: S1420

Date of Test: January 25 to March 28, 2011

4.23 Maximum Reaction Time, FCC Rule 15.323(c)(7).2 / RSS-213 Clause 4.3.4(b)(7).2:

The monitoring system bandwidth must have a maximum reaction time less than $50 \times \text{SQRT}(1.25/\text{emission bandwidth } B \text{ in MHz}) \mu\text{s}$ for signals at the applicable threshold level but shall not be required to be less than $50 \mu\text{s}$. If a signal is detected that is 6 dB or more above the applicable threshold level, the maximum reaction time shall be $35 \times \text{SQRT}(1.25/\text{emission bandwidth } B \text{ in MHz}) \mu\text{s}$ but shall not be required to be less than $35 \mu\text{s}$.

Measurements are made in accordance with ANSI C63.17 sub-clause 7.5. Test setup is shown in section 3.3 Figure 3.3.1.

Test Results:

| | Test | Reaction of EUT | Results |
|---|-----------------------------------------------|-----------------|---------|
| 1 | With Interference Pulse = 50 μs | B | Pass |
| 2 | With Interference Pulse = 35 μs | B | Pass |

- A – Could be connected in at least one channel
- B – Could not be connected in all channels
- NA – Not applicable

INTERTEK TESTING SERVICES

Company: VTech Telecommunications Ltd.
Model: S1420

Date of Test: January 25 to March 28, 2011

4.24 Monitoring Antenna, FCC Rule 15.323(c)(8) / RSS-213 Clause 4.3.4(b)(8):

The monitoring system shall use the same antenna used for transmission, or an antenna that yields equivalent reception at that location.

- EUT uses the same antenna used for transmission and monitoring that is in compliance meet above provision.
- EUT uses difference antenna used for transmission and monitoring. It must be verified that the monitoring antenna provides coverage equivalent to that of the transmitting antenna. Measurements are made in accordance with ANSI C63.17 sub-clause 4.

INTERTEK TESTING SERVICES

Company: VTech Telecommunications Ltd.
Model: S1420

Date of Test: January 25 to March 28, 2011

4.25 Duplex Connections, FCC 15.323(c)(10) / RSS-213 Clause 4.3.4(b)(10):

An initiating device may attempt to establish a duplex connection by monitoring both its intended transmit (Tx) and receive (Rx) time and spectrum windows. If both the intended transmit and receive time and spectrum windows meet the access criteria, then the initiating device can initiate a transmission in the intended transmit time and spectrum window. If the power detected by the responding device can be decoded as a duplex connection signal from the initiating device, then the responding device may immediately begin transmitting on the receive time and spectrum window monitored by the initiating device.

Measurements are made in accordance with ANSI C63.17 sub-clause 8.3. Test setup is shown in section 3.3 Figure 3.3.1.

Attestation:

Base unit: The EUT is the initiating device of the duplex connection

Handset: The EUT is the initiating device of the duplex connection

Test Results:

la. Base unit

Dual Access Criteria Check for EUT not Implemented the Upper Threshold:

| Interference | Reaction of EUT | Results |
|------------------------------------------------|-----------------|---------|
| All Tx and Rx Window, except one for Rx Window | NA | NA |
| All Tx and Rx Window, except one for Tx Window | NA | NA |

A – Could be connected on the target Rx window and its duplex mate

B – Could be connected on the target Tx window and its duplex mate

C – Connected on window which is not the target Tx/Rx window

D – Could not be connected

NA – Not applicable

INTERTEK TESTING SERVICES

Company: VTech Telecommunications Ltd.
Model: S1420

Date of Test: January 25 to March 28, 2011

4.25 Duplex Connections, FCC 15.323(c)(10) /
RSS-213 Clause 4.3.4(b)(10): - Continued

Ib. Base unit

[X] Dual Access Criteria Check for EUT Implemented the Upper Threshold:

| Interference | Reaction of EUT | Results |
|--------------------------------------------------------------------------------------------------------------------------------------------------------------|-----------------|---------|
| All Tx windows with level $T_L + U_M$ & Rx windows with level $T_L + U_M + 7\text{dB}$, except one for Tx window & one for Rx window, which are not duplex. | NA | NA |
| All Tx windows with level $T_L + U_M + 7\text{dB}$ & Rx windows with level $T_L + U_M$, except one for Tx window & one for Rx, which are not duplex | NA | NA |
| All Tx & Rx windows with level $T_U + U_M$, except one for Tx window & one for Rx Window, which are not duplex | NA | NA |

- A – Could be connected on the target Rx window and its duplex mate
- B – Could be connected on the target Tx window and its duplex mate
- C – Connected on window which is not the target Tx/Rx window
- D – Could not be connected

NA – Not applicable

INTERTEK TESTING SERVICES

4.25 Duplex Connections, FCC 15.323(c)(10) / RSS-213 Clause 4.3.4(b)(10): - Continued

Ila. Handset

[] Dual Access Criteria Check for EUT not Implemented the Upper Threshold:

| Interference | Reaction of EUT | Results |
|------------------------------------------------|-----------------|---------|
| All Tx and Rx Window, except one for Rx Window | NA | NA |
| All Tx and Rx Window, except one for Tx Window | NA | NA |

Ilb. Handset

[×] Dual Access Criteria Check for EUT Implemented the Upper Threshold:

| Interference | Reaction of EUT | Results |
|--------------------------------------------------------------------------------------------------------------------------------------------------------------|-----------------|---------|
| All Tx windows with level $T_L + U_M$ & Rx windows with level $T_L + U_M + 7\text{dB}$, except one for Tx window & one for Rx window, which are not duplex. | A | Pass |
| All Tx windows with level $T_L + U_M + 7\text{dB}$ & Rx windows with level $T_L + U_M$, except one for Tx window & one for Rx, which are not duplex | B | Pass |
| All Tx & Rx windows with level $T_U + U_M$, except one for Tx window & one for Rx Window, which are not duplex | D | Pass |

- A – Could be connected on the target Rx window and its duplex mate
- B – Could be connected on the target Tx window and its duplex mate
- C – Connected on window which is not the target Tx/Rx window
- D – Could not be connected

NA – Not applicable

INTERTEK TESTING SERVICES

Company: VTech Telecommunications Ltd.
Model: S1420

Date of Test: January 25 to March 28, 2011

4.26 Alternative Monitoring Interval for Co-located Device, FCC Rule 15.323(c)(11) / RSS-213 Clause 4.3.4(b)(11):

An initiating device that is prevented from monitoring during its intended transmit window due to monitoring system blocking from the transmissions of a co-located (within one meter) transmitter of the same system, may monitor the portions of the time and spectrum windows in which they intend to receive over a period of at least 10 ms. The monitored time and spectrum window must total at least 50 % of the 10 ms frame interval and the monitored spectrum must be within the 1.25 MHz frequency channel(s) already occupied by that device or co-located co-operating devices. If the access criteria is met for the intended receive time and spectrum window under the above conditions, then transmission in the intended transmit window by the initiating device may commence.

Measurements are made in accordance with ANSI C63.17 sub-clause 8.4.

Attestation:

- [] Appropriate as it is co-located device, in which the monitoring system will be blocked from the transmissions of a co-located (Within one meter) transmitter of the same system. Please refer to attachment, 15.323(c)(11).pdf / RSS-213(b)(11).pdf, for details.
- [x] Not appropriate, as the system always monitor both the transmit and receive time/spectrum windows, it is not a co-located device.

INTERTEK TESTING SERVICES

Company: VTech Telecommunications Ltd.
Model: S1420

Date of Test: January 25 to March 28, 2011

4.27 Fair Access, FCC Rule 15.323(c)(12) / RSS-213 Clause 4.3.4(b)(12):

The provisions of FCC Rule 15.323(c)(10) or (c)(11) / RSS-213 Clause 4.3.4(b)(10) or (b)(11) shall not be used to extend the range of spectrum occupied over space or time for the purpose of denying fair access to spectrum to other devices.

Attestation:

The manufacturer declares that the device does not use any mechanisms as provided by Part 15.323(c)(10) or (c)(11) / RSS-213 Clause 4.3.4(b)(10) or (b)(11) to extend the range of spectrum occupied over space or time for the purpose of denying fair access to spectrum to other devices.

Please refer to the declaration letter (declaration.pdf).

INTERTEK TESTING SERVICES

5.0 Equipment List

1) Radiated Emissions Test

| | | | |
|----------------------|-------------------|----------------------|-------------------|
| Equipment | Biconical Antenna | Log Periodic Antenna | Spectrum Analyzer |
| Registration No. | EW-0954 | EW-0446 | EW-2188 |
| Manufacturer | EMCO | EMCO | AGILENTTECH |
| Model No. | 3104C | 3146 | E4407B |
| Calibration Date | Apr. 14, 2010 | Apr. 26, 2010 | Dec. 27, 2010 |
| Calibration Due Date | Oct. 14, 2011 | Oct. 26, 2011 | Aug. 09, 2011 |

| | | | |
|----------------------|-------------------|-------------------------|-------------------------|
| Equipment | EMI Test Receiver | Broad-Band Horn Antenna | Broad-Band Horn Antenna |
| Registration No. | EW-2251 | EW-1679 | EW-1679 |
| Manufacturer | R&S | SCHWARZBECK | SCHWARZBECK |
| Model No. | ESCI | BBHA9170 | BBHA9170 |
| Calibration Date | Oct. 22, 2009 | Feb. 17, 2010 | Mar. 03, 2011 |
| Calibration Due Date | Apr. 22, 2011 | Feb. 17, 2011 | Sep. 03, 2012 |

| | |
|----------------------|-----------------------------|
| Equipment | Double Ridged Guide Antenna |
| Registration No. | EW-1015 |
| Manufacturer | EMCO |
| Model No. | 3115 |
| Calibration Date | Feb. 09, 2010 |
| Calibration Due Date | Aug. 09, 2011 |

2) Conducted Emissions Test

| | | | |
|----------------------|------------------|---------------|-------------------|
| Equipment | Artificial Mains | Pulse Limiter | EMI Test Receiver |
| Registration No. | EW-0090 | EW-0699 | EW-2666 |
| Manufacturer | R&S | R&S | R&S |
| Model No. | ESH3-Z5 | ESH3-Z2 | ESCI7 |
| Calibration Date | Feb. 05, 2010 | Dec. 24, 2009 | Oct. 12, 2010 |
| Calibration Due Date | May. 05, 2011 | Jun. 24, 2011 | Oct. 12, 2011 |

INTERTEK TESTING SERVICES

5.0 Equipment List – continued

3) Conductive Measurement Test

| Equipment | Coaxial directional coupler | Spectrum Analyzer | Digital Radiocommunication Tester for DECT |
|----------------------|-----------------------------|-------------------|--------------------------------------------|
| Registration No. | EW-2337 | EW-2253 | EW-2250 |
| Manufacturer | MAGNA | R&S | R&S |
| Model No. | 4222-16 | FSP40 | CMD60 |
| Calibration Date | Nil* | Nov. 23, 2010 | Jun. 28, 2010 |
| Calibration Due Date | Nil* | Nov. 23, 2011 | Jun. 28, 2011 |

| Equipment | Vector Signal Generator | Digital Multimeter | Temperature & Humidity Chamber |
|----------------------|-------------------------|--------------------|--------------------------------|
| Registration No. | EW-2411 | EW-1237 | EW-2134 |
| Manufacturer | R&S | FLUKE | GIANT FORCE |
| Model No. | SMU200A | 179 | GTH-750-40-CP-SD |
| Calibration Date | Dec. 30, 2010 | Sep. 01, 2010 | Aug. 17, 2010 |
| Calibration Due Date | Nov. 30, 2011 | Oct. 01, 2011 | Aug. 29, 2011 |