



Valued Quality. Delivered.

TEST REPORT

Report Number: 16062056HKG-002

Application
for
Original of 47 CFR Part 15 Certification
New Family of RSS-210 Issue 8 Equipment Certification
SIP Conference Phone with Wireless mics – Base Unit
Bluetooth Portion

FCC ID: EW780-9783-00

IC: 1135B-80978300

Prepared and Checked by:

Approved by:

Signed on File

Leung Chiu Kuen, Stanley
Engineer

Koo Wai Ip
Assistant Supervisor
August 1, 2016

- Intertek's standard Terms and Conditions can be obtained at our website: <http://www.intertek.com/terms/>.
- The test report only allows to be revised within the retention period unless further standard or the requirement was noticed.
- This report is for the exclusive use of Intertek's Client and is provided pursuant to the agreement between Intertek and its Client. Intertek's responsibility and liability are limited to the terms and conditions of the agreement. Intertek assumes no liability to any party, other than to the Client in accordance with the agreement, for any loss, expense or damage occasioned by the use of this report. Only the Client is authorized to permit copying or distribution of this report and then only in its entirety. Any use of the Intertek name or one of its marks for the sale or advertisement of the tested material, product or service must first be approved in writing by Intertek. The observations and test results in this report are relevant only to the sample tested. This report by itself does not imply that the material, product, or service is or has ever been under an Intertek certification program.
- © 2016 Intertek

Intertek Testing Services Hong Kong Ltd.

2/F., Garment Centre, 576 Castle Peak Road, Kowloon, Hong Kong.
Tel: (852) 2173 8888 Fax: (852) 2785 5487 Website: www.hk.intertek-etlsemko.com

INTERTEK TESTING SERVICES

GENERAL INFORMATION

Applicant Name:	VTech Telecommunications Ltd.
Applicant Address:	23/F., Tai Ping Industrial Centre, Block 1, 57 Ting Kok Road, Tai Po, Hong Kong.
FCC Specification Standard:	FCC Part 15, October 1, 2014 Edition
FCC ID:	EW780-9783-00
FCC Model(s):	VCS752, VCS752 WM
IC Specification Standard:	RSS-210 Issue 8, December 2010 RSS-Gen Issue 4, November 2014
IC:	1135B-80978300
Base HVIN	VCS752
Mic HVIN	VCS752 WM
Type of EUT:	Transceiver
Description of EUT:	SIP Conference Phone with Wireless mics – Base Unit Bluetooth Portion
Serial Number:	N/A
Sample Receipt Date:	July 05, 2016
Date of Test:	July 07 - July 28, 2016
Report Date:	August 1, 2016
Environmental Conditions:	Temperature: +10 to 40°C Humidity: 10 to 90%

INTERTEK TESTING SERVICES

Table of Contents

1.0 Test Results Summary & Statement of Compliance	3
1.1 Summary of Test Results	3
1.2 Statement of Compliance	3
2.0 General Description	3
2.1 Product Description	3
2.2 Test Methodology	3
2.3 Test Facility	3
3.0 System Test Configuration	3
3.1 Justification	3
3.2 EUT Exercising Software	3
3.3 Radiated Emission Test Setup	3
3.4 Conducted Emission Test Setup	3
3.5 Details of EUT and Description of Accessories	3
3.6 Measurement Uncertainty	3
4.0 Test Results	3
4.1 Field Strength Calculation	3
4.2 Radiated Emissions	3
4.2.1 Radiated Emission Configuration Photograph	3
4.2.2 Radiated Emission Data	3
4.2.3 Transmitter Duty Cycle Calculation	3
4.3 Radiated Emission on the Bandedge	3
4.4 AC Power Line Conducted Emission	3
4.4.1 AC Power Line Conducted Emission Configuration Photograph	3
4.4.2 AC Power Line Conducted Emission Data	3
5.0 Equipment List	3

INTERTEK TESTING SERVICES

**EXHIBIT 1
TEST RESULTS SUMMARY & STATEMENT OF COMPLIANCE**

INTERTEK TESTING SERVICES

1.0 Test Results Summary & Statement of Compliance

1.1 Summary of Test Results

Test Items	FCC Part 15 Section	RSS-210/ RSS-Gen#/ RSS-310^ Section	Results	Details see section
Antenna Requirement	15.203	8.3 [#]	Pass	2.1
Security Code Information	15.214(d)	2.4	Pass	2.1
Radiated Emission	15.249(a), 209, & 109	A2.9(a)	Pass	4.2
Radiated Emission on the Bandedge	15.249(d)	A2.9(b)	Pass	4.3
Radiated Emission in Restricted Bands	15.205	2.2	Pass	4.2
AC Power Line Conducted Emission	15.207 & 15.107	8.8 [#]	Pass	4.4

Note: Pursuant to FCC Part 15 Section 15.215(c), the 20dB bandwidth of the emission was contained within the frequency band designated (mentioned as above) which the EUT operated. The effects, if any, from frequency sweeping, frequency hopping, other modulation techniques and frequency stability over expected variations in temperature and supply voltage were considered.

1.2 Statement of Compliance

The equipment under test is found to be complying with the following standards:

FCC Part 15, October 1, 2014 Edition
RSS-210 Issue 8, December 2010
RSS-Gen Issue 4, November 2014

INTERTEK TESTING SERVICES

**EXHIBIT 2
GENERAL DESCRIPTION**

INTERTEK TESTING SERVICES

2.0 General Description

2.1 Product Description

The VCS752 is a SIP Conference Phone with Wireless Mics – Base Unit Bluetooth Portion. Only Base Unit has Bluetooth feature and it operates at frequency range of 2402MHz to 2480MHz. The Base Unit is powered by an adaptor 100-240VAC to 9VDC 1500mA. With Bluetooth device registered and enabled, the Base Unit allows user to make or receive cellular phone calls via the cellular network. Two Bluetooth devices can be connected at the same time.

The Bluetooth antenna used in base unit is integral, and the test sample is a prototype.

The circuit description is saved with filename: descri.pdf.

2.2 Test Methodology

Both AC power line-conducted and radiated emission measurements were performed according to the procedures in ANSI C63.4 (2014) and ANSI C63.10 (2013). Preliminary radiated scans and all radiated measurements were performed in Radiated Emission Test Sites. All Radiated tests were performed at an antenna to EUT distance of 3 meters, unless stated otherwise in the "**Justification Section**" of this Application.

2.3 Test Facility

The radiated emission test sites and conducted measurement facility used to collect the radiated data and conducted data are at Workshop No. 3, G/F., World-Wide Industrial Centre, 43-47 Shan Mei Street, Fo Tan, Sha Tin, N.T., Hong Kong. This test facility and site measurement data have been fully placed on file with the FCC and IC No. 2042V.

INTERTEK TESTING SERVICES

**EXHIBIT 3
SYSTEM TEST CONFIGURATION**

INTERTEK TESTING SERVICES

3.0 System Test Configuration

3.1 Justification

For radiated emissions testing, the equipment under test (EUT) was setup to transmit continuously mode to simplify the measurement methodology. Care was taken to ensure proper power supply voltages during testing. During testing, all cables (if any) were manipulated to produce worst case emissions.

The Base Unit was powered by a 100-240VAC 50/60Hz 500mA to 9.0VDC 1500mA adaptor.

For the measurements, the EUT was attached to a plastic stand if necessary and placed on the wooden turntable which is four feet in diameter and approximately 0.8m in height above the ground plane for emission measurement at or below 1GHz and 1.5m in height above the ground plane for emission measurement above 1GHz. If the base unit attached to peripherals, they were connected and operational to simulate typical use. The handset was remotely located as far from the antenna and the base as possible to ensure full power transmission from the base. Else, the base was wired to transmit full power.

The signal was maximized through rotation and placement in the three orthogonal axes. The antenna height and polarization were varied during the search for maximum signal level. The antenna height was varied from 1 to 4 meters. Radiated emissions were taken at three meters unless the signal level was too low for measurement at that distance. If necessary, a pre-amplifier was used and/or the test was conducted at a closer distance.

For any intentional radiator powered by AC power line, measurements of the radiated signal level of the fundamental frequency component of the emission was performed with the supply voltage varied between 85% and 115% of the nominal rated supply voltage.

For transmitter radiated measurement, the spectrum analyzer resolution bandwidth was 100 kHz for frequencies below 1000 MHz. The resolution bandwidth was 1 MHz for frequencies above 1000 MHz.

Radiated emission measurement for transmitter was performed from the lowest radio frequency signal generated in the device which is greater than 9 kHz to the tenth harmonic of the highest fundamental frequency or to 40 GHz, whichever is lower.

Emission that are directly caused by digital circuits in the transmit path and transmitter portion were measured, and the limit are according to FCC Part 15 Section 15.209. Digital circuitry used to control additional functions other than the operation of the transmitter are subject to FCC Part 15 Section 15.109 Limits.

The DECT module was put into transmission mode when taking radiated emission data for determining worst-case spurious emission.

INTERTEK TESTING SERVICES

3.1 Justification - Cont'd

Detector function for radiated emissions is in peak mode. Average readings, when required, are taken by measuring the duty cycle of the equipment under test and subtracting the corresponding amount in dB from the measured peak readings. A detailed description for the calculation of the average factor can be found in section 4.2.3.

Determination of pulse desensitization was made according to *Hewlett Packard Application Note 150-2, Spectrum Analysis... Pulsed RF*. The effective period (Teff) was 625 μ s. With the resolution bandwidth 1MHz and spectrum analyzer IF bandwidth 3dB, the pulse desensitization factor was 0dB.

For AC line conducted emission test, the EUT along with its peripherals were placed on a 1.0m(W)x1.5m(L) and 0.8m in height wooden table and the EUT was adjusted to maintain a 0.4 meter space from a vertical reference plane. The EUT was connected to power mains through a line impedance stabilization network (LISN), which provided 50ohm coupling impedance for measuring instrument. The LISN housing, measuring instrument case, reference ground plane, and vertical ground plane were bounded together. The excess power cable between the EUT and the LISN was bundled.

All connecting cables of EUT and peripherals were manipulated to find the maximum emission.

All relevant operation modes have been tested, and the worst case data was included in this report.

3.2 EUT Exercising Software

The EUT exercise program used during radiated and conducted testing was designed to exercise the various system components in a manner similar to a typical use.

INTERTEK TESTING SERVICES

3.3 Radiated Emission Test Setup

The figure below shows the test setup, which is utilized to make these measurements.

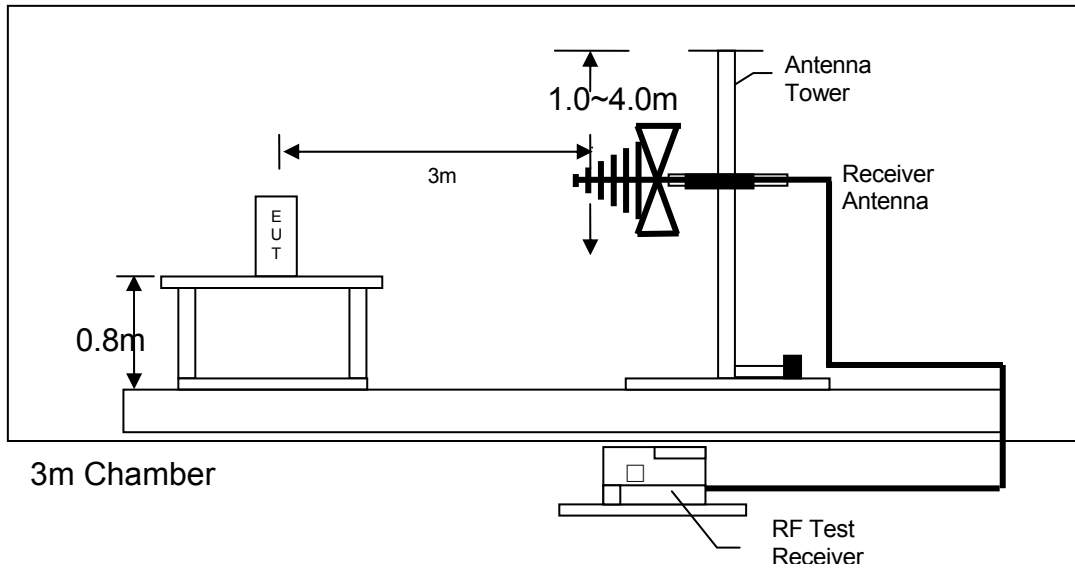


Figure 3.3.1 Test setup of radiated emissions up to 1GHz

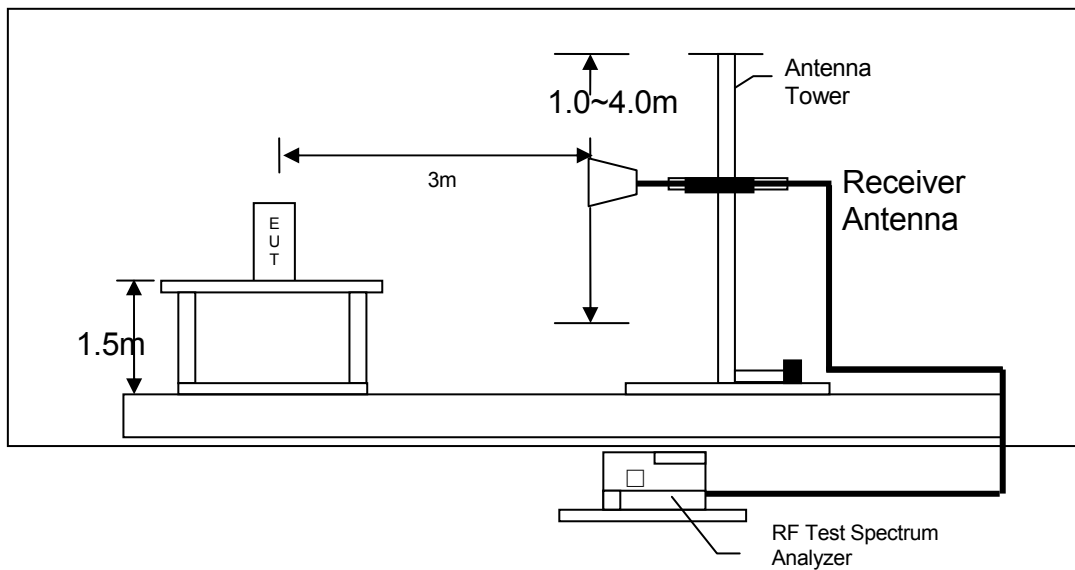


Figure 3.3.2 Test setup of radiated emissions above 1GHz

INTERTEK TESTING SERVICES

3.4 Conducted Emission Test Setup

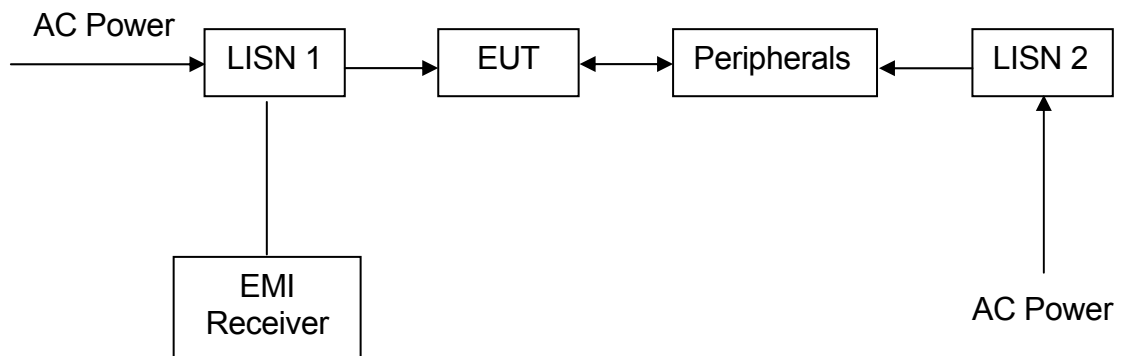


Figure 3.4.1

3.5 Details of EUT and Description of Accessories

Details of EUT:

An AC adaptor (provided with the unit) was used to power the device. Their description are listed below.

- (1) Base Unit: An AC adaptor (100-240VAC 50/60Hz 500mA to 9.0VDC 1500mA, Model: S018AGP0900150 Brand: Ten pao) (Supplied by Client)

Description of Accessories:

- (1) LAN (Ethernet) cable with RJ45 connectors (2m, unshielded), terminated (Supplied by Client)
- (2) AC Adaptor connector cable cable with RJ45 connectors (5.9m, unshielded) (Supplied by Client).
- (3) iphone 5c, Model: A1529, FCC ID: BCG-E2694A (Supplied by Intertek)
- (4) Mic unit, Model: VCS752, FCC ID: EW780-9783-00 (Supplied by Client)

3.6 Measurement Uncertainty

When determining of the test conclusion, the Measurement Uncertainty of test has been considered. The values of the Measurement uncertainty for radiated emission test, AC line conducted emission test and RF conducted test are $\pm 5.3\text{dB}$, $\pm 4.2\text{dB}$, $\pm 1\text{dB}$ respectively.

Uncertainty and Compliance - Unless the standard specifically states that measured values are to be extended by the measurement uncertainty in determining compliance, all compliance determinations are based on the actual measured value.

INTERTEK TESTING SERVICES

**EXHIBIT 4
TEST RESULTS**

INTERTEK TESTING SERVICES

4.0 Test Results

Data is included of the worst case configuration (the configuration which resulted in the highest emission levels). A sample calculation, configuration photographs and data tables of the emissions are included.

4.1 Field Strength Calculation

The field strength is calculated by adding the reading on the Spectrum Analyzer to the factors associated with preamplifiers (if any), antennas, cables, pulse desensitization and average factors (when specified limit is in average and measurements are made with peak detectors). A sample calculation is included below.

$$FS = RA + AF + CF - AG + PD + AV$$

where

- FS = Field Strength in dB μ V/m
- RA = Receiver Amplitude (including preamplifier) in dB μ V
- CF = Cable Attenuation Factor in dB
- AF = Antenna Factor in dB
- AG = Amplifier Gain in dB
- PD = Pulse Desensitization in dB
- AV = Average Factor in -dB

In the radiated emission table which follows, the reading shown on the data table may reflect the preamplifier gain. An example of the calculations, where the reading does not reflect the preamplifier gain, follows:

$$FS = RA + AF + CF - AG + PD + AV$$

Example

Assume a receiver reading of 62.0 dB μ V is obtained. The antenna factor of 7.4 dB and cable factor of 1.6 dB is added. The amplifier gain of 29 dB is subtracted. The pulse desensitization factor of the spectrum analyzer was 0 dB, and the resultant average factor was -10 dB. The net field strength for comparison to the appropriate emission limit is 32 dB μ V/m. This value in dB μ V/m was converted to its corresponding level in μ V/m.

RA = 62.0 dB μ V
AF = 7.4 dB
CF = 1.6 dB
AG = 29 dB
PD = 0 dB
AV = -10 dB
FS = 62 + 7.4 + 1.6 - 29 + 0 + (-10) = 32 dB μ V/m

Level in μ V/m = Common Antilogarithm [(32 dB μ V/m)/20] = 39.8 μ V/m

INTERTEK TESTING SERVICES

4.2 Radiated Emissions

4.2.1 Radiated Emission Configuration Photograph

Worst Case Radiated Emission
at

104.677 MHz

The worst case radiated emission configuration photographs are saved with filename: config photos.pdf

4.2.2 Radiated Emission Data

The data in tables 1-4 list the significant emission frequencies, the limit and the margin of compliance. Test setup is shown in section 3.3 Figure 3.3.1 and 3.3.2.

Judgement -

Passed by 0.8 dB

INTERTEK TESTING SERVICES

Mode: Bluetooth TX-Channel 00

Table 1

Radiated Emission Data

Polarization	Frequency (MHz)	Reading (dB μ V)	Pre-Amp Gain (dB)	Antenna Factor (dB)	Net at 3m - Peak (dB μ V/m)	Average Factor (dB)	Calculated at 3m (dB μ V/m)	Average Limit at 3m (dB μ V/m)	Margin (dB)
H	2402.000	101.9	33	29.4	98.3	24	74.3	94.0	-19.7
V	4804.000	48.6	33	34.9	50.5	24	26.5	54.0	-27.5
V	7206.000	40.3	33	37.9	45.2	24	21.2	54.0	-32.8
V	9608.000	40.2	33	40.4	47.6	24	23.6	54.0	-30.4
H	12010.000	42.3	33	40.5	49.8	24	25.8	54.0	-28.2
H	14412.000	19.7	33	40.0	50.7	24	26.7	54.0	-27.3

Polarization	Frequency (MHz)	Reading (dB μ V)	Pre-Amp Gain (dB)	Antenna Factor (dB)	Net at 3m - Peak (dB μ V/m)	Peak Limit at 3m (dB μ V/m)	Margin (dB)
H	2402.000	101.9	33	29.4	98.3	114.0	-15.7
V	4804.000	48.6	33	34.9	50.5	74.0	-23.5
V	7206.000	40.3	33	37.9	45.2	74.0	-28.8
V	9608.000	40.2	33	40.4	47.6	74.0	-26.4
H	12010.000	42.3	33	40.5	49.8	74.0	-24.2
H	14412.000	43.7	33	40.0	50.7	74.0	-23.3

- NOTES:
1. Peak detector is used for the emission measurement.
 2. All measurements were made at 3 meters. Radiated emissions not detected at the 3-meter distance were measured at 0.3-meter and an inverse proportional extrapolation was performed to compare the signal level to the 3-meter limit. No other radiated emissions than those reported were detected at a test distance of 0.3-meter.
 3. Negative value in the margin column shows emission below limit.
 4. Horn antenna is used for the emission over 1000MHz.
 5. Emission (the row indicated by **bold italic**) within the restricted band meets the requirement of FCC Part 15 Section 15.205 / RSS-210 Section 2.2.

INTERTEK TESTING SERVICES

Mode: Bluetooth TX-Channel 39

Table 2

Radiated Emission Data

Polarization	Frequency (MHz)	Reading (dB μ V)	Pre-Amp Gain (dB)	Antenna Factor (dB)	Net at 3m - Peak (dB μ V/m)	Average Factor (dB)	Calculated at 3m (dB μ V/m)	Average Limit at 3m (dB μ V/m)	Margin (dB)
H	2441.000	103.3	33	29.4	99.7	24	75.7	94.0	-18.3
V	4882.000	50.5	33	34.9	52.4	24	28.4	54.0	-25.6
V	7323.000	40.1	33	37.9	45.0	24	21.0	54.0	-33.0
V	9764.000	40.4	33	40.4	47.8	24	23.8	54.0	-30.2
H	12205.000	42.2	33	40.5	49.7	24	25.7	54.0	-28.3
H	14646.000	45.1	33	38.4	50.5	24	26.5	54.0	-27.5

Polarization	Frequency (MHz)	Reading (dB μ V)	Pre-Amp Gain (dB)	Antenna Factor (dB)	Net at 3m - Peak (dB μ V/m)	Peak Limit at 3m (dB μ V/m)	Margin (dB)
H	2441.000	103.3	33	29.4	99.7	114.0	-14.3
V	4882.000	50.5	33	34.9	52.4	74.0	-21.6
V	7323.000	40.1	33	37.9	45.0	74.0	-29.0
V	9764.000	40.4	33	40.4	47.8	74.0	-26.2
H	12205.000	42.2	33	40.5	49.7	74.0	-24.3
H	14646.000	45.1	33	38.4	50.5	74.0	-23.5

- NOTES:
1. Peak detector is used for the emission measurement.
 2. All measurements were made at 3 meters. Radiated emissions not detected at the 3-meter distance were measured at 0.3-meter and an inverse proportional extrapolation was performed to compare the signal level to the 3-meter limit. No other radiated emissions than those reported were detected at a test distance of 0.3-meter.
 3. Negative value in the margin column shows emission below limit.
 4. Horn antenna is used for the emission over 1000MHz.
 5. Emission (the row indicated by **bold italic**) within the restricted band meets the requirement of FCC Part 15 Section 15.205 / RSS-210 Section 2.2.

INTERTEK TESTING SERVICES

Mode: Bluetooth TX-Channel 78

Table 3

Radiated Emission Data

Polarization	Frequency (MHz)	Reading (dB μ V)	Pre-Amp Gain (dB)	Antenna Factor (dB)	Net at 3m - Peak (dB μ V/m)	Average Factor (dB)	Calculated at 3m (dB μ V/m)	Average Limit at 3m (dB μ V/m)	Margin (dB)
H	2480.000	103.5	33	29.4	99.9	24	75.9	94.0	-18.1
V	4960.000	48.7	33	34.9	50.6	24	26.6	54.0	-27.4
H	7440.000	40.4	33	37.9	45.3	24	21.3	54.0	-32.7
H	9920.000	40.1	33	40.4	47.5	24	23.5	54.0	-30.5
H	12400.000	42.1	33	40.5	49.6	24	25.6	54.0	-28.4
H	14880.000	45.5	33	38.4	50.9	24	26.9	54.0	-27.1

Polarization	Frequency (MHz)	Reading (dB μ V)	Pre-Amp Gain (dB)	Antenna Factor (dB)	Net at 3m - Peak (dB μ V/m)	Peak Limit at 3m (dB μ V/m)	Margin (dB)
H	2480.000	103.5	33	29.4	99.9	114.0	-14.1
V	4960.000	48.7	33	34.9	50.6	74.0	-23.4
H	7440.000	40.4	33	37.9	45.3	74.0	-28.7
H	9920.000	40.1	33	40.4	47.5	74.0	-26.5
H	12400.000	42.1	33	40.5	49.6	74.0	-24.4
H	14880.000	45.5	33	38.4	50.9	74.0	-23.1

- NOTES:
1. Peak detector is used for the emission measurement.
 2. All measurements were made at 3 meters. Radiated emissions not detected at the 3-meter distance were measured at 0.3-meter and an inverse proportional extrapolation was performed to compare the signal level to the 3-meter limit. No other radiated emissions than those reported were detected at a test distance of 0.3-meter.
 3. Negative value in the margin column shows emission below limit.
 4. Horn antenna is used for the emission over 1000MHz.
 5. Emission (the row indicated by **bold italic**) within the restricted band meets the requirement of FCC Part 15 Section 15.205 / RSS-210 Section 2.2.

INTERTEK TESTING SERVICES

Mode: Speaker On with Bluetooth

Table 4

Radiated Emission Data

Polarization	Frequency (MHz)	Reading (dB μ V)	Pre-amp (dB)	Antenna Factor (dB)	Net at 3m (dB μ V/m)	Limit at 3m (dB μ V/m)	Margin (dB)
V	58.613	43.4	16	11.0	38.4	40.0	-1.6
H	104.677	45.7	16	13.0	42.7	43.5	-0.8
H	207.531	39.2	16	17.0	40.2	43.5	-3.3
H	331.168	33.5	16	24.0	41.5	46.0	-4.5
H	373.740	34.3	16	24.0	42.3	46.0	-3.7
H	414.355	35.7	16	25.0	44.7	46.0	-1.3
H	497.768	32.9	16	26.0	42.9	46.0	-3.1
H	746.465	22.4	16	30.0	36.4	46.0	-9.6
H	911.854	23.5	16	33.0	40.5	46.0	-5.5

- NOTES:
1. Peak detector is used for the emission measurement.
 2. All measurements were made at 3 meters. Radiated emissions not detected at the 3-meter distance were measured at 0.3-meter and an inverse proportional extrapolation was performed to compare the signal level to the 3-meter limit. No other radiated emissions than those reported were detected at a test distance of 0.3-meter.
 3. Negative value in the margin column shows emission below limit.
 4. Emission (the row indicated by ***bold italic***) within the restricted band meets the requirement of FCC Part 15 Section 15.205 / RSS-210 Section 2.2.

INTERTEK TESTING SERVICES

4.2.3 Transmitter Duty Cycle Calculation

Based on the Bluetooth Specification Version 2.0 / 2.1 + EDR, the transmitter ON time for each timeslot of Bluetooth is 625 μ s. DH5 has the maximum duty cycle, which consists of 5 continuous Tx slots and 1 Rx slot. Therefore one hopset take $(5+1) \times 625\mu\text{s} = 3.75\text{ms}$. For one period for a pseudo-random hopping through at least 20 RF channels in adaptive mode (worst case), it take: $20 \times 3.75\text{ms} = 75\text{ms}$.

The dwell time for DH5 is $5 \times 625\mu\text{s} = 3.125\text{ms}$

For the worst case calculation, there are two transmissions might occur in 100ms.

Therefore,

$$\begin{aligned}\text{Duty Cycle (DC)} &= \text{Maximum On time in } 100\text{ms}/100\text{ms} \\ &= 3.125\text{ms} \times 2 / 100\text{ms} \\ &= 0.0625\end{aligned}$$

$$\begin{aligned}\text{Average Factor (AF) of Bluetooth in dB} &= 20 \log_{10} (0.0625) \\ &= -24.0\text{dB}\end{aligned}$$

4.3 Radiated Emission on the Bandedge

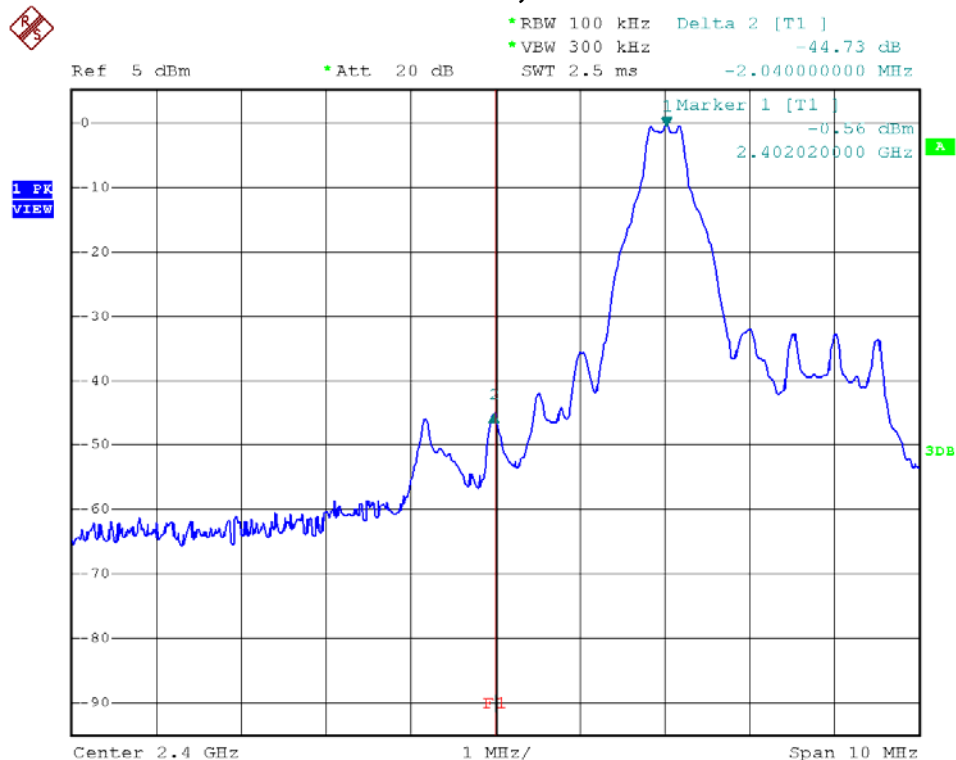
From the following plots, they show that the fundamental emissions are confined in the specified band (2400MHz and 2483.5MHz). In case of emissions up to two standard bandwidths away from the bandedge, the delta measurement technique is used for determining bandedge compliance. Standard bandwidth is the bandwidth specified by ANSI C63.4 (2014) for frequency being measured.

Emissions radiated outside of the specified frequency bands, except harmonics, are attenuated by 50 dB below the level of the fundamental or to the general radiated emission limits in FCC Part 15 Section 15.209 / Table 4 of RSS-Gen, whichever is the lesser attenuation, which meet the requirement of FCC Part 15 Section 15.249(d) / RSS-210 A2.9(b).

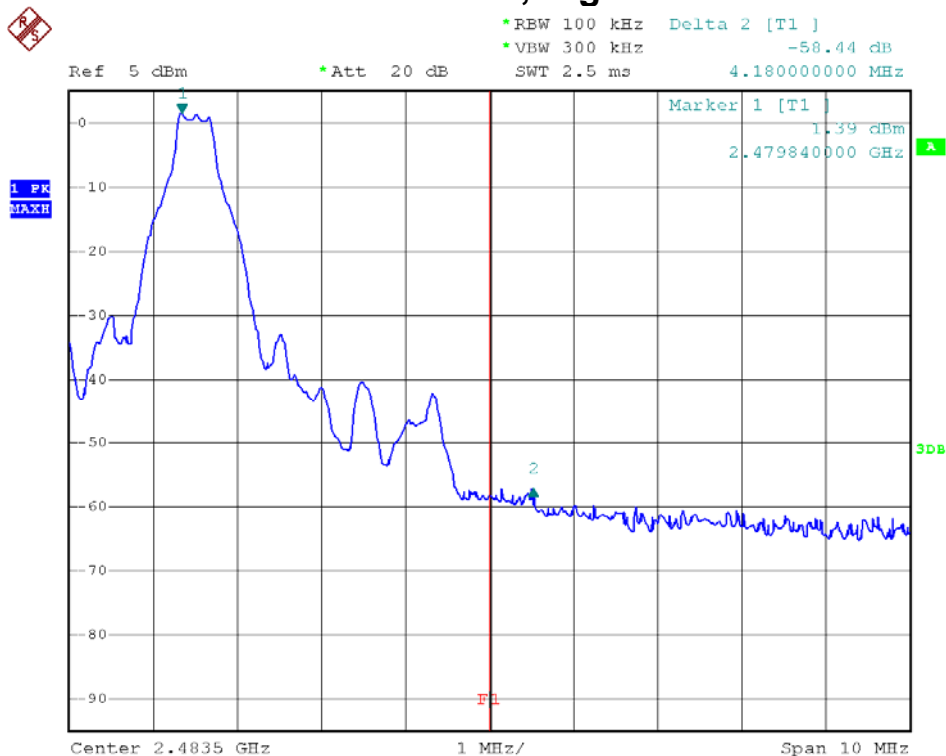
The plots of radiated emission on the bandedge are saved as below.

INTERTEK TESTING SERVICES

Base unit with Bluetooth Portion, Lowest channel



Base unit with Bluetooth Portion, Highest channel



INTERTEK TESTING SERVICES

Bandedge compliance is determined by applying marker-delta method, i.e.

Resultant Field Strength = Fundamental Emissions - Delta from the plot

Resultant field strength for the lowest and/or highest channel(s), with corresponding average values are calculated as follows:

Channel	Fundamental Emission (dB μ V/m)	Delta from the Plot (dB)	Resultant Field Strength (dB μ V/m)	Average Limit (dB μ V/m)	Margin (dB)
Lowest	74.3	44.73	29.57	54	-24.43
Highest	75.9	58.44	17.46	54	-36.54

Channel	Fundamental Emission (dB μ V/m)	Delta from the Plot (dB)	Resultant Field Strength (dB μ V/m)	Peak Limit (dB μ V/m)	Margin (dB)
Lowest	98.3	44.73	53.57	74	-20.43
Highest	99.9	58.44	41.46	74	-32.54

The resultant field strength meets the general radiated emission limit in FCC Part 15 Section 15.209 / Table 4 of RSS-Gen, which does not exceed 74dB μ V/m for peak limit and also 54dB μ V/m for average limit.

INTERTEK TESTING SERVICES

4.4 AC Power Line Conducted Emission

- Not applicable – EUT is only powered by battery for operation.
- EUT connects to AC power line. Emission Data is listed in following pages.
- Base Unit connects to AC power line and has transmission. Handset connects to AC power line but has no transmission. Emission Data of Base Unit is listed in following pages.

Test setup is shown in section 3.4 Figure 3.4.1.

4.4.1 AC Power Line Conducted Emission Configuration Photograph

Worst Case Line-Conducted Configuration
at

1.5135 MHz

The worst case line conducted configuration photographs are saved with filename: config photos.pdf.

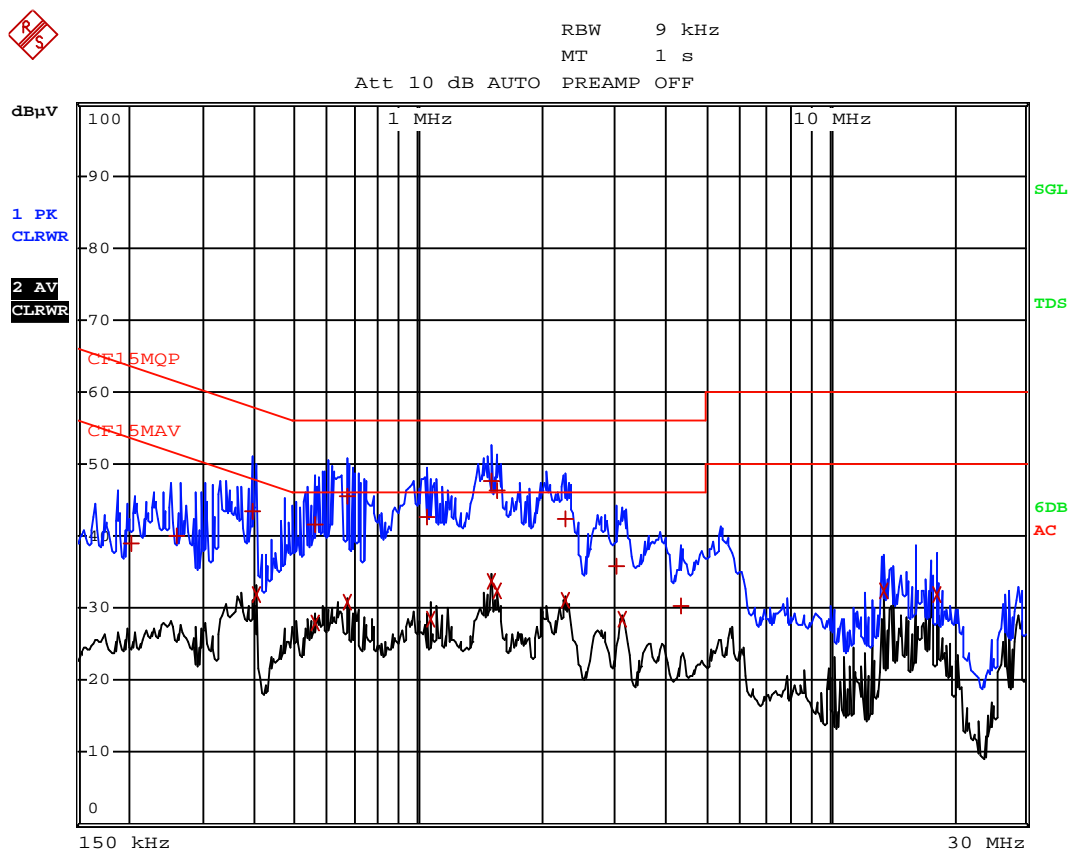
4.4.2 AC Power Line Conducted Emission Data

The plot(s) and data in the following pages list the significant emission frequencies, the limit and the margin of compliance.

Passed by 8.44 dB margin compared with quasi peak limit

INTERTEK TESTING SERVICES

Worst Case: Talk with Bluetooth



INTERTEK TESTING SERVICES

Worst Case: Talk with Bluetooth

EDIT PEAK LIST (Final Measurement Results)				
Trace1:	CF15MQP			
Trace2:	CF15MAV			
Trace3:	---			
TRACE	FREQUENCY	LEVEL	dBμV	DELTA LIMIT dB
1 Quasi Peak	204 kHz	38.84	N	-24.59
1 Quasi Peak	262.5 kHz	40.11	L1	-21.24
1 Quasi Peak	393 kHz	43.48	L1	-14.51
2 CISPR Average	402 kHz	31.84	N	-15.96
1 Quasi Peak	559.5 kHz	41.64	N	-14.35
2 CISPR Average	559.5 kHz	27.99	N	-18.00
1 Quasi Peak	672 kHz	45.65	N	-10.34
2 CISPR Average	672 kHz	30.93	N	-15.06
1 Quasi Peak	1.0455 MHz	42.66	L1	-13.33
2 CISPR Average	1.077 MHz	28.51	N	-17.48
1 Quasi Peak	1.5135 MHz	47.56	L1	-8.44
2 CISPR Average	1.5135 MHz	33.70	L1	-12.29
1 Quasi Peak	1.5495 MHz	46.38	N	-9.61
2 CISPR Average	1.5495 MHz	32.35	N	-13.64
1 Quasi Peak	2.283 MHz	42.41	N	-13.58
2 CISPR Average	2.283 MHz	31.06	L1	-14.93
1 Quasi Peak	3.0525 MHz	35.84	L1	-20.15
2 CISPR Average	3.129 MHz	28.55	L1	-17.44
1 Quasi Peak	4.3755 MHz	30.44	N	-25.55
2 CISPR Average	13.479 MHz	32.37	L1	-17.62

INTERTEK TESTING SERVICES

Worst Case: Talk with Bluetooth

EDIT PEAK LIST (Final Measurement Results)			
TRACE	FREQUENCY	LEVEL dBμV	DELTA LIMIT dB
Trace1:	CF15MQP		
Trace2:	CF15MAV		
Trace3:	---		
2 CISPR Average	18.2445 MHz	31.51 L1	-18.49

INTERTEK TESTING SERVICES

**EXHIBIT 5
EQUIPMENT LIST**

INTERTEK TESTING SERVICES

5.0 Equipment List

1) Radiated Emissions Test

Equipment	BiConiLog Antenna	Double Ridged Guide Antenna	Broad-Band Horn Antenna
Registration No.	EW-0571	EW-1133	EW-1679
Manufacturer	EMCO	EMCO	SCHWARZBECK
Model No.	3104C	3115	BBHA9170
Calibration Date	May 18, 2016	Nov. 05, 2015	Jun. 28, 2016
Calibration Due Date	Nov. 18, 2017	May 05, 2017	Jun. 28, 2017

Equipment	EMI Test Receiver	Spectrum Analyzer	Log Periodic Antenna
Registration No.	EW-3156	EW-2466	EW-0447
Manufacturer	R&S	R&S	EMCO
Model No.	ESR26	FSP30	3146
Calibration Date	Nov. 03, 2015	Sep. 16, 2015	May 18, 2016
Calibration Due Date	Nov. 03, 2016	Aug. 20, 2016	Nov. 18, 2017

2) Conducted Emissions Test

Equipment	EMI Test Receiver	LISN
Registration No.	EW-3095	EW-2501
Manufacturer	R&S	R&S
Model No.	ESCI	ENV-216
Calibration Date	Nov 5, 2015	Jan 28, 2016
Calibration Due Date	Nov 5, 2016	Jan 28, 2017

3) Bandedge Measurement Test

Equipment	Spectrum Analyzer
Registration No.	EW-2249
Manufacturer	R&S
Model No.	FSP30
Calibration Date	Nov, 27, 2015
Calibration Due Date	Nov. 27, 2016

END OF TEST REPORT