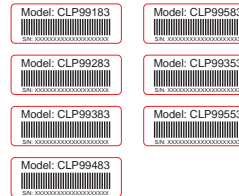
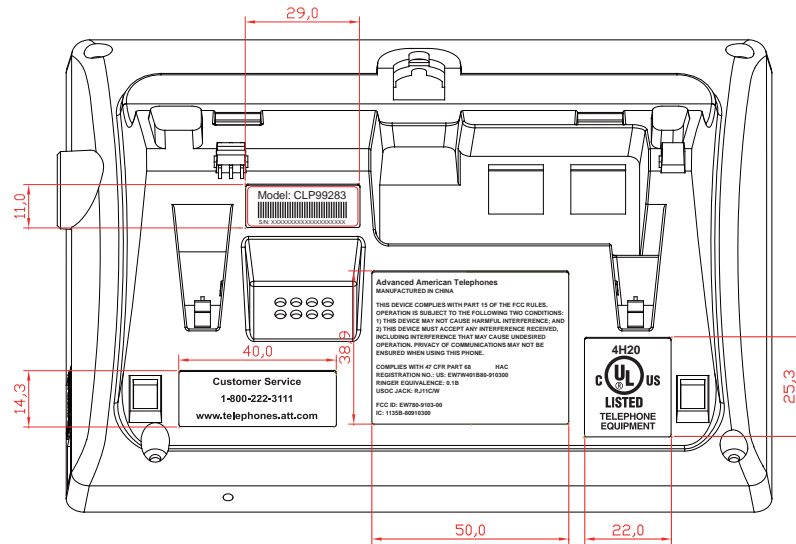


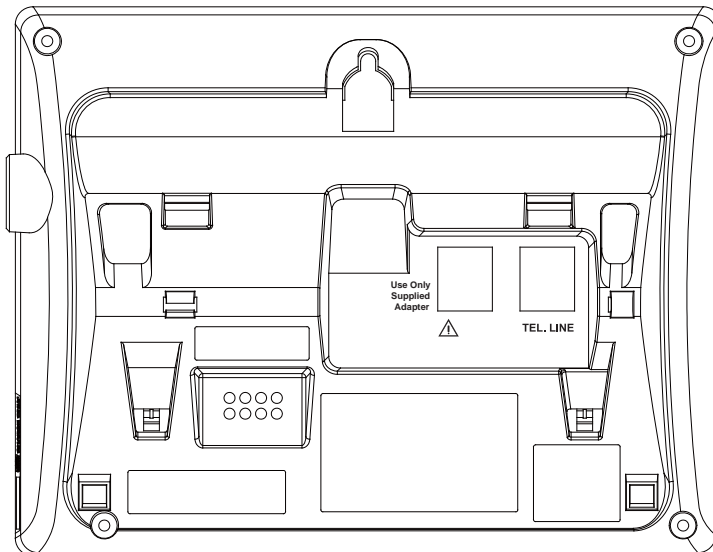
CLP99XX3 BS



BS Engraving



SN. label(28x10mm)
92-007224-000-100



Remark: For FCC approval: CLP99183, CLP99283, CLP99383, CLP99483, CLP99583, CLP99553, CLP99353, CLP99XY3, CLP99003.
For IC approval: CLP99283, CLP99383, CLP99483, CLP99583, CLP99553, CLP99003.