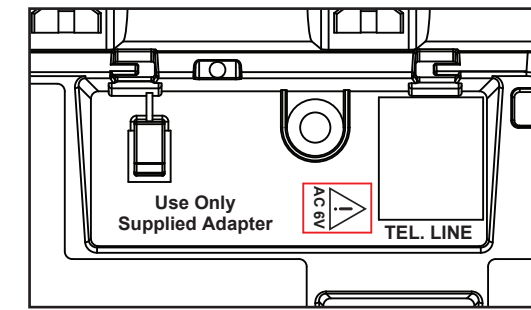
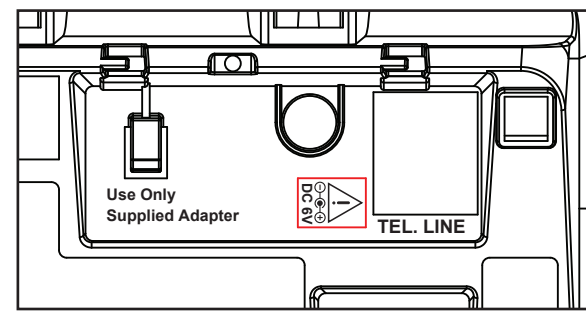
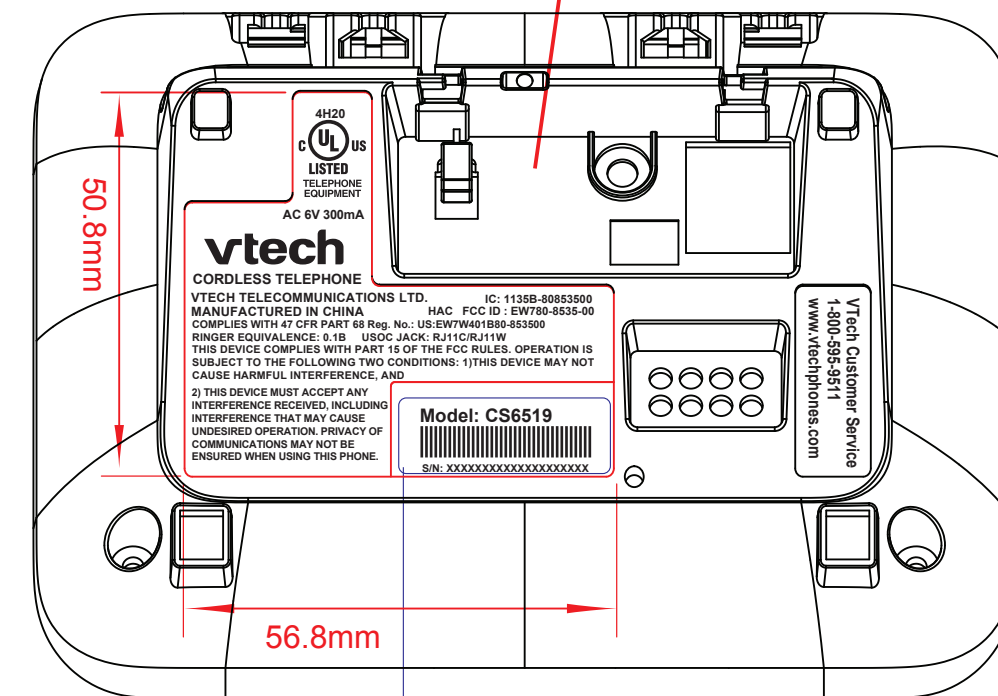
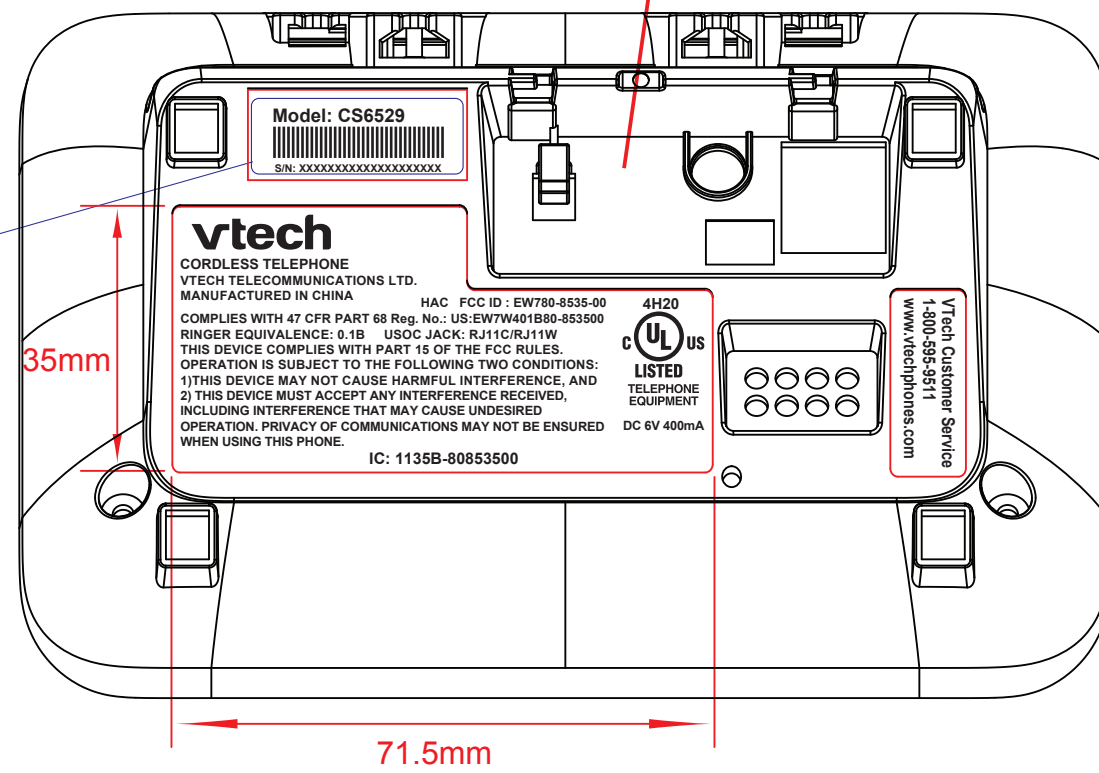


CS6519-X/CS6529-X ENGRAVING FFILE

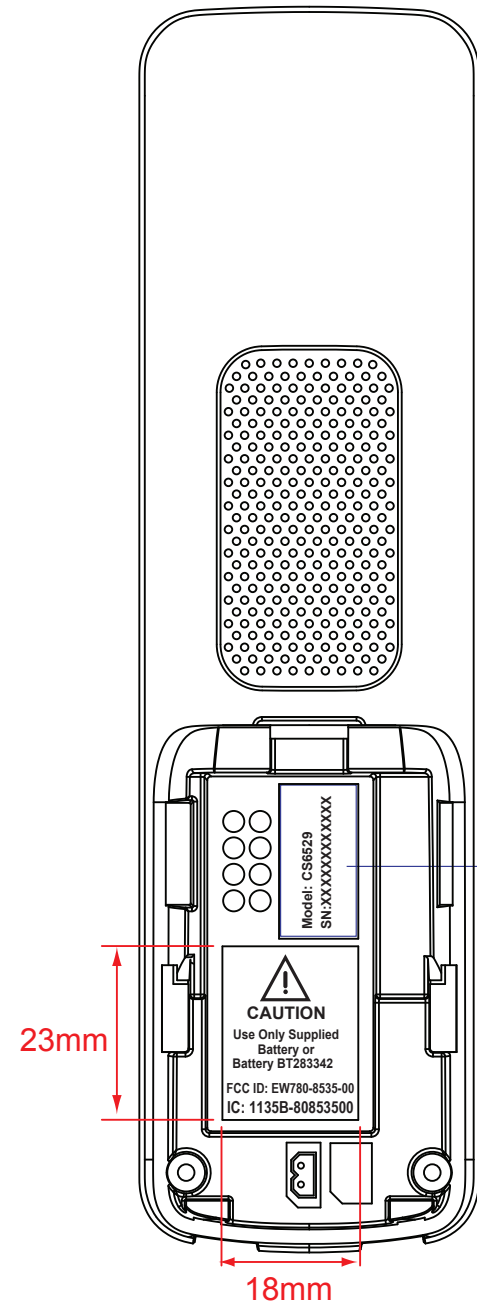
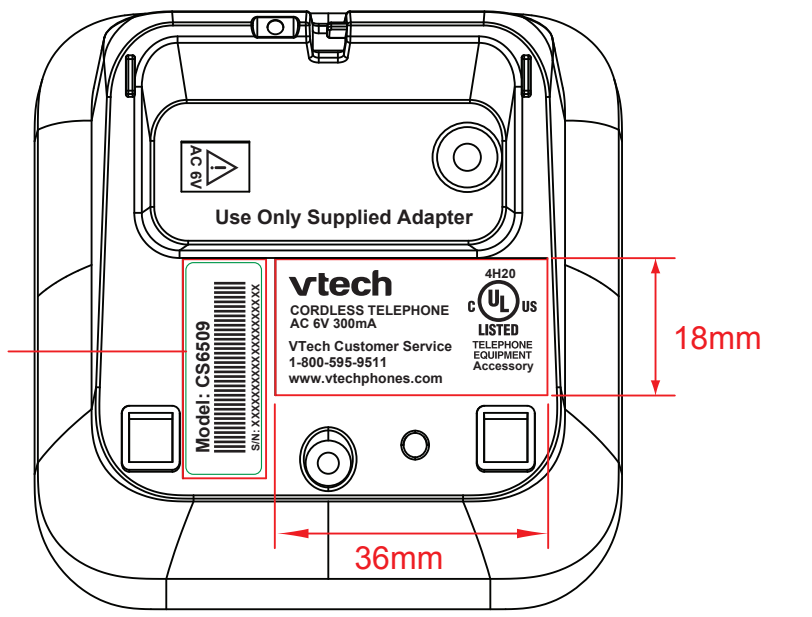


SN LABEL
28X10mm

Model: CS6529-2 SN:XXXXXXXXXXXX	Model: CS6529 SN:XXXXXXXXXXXX
Model: CS6529-3 SN:XXXXXXXXXXXX	Model: CS6529-15 SN:XXXXXXXXXXXX
Model: CS6529-4 SN:XXXXXXXXXXXX	Model: CS6529-16 SN:XXXXXXXXXXXX
Model: CS6529-5 SN:XXXXXXXXXXXX	Model: CS6529-25 SN:XXXXXXXXXXXX
	Model: CS6529-26 SN:XXXXXXXXXXXX

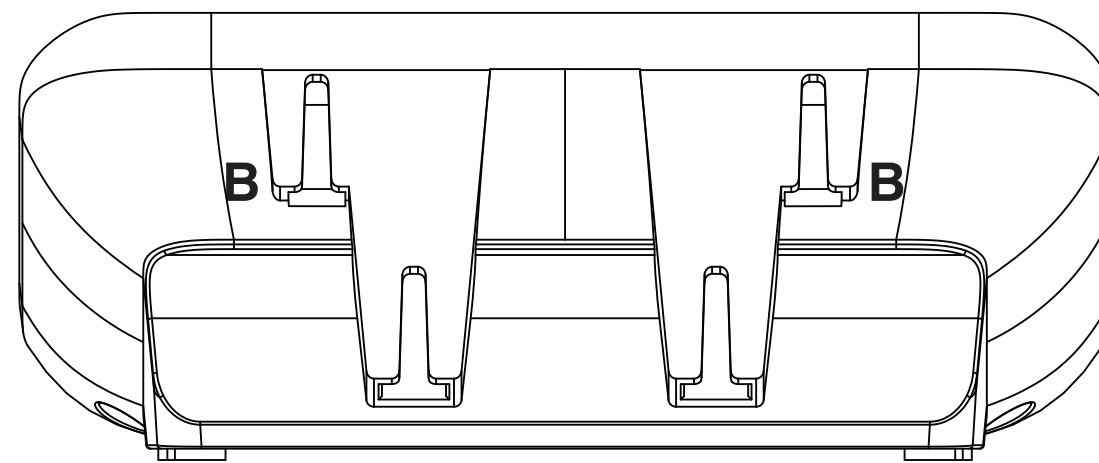


SN LABEL
28X10mm

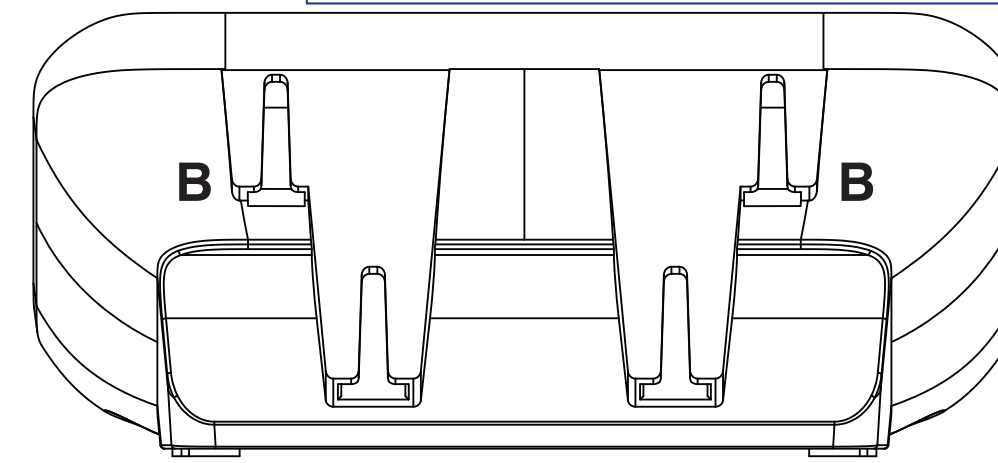


Model: CS6509 SN:XXXXXXXXXXXX	Model: CS6529 SN:XXXXXXXXXXXX
Model: CS6519 SN:XXXXXXXXXXXX	Model: CS6529-2 SN:XXXXXXXXXXXX
Model: CS6519-2 SN:XXXXXXXXXXXX	Model: CS6529-15 SN:XXXXXXXXXXXX
Model: CS6519-15 SN:XXXXXXXXXXXX	Model: CS6529-16 SN:XXXXXXXXXXXX
Model: CS6519-16 SN:XXXXXXXXXXXX	Model: CS6529-25 SN:XXXXXXXXXXXX
Model: CS6519-25 SN:XXXXXXXXXXXX	Model: CS6529-26 SN:XXXXXXXXXXXX
Model: CS6519-26 SN:XXXXXXXXXXXX	Model: CS6529-3 SN:XXXXXXXXXXXX
Model: CS6519-3 SN:XXXXXXXXXXXX	Model: CS6529-4 SN:XXXXXXXXXXXX
Model: CS6519-4 SN:XXXXXXXXXXXX	Model: CS6529-5 SN:XXXXXXXXXXXX

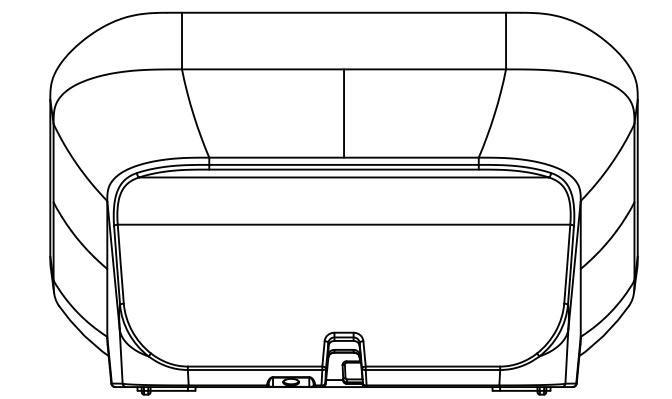
SN LABEL
20X10mm



CI BS



C BS



CHARGER

HS