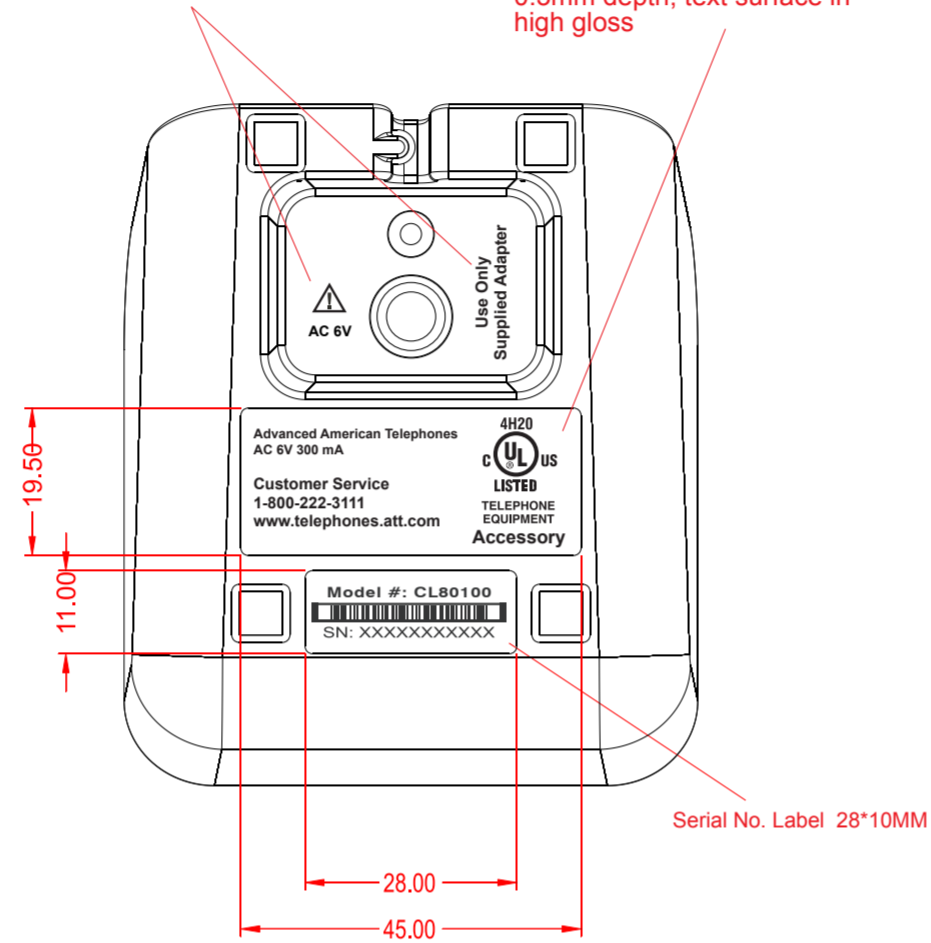
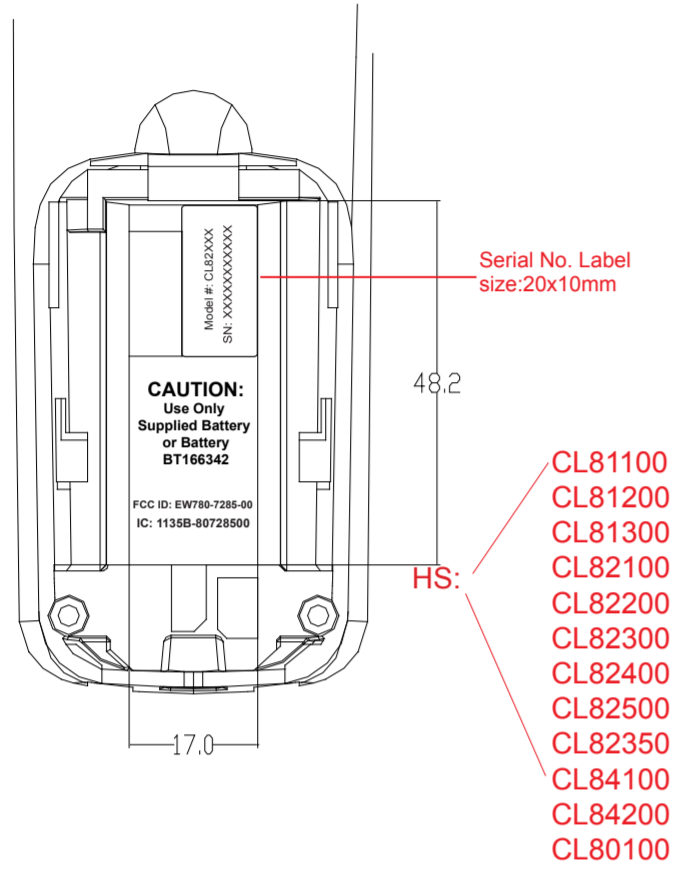


CL82XXX Engraving draft file

CL80100 charger

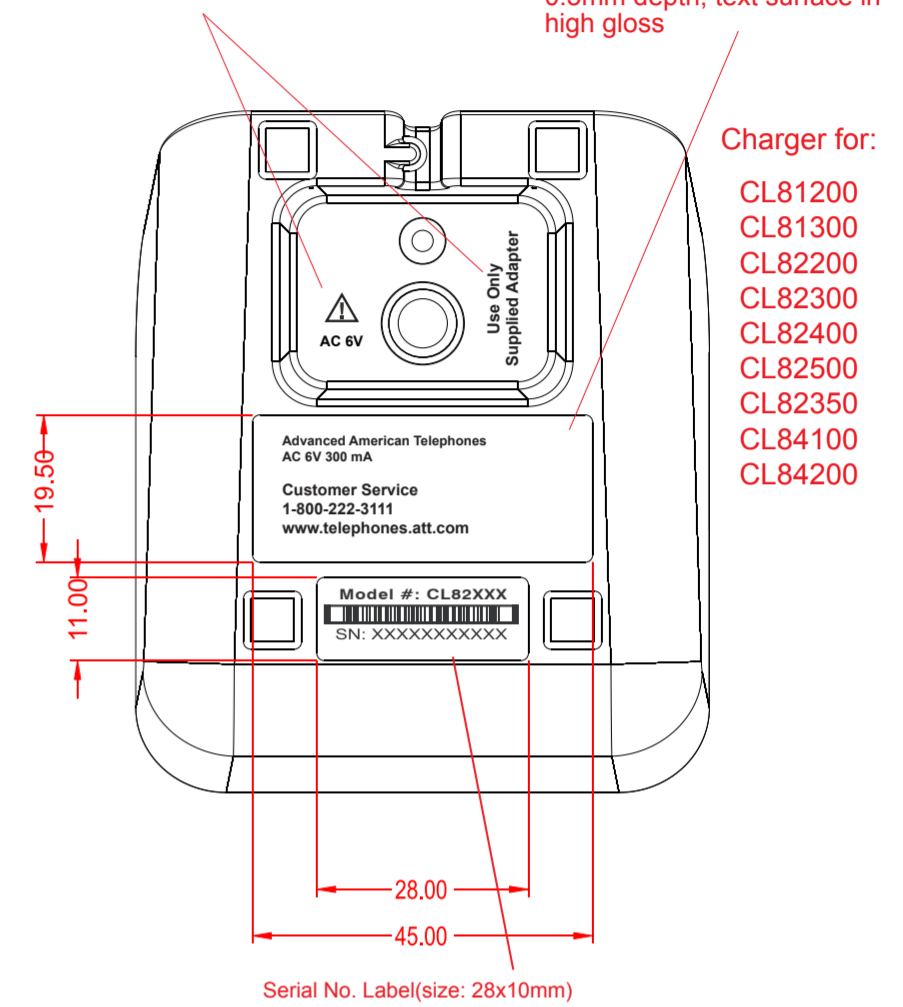
Text: engraved in raised 0.3mm

Text: engraved in recessed 0.3mm depth, text surface in high gloss

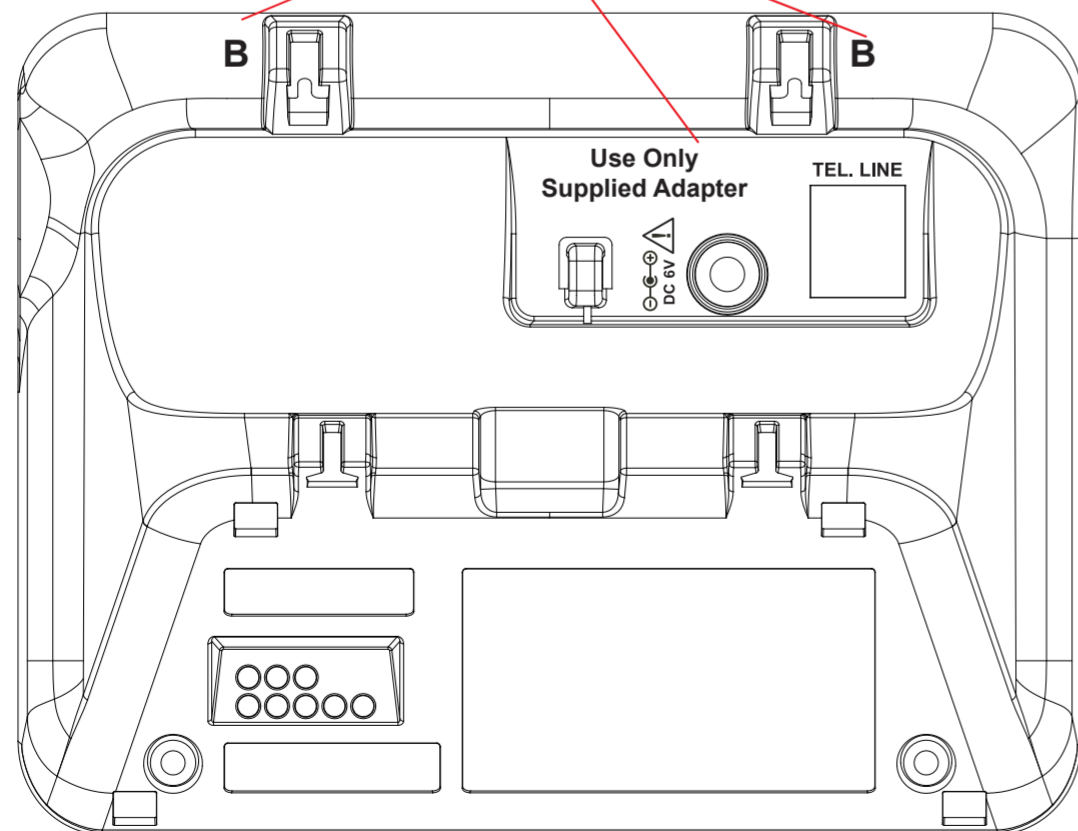


Text: engraved in raised 0.3mm

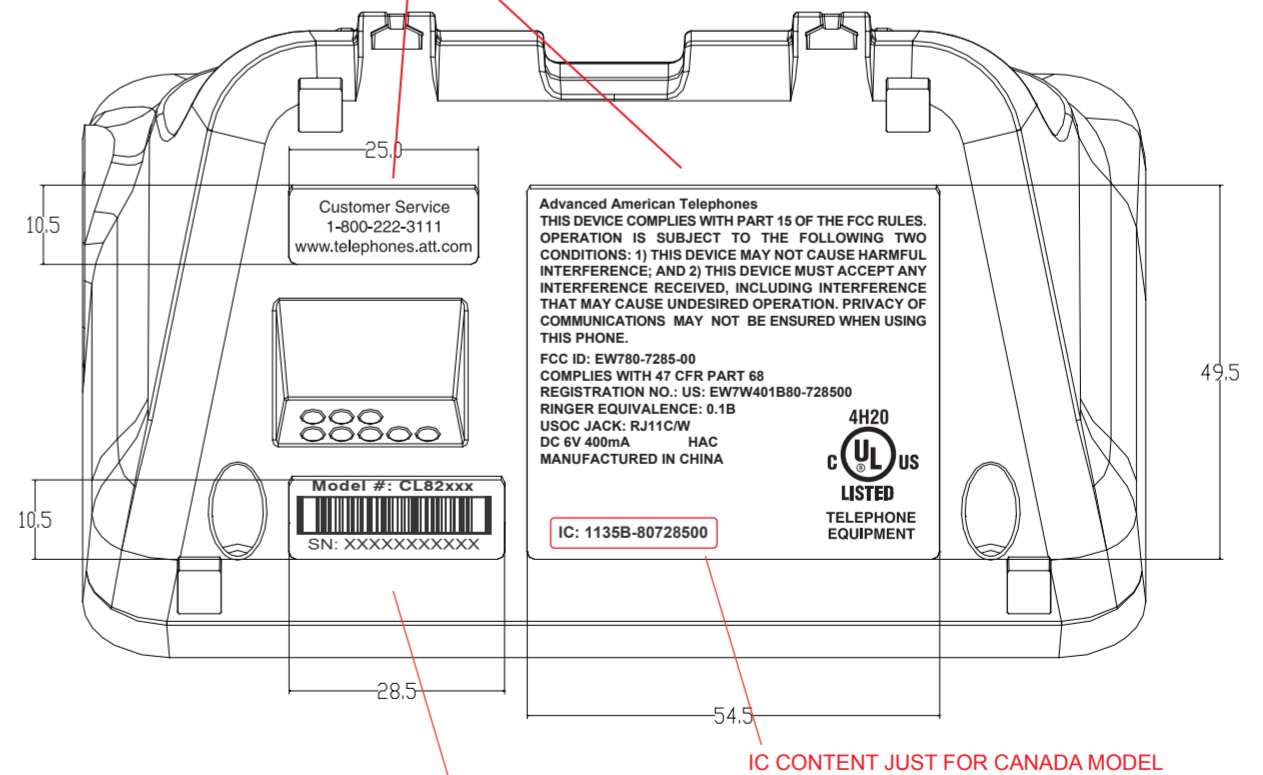
Text: engraved in recessed 0.3mm depth, text surface in high gloss



Text: Raised 0.3mm



Text: Recessed 0.3mm High Gloss



Serial No. Label(size: 28x10mm)
Model #: CL82100(1Ci BS + 1HS)

- CL82200(1Ci BS + 2HS + 1 CHG)
- CL82300(1Ci BS + 3HS + 2 CHG)
- CL82400(1Ci BS + 4HS + 3 CHG)
- CL82500(1Ci BS + 5HS + 4 CHG)
- CL82350(1Ci BS + 3HS + 2 CHG)