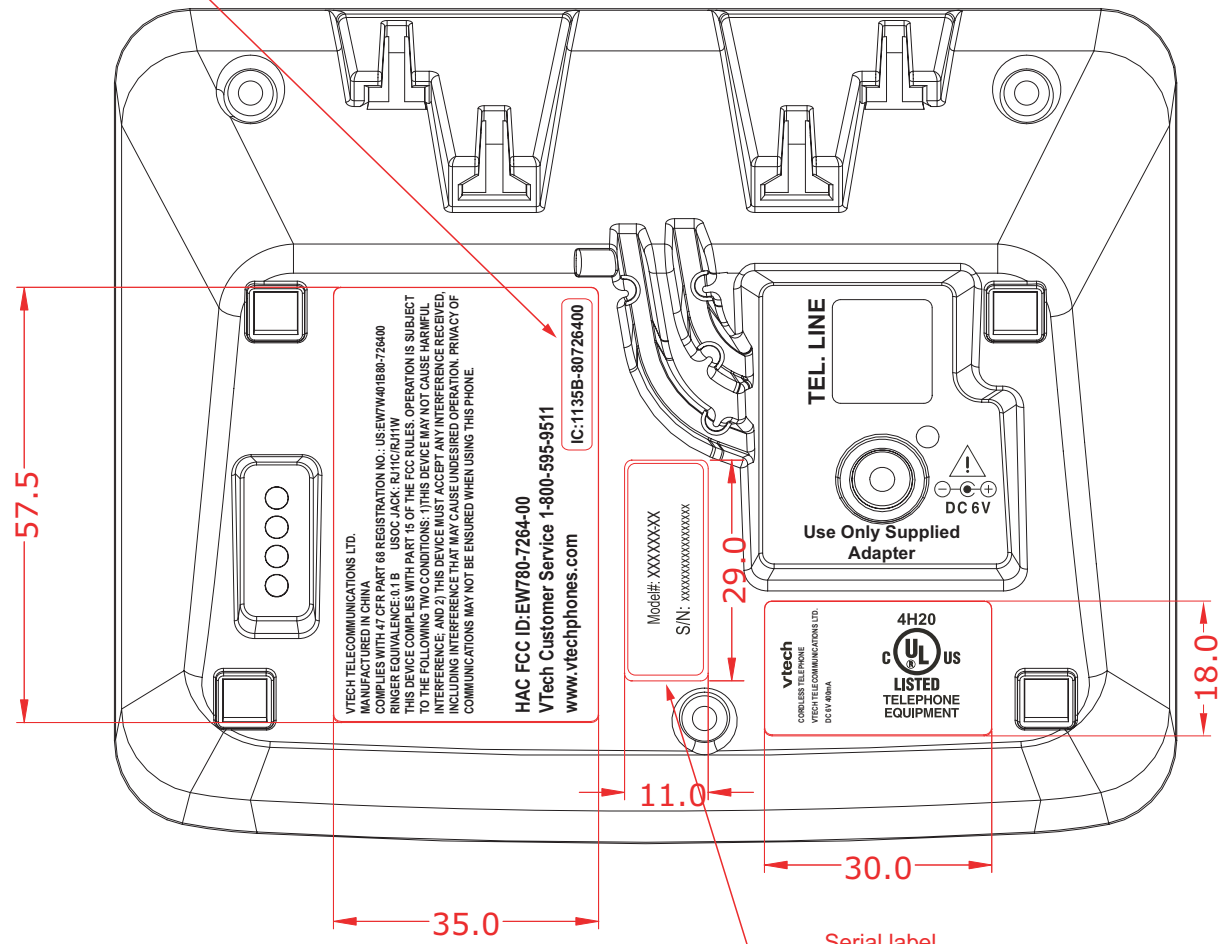


DS6311 C BS

IC label
IC:1135B-80726400
Size: 20X4mm



VTECH TELECOMMUNICATIONS LTD.
MANUFACTURED IN CHINA
COMPLIES WITH 47 CFR PART 68 REGISTRATION NO.: US:EW780-7264-00
RINGER EQUIVALENCE:0.1 B USOC JACK: RJ11C/RJ11W
THIS DEVICE COMPLIES WITH PART 15 OF THE FCC RULES. OPERATION IS SUBJECT
TO THE FOLLOWING TWO CONDITIONS: 1) THIS DEVICE MAY NOT CAUSE HARMFUL
INTERFERENCE, AND 2) THIS DEVICE MUST ACCEPT ANY INTERFERENCE RECEIVED,
INCLUDING INTERFERENCE THAT MAY CAUSE UNDESIRABLE OPERATION. PRIVACY OF
COMMUNICATIONS MAY NOT BE ENSURED WHEN USING THIS PHONE.

HAC FCC ID:EW780-7264-00
Vtech Customer Service 1-800-595-9511
www.vtechphones.com

IC:1135B-80726400

Model#: XXXXXX-XX
S/N: XXXXXXXXXXXXXXXXX

TEL. LINE

Use Only Supplied Adapter

vtech
CORDLESS TELEPHONE
VTECH TELECOMMUNICATIONS LTD.
DC 6V ADP-04

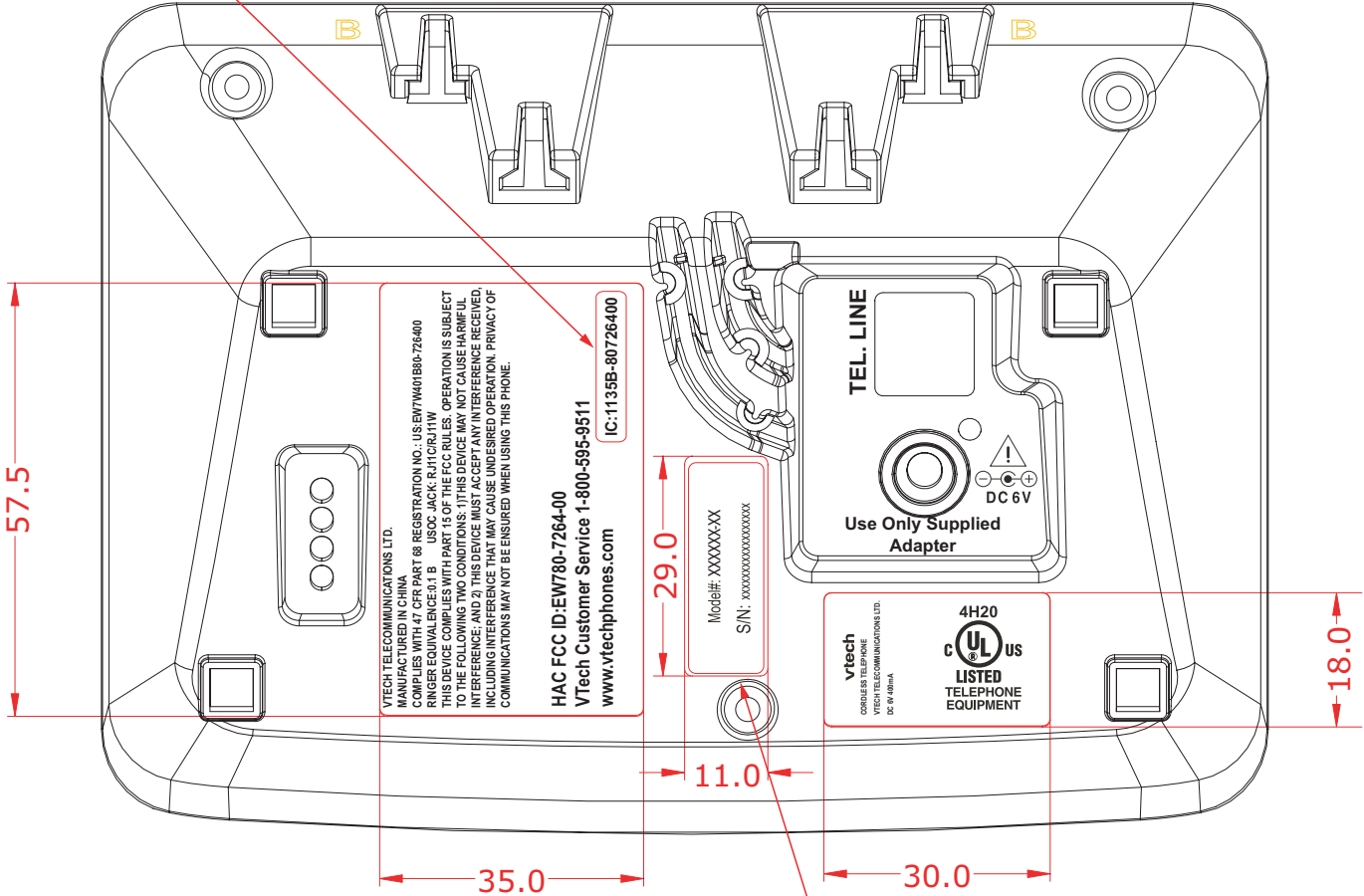
LISTED
TELEPHONE
EQUIPMENT

Serial label
Model#: DS6311-2
S/N: xxxxxxxxxxxxxxxxx

Size: 20X10mm

DS6321 Ci BS

IC label
 IC:1135B-80726400
 Size: 20X4mm



IC label

Serial label

Model#: DS6321-2 S/N: xxxxxxxxxxxxxxxxx	Model#: DS6321-4 S/N: xxxxxxxxxxxxxxxxx
Model#: DS6321-3 S/N: xxxxxxxxxxxxxxxxx	Model#: DS6322-3 S/N: xxxxxxxxxxxxxxxxx

Size: 20X10mm