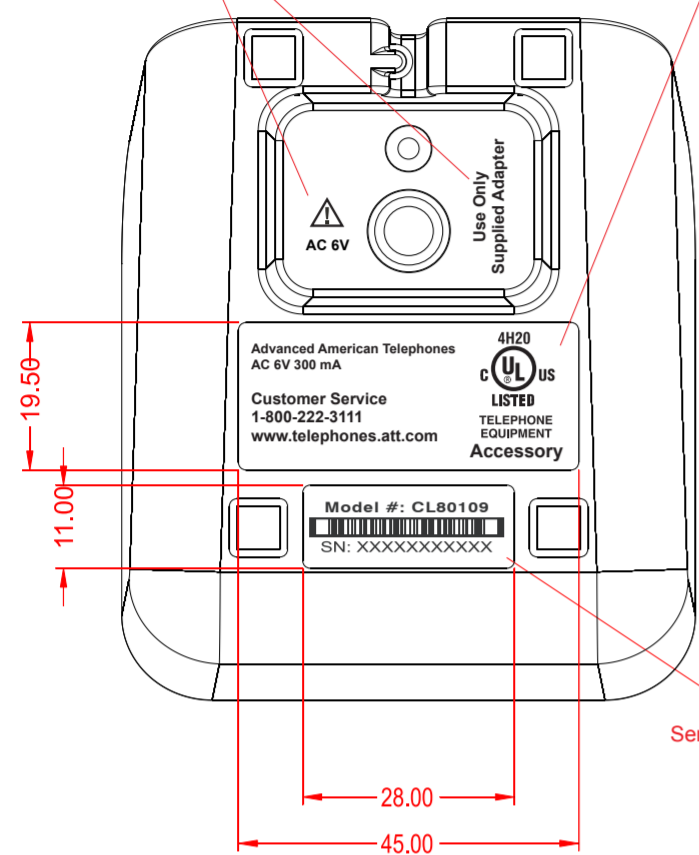


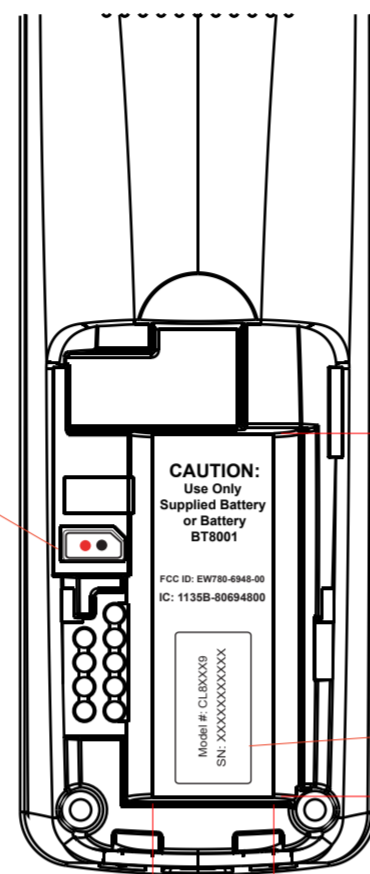
# CL8xx09 Engraving draft file

Text: engraved in raised 0.3mm

Text: engraved in recessed 0.3mm depth, text surface in high gloss



Polarity label

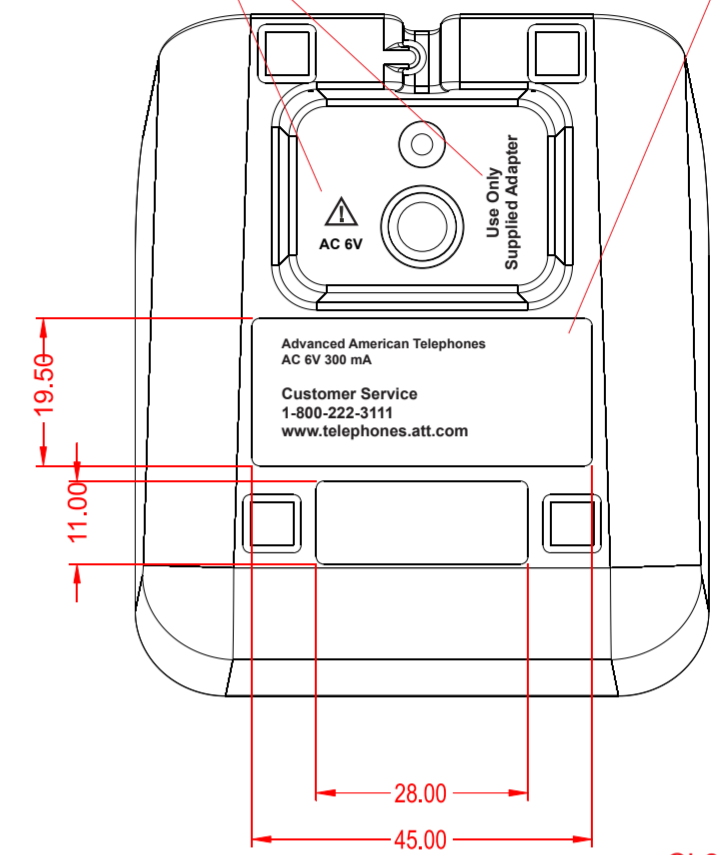


Serial No. Label  
size:20x10mm



Text: engraved in raised 0.3mm

Text: engraved in recessed 0.3mm depth, text surface in high gloss



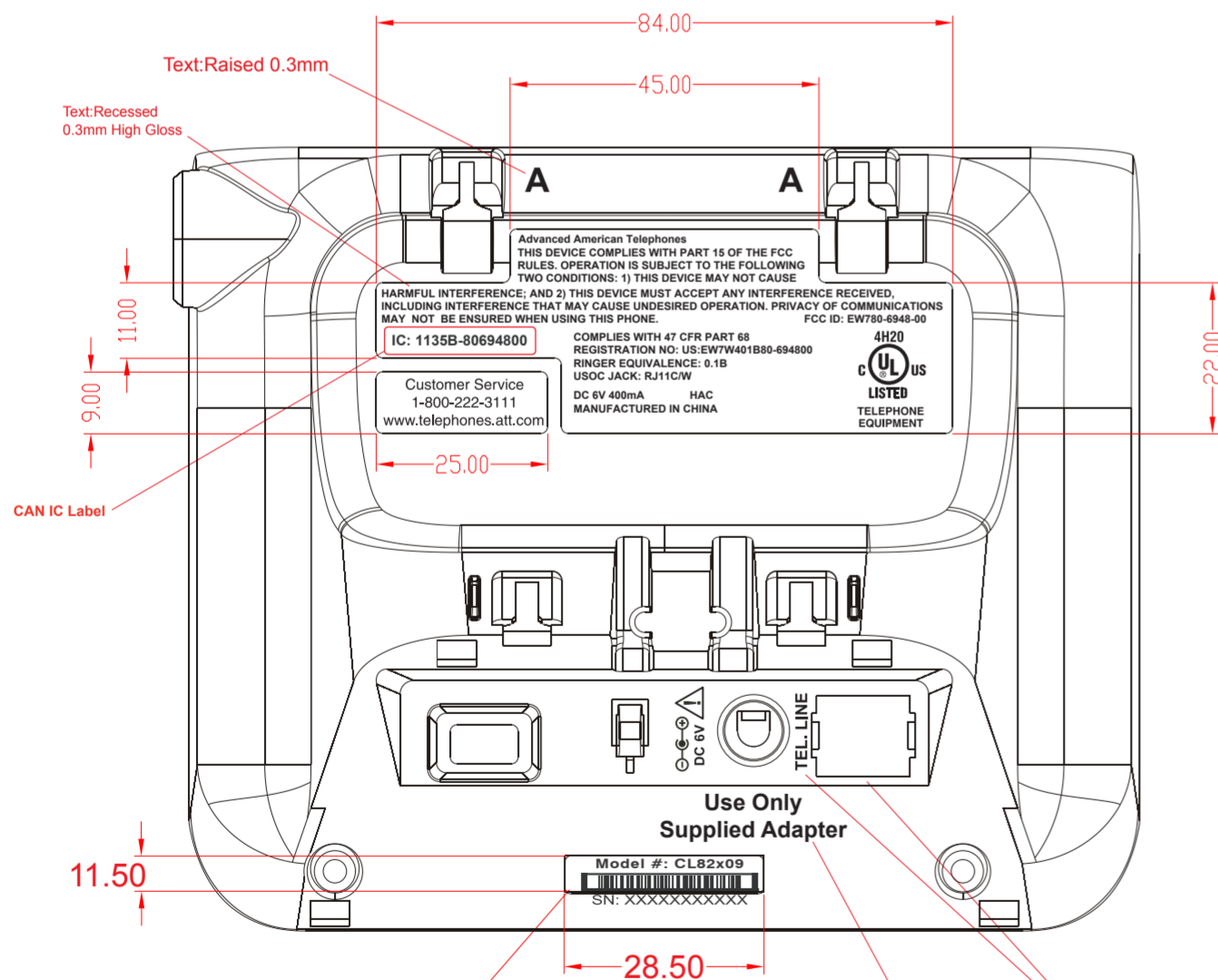
Charger for:

- CL81209
- CL82209
- CL82309
- CL82409
- CL82509
- CL84109
- CL84209

CL80109 charger

HS:

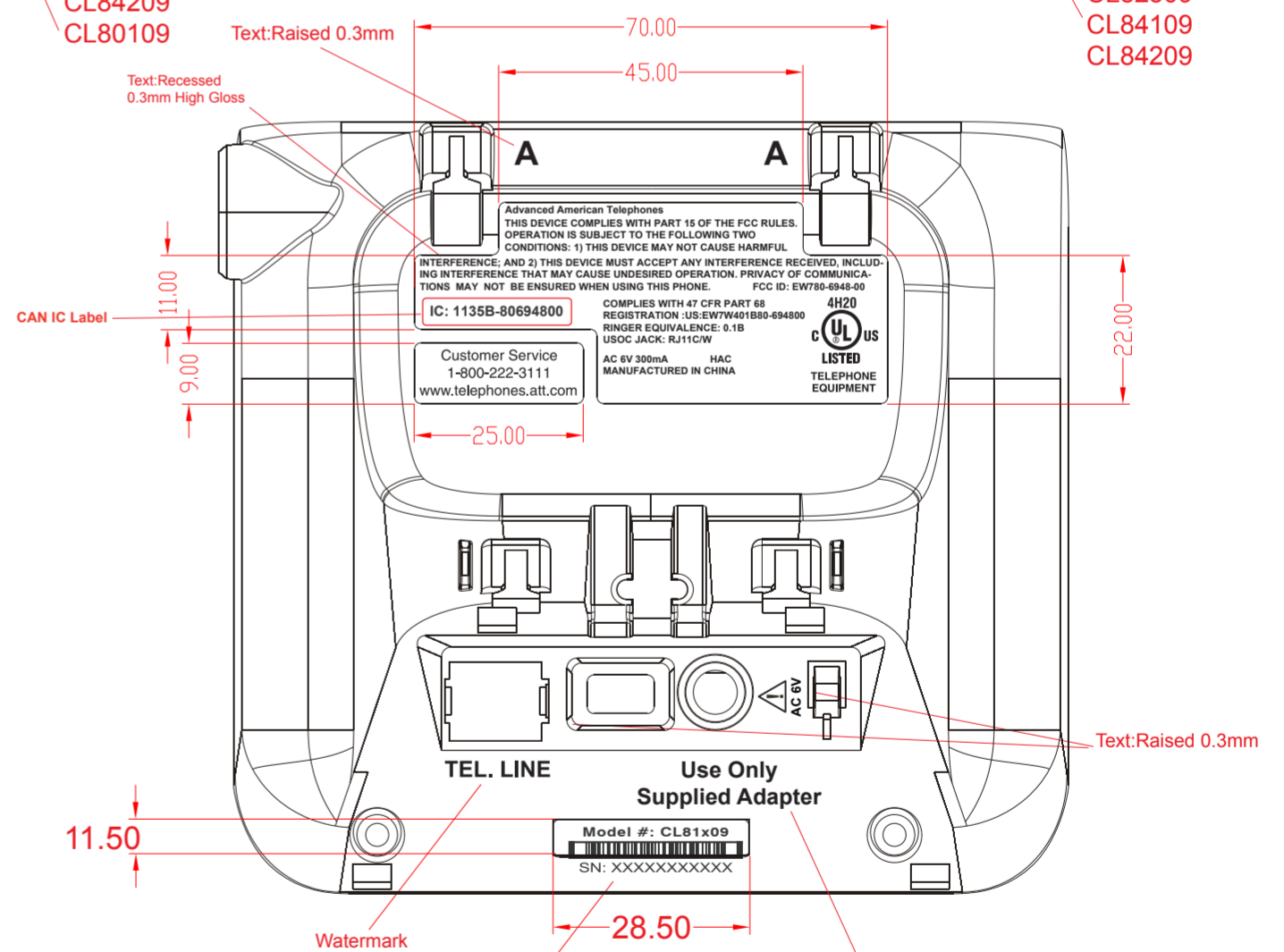
- CL81109
- CL81209
- CL82109
- CL82209
- CL82309
- CL82409
- CL82509
- CL84109
- CL84209
- CL80109



Serial No. Label(size: 28x10mm)

Model #:CL82109(1Ci BS + 1HS)

- CL82209(1Ci BS + 2HS + 1 CHG)
- CL82309(1Ci BS + 3HS + 2 CHG)
- CL82409(1Ci BS + 4HS + 3 CHG)
- CL82509(1Ci BS + 5HS + 4 CHG)



Serial No. Label(size: 28x10mm)

Model #:CL81109(1C BS + 1HS)

- CL81209(1C BS + 2HS + 1 CHG)

CL82x09 30-009516-000-100 CI BS BOTTOM Engraving

CL81x09 30-009523-000-100 C BS BOTTOM Engraving