

VTech Telecommunications Ltd.

Application
For
Permissive Change Class I & Class II

Unlicensed Personal Communication Service Devices

FCC ID: EW780-6948-00

Test Report Number: HK09010380-1(R1)

Issue Date: February 27, 2009

Supersede report no. HK09010380-1 dated February 16, 2009

TL/ ac

- The test report only allows to be revised within the retention period unless further standard or the requirement was noticed.
- This report is for the exclusive use of Intertek's Client and is provided pursuant to the agreement between Intertek and its Client. Intertek's responsibility and liability are limited to the terms and conditions of the agreement. Intertek assumes no liability to any party, other than to the Client in accordance with the agreement, for any loss, expense or damage occasioned by the use of this report. Only the Client is authorized to permit copying or distribution of this report and then only in its entirety. Any use of the Intertek name or one of its marks for the sale or advertisement of the tested material, product or service must first be approved in writing by Intertek. The observations and test results in this report are relevant only to the sample tested. This report by itself does not imply that the material, product, or service is or has ever been under an Intertek certification program.

Intertek Testing Services Hong Kong Ltd.

2/F., Garment Centre, 576 Castle Peak Road, Kowloon, Hong Kong.
Tel: (852) 2173 8888 Fax: (852) 2785 5487 Website: www.hk.intertek-etlsemko.com

INTERTEK TESTING SERVICES

MEASUREMENT/TECHNICAL REPORT

VTech Telecommunications Ltd.

Model: DS3211-2, DS3211, DS321z-xy, DS3201, AT321z-xy, AT3201

FCC ID: EW780-6948-00

This report concerns (check one:) Original Grant Class II Change

Equipment Type : PUE - Part 15 Unlicensed PCS portable Tx held to ear

Deferred grant requested per 47 CFR 0.457(d)(1)(ii)? Yes No

If yes, defer until :

Date

Company Name agrees to notify the Commission by: _____

Date

of the intended date of announcement of the product so that the grant can be issued on that date.

Transition Rules Request per 15.37? Yes No

If no, assumed Part 15, Subpart D for Unlicensed Personal Communication Service Device - the new 47 CFR [10-01-07 Edition] Provision.

Report prepared by:

Leung Wai Leung, Tommy
Intertek Testing Services Hong Kong Ltd.
2/F., Garment Centre,
576 Castle Peak Road,
Kowloon, Hong Kong.
Phone : 852-2173-8538
Fax: 852-2741-1693

INTERTEK TESTING SERVICES

Table of Contents

1.0 Summary of Test Results	4
2.0 General Description	6
2.1 Product Description	6
2.2 Purpose of Application.....	7
2.3 Test Methodology.....	7
2.4 Test Facility.....	7
3.0 System Test Configuration	9
3.1 Justification	9
3.2 Conducted Emission Test Configuration	10
3.3 EUT Exercising Software.....	10
3.4 Details of EUT and Description of Peripherals	11
3.5 Measurement Uncertainty	12
3.6 Equipment Modification	12
4.0 Measurement Results	14
4.1 Power Spectral Density	14
4.2 Unwanted Emission Inside the Sub-Band	16
4.3 Emissions Outside the Sub-Band	18
4.3.1 Radiated Emissions Configuration Photographs	19
4.3.2 Radiated Emissions Data	20
4.3.3 Field Strength Calculation.....	31
4.3.4 Transmitter Duty Cycle Calculation and Measurements	32
4.4 AC Power Lines Conducted Emissions from Transmitter portion of EUT.....	33
4.4.1 AC Power Lines Conducted Emissions Configuration Photographs.....	34
4.4.2 AC Power Line Conducted Emissions Data	35
4.5 Radio Frequency Radiation Exposure	36
Appendix - Exhibits of Application for Certification	

**EXHIBIT 1
SUMMARY OF TEST RESULTS**

INTERTEK TESTING SERVICES

1.0 Summary of Test Results

VTech Telecommunications Ltd.

Model: DS3211-2, DS3211, DS321z-xy, DS3201, AT321z-xy, AT3201

FCC ID: EW780-6948-00

Technical Requirements				
Test Items	FCC Part 15 Section	Test Procedure ANSI C63.17 / ANSI C63.4 *	Results	Details see section
Power Spectral Density	15.319(d)	6.1.5	Pass	4.1
Unwanted Emission Inside the Sub-Band	15.323(d)	6.1.6.1	Pass	4.2
Emissions Outside the Sub-Band	15.323(d)	6.1.6.2	Pass	4.3
AC Power Lines Conducted Emissions from Transmitter Portion of EUT	15.315	7 *	Pass	4.4
Radio Frequency Radiation Exposure	15.319(i)	---	Pass	4.5

Test Engineer:

Approved By:



Ken Sit
Assistant Manager

Leung Wai Leung, Tommy
Senior Manager

Date: February 27, 2009

Date: February 27, 2009

**EXHIBIT 2
GENERAL DESCRIPTION**

INTERTEK TESTING SERVICES

2.0 General Description

2.1 Product Description

The DS3211-2 is 1.9GHz Digital Modulation Cordless Phone with Caller ID and Speakerphone. It operates at frequency range of 1921.536MHz to 1928.448MHz with 5 channels (1921.536MHz, 1923.264MHz, 1924.992MHz, 1926.720MHz and 1928.448MHz). The Base Unit is powered by an adaptor 117VAC to 6VAC 300mA. The Handset is powered by a "Ni-MH" type rechargeable battery pack (2.4V 450mAh, 500mAh, 550mAh, 750mAh).

The antennas used in base unit and handset are integral, and the test sample is a prototype.

The Models: DS3211, DS321z-xy and AT321z-xy are as same as the Model: DS3211-2 in hardware aspect. Suffix "z-xy" represents different package material, different number of handsets and different color of enclosure respectively. The Models: DS3201 and AT3201 have one handset with an extra charger for selling. The difference in model number serves as the marketing strategy.

The Handsets are identical among models as follows electrical designs, including software & firmware, PCB layout and construction design/ physical design/ enclosure.

Connection between the base unit and the telephone network is accomplished through the use of USOC RJ11C in the 2-wire loop calling central office line.

The technical description is saved as filename: descri.pdf

INTERTEK TESTING SERVICES

2.2 Purpose of Application

The purpose of change is saved as filename: product change.pdf

For the Model: DS3211-2, the RF module and algorithm are the same as the previous granted Model: CS6229-2. The enclosure, Baseband layout, circuit of Base and Handset are changed.

This is an application for Certification of a PUE - Part 15 Unlicensed PCS portable Tx held to ear. The device is also subject to Part 68 Registration. A Verification report has been prepared for the digital device portion.

2.3 Test Methodology

The radiated emission measurements for unintentional radiator (if any) and AC power line-conducted emission measurements were performed according to the test procedures specified in ANSI C63.4 (2003). The radiated emission measurements for intentional radiator contained in UPCS device, and conducted emission measurements were performed according to the test procedures specified in ANSI C63.17 (2006). All radiated measurements were performed in Open Area Test Sites. Preliminary scans were performed in the Open Area Test Sites only to determine worst case modes. All radiated tests were performed at an antenna to EUT distance of 3 meters, unless stated otherwise in the "Justification Section" of this Application. All other measurements were made in accordance with the procedures in 47 CFR Part 2.

2.4 Test Facility

The open area test site and conducted measurement facility used to collect the emission data is located at Garment Centre, 576 Castle Peak Road, Kowloon, Hong Kong. This test facility and site measurement data have been fully placed on file with the FCC.

**EXHIBIT 3
SYSTEM TEST CONFIGURATION**

INTERTEK TESTING SERVICES

3.0 System Test Configuration

3.1 Justification

For emissions testing, the equipment under test (EUT) was setup to transmit continuously in burst mode with pseudo-random data to simplify the measurement methodology. Care was taken to ensure proper power supply voltages during testing. During testing, all cables (if any) were manipulated to produce worst-case emissions. The handset (if any) was powered by a fully charged battery.

For the measurements, the EUT was attached to a plastic stand if necessary and placed on the wooden turntable. If the base unit attached to peripherals, they were connected and operational (as typical as possible).

The signal was maximized through rotation and placement in the three orthogonal axes. The antenna height and polarization were varied during the search for maximum signal level. The antenna height was varied from 1 to 4 meters. Detector function was in peak mode. Radiated emissions were taken at three meters unless the signal level was too low for measurement at that distance. If necessary, a pre-amplifier was used and/or the test was conducted at a closer distance.

The spectrum analyzer resolution bandwidth was approximately 1% of the EUT emission bandwidth, unless otherwise specified.

Radiated emission measurements were performed from the lowest radio frequency signal generated in the device which is greater than 9 kHz to the tenth harmonic of the highest fundamental frequency or to 40 GHz, whichever is lower.

As the base unit has 2 antennas, both have been checked. While conducting the test on one of antennas, another one was being disable its transmission. The data in this report represented the worst-case.

INTERTEK TESTING SERVICES

3.2 Conducted Emission Test Configuration

The setup and equipment setting were made in accordance with ANSI C63.17. The antenna of EUT transmitter was replaced by a coaxial cable. The impedance matching of connection, cable loss and external RF attenuator were taken into account. The EUT was arranged to communicate via a fixed carrier frequency between its transmitter and a companion device. The transmission was configured in burst mode with pseudo-random data as typical as normal operation.

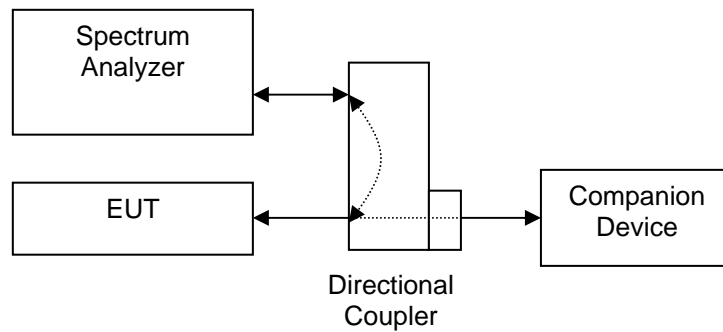


Figure 3.2.1

3.3 EUT Exercising Software

The EUT exercise program (if any) used during radiated and conducted testing was designed to exercise the various system components in a manner similar to a typical use.

INTERTEK TESTING SERVICES

3.4 Details of EUT and Description of Peripherals

Details of EUT:

An AC adaptor and/or a battery (provided with the unit) were used to power the device. Their description are listed below.

- (1) Base Unit: An AC adaptor (117VAC to 6VAC 300mA, Model: UA-0603) (Supplied by Client)
- (2) Handset: A "Ni-MH" Type Rechargeable Battery Pack (2.4V 450mAh, 500mAh, 550mAh, 750mAh) (Supplied by Client)

Description of Peripherals:

- (1) Telecommunication cable with RJ11C connectors (1m, unshielded), terminated (Supplied by Intertek)

INTERTEK TESTING SERVICES

3.5 Measurement Uncertainty

When determining of the test conclusion, the Measurement Uncertainty test has been considered.

Uncertainty and Compliance - Unless the standard specifically states that measured values are to be extended by the measurement uncertainty in determining compliance, all compliance determinations are based on the actual measured value.

3.6 Equipment Modification

Any modifications installed previous to testing by VTech Telecommunications Ltd. will be incorporated in each production model sold/leased in the United States.

No modifications were installed by Commercial & Electrical Division, Intertek Testing Services Hong Kong Ltd.

All the items listed under section 3.0 of this report are confirmed by:

Confirmed by:

*Leung Wai Leung, Tommy
Senior Manager
Intertek Testing Services Hong Kong Ltd.
Agent for VTech Telecommunications Ltd.*



_____ Signature

February 27, 2009 _____ Date

**EXHIBIT 4
MEASUREMENT RESULTS**

INTERTEK TESTING SERVICES

Company: VTech Telecommunications Ltd.
Model: DS3211-2

Date of Test: January 19-21, 2009

4.0 Measurement Results

4.1 Power Spectral Density, FCC Rule 15.319(d):

Power spectral density shall not exceed 3 mW (4.8dBm) in any 3 kHz bandwidth as measured with a spectrum analyzer having a resolution bandwidth of 3 kHz.

Measurements are made in accordance with ANSI C63.17 sub-clause 6.1.5. Test setup is shown in section 3.2 Figure 3.2.1.

Test Results:

I. Traffic Carrier - Base Unit

Channel	Channel Frequency (MHz)	Measured Power Spectral Density (dBm/3kHz)	Limit (dBm/3 kHz)	Results
Lowest	1921.536	-11.4	4.8	Pass
Highest	1928.448	-11.5	4.8	Pass

II. Dummy Carrier - Base Unit

Channel	Channel Frequency (MHz)	Measured Power Spectral Density (dBm/3kHz)	Limit (dBm/3 kHz)	Results
Lowest	1921.536	-14.8	4.8	Pass
Highest	1928.448	-21.5	4.8	Pass

III. Traffic Carrier - Handset

Channel	Channel Frequency (MHz)	Measured Power Spectral Density (dBm/3kHz)	Limit (dBm/3 kHz)	Results
Lowest	1921.536	-6.6	4.8	Pass
Highest	1928.448	-6.3	4.8	Pass

INTERTEK TESTING SERVICES

Company: VTech Telecommunications Ltd.
Model: DS3211-2

Date of Test: January 19-21, 2009

4.1 Power Spectral Density, FCC Rule 15.319(d) – Continued

Please refer to the attached plots for more details:

Base Unit

Plot B3A: Lowest Channel Power Spectral Density (Traffic Carrier)
Plot B3B: Highest Channel Power Spectral Density (Traffic Carrier)
Plot B3C: Lowest Channel Power Spectral Density (Dummy Carrier)
Plot B3D: Highest Channel Power Spectral Density (Dummy Carrier)

Handset

Plot H3A: Lowest Channel Power Spectral Density (Traffic Carrier)
Plot H3B: Highest Channel Power Spectral Density (Traffic Carrier)

The plots of the power spectral density are saved as filename: psd.pdf

INTERTEK TESTING SERVICES

Company: VTech Telecommunications Ltd.
Model: DS3211-2

Date of Test: January 19-21, 2009

4.2 Unwanted Emission Inside the Sub-Band, FCC Rule 15.323(d):

Emissions inside the sub-band must comply with the following emission mask:

1. In the bands between $1B$ and $2B$ measured from the center of the emission bandwidth, emission shall be at least 30 dB below the permitted peak transmit power
2. In the bands between $2B$ and $3B$ measured from the center of the emission bandwidth, emission shall be at least 50 dB below the permitted peak transmit power
3. In the bands between $3B$ and the band edge, emission shall be at least 60 dB below the permitted peak transmit power.

Where B = emission bandwidth in Hz

Measurements are made in accordance with ANSI C63.17 sub-clause 6.1.6.1. Test setup is shown in section 3.2 Figure 3.2.1.

Test Results:

I. Traffic Carrier - Base Unit

Channel	Channel Frequency (MHz)	Results
Lowest	1921.536	Pass
Highest	1928.448	Pass

II. Dummy Carrier - Base Unit

Channel	Channel Frequency (MHz)	Results
Lowest	1921.536	Pass
Highest	1928.448	Pass

III. Traffic Carrier - Handset

Channel	Channel Frequency (MHz)	Results
Lowest	1921.536	Pass
Highest	1928.448	Pass

INTERTEK TESTING SERVICES

Company: VTech Telecommunications Ltd.
Model: DS3211-2

Date of Test: January 19-21, 2009

4.2 Unwanted Emission Inside the Sub-Band, FCC Rule 15.323(d) - Continued

Please refer to the attached plots for more details:

Base Unit

Plot B4A: Lowest Channel Unwanted Emission Inside the Sub-Band (Traffic Carrier)

Plot B4B: Highest Channel Unwanted Emission Inside the Sub-Band (Traffic Carrier)

Plot B4C: Lowest Channel Unwanted Emission Inside the Sub-Band (Dummy Carrier)

Plot B4D: Highest Channel Unwanted Emission Inside the Sub-Band (Dummy Carrier)

Handset

Plot H4A: Lowest Channel Unwanted Emission Inside the Sub-Band (Traffic Carrier)

Plot H4B: Highest Channel Unwanted Emission Inside the Sub-Band (Traffic Carrier)

The plots of the unwanted emission inside the sub-band are saved as filename:
inband.pdf

INTERTEK TESTING SERVICES

Company: VTech Telecommunications Ltd.
Model: DS3211-2

Date of Test: January 19-21, 2009

4.3 Emissions Outside the Sub-Band, FCC Rule 15.323(d):

Emissions outside the sub-band shall be attenuated below a reference power of 112 mW (20.5 dBm) as follows:

1. 30 dB between the band edge and 1.25 MHz above or below the band;
2. 50 dB between 1.25 and 2.5 MHz above or below the band; and
3. 60 dB at 2.5 MHz or greater above or below the band, or shall not exceed the limits of FCC Rule 15.209.

Example: Calculation of Limit for emissions between the band edge and 1.25 MHz (1920.000 – 1918.750 MHz)

The emissions shall not exceed the Limit: 20.5 dBm – 30 dB = -9.5 dBm

Measurements are made in accordance with ANSI C63.17 sub-clause 6.1.6.2. As EUT has non-detachable antenna(s), radiated emissions test method is used for out-of-band emissions tests. Emissions that are directly caused by digital circuits in the transmit path and transmitter portion are measured. Test setup and procedures are described in section 3.2 Figure 3.2.1.

Test Results:

Base Unit & Handset:

Channel	Carrier Frequency (MHz)	Measured Band (MHz)	Limit (dBm)	Results
Lowest	1921.536	1920.000 - 1918.750	-9.5	Pass
		1918.750 - 1917.500	-29.5	Pass
		0.009 - 1917.500 & 1932.500 - 19300.000	-39.5 / FCC Rule 15.209	Pass
Highest	1928.448	1930.000 - 1931.250	-9.5	Pass
		1931.250 - 1932.500	-29.5	Pass
		0.009 - 1917.500 & 1932.500 - 19300.000	-39.5 / FCC Rule 15.209	Pass

Please refer to the section 4.3.1 to 4.3.4 for more details.

INTERTEK TESTING SERVICES

Company: VTech Telecommunications Ltd.
Model: DS3211-2
Mode: Transmission

Date of Test: January 19-21, 2009

4.3.1 Radiated Emissions Configuration Photographs:

Worst Case Radiated Emission
at

Base Unit: 5785.344 MHz

Handset: 7713.792 MHz

The worst case radiated emission configuration photographs are saved as filename:
config photos.pdf

INTERTEK TESTING SERVICES

Company: VTech Telecommunications Ltd.
Model: DS3211-2
Mode: Transmission

Date of Test: January 19-21, 2009

4.3.2 Radiated Emissions Data:

Data are included of the worst case configuration (the configuration which resulted in the highest emission levels). A sample calculation, configuration photographs and data tables of the emissions are included. All measurements were performed with peak detection unless otherwise specified.

The data in tables 1-10 list the significant emission frequencies, the limit and the margin of compliance.

Judgement -

Base Unit: Passed by 3.0 dB margin compare with the average limit

Handset: Passed by 7.9 dB margin compare with the peak limit

TEST ENGINEER:



Signature

Ken Sit, Assistant Manager
Typed/Printed Name

February 27, 2009
Date

INTERTEK TESTING SERVICES

Company: VTech Telecommunications Ltd.
Model: DS3211-2
Mode: Transmission

Date of Test: January 19-21, 2009

Table 1, Base Unit

Radiated Emissions Data
Pursuant To FCC Part 15 Section 15.323 (d) Emissions Requirements

Lowest Channel:

Polarization	Frequency (MHz)	Measured Power (dBm)	Power Limit (dBm)	Margin (dB)
V	1919.780	-43.6	-9.5	-34.1
V	1918.600	-51.4	-29.5	-21.9
V	1917.400	-53.6	-39.5	-14.1

NOTES:

1. Peak detector is used for the emission measurement.
2. All measurements were made at 3 meters.
3. Negative value in the margin column shows emission below limit.

INTERTEK TESTING SERVICES

Company: VTech Telecommunications Ltd.
Model: DS3211-2
Mode: Transmission

Date of Test: January 19-21, 2009

Table 2, Base Unit

Radiated Emissions Data Pursuant To FCC Part 15 Section 15.209 Emissions Requirements

Lowest Channel:

Polarization	Frequency (MHz)	Reading (dB μ V)	Pre-Amp Gain (dB)	Antenna Factor (dB)	Net at 3m - Peak (dB μ V/m)	Average Factor (dB)	Calculated at 3m (dB μ V/m)	Average Limit at 3m (dB μ V/m)	Margin (dB)
V	3843.072	63.7	33	33.3	64.0	15.6	48.4	54.0	-5.6
H	5764.608	62.6	33	36.6	66.2	15.6	50.6	54.0	-3.4
V	7686.144	57.8	33	38.9	63.7	15.6	48.1	54.0	-5.9
V	9607.680	50.8	33	40.4	58.2	15.6	42.6	54.0	-11.4
V	11529.216	55.3	33	40.5	62.8	15.6	47.2	54.0	-6.8

Polarization	Frequency (MHz)	Reading (dB μ V)	Pre-Amp Gain (dB)	Antenna Factor (dB)	Net at 3m - Peak (dB μ V/m)	Peak Limit at 3m (dB μ V/m)	Margin (dB)
V	3843.072	63.7	33	33.3	64.0	74.0	-10.0
H	5764.608	62.6	33	36.6	66.2	74.0	-7.8
V	7686.144	57.8	33	38.9	63.7	74.0	-10.3
V	9607.680	50.8	33	40.4	58.2	74.0	-15.8
V	11529.216	55.3	33	40.5	62.8	74.0	-11.2

NOTES:

1. Peak detector is used for the emission measurement over 1000 MHz.
2. All measurements were made at 3 meters.
3. Negative value in the margin column shows emission below limit.

INTERTEK TESTING SERVICES

Company: VTech Telecommunications Ltd.
Model: DS3211-2
Mode: Transmission

Date of Test: January 19-21, 2009

Table 3, Base Unit

Radiated Emissions Data
Pursuant To FCC Part 15 Section 15.323 (d) Emissions Requirements

Highest Channel:

Polarization	Frequency (MHz)	Measured Power (dBm)	Power Limit (dBm)	Margin (dB)
V	1930.115	-43.1	-9.5	-33.6
V	1931.306	-50.8	-29.5	-21.3
V	1932.600	-53.1	-39.5	-13.6

NOTES:

1. Peak detector is used for the emission measurement.
2. All measurements were made at 3 meters.
3. Negative value in the margin column shows emission below limit.

INTERTEK TESTING SERVICES

Company: VTech Telecommunications Ltd.
Model: DS3211-2
Mode: Transmission

Date of Test: January 19-21, 2009

Table 4, Base Unit

Radiated Emissions Data Pursuant To FCC Part 15 Section 15.209 Emissions Requirements

Highest Channel:

Polarization	Frequency (MHz)	Reading (dB μ V)	Pre-Amp Gain (dB)	Antenna Factor (dB)	Net at 3m - Peak (dB μ V/m)	Average Factor (dB)	Calculated at 3m (dB μ V/m)	Average Limit at 3m (dB μ V/m)	Margin (dB)
V	3856.896	64.2	33	33.3	64.5	15.6	48.9	54.0	-5.1
H	5785.344	63.0	33	36.6	66.6	15.6	51.0	54.0	-3.0
V	7713.792	57.9	33	38.9	63.8	15.6	48.2	54.0	-5.8
V	9642.240	51.3	33	40.4	58.7	15.6	43.1	54.0	-10.9
V	11570.688	55.6	33	40.5	63.1	15.6	47.5	54.0	-6.5

Polarization	Frequency (MHz)	Reading (dB μ V)	Pre-Amp Gain (dB)	Antenna Factor (dB)	Net at 3m - Peak (dB μ V/m)	Peak Limit at 3m (dB μ V/m)	Margin (dB)
V	3856.896	64.2	33	33.3	64.5	74.0	-9.5
H	5785.344	63.0	33	36.6	66.6	74.0	-7.4
V	7713.792	57.9	33	38.9	63.8	74.0	-10.2
V	9642.240	51.3	33	40.4	58.7	74.0	-15.3
V	11570.688	55.6	33	40.5	63.1	74.0	-10.9

NOTES:

1. Peak detector is used for the emission measurement over 1000 MHz.
2. All measurements were made at 3 meters.
3. Negative value in the margin column shows emission below limit.

INTERTEK TESTING SERVICES

Company: VTech Telecommunications Ltd.
Model: DS3211-2
Mode: Talk

Date of Test: January 19-21, 2009

Table 5, Base Unit

Radiated Emissions Data
Pursuant To FCC Part 15 Section 15.323 (d) Emissions Requirements

Polarization	Frequency (MHz)	Measured Power (dBm)	Power Limit (dBm)	Margin (dB)
V	55.300	-63.8	-39.5	-24.3
V	82.950	-63.6	-39.5	-24.1
H	221.200	-63.7	-39.5	-24.2
H	276.300	-64.4	-39.5	-24.9
H	152.064	-64.2	-39.5	-24.7
H	165.899	-64.8	-39.5	-25.3

NOTES:

1. Peak detector is used for the emission measurement.
2. All measurements were made at 3 meters.
3. Negative value in the margin column shows emission below limit.

INTERTEK TESTING SERVICES

Company: VTech Telecommunications Ltd.
Model: DS3211-2
Mode: Transmission

Date of Test: January 19-21, 2009

Table 6, Handset

Radiated Emissions Data
Pursuant To FCC Part 15 Section 15.323 (d) Emissions Requirements

Lowest Channel:

Polarization	Frequency (MHz)	Measured Power (dBm)	Power Limit (dBm)	Margin (dB)
V	1919.105	-45.2	-9.5	-35.7
V	1918.600	-51.2	-29.5	-21.7
V	1916.500	-52.6	-39.5	-13.1

NOTES:

1. Peak detector is used for the emission measurement.
2. All measurements were made at 3 meters.
3. Negative value in the margin column shows emission below limit.

INTERTEK TESTING SERVICES

Company: VTech Telecommunications Ltd.
Model: DS3211-2
Mode: Transmission

Date of Test: January 19-21, 2009

Table 7, Handset

Radiated Emissions Data Pursuant To FCC Part 15 Section 15.209 Emissions Requirements

Lowest Channel:

Polarization	Frequency (MHz)	Reading (dB μ V)	Pre-Amp Gain (dB)	Antenna Factor (dB)	Net at 3m - Peak (dB μ V/m)	Average Factor (dB)	Calculated at 3m (dB μ V/m)	Average Limit at 3m (dB μ V/m)	Margin (dB)
V	3843.072	61.9	33	33.3	62.2	28.2	34.0	54.0	-20.0
H	5764.608	61.0	33	36.6	64.6	28.2	36.4	54.0	-17.6
H	7686.144	60.1	33	38.9	66.0	28.2	37.8	54.0	-16.2
H	9607.680	53.0	33	40.4	60.4	28.2	32.2	54.0	-21.8
H	11529.216	55.0	33	40.5	62.5	28.2	34.3	54.0	-19.7

Polarization	Frequency (MHz)	Reading (dB μ V)	Pre-Amp Gain (dB)	Antenna Factor (dB)	Net at 3m - Peak (dB μ V/m)	Peak Limit at 3m (dB μ V/m)	Margin (dB)
V	3843.072	61.9	33	33.3	62.2	74.0	-11.8
H	5764.608	61.0	33	36.6	64.6	74.0	-9.4
H	7686.144	60.1	33	38.9	66.0	74.0	-8.0
H	9607.680	53.0	33	40.4	60.4	74.0	-13.6
H	11529.216	55.0	33	40.5	62.5	74.0	-11.5

NOTES:

1. Peak detector is used for the emission measurement over 1000 MHz.
2. All measurements were made at 3 meters.
3. Negative value in the margin column shows emission below limit.

INTERTEK TESTING SERVICES

Company: VTech Telecommunications Ltd.
Model: DS3211-2
Mode: Transmission

Date of Test: January 19-21, 2009

Table 8, Handset

Radiated Emissions Data
Pursuant To FCC Part 15 Section 15.323 (d) Emissions Requirements

Highest Channel:

Polarization	Frequency (MHz)	Measured Power (dBm)	Power Limit (dBm)	Margin (dB)
V	1930.405	-43.6	-9.5	-34.1
V	1931.405	-51.5	-29.5	-22.0
V	1932.600	-48.2	-39.5	-8.7

NOTES:

1. Peak detector is used for the emission measurement.
2. All measurements were made at 3 meters.
3. Negative value in the margin column shows emission below limit.

INTERTEK TESTING SERVICES

Company: VTech Telecommunications Ltd.
Model: DS3211-2
Mode: Transmission

Date of Test: January 19-21, 2009

Table 9, Handset

Radiated Emissions Data Pursuant To FCC Part 15 Section 15.209 Emissions Requirements

Highest Channel:

Polarization	Frequency (MHz)	Reading (dB μ V)	Pre-Amp Gain (dB)	Antenna Factor (dB)	Net at 3m - Peak (dB μ V/m)	Average Factor (dB)	Calculated at 3m (dB μ V/m)	Average Limit at 3m (dB μ V/m)	Margin (dB)
V	3856.896	62.5	33	33.3	62.8	28.2	34.6	54.0	-19.4
H	5785.344	60.4	33	36.6	64.0	28.2	35.8	54.0	-18.2
H	7713.792	60.2	33	38.9	66.1	28.2	37.9	54.0	-16.1
H	9642.240	53.7	33	40.4	61.1	28.2	32.9	54.0	-21.1
H	11570.688	54.7	33	40.5	62.2	28.2	34.0	54.0	-20.0

Polarization	Frequency (MHz)	Reading (dB μ V)	Pre-Amp Gain (dB)	Antenna Factor (dB)	Net at 3m - Peak (dB μ V/m)	Peak Limit at 3m (dB μ V/m)	Margin (dB)
V	3856.896	62.5	33	33.3	62.8	74.0	-11.2
H	5785.344	60.4	33	36.6	64.0	74.0	-10.0
H	7713.792	60.2	33	38.9	66.1	74.0	-7.9
H	9642.240	53.7	33	40.4	61.1	74.0	-12.9
H	11570.688	54.7	33	40.5	62.2	74.0	-11.8

NOTES:

1. Peak detector is used for the emission measurement over 1000 MHz.
2. All measurements were made at 3 meters.
3. Negative value in the margin column shows emission below limit.

INTERTEK TESTING SERVICES

Company: VTech Telecommunications Ltd.
Model: DS3211-2
Mode: Talk

Date of Test: January 19-21, 2009

Table 10, Handset

Radiated Emissions Data
Pursuant To FCC Part 15 Section 15.323 (d) Emissions Requirements

Polarization	Frequency (MHz)	Measured Power (dBm)	Power Limit (dBm)	Margin (dB)
V	41.648	-64.6	-39.5	-25.1
V	55.296	-65.1	-39.5	-25.6
V	69.120	-64.8	-39.5	-25.3
V	82.944	-64.1	-39.5	-24.6
V	152.064	-64.4	-39.5	-24.9
V	165.890	-64.6	-39.5	-25.1

NOTES:

1. Peak detector is used for the emission measurement.
2. All measurements were made at 3 meters.
3. Negative value in the margin column shows emission below limit.

INTERTEK TESTING SERVICES

Company: VTech Telecommunications Ltd.
Model: DS3211-2

Date of Test: January 19-21, 2009

4.3.3 Field Strength Calculation

The field strength is calculated by adding the reading on the Spectrum Analyzer to the factors associated with preamplifiers (if any), antennas, cables, pulse desensitization and average factors (when specified limit is in average and measurements are made with peak detectors). A sample calculation is included below.

$$FS = RA + AF + CF - AG + PD + AV$$

Where

- FS = Field Strength in dB μ V/m
- RA = Receiver Amplitude (including preamplifier) in dB μ V
- CF = Cable Attenuation Factor in dB
- AF = Antenna Factor in dB
- AG = Amplifier Gain in dB
- PD = Pulse Desensitization in dB
- AV = Average Factor in -dB

In the radiated emission table which follows, the reading shown on the data table may reflect the preamplifier gain. An example of the calculations, where the reading does not reflect the preamplifier gain, follows:

$$FS = RA + AF + CF - AG + PD + AV$$

Example

Assume a receiver reading of 62.0 dB μ V is obtained. The antenna factor of 7.4 dB and cable factor of 1.6 dB is added. The amplifier gain of 29.0 dB is subtracted. The pulse desensitization factor of the spectrum analyzer is 0.0 dB, and the resultant average factor is -10.0 dB. The net field strength for comparison to the appropriate emission limit is 32.0 dB μ V/m. This value in dB μ V/m is converted to its corresponding level in μ V/m.

RA = 62.0 dB μ V
AF = 7.4 dB
CF = 1.6 dB
AG = 29.0 dB
PD = 0.0 dB
AV = -10 dB

$$FS = 62.0 + 7.4 + 1.6 - 29.0 + 0.0 + (-10.0) = 32.0 \text{ dB}\mu\text{V/m}$$

$$\text{Level in mV/m} = \text{Common Antilogarithm} [(32.0 \text{ dB}\mu\text{V/m})/20] = 39.8 \mu\text{V/m}$$

INTERTEK TESTING SERVICES

Company: VTech Telecommunications Ltd.
Model: DS3211-2

Date of Test: January 19-21, 2009

4.3.4 Transmitter Duty Cycle Calculation and Measurements, FCC Rule 15.35(b), (c)

Base Unit:

$$\begin{aligned}\text{Duty Cycle (DC)} &= \text{Maximum ON time in 10ms/10ms} \\ &= (4 \times 1 \times 0.388\text{ms} + 0.102\text{ms})/10\text{ms}\end{aligned}$$

$$\begin{aligned}\text{Average Factor (AF)} &= 20 \log (\text{DC}) \\ &= 20^* \log (0.1654) \\ &= -15.6\text{dB}\end{aligned}$$

Handset:

$$\begin{aligned}\text{Duty Cycle (DC)} &= \text{Maximum ON time in 10ms/10ms} \\ &= (1 \times 0.388\text{ms})/10\text{ms}\end{aligned}$$

$$\begin{aligned}\text{Average Factor (AF)} &= 20 \log (\text{DC}) \\ &= 20^* \log (0.0388) \\ &= -28.2\text{dB}\end{aligned}$$

[x] The EUT antenna output port was connected to the input of the spectrum analyzer. The analyzer center frequency was set to EUT RF channel carrier. The SPAN function on the analyzer was set to ZERO. The transmitter ON time was determined from the resultant time-amplitude display:

Please refer to the attached plots for more details:

Base Unit

Plot B5A: Transmitter ON Time Measurements (Traffic Carrier)

Plot B5B: Transmitter ON Time Measurements (Dummy Carrier)

Handset

Plot H5A: Transmitter ON Time Measurements (Traffic Carrier)

The plots of Transmitter ON Time Measurements are saved as filename: dcc.pdf

[] Please refer to the attached transmitter timing diagram that are provided by manufacturer

[] Not applicable - No average factor is required.

[] Please refer to Exhibit 2.2 Technical Description for more details

INTERTEK TESTING SERVICES

Company: VTech Telecommunications Ltd.
Model: DS3211-2

Date of Test: January 19-21, 2009

4.4 AC Power Lines Conducted Emissions from Transmitter portion of EUT, FCC Rule 15.315:

The AC power lines conducted emission shall not exceed the limits of FCC Rule 15.207.

Measurements are made in accordance with ANSI C63.4 sub-clause 7. Emissions that are directly caused by digital circuits in the transmit path and transmitter portion are measured.

- Not applicable – EUT is only powered by battery for operation.
- EUT connects to AC power lines. Emission Data are listed in following pages. Please refer to the section 4.4.1 to 4.4.2 for more details.

INTERTEK TESTING SERVICES

Company: VTech Telecommunications Ltd.
Model: DS3211-2
Mode: Talk

Date of Test: January 19-21, 2009

4.4.1 AC Power Lines Conducted Emissions Configuration Photographs:

Worst Case AC Power Line Conducted Emission

The worst case AC power Line conducted emission configuration photographs are saved as filename: config photos.pdf

INTERTEK TESTING SERVICES

Company: VTech Telecommunications Ltd.
Model: DS3211-2
Mode: Talk

Date of Test: January 19-21, 2009

4.4.2 AC Power Line Conducted Emissions Data:

The data on the following pages list the significant emission frequencies, the limit, and the margin of compliance.

Judgment –

Base Unit: Passed by more than 20 dB margin

The worst case AC power line conducted emission data are saved as filename:
conduct.pdf

TEST ENGINEER:



Signature

Ken Sit, Assistant Manager
Typed/Printed Name

February 27, 2009
Date

INTERTEK TESTING SERVICES

Company: VTech Telecommunications Ltd.
Model: DS3211-2

Date of Test: January 19-21, 2009

4.5 Radio Frequency Radiation Exposure, FCC Rule 15.319(i):

EUT is subject to the radio frequency exposure requirements specified in FCC Rule §§ 1.1307(b), 2.1091 and 2.1093. It shall be considered to operate in a “general population / uncontrolled” environment.

- [x] Handset Unit: EUT was evaluated for Specific Absorption Rate (SAR) evaluation compliance according to OET Bulletin 65, Supplement C (Edition 01-01). It is in compliance with the SAR evaluation requirements. The caution statement specified in the user manual. A SAR test report was submitted at the same time and saved as SAR Report.pdf

- [x] Base Unit: EUT was evaluated for Maximum Permissible Exposure (MPE) evaluation compliance according to OET Bulletin 65, Supplement C (Edition 01-01). The evaluation calculation results are saved as filename: RF exposure info.pdf.