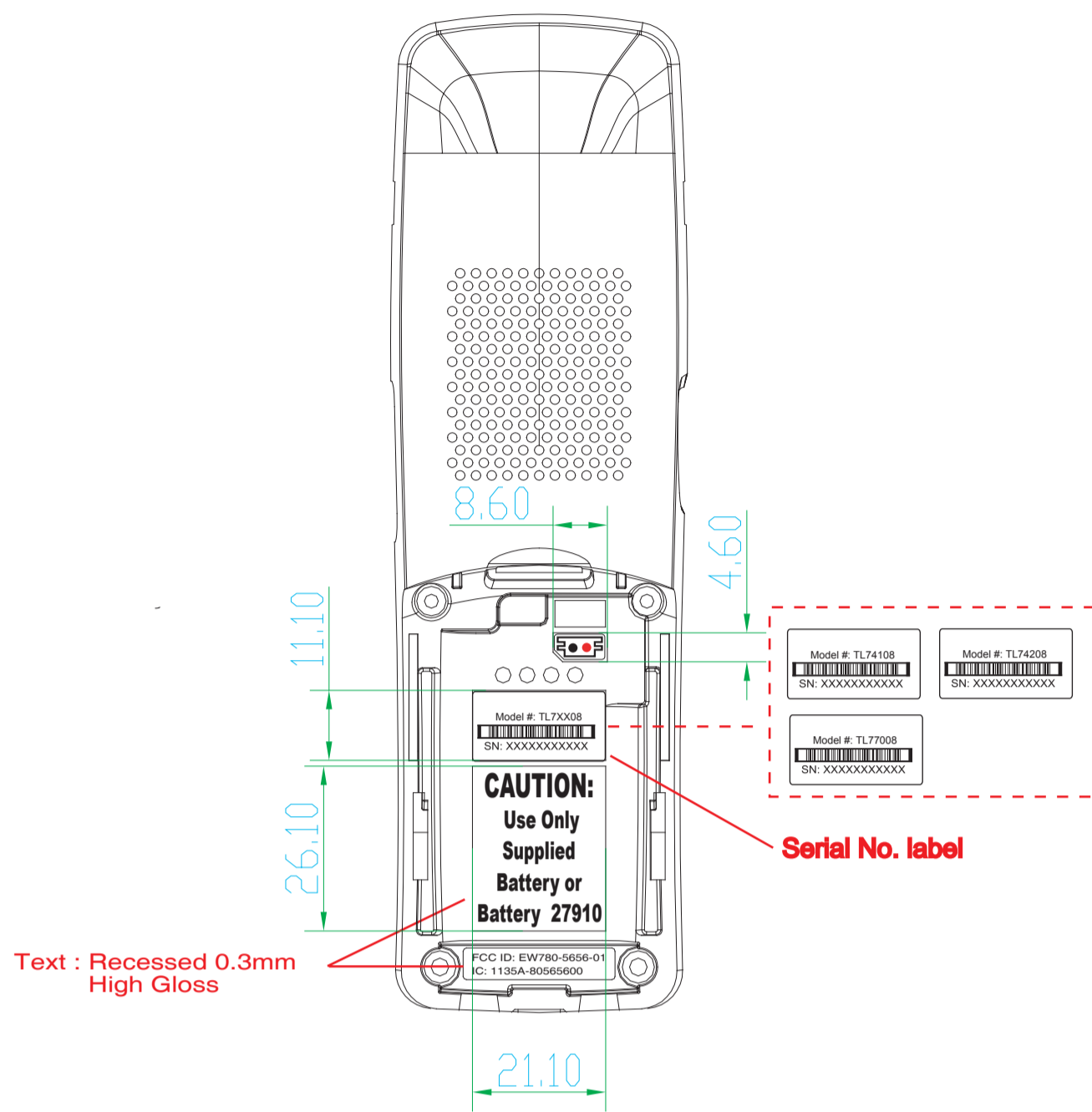


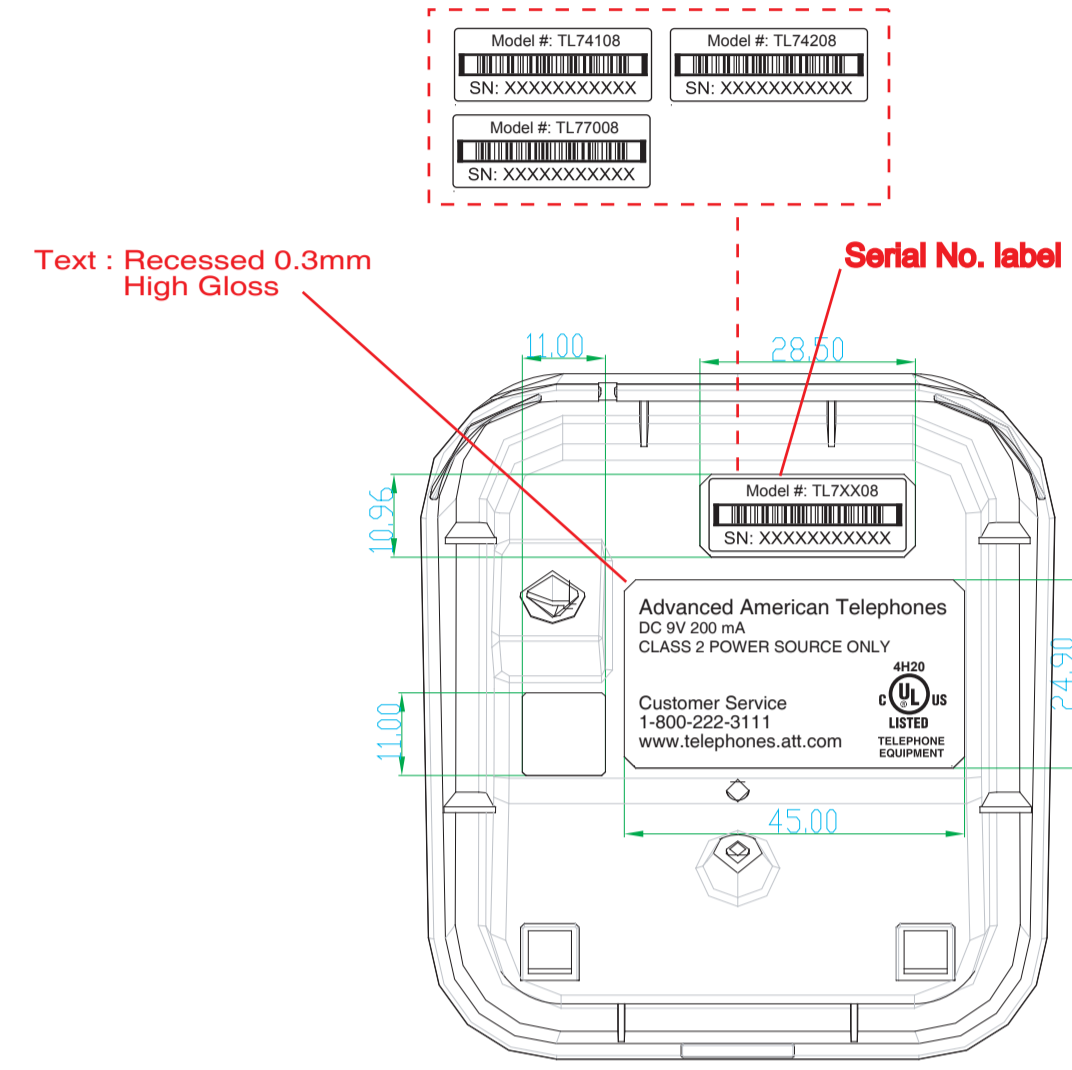
ENGRAVING OF

1. TL74108 (BS+1HS+CHG)
2. TL74208 (BS+2HS+2CHG)
3. TL77008 (CHG+HS)

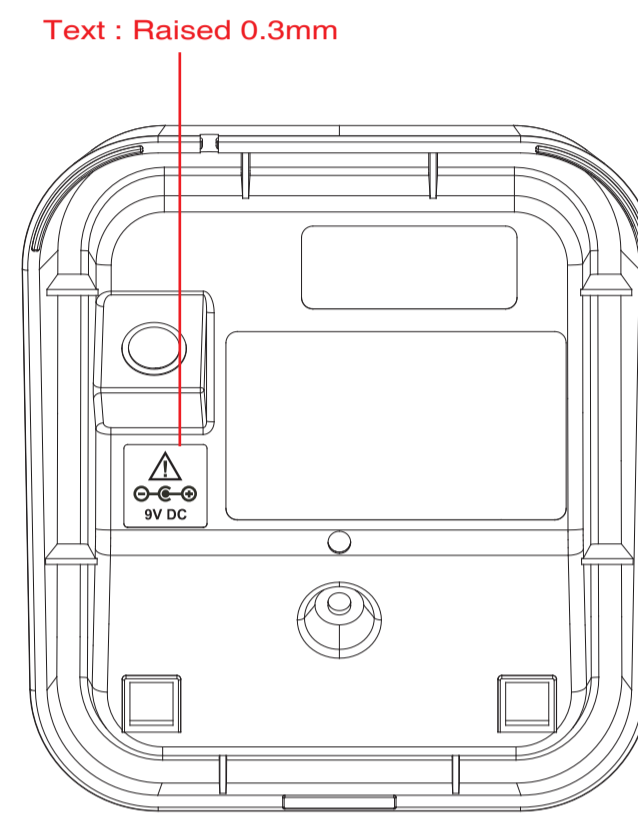
Update Time: Nov 06, 07



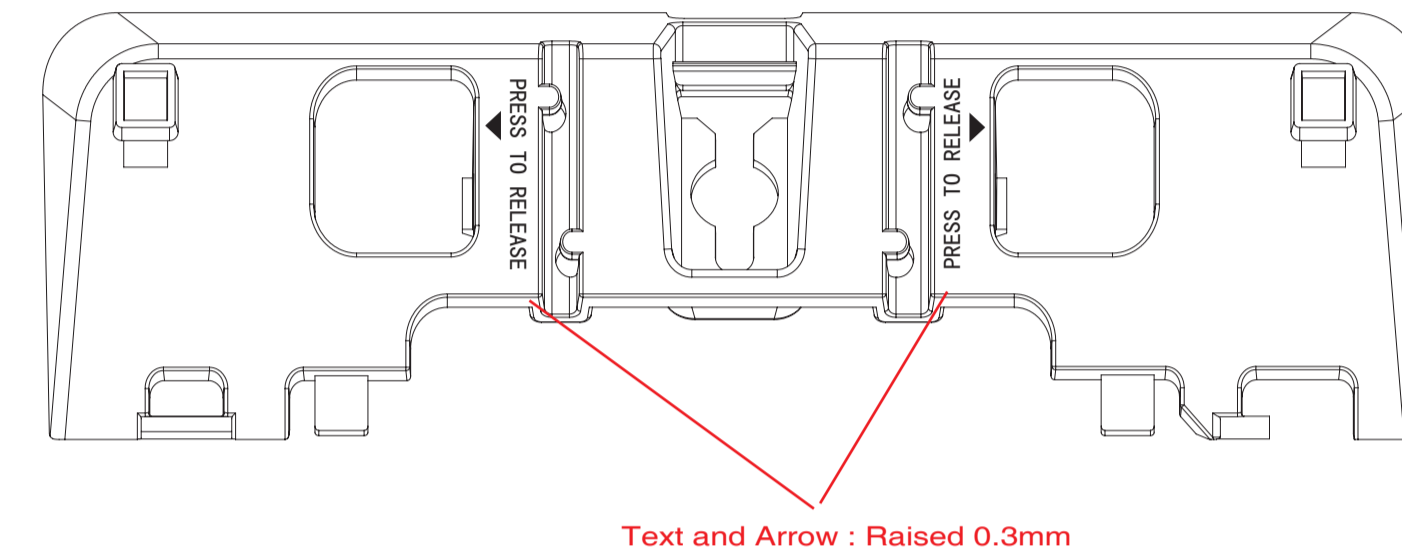
30-008266
HS REAR



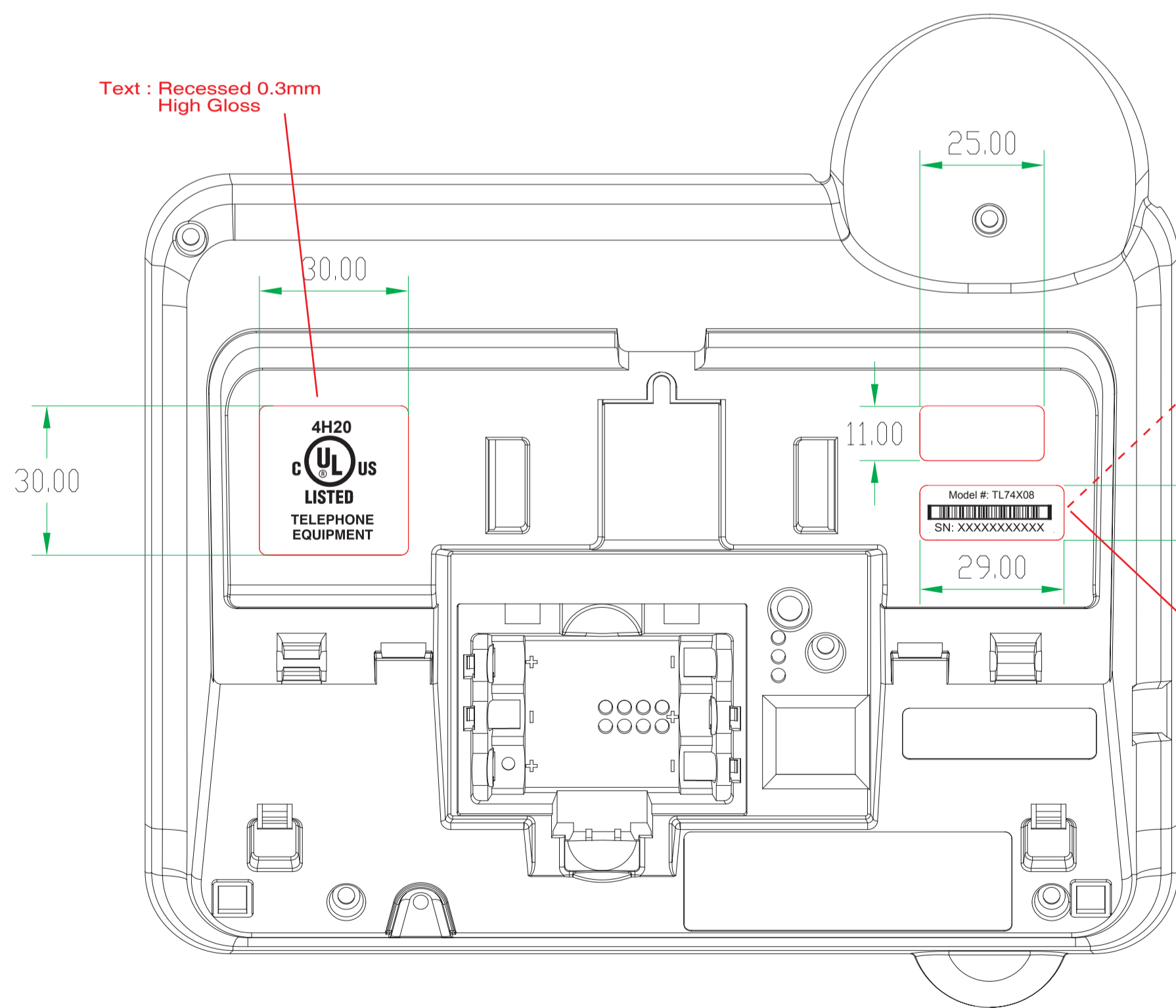
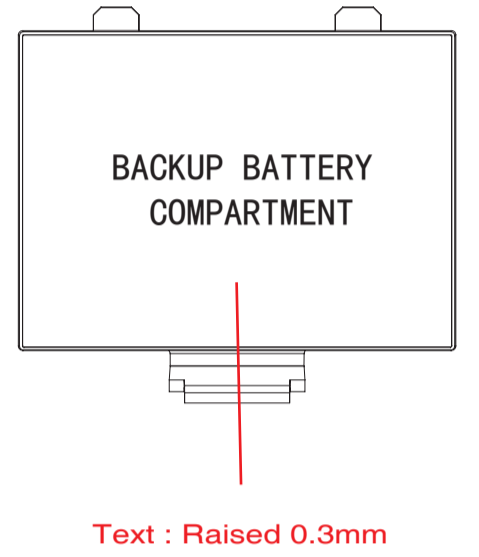
30-008278
CHARGER BOTTOM



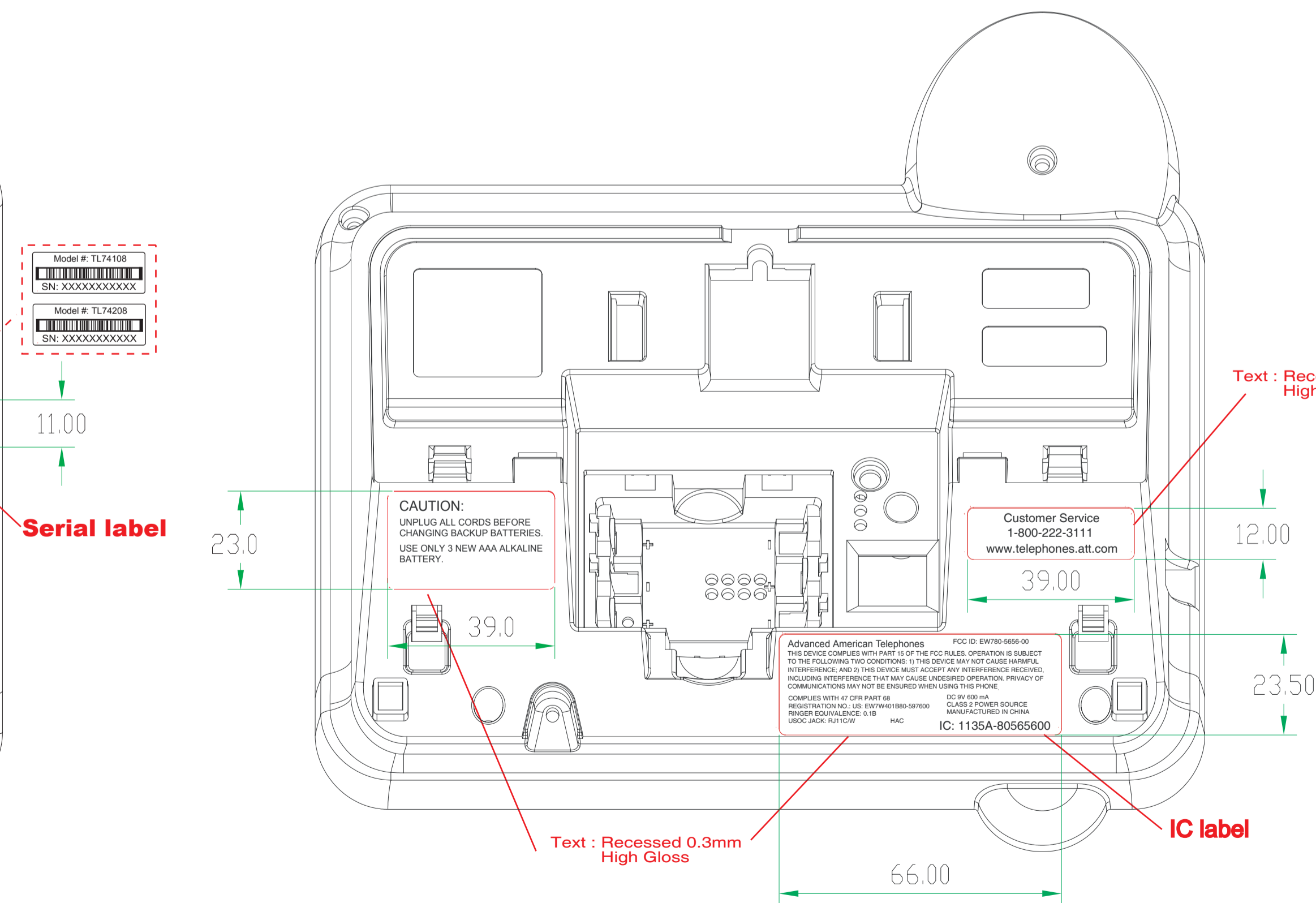
30-008165
WALL MOUNT



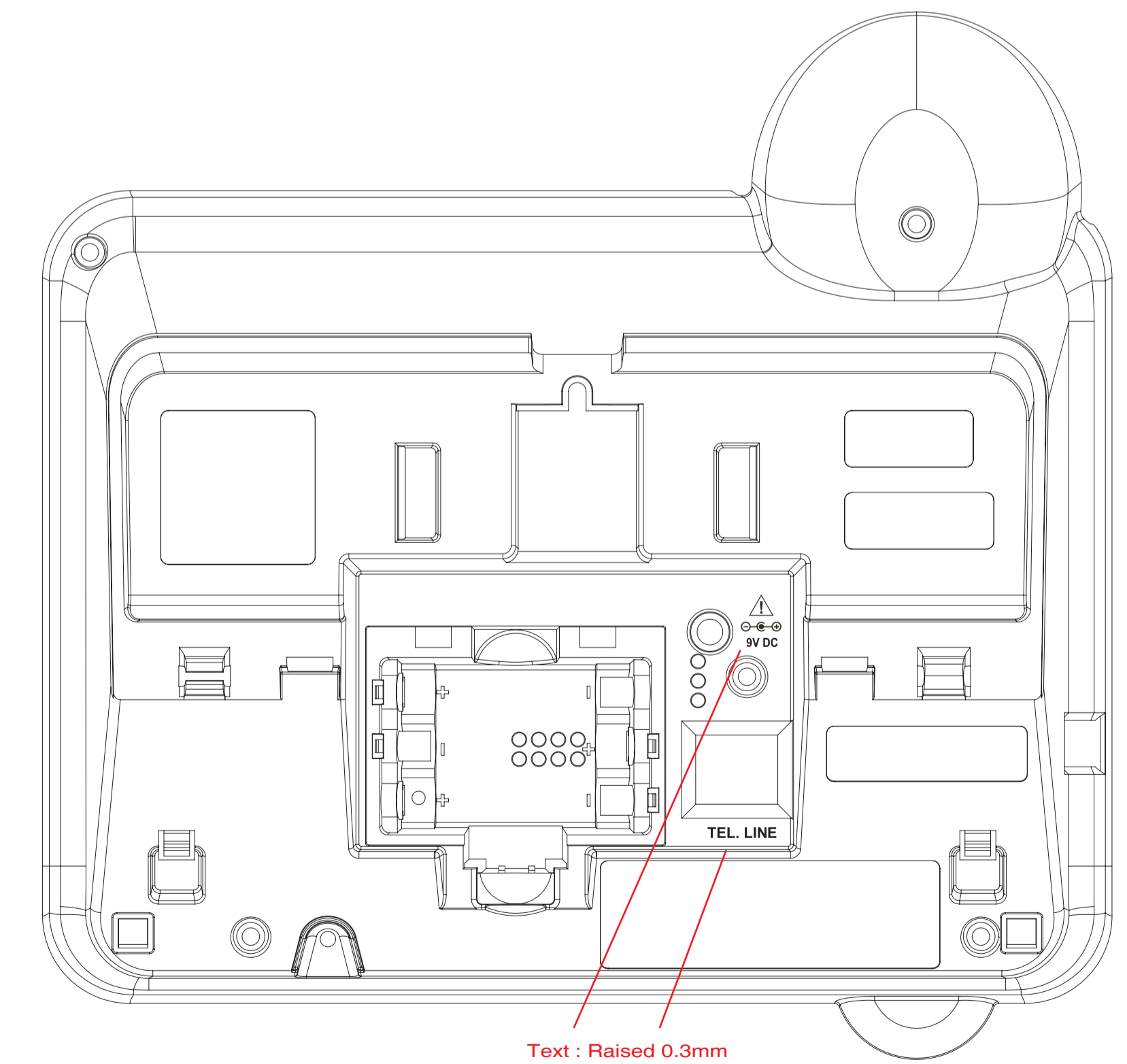
30-008177
BATTERY DOOR



30-008164
BS BOTTOM (1)



30-008164
BS BOTTOM (2)



30-008164
BS BOTTOM (3)