

Handset audio

The audio circuits in the handset provide for speech exchange between the audio transducers (ear-piece receiver and microphone) and the RF module that communicates with the base. Figure 2 shows the circuitry for audio processing in the handset.

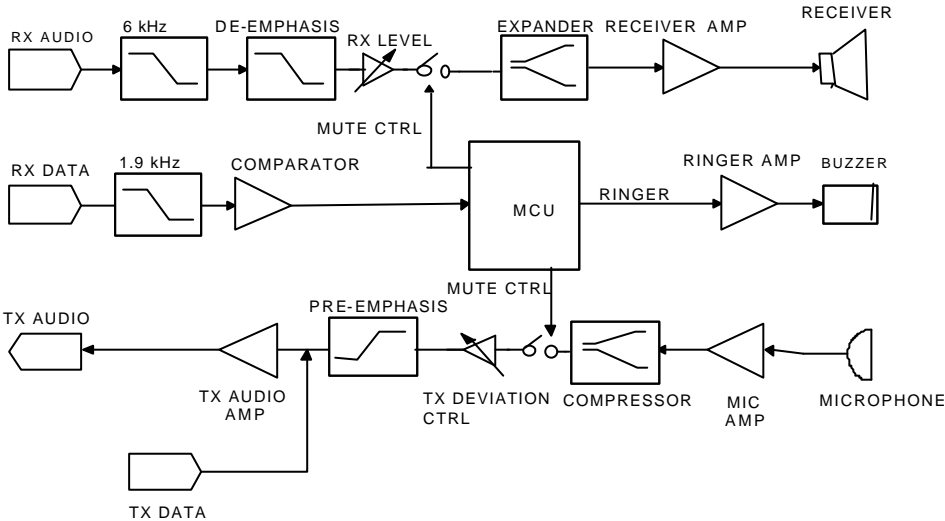


Figure 2. Audio Circuits in Handset

Handset RF module

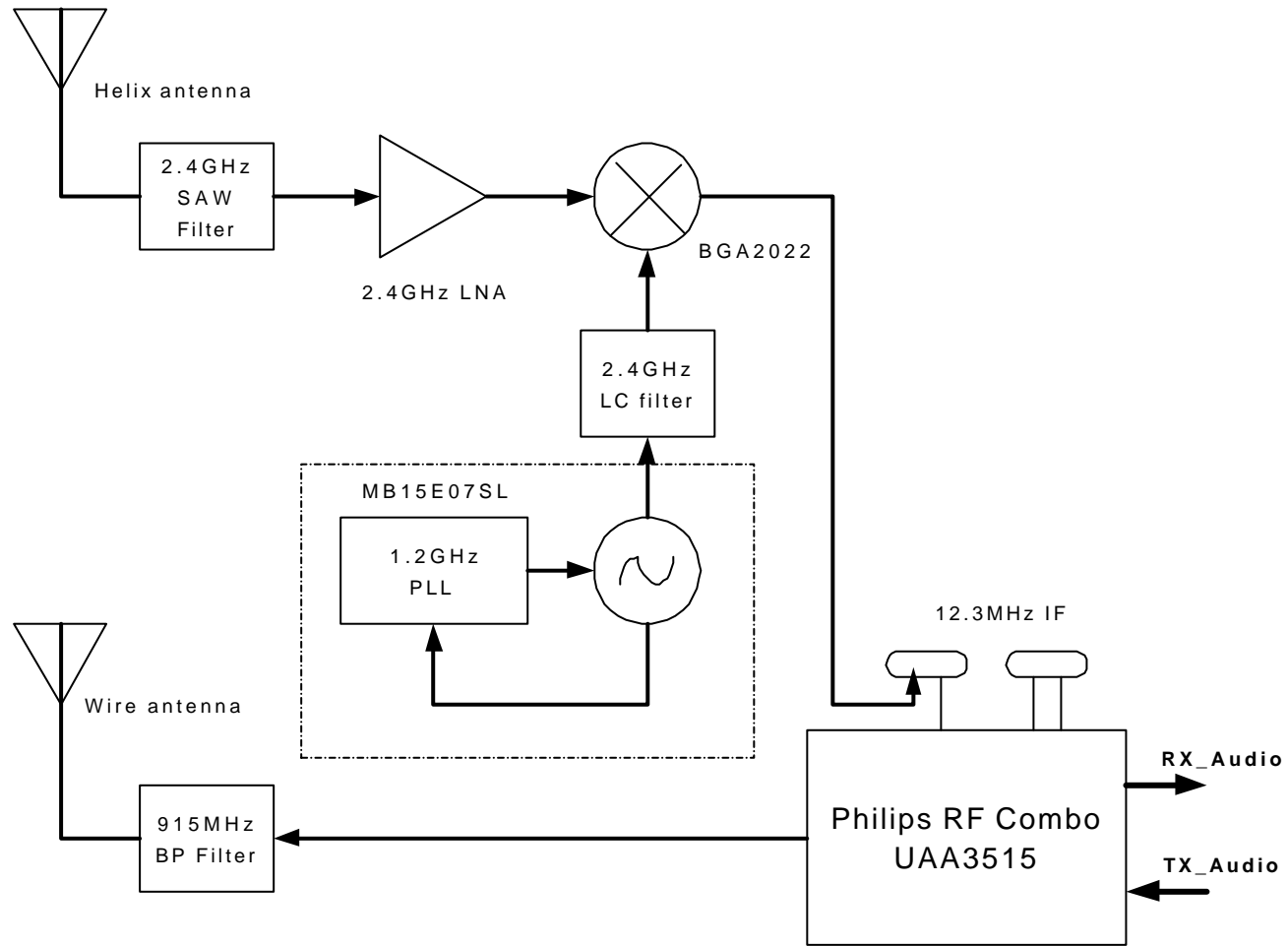


Figure 3. RF Circuits in Handset Unit