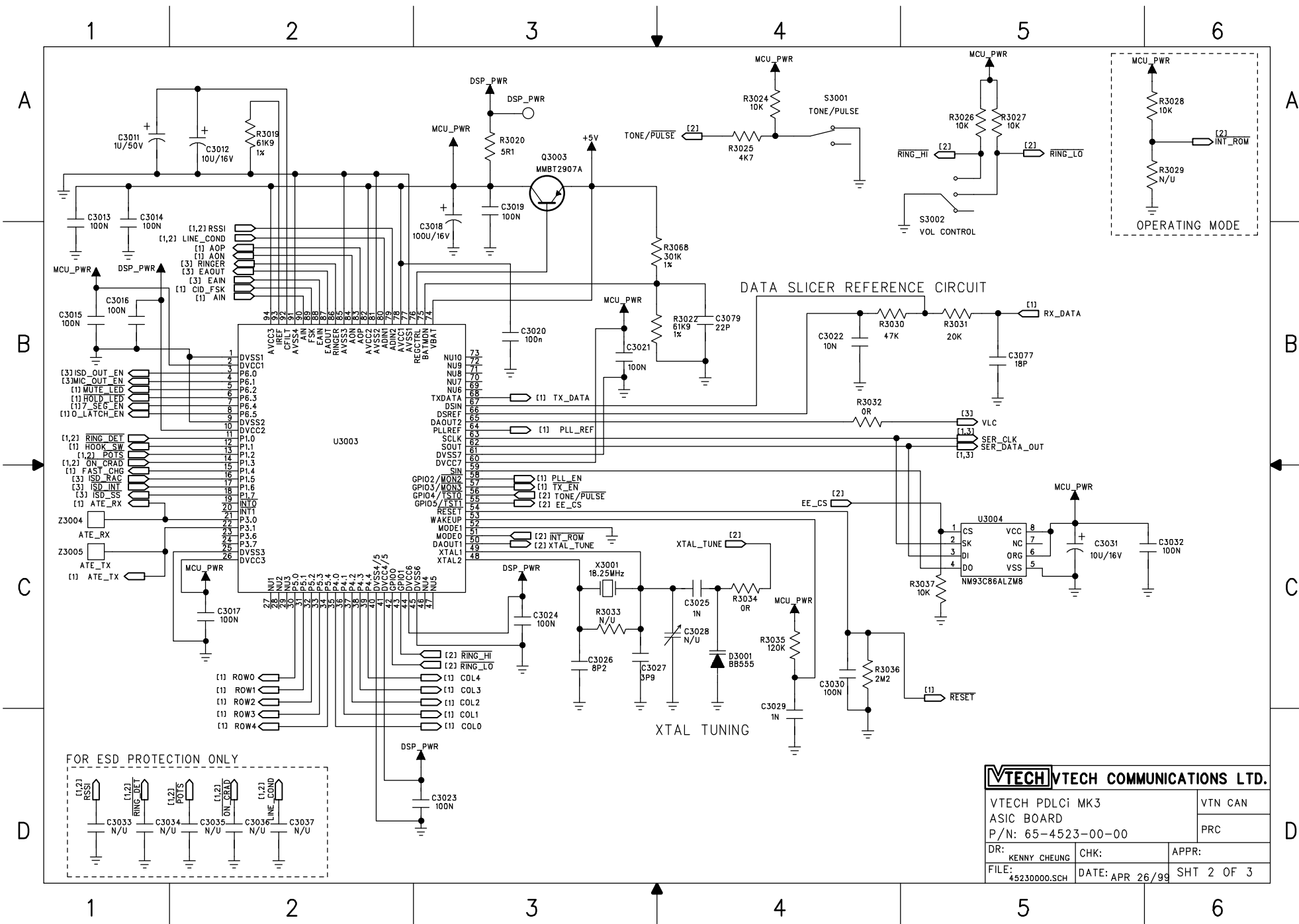


**VTECH VTECH COMMUNICATIONS LTD.**

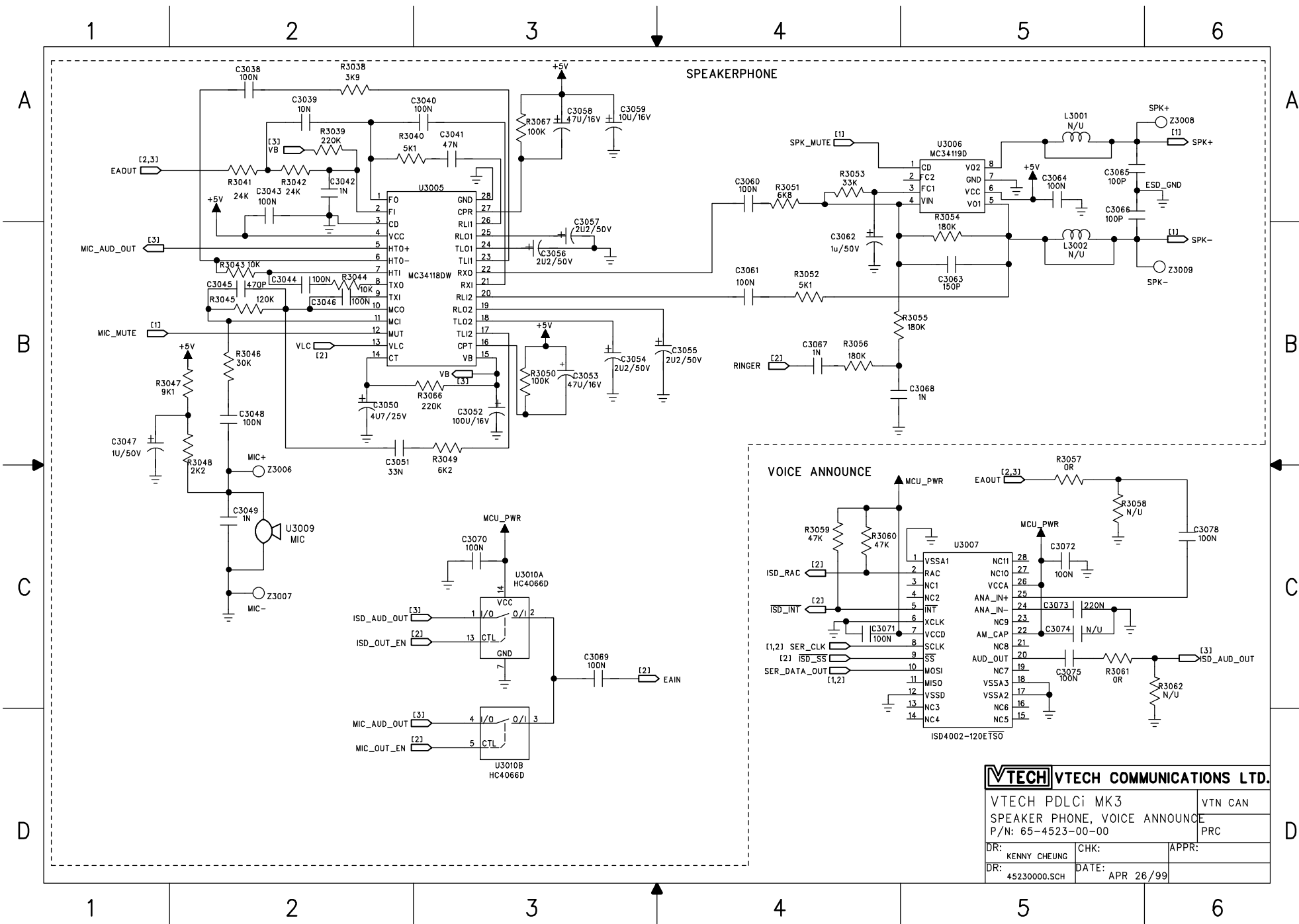
VTECH PDLGi MK3  
ASIC BOARD CONNECTORS  
P/N: 65-4523-00-00

VTN CAN  
PRC

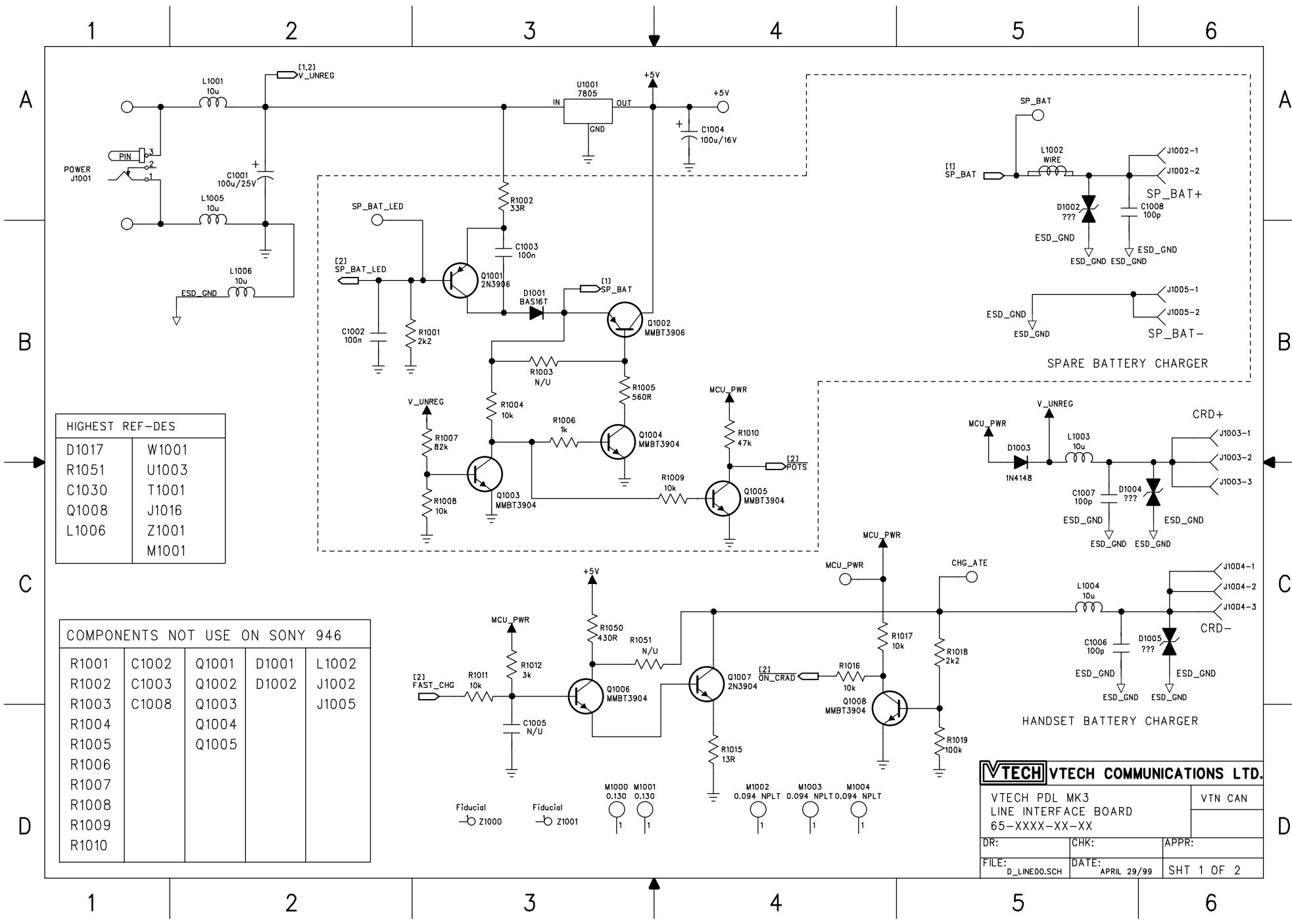
DR: KENNY CHEUNG    CHK:    APPR:  
FILE: 45230000.SCH    DATE: APR26/99    SHT 1 OF 3



<b>VTech</b> VTech Communications Ltd.		
VTech PDLci MK3		VTN CAN
ASIC BOARD		PRC
P/N: 65-4523-00-00		
DR: KENNY CHEUNG	CHK:	APPR:
FILE: 45230000.SCH	DATE: APR 26/99	SHT 2 OF 3



<b>VTECH</b> VTECH COMMUNICATIONS LTD.		
VTECH PDLCi MK3		VTN CAN
SPEAKER PHONE, VOICE ANNOUNCE		PRC
DR: KENNY CHEUNG	CHK:	APPR:
DR: 45230000.SCH	DATE: APR 26/99	



HIGHEST REF-DES

D1017	W1001
R1051	U1003
C1030	T1001
Q1008	J1016
L1006	Z1001
	M1001

COMPONENTS NOT USE ON SONY 946

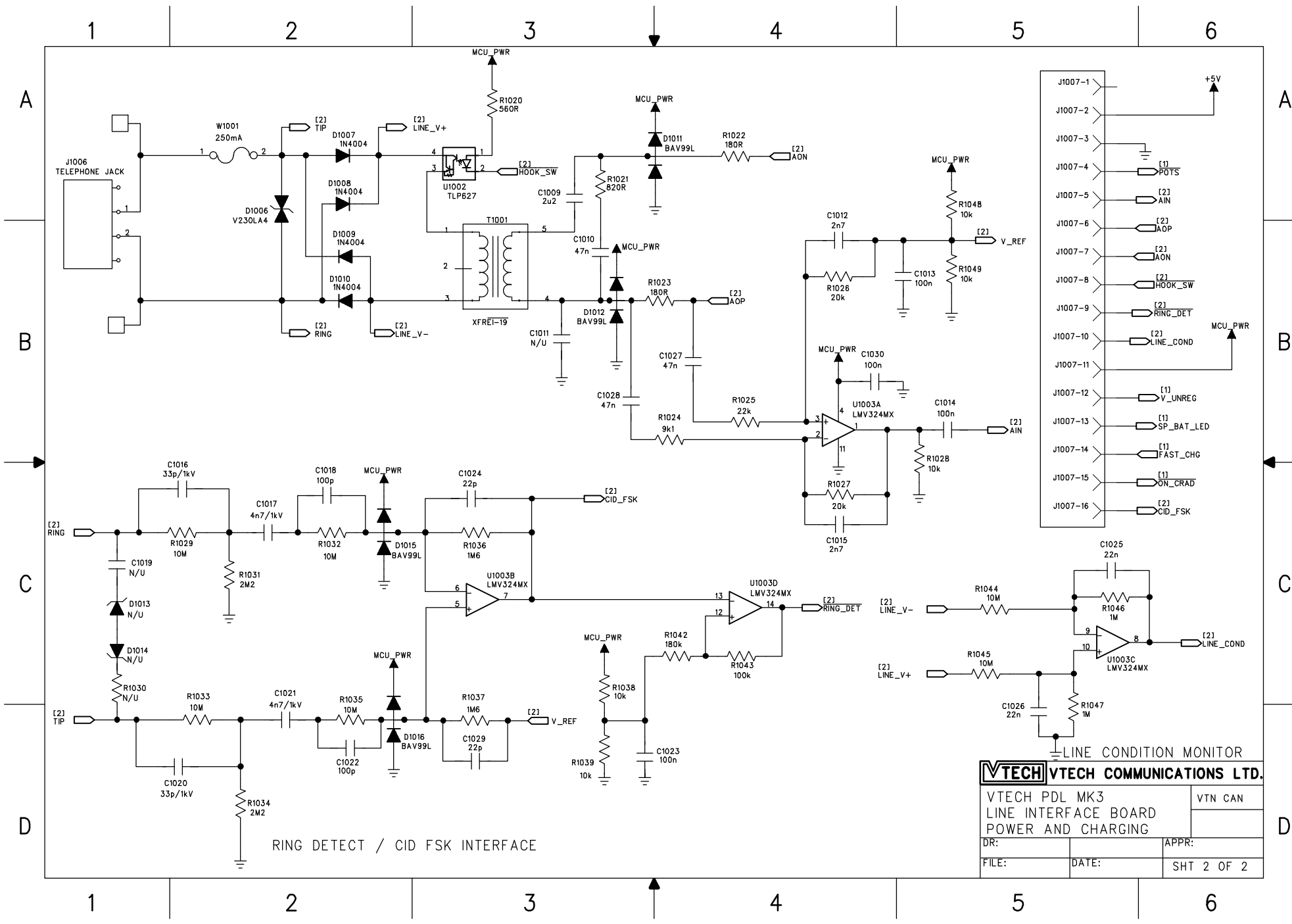
R1001	C1002	Q1001	D1001	L1002
R1002	C1003	Q1002	D1002	J1002
R1003	C1008	Q1003		J1005
R1004		Q1004		
R1005		Q1005		
R1006				
R1007				
R1008				
R1009				
R1010				

**VTECH VTECH COMMUNICATIONS LTD.**

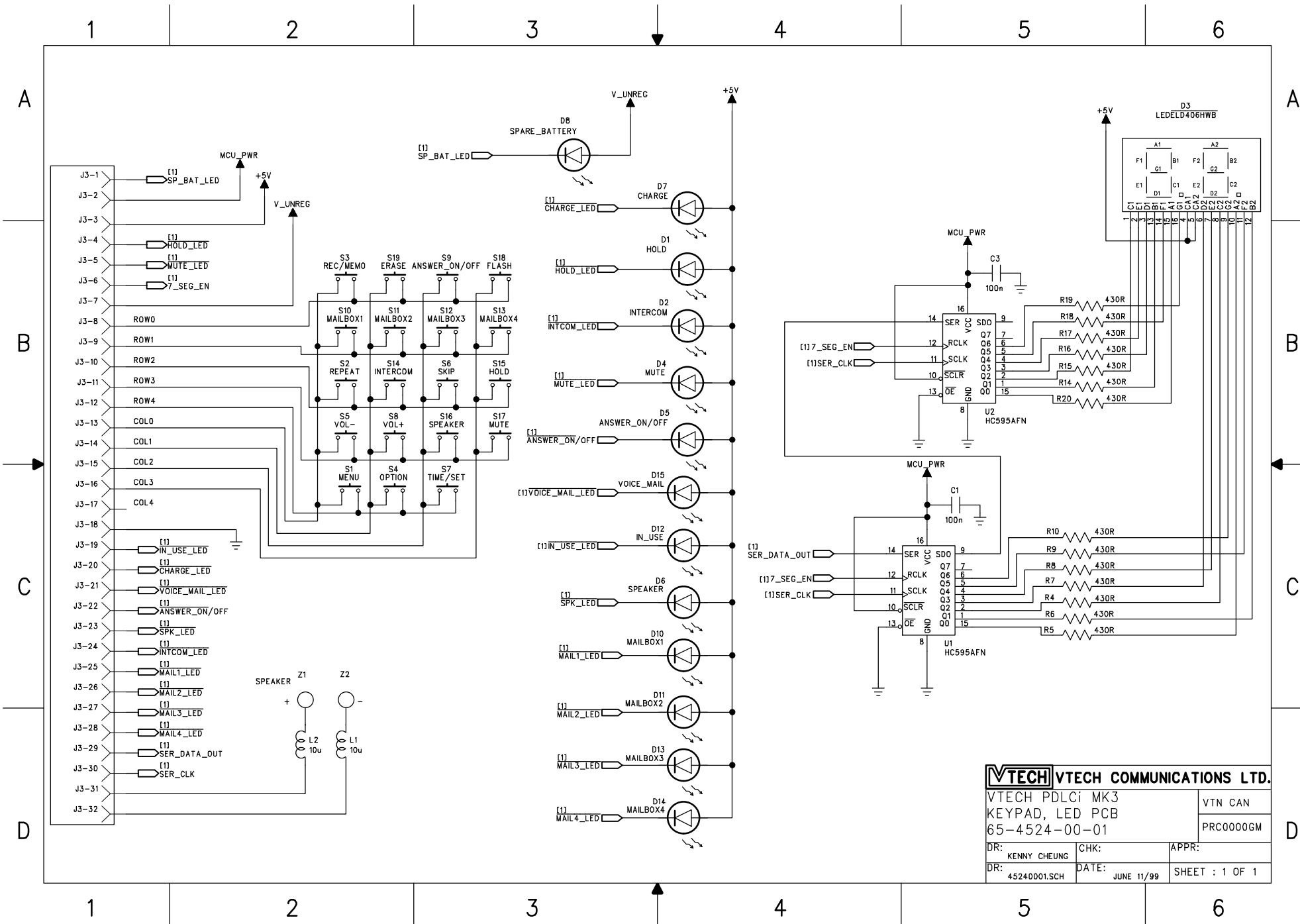
VTECH PDL MK3  
 LINE INTERFACE BOARD  
 65-XXXX-XX-XX

VTN CAN

DR: \_\_\_\_\_ CHK: \_\_\_\_\_ APPR: \_\_\_\_\_  
 FILE: D\_LINE00.SCH DATE: APRIL 29/99 SHT 1 OF 2



<b>VTECH</b> VTECH COMMUNICATIONS LTD.	
VTECH PDL MK3 LINE INTERFACE BOARD POWER AND CHARGING	VTN CAN
DR:	APPR:
FILE:	DATE:
SHT 2 OF 2	



<b>VTECH</b> VTECH COMMUNICATIONS LTD.		
VTECH PDLi MK3 KEYPAD, LED PCB 65-4524-00-01		VTN CAN PRC0000GM
DR: KENNY CHEUNG	CHK: 45240001.SCH	APPR: DATE: JUNE 11/99
		SHEET : 1 OF 1

6

5

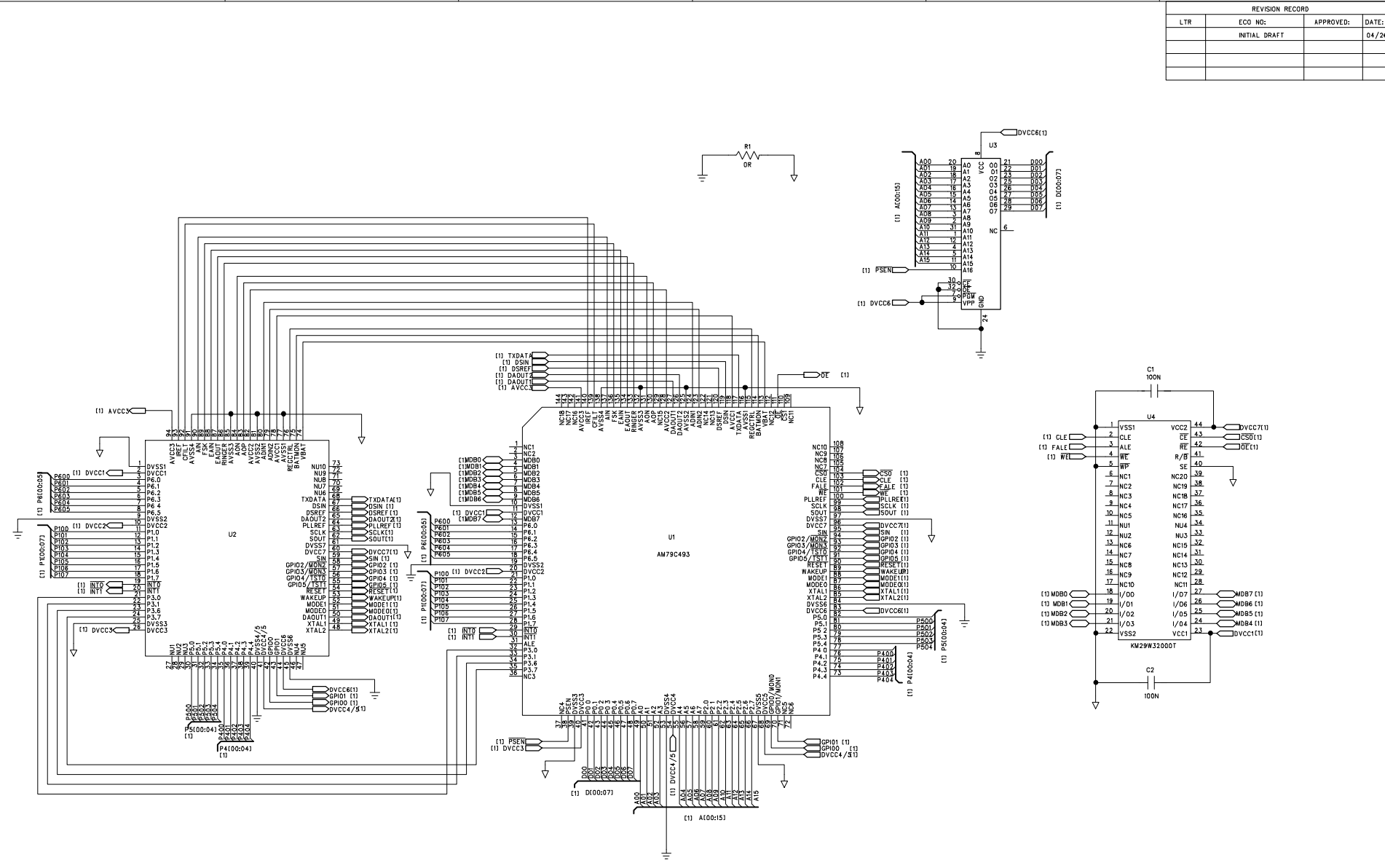
4

3

2

1

REVISION RECORD			
LTR	ECO NO:	APPROVED:	DATE:
	INITIAL DRAFT		04/26/99



<b>VTECH</b> VTECH COMMUNICATIONS LTD.			
VTECH PDLc MK3		VTN CAN	
ASIC CARRIER BOARD		PRC00GP	
P/N: 65-4528-00-00			
DR: KENNY CHEUNG	CHK:	APPR:	
DR: 4528000 SCH	DATE: APRIL 26/99	SHEET: 1 OF 1	