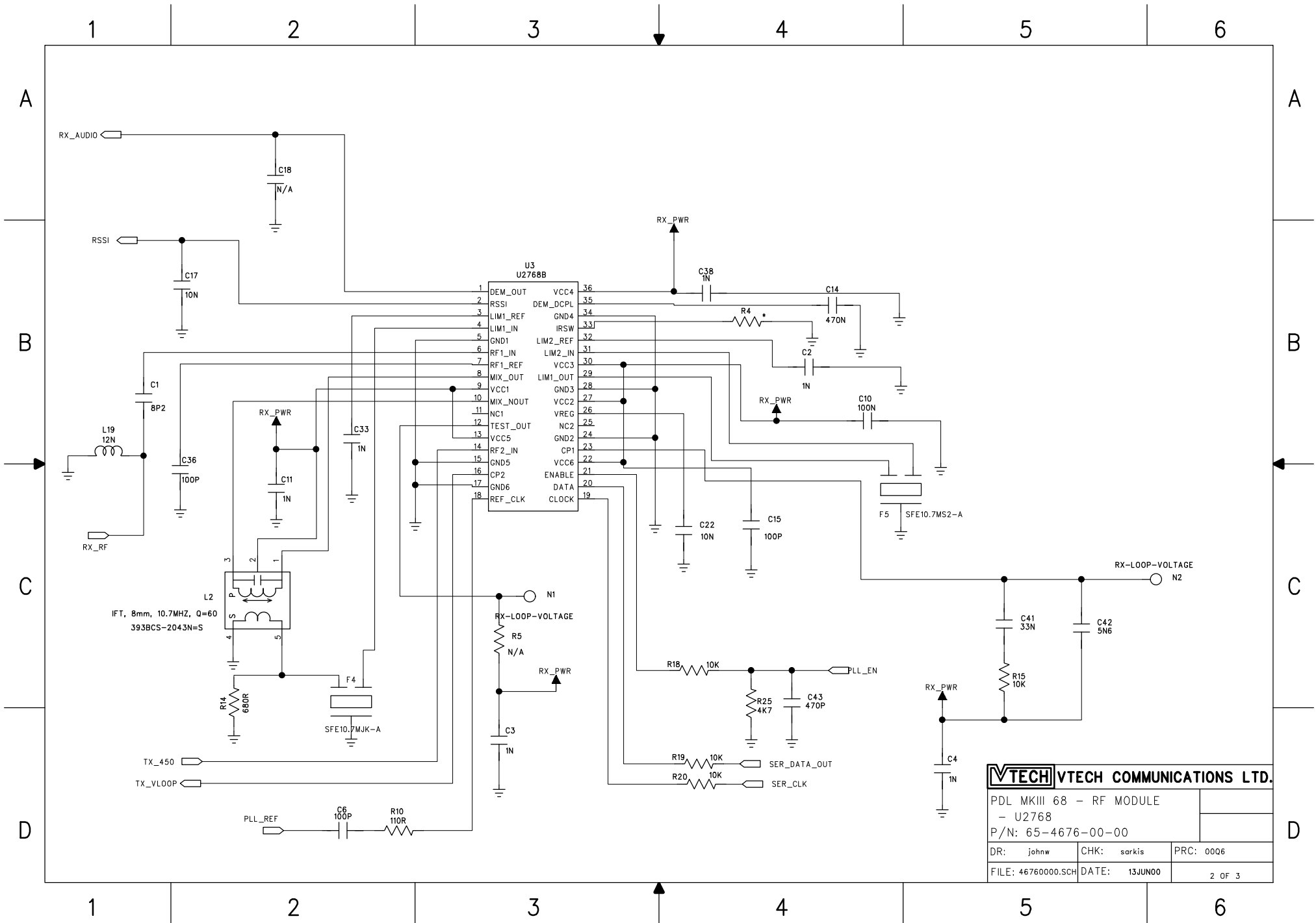


VTECH VTECH COMMUNICATIONS LTD.		
PDL MKIII 68 - RF MODULE		
DUPLEXER, TX VCO		
P/N: 65-4676-00-00		
DR: johnW	CHK: sarkis	PRC: 0006
FILE: 46760000.SCH	DATE: 13JUN00	1 OF 3



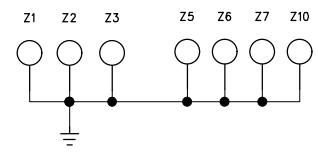
VTECH VTECH COMMUNICATIONS LTD.

PDL MKIII 68 - RF MODULE		
- U2768		
P/N: 65-4676-00-00		
DR: johnw	CHK: sarkis	PRC: 0006
FILE: 46760000.SCH	DATE: 13JUN00	2 OF 3

ECO#	MODEL	DESCRIPTION	ORIGIN	DATE	PCB File#

* SHARED COMPONENTS												
MODELS	R88 1	R89 2	R90 3	R91 4	Y1	Y6	F6	C52	C54	R4	R46	
SONY MK3_68-H/S	0R	N/U	N/U	N/U	CAP 2p2	IND 10NH	L974A	12p	1p0 ***	0R	1k8 1x	
SONY MK3_68-BASE	N/U	0R	N/U	N/U	IND 15NH	IND 39NH	L975A	12p	1p0 ***	N/A	2k2 1x	

*** COMPONENT VALUES DEPEND ON PCB VENDOR.
REFER TO APPROPRIATE ECO.



VTECH VTECH COMMUNICATIONS LTD.		
PDL MKIII - RF MODULE		
SHARED COMPONENTS & ECO TABLES		
P/NO: 65-4676-00-00		
DR: johnw	CHK: sarkis	PRC: 0006
FILE: 46760000.SCH	DATE: 13JUN00	3 OF 3