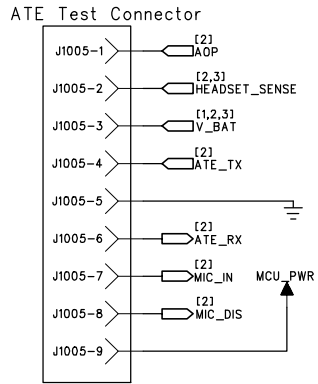
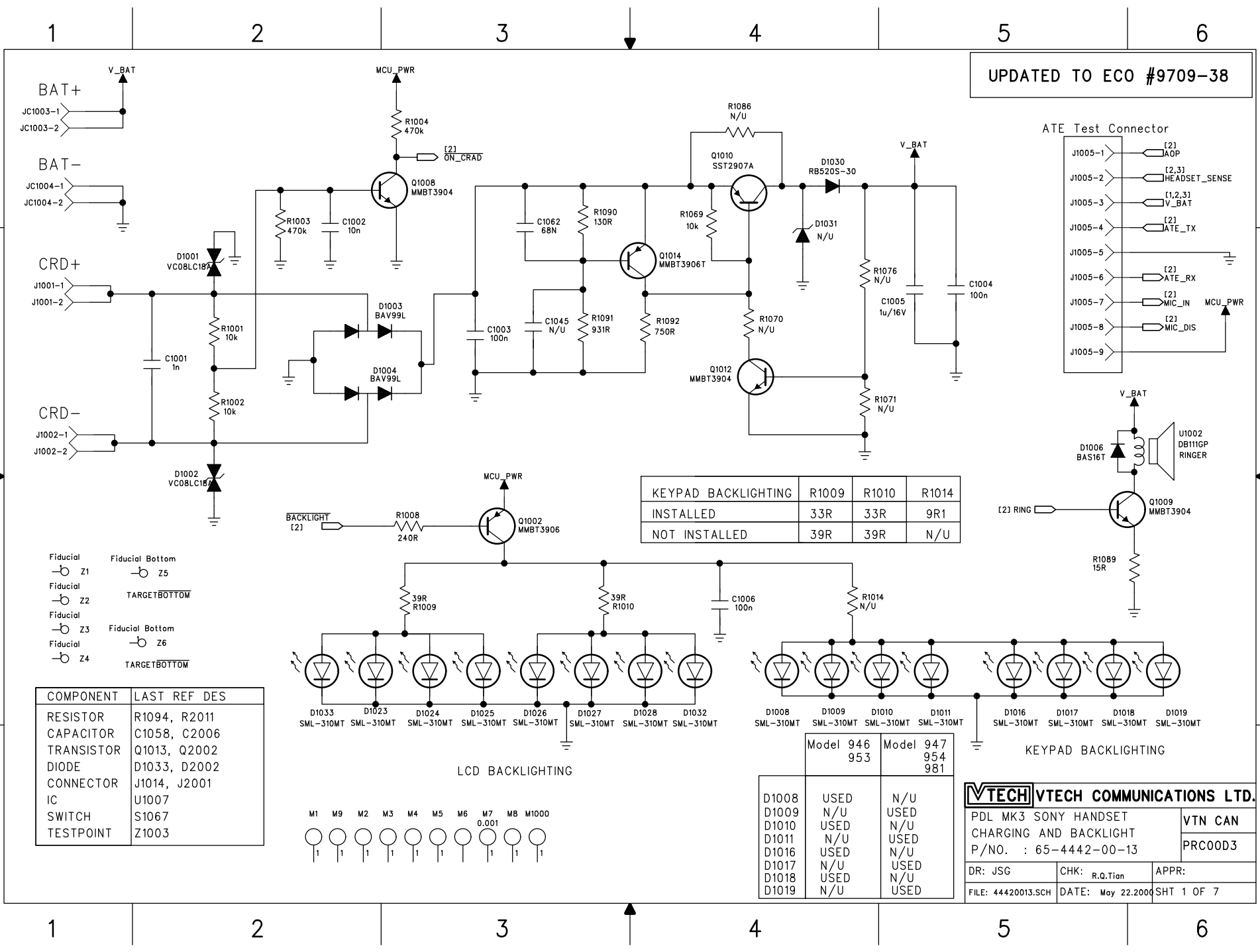


UPDATED TO ECO #9709-38



KEYPAD BACKLIGHTING	R1009	R1010	R1014
INSTALLED	33R	33R	9R1
NOT INSTALLED	39R	39R	N/U

	Model 946 953	Model 947 954 981
D1008	USED	N/U
D1009	N/U	USED
D1010	USED	N/U
D1011	N/U	USED
D1016	USED	N/U
D1017	N/U	USED
D1018	USED	N/U
D1019	N/U	USED

VTECH VTECH COMMUNICATIONS LTD.

PDL MK3 SONY HANDSET CHARGING AND BACKLIGHT

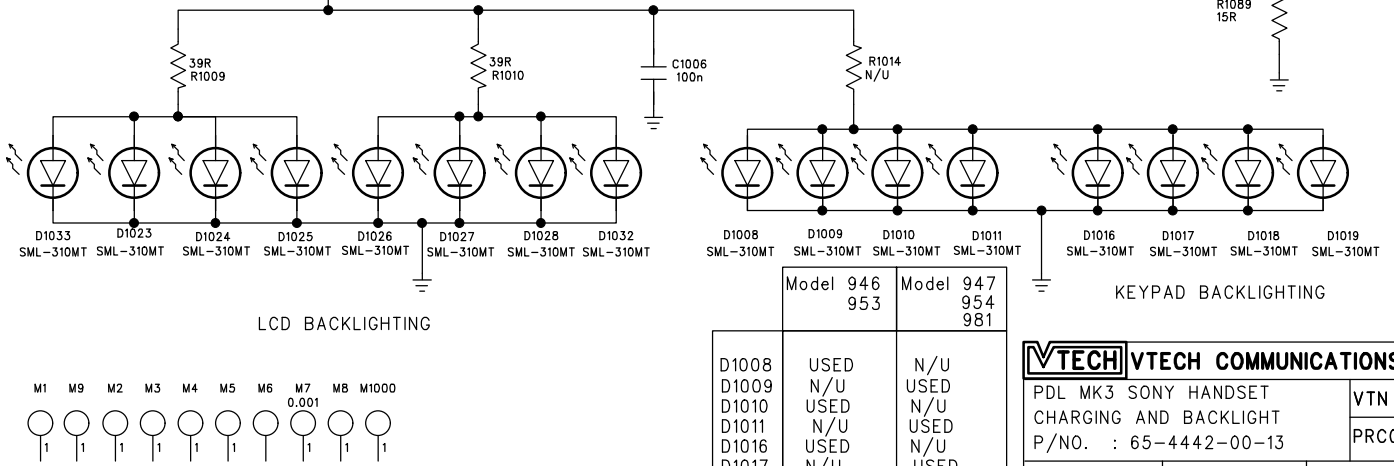
P/NO. : 65-4442-00-13

DR: JSG CHK: R.Q.Tian APPR:

FILE: 44420013.SCH DATE: May 22, 2006 SHT 1 OF 7

- Fiducial - Z1 Fiducial Bottom - Z5
- Fiducial - Z2 TARGETBOTTOM
- Fiducial - Z3 Fiducial Bottom
- Fiducial - Z4 TARGETBOTTOM

COMPONENT	LAST REF DES
RESISTOR	R1094, R2011
CAPACITOR	C1058, C2006
TRANSISTOR	Q1013, Q2002
DIODE	D1033, D2002
CONNECTOR	J1014, J2001
IC	U1007
SWITCH	S1067
TESTPOINT	Z1003

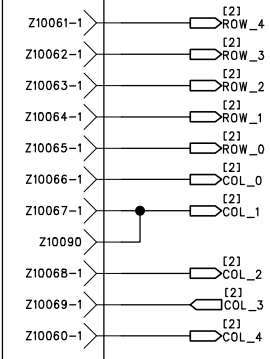


1 2 3 4 5 6

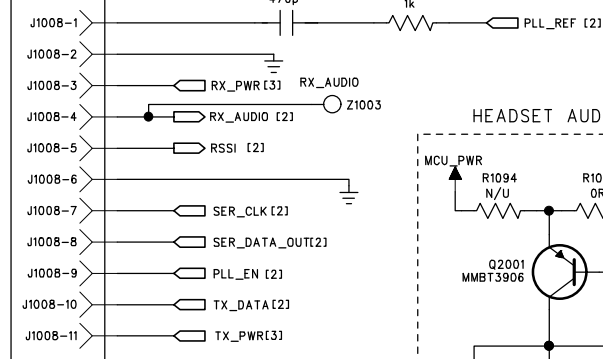
A

A

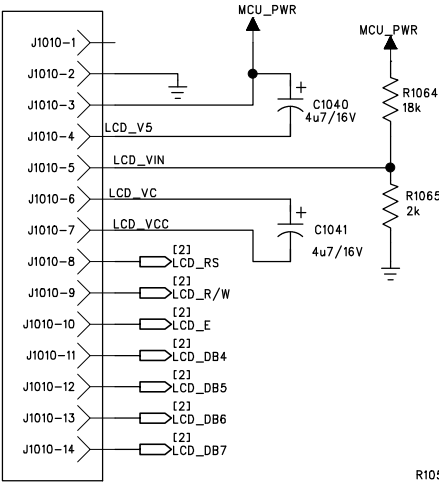
Keypad Interface



RF Interface

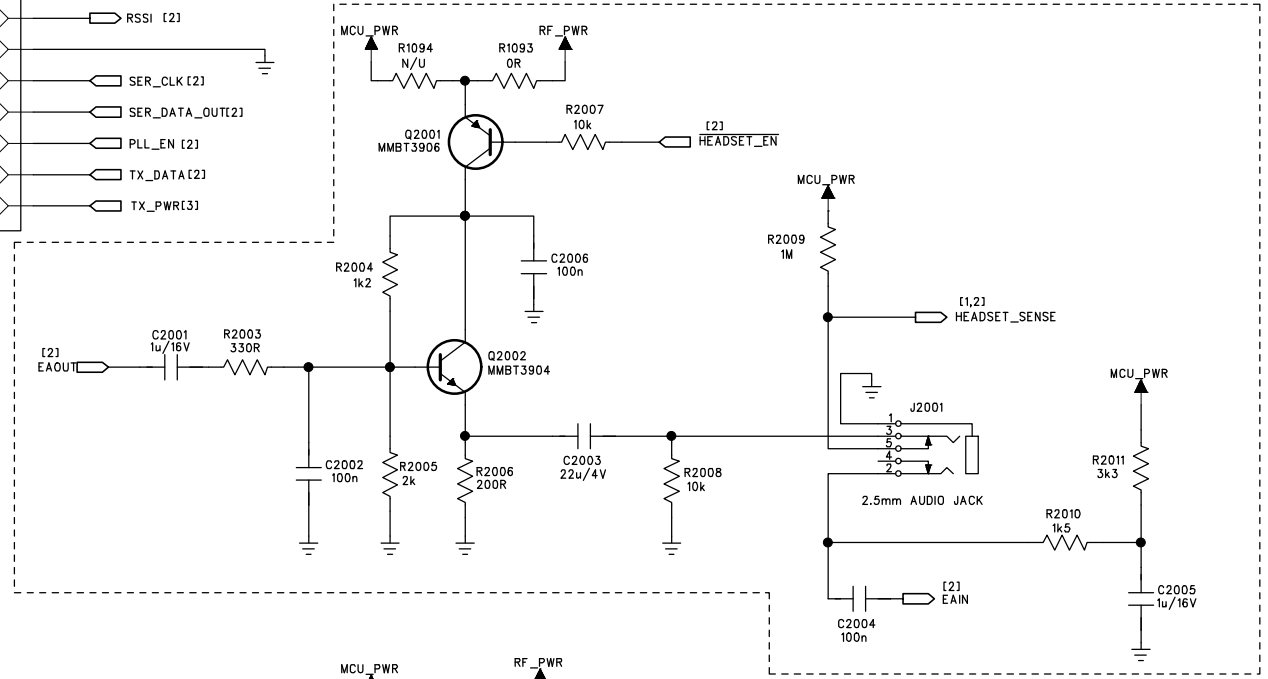


LCD CONNECTOR
CE-235



HEADSET AUDIO CONTROL CIRCUIT

NOT USED ON 946, 947 & 953

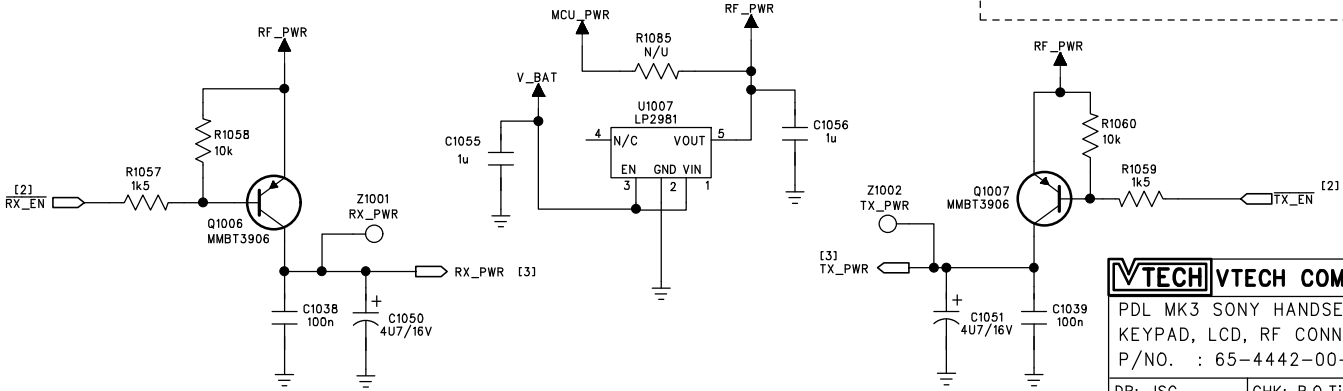


B

B

C

C



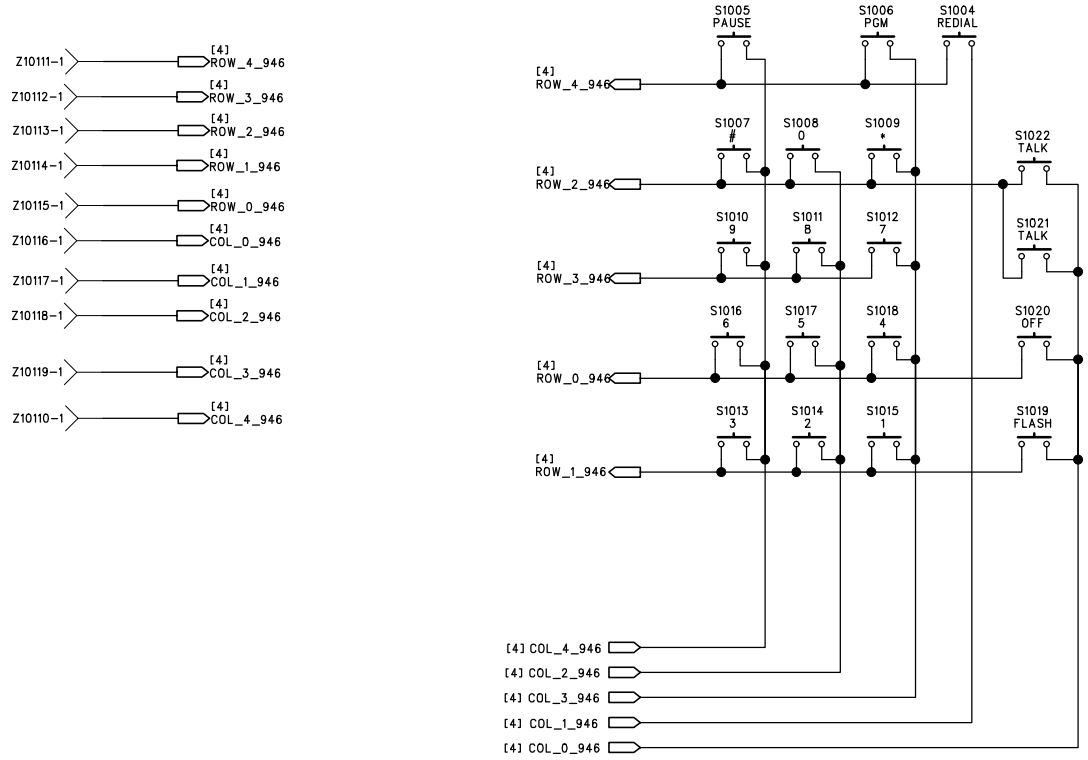
D

D

VTECH COMMUNICATIONS LTD.		
PDL MK3 SONY HANDSET KEYPAD, LCD, RF CONNECTORS P/NO. : 65-4442-00-13		VTN CAN PRC00D3
DR: JSG	CHK: R.Q.Tian	APPR:
FILE: 44420013.SCH	DATE: May 22.2000	SHT 3 OF 7

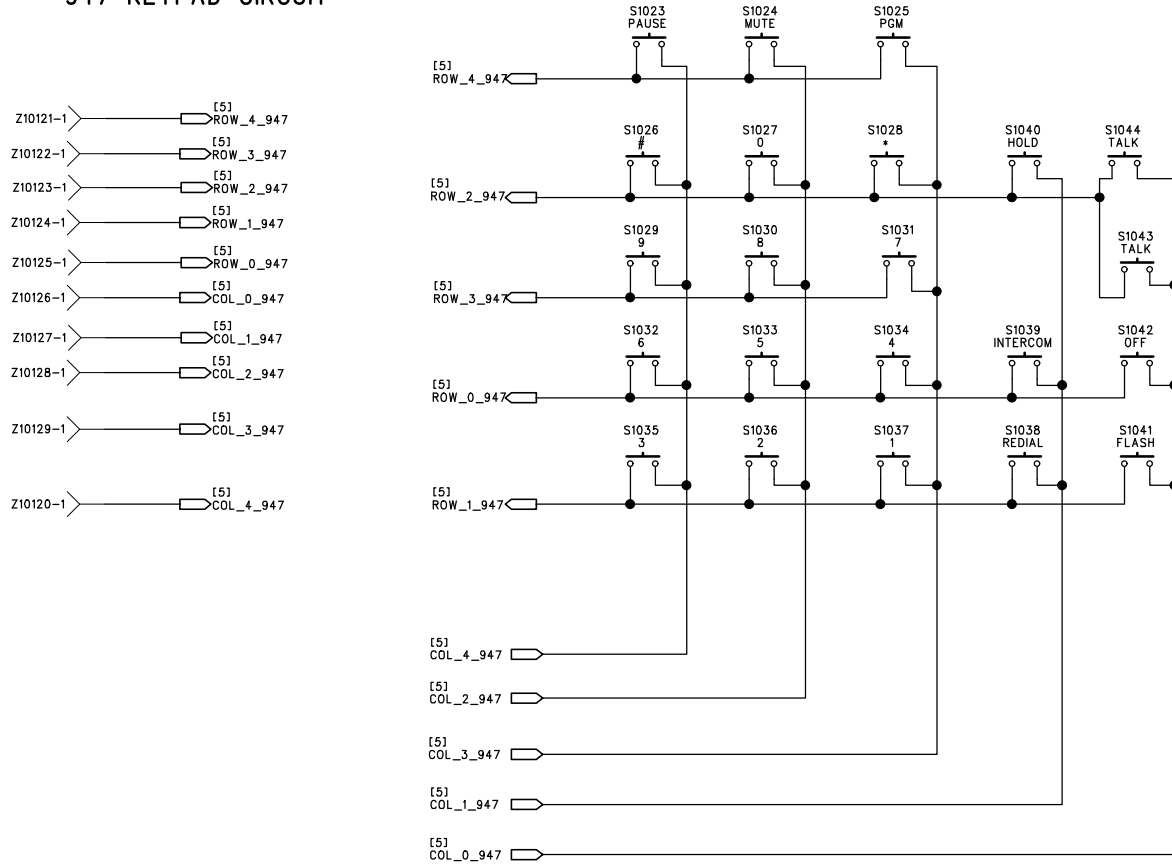
1 2 3 4 5 6

946/953 KEYPAD CIRCUIT



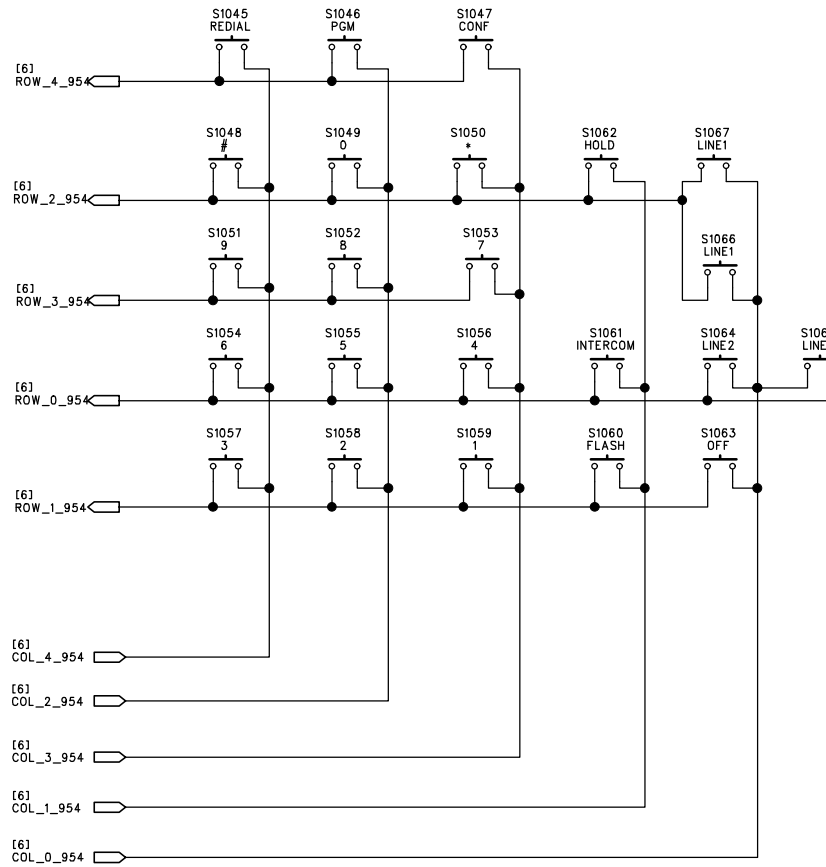
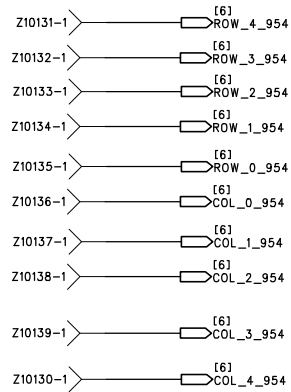
VTECH VTECH COMMUNICATIONS LTD.		
PDL MK3 SONY HANDSET 946 AND 953 KEYPADS		VTN CAN
P/NO. : 65-4442-00-13		PRC00D3
DR: JSG	CHK: R.Q.Tian	APPR:
FILE: 44420013.SCH	DATE: May 22.2000	SHT 4 OF 7

947 KEYPAD CIRCUIT



VTECH VTECH COMMUNICATIONS LTD.		
PDL MK3 SONY HANDSET 947 KEYPAD P/NO. : 65-4442-00-13		VTN CAN PRC00D3
DR: JSG	CHK: R.Q.Tian	APPR:
FILE: 44420013.SCH	DATE: May 22.2000	SHT 5 OF 7

954/981 KEYPAD CIRCUIT



VTECH VTECH COMMUNICATIONS LTD.		
PDL MK3 SONY HANDSET 954 AND 981 KEYPADS P/NO. : 65-4442-00-13		VTN CAN PRC00D3
DR: JSG	CHK: R.Q.Tian	APPR:
FILE: 44420013.SCH	DATE: May 22.2000	SHT 6 OF 7

1

2

3

4

5

6

A

A

B

B

C

C

D

D

ECO#	MODEL	DESCRIPTION	ORIGIN	DATE	SCH FILE#
9709-02	ALL H/S	Pre-PA release	JSG	3/10/99	44420003
9709-03	ALL H/S	Added RF Reg, pull-ups on LCD lines changed leds current source values, caps for xtal tuning... and BOM corrections	JSG	3/20/99	4442004A
9812-05	947 H/S	Added keypad backlight LEDs (missing on BOM)	JSG	3/22/99	4442004A
9709-05	946 & 953 H/S	Added keypad backlight LEDs (missing on BOM)	JSG	3/22/99	4442004A
9709-06	ALL H/S	Added 15k between VBAT and MCU_PWR changed C1017 from 10n to 22n	JSG	3/24/99	4442004A
9709-09	ALL H/S	RF reg removed, xtal changed to 18.4MHz mic changed to CMP-58H, led constant current source changed...	JSG	4/28/99	44420005
9709-12	ALL H/S	Changed R1079 from 20R to 10R Changed backlight leds from SML-210MT to SML-310MT	JSG	5/5/99	4442005A
9709-15	ALL H/S	RF_regulator added	JSG	5/7/99	4442005B
9709-19	ALL H/S	Removed pull ups on rotary switch and LCD control lines	JSG	5/11/99	4442005B
9709-20	ALL H/S	R1079 changed from 10R to 0R	JSG	5/11/99	4442005B
9709-22	ALL H/S	Added 2 LCD backlight LEDs , 1uF caps added around RF regulator, R1009, R1010, R1054, R1073, R1014 and R1079 changed	JSG	5/19/99	44420006
9709-26	ALL H/S	Added 470k res on E2 pins Changed C1006 from 10n to 100n	JSG	6/7/99	44420006
9709-27	ALL H/S	Changed R1086 from n/u to 200k	JSG	6/10/99	44420006
9709-32	ALL H/S	C1028 changed from 10p tp 12p	JSG	7/7/99	4442006A
9709-33	ALL H/S	Backlighting circuit Res. value change	JSG	7/15/99	4442006B 4442007A
9709-36	ALL H/S	Ringer Circuit Changed: In air mod added.	JSG	9/23/99	4442007B
9709-37	ALL H/S	Ringer Circuit Changed: PCB updated. New Bat detect Circuit Added PCB changes on keypad & crystal pads	JSG	10/19/99	44420008
9709-38	ALL H/S	LCD connector changed	JSG	10/20/99	44420009

1

2

3

4

5

6



ENGINEERING CANADA LTD.
TELECOM DIVISION

P/N : 65-4442-00-13		PRC 00D3
		SONY PDL MK3
SONY PDL MK3 HANDSET		44420013.SCH
		4442-13.PCB
CHK: R.Q.Tian	APPR:	DATE: 05/22/00
DATE: May 22.2000	DATE:	SHEET 7 OF 7